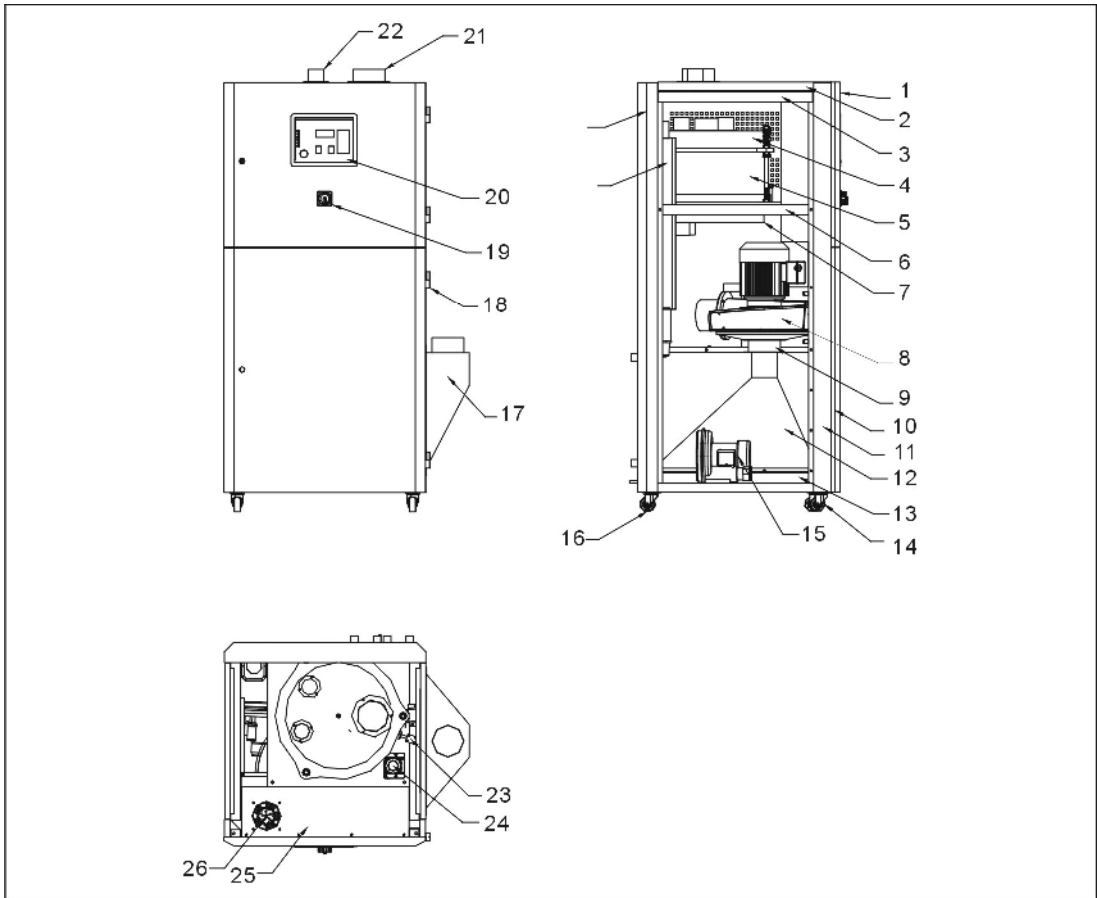


## 2.3 Drawing and Parts List

### 2.3.1 Structural Drawing

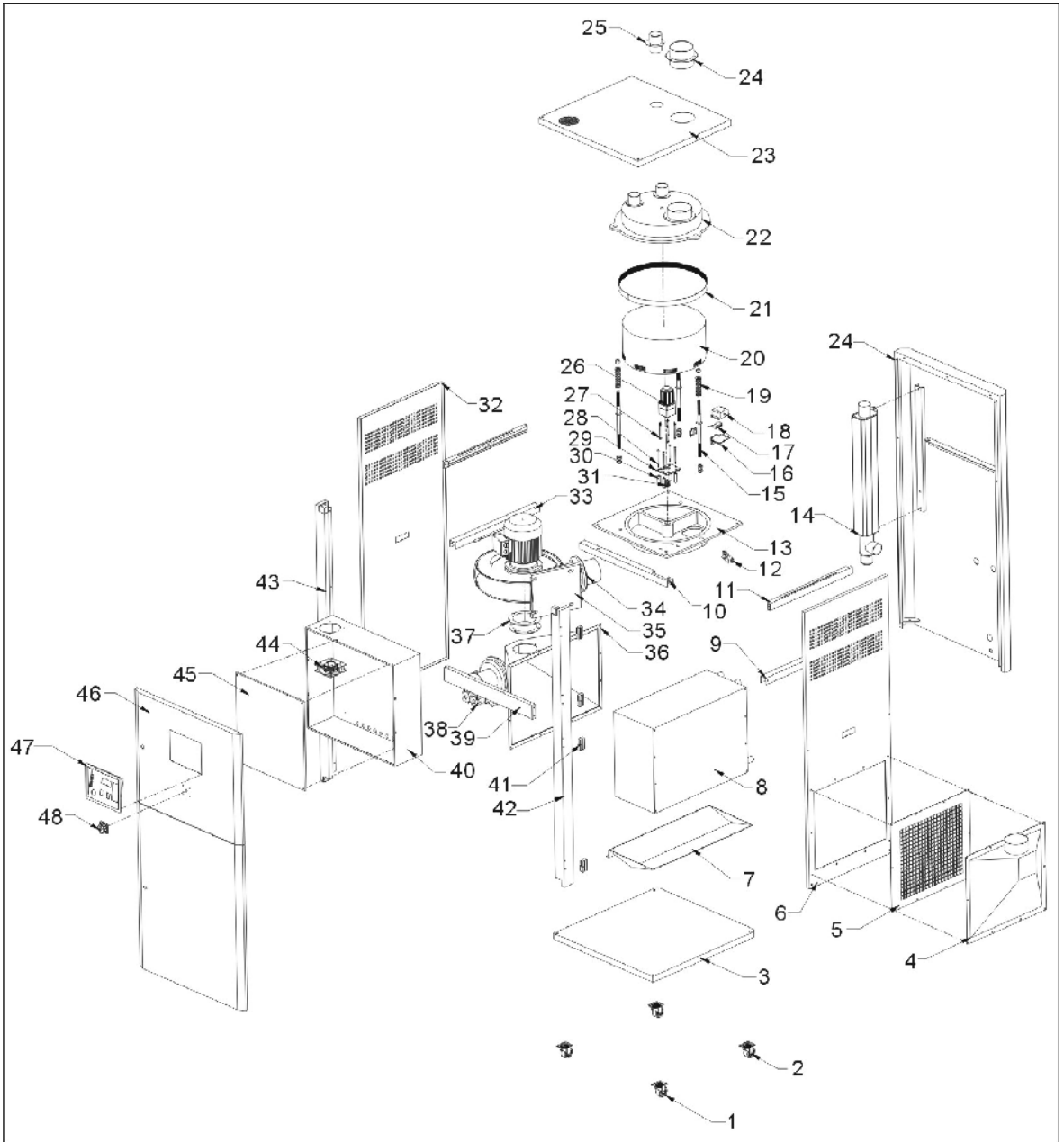


Parts name:

- |                              |                        |                                 |
|------------------------------|------------------------|---------------------------------|
| 1. Upper door plate          | 2. Top board           | 3. Side fixed plate             |
| 4. Honey comb upper lid      | 5. Honeycomb           | 6. Left middle beam             |
| 7. Honey comb lower lid      | 8. Process blower      | 9. Circulation air inlet flange |
| 10. Lower door plate         | 11. Front erect post   | 12. Air collection hood         |
| 13. Dew channel              | 14. Caster             | 15. Regeneration blower         |
| 16. Brake truckle            | 17. Backing air hood   | 18. Hinge                       |
| 19. Main power supply switch | 20. Control panel.     | 21. Drying air outlet           |
| 22. Regenerating air outlet  | 23. Belt adjustor      | 24. Decreasing motor            |
| 25. Control box              | 26. Air exhausting fan |                                 |

Picture 2-2: Structural Drawing

### 2.3.2 Assembly Drawing



Remarks: Please refer to material list 2.5.3 for specific explanation of the Arabic numbers in parts drawing.

Picture 2-3: Assembly Drawing

### 2.3.3 Parts List

Table 2-1: Parts List

No.	Description	Part No.			
		SMD-500H	SMD-1000H	SMD-1500H	SMD-2000H
1	Movable truckle	YW03000300200	YW03000300000	YW03000400200	YW03000400200
2	Brake truckle	YW03000300000	YW03000400000	YW03000400000	YW03000400000
3	Base plate	BL09050002020	BL09100002020	BL09150003520	BL09200003320
4	Return air cover	BL09050001420	BL09100001420	BL09150002220	BL09200001620
5	Outer cover of returning air filter**	BL09050001520	BL09100001520	BL09150002320	BL09200001720
6	Right side plate	BL09050000320	BL09100002720	BL09150001120	BL09200000420
7	Dew draining groove	BL09050001020	BL09100043320	BL09150001920	BL09200004320
8	Condenser	YW88050000000	YW88100000000	YW88150000000	YW88200001400
9	Right middle beam	BL09050000020	BL09100040820	BL09150001020	BL09200003420
10	Front beam	BL09050000820	BL09100003220	BL09150002920	BL09200000720
11	Side fixation beam	BL09050002220	BL09100002220	BL09150003720	BL09200001820
12	Belt adjustor	BH10005000040	BH10005000040	BH10005000040	-
13	Honeycomb base cover	BA40050000010	BA40100000110	BA40150050010	BH11200010110
14	Regeneration electric heater*	BH70200400050	BH70501000050	BH70151500050	BH70202000050
15	Two heads screw	BH10163500110	BH10163500110	BH10543000010	BH10543000010
16	Minitrim switch fixation seat (right bigger one)	YR40000100200	YR40000100200	YR40000100200	YR40000100200
17	Minitrim switch SM 1790*	YE14152400000	YE14152400000	YE14152400000	YE14152400000
18	SAL minitrim switch box	YR40000600600	YR40000600600	YR40000600600	YR40000600600
19	Spring	YW01180300000	YW01180300000	YW01180300000	YW01180300000
20	Honeycomb	YW71352000100	YW71442000100	YW71553000100	YW71650300000
21	Synchronic belt**	YR00204700000	YR00205800000	YR00305800000	YR00358600000
22	Top cover of honeycomb	BA40050000110	BA40100000310	BA40150000010	BH11200010410-
23	Top plate	BL09050001720	BL09100001720	BL09150002720	BL09200002420
24	Air outlet flange	BL09050002120	BL09100002120	BL09150002620	-
25	Regeneration air outlet	-	-	-	-
26	Decreasing motor	YM50512600000	YM50512600000	YM50512600000	-
27	Inner hexagon screw	-	-	-	-
28	Inner hexagon screw	-	-	-	-
29	Decreasing motor fixation plate	BL31000010120	BL31000010120	BL31000010120	BH10200003710
30	Localization pipe	BH13040003710	BH13040003710	BH13040003710	BH13200003610
31	Synchronic wheel	YR00103400000	YR00103400000	YW08001900000	BW08000700010
32	Left side plate	BL09050000120	BL09100040520	BL09150000120	-

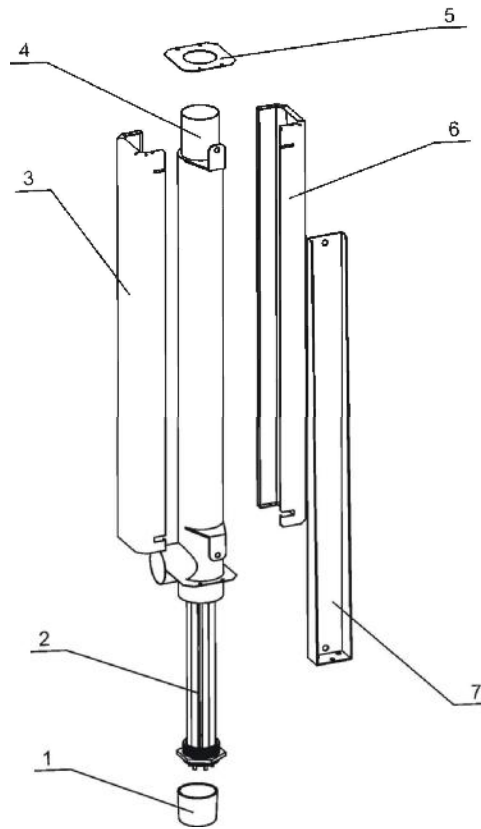
No.	Description	Part No.			
		SMD-500H	SMD-1000H	SMD-1500H	SMD-2000H
33	Left middle beam	BL09050000020	BL09100040820	BL09150000620	-
34	Circulation fan outlet flange	BL09050000520	BL09100002920	BL09150000820	BL09200003620
35	Dry fan*	YM30075000100	BM30152300050	BM30224000050	BM30224000050
36	Air collection hood	BL09050001320	BL09100001320	BL09150002120	BL09200001520
37	Circulation fan inlet flange	BL09050000420	BL09100002820	BL09150000920	BL09200003520
38	Regeneration fan*	BM30020500050	BM30031000150	YM30020000000	YM30230150000
39	Support beam	BL09050000220	BL09100002620	BL09150000720	BL09200000320
40	Control box	BL09050001120	BL09100003420	BL09150002020	BL09200001120
41	Hinge	YW06203100200	YW06203100200	YW06203100200	YW06203100200
42	Front erect post(right)	BL09050000920	BL09100041320	BL09150001820	BL09200000820
43	Front erect post(left)	BL09050000920	BL09100041220	BL09150001820	BL09200000820
44	Air exhausting fan*	YM60121200400	YM60121200400	YM60121200400	YM60121200400
45	Electric appliance installation board	BL09050001920	BL09100043720	BL09150002820	BL09200002620
46	Upper door plate	BL09050000720	BL09100040220	BL09150000220	BL09200000220
47	Control panel	YR40000400400	YR40000400400	YR40000400400	YR40000400400
48	Main power supply switch*	YE10200300000	YE10210300000	YE10250400000	YE10250400000

\* means possible broken parts.

\*\* means easy broken part. and spare backup is suggested.

Please confirm the version of manual before placing the purchase order to guarantee that the item number of the spare part is in accordance with the real object.

### 2.3.4 Pipe Heaters

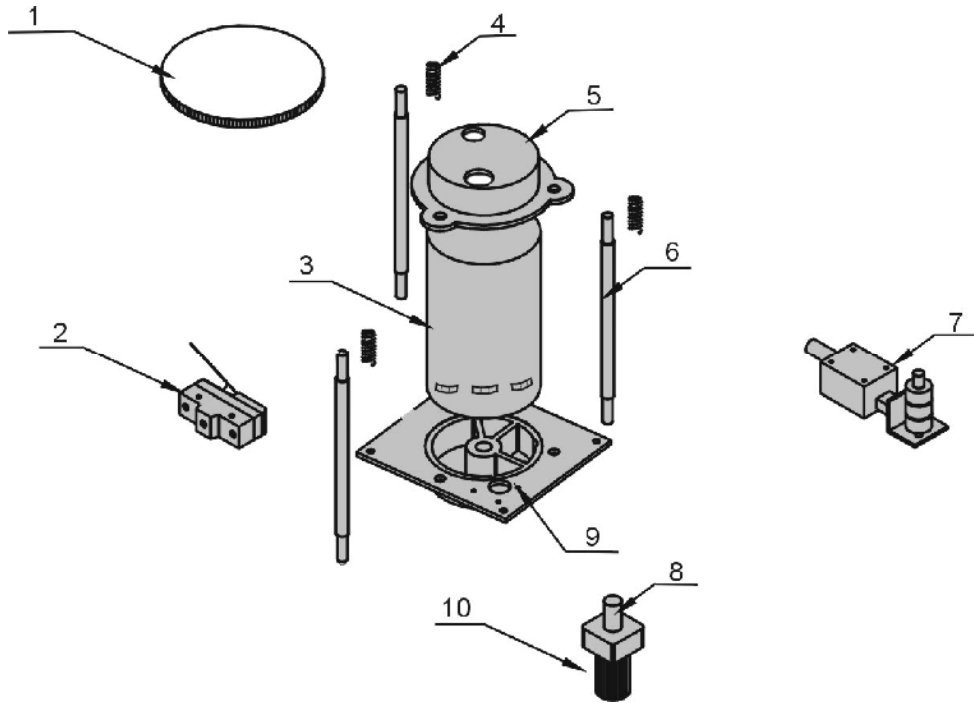


Parts name:

- |                        |                       |                           |
|------------------------|-----------------------|---------------------------|
| 1. Electric wood cover | 2. Pipe heater        | 3. Heater wrapper sheet 1 |
| 4. Heating tank        | 5. Heater cover plate | 6. Heater wrapper sheet 2 |
| 7. Heater fixed seat   |                       |                           |

Picture 2-4: Pipe Heaters

### 2.3.5 Honeycomb



Parts name:

- |                         |                        |                  |           |
|-------------------------|------------------------|------------------|-----------|
| 1. Transmission belt    | 2. Microswitch         | 3. Honeycomb     | 4. Spring |
| 5. Honeycomb cap        | 6. Bolt with two heads | 7. Belt adjuster | 8. Wheel  |
| 9. Honeycomb bottom cap | 10. Gear motor         |                  |           |

Picture 2-5: Honeycomb