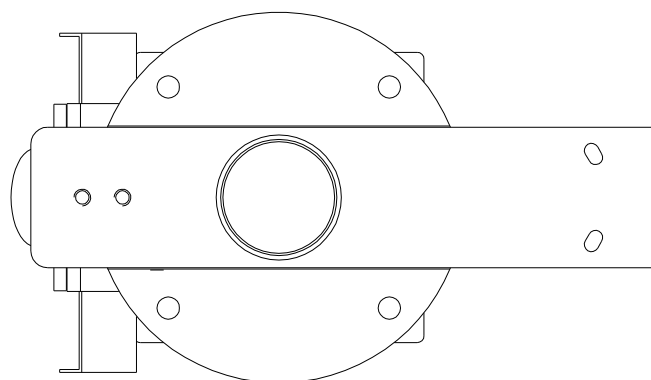
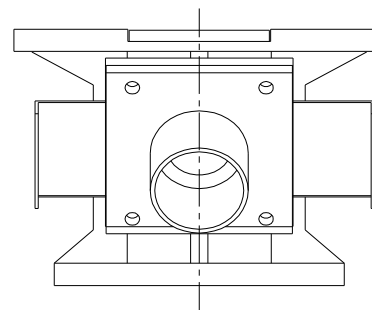
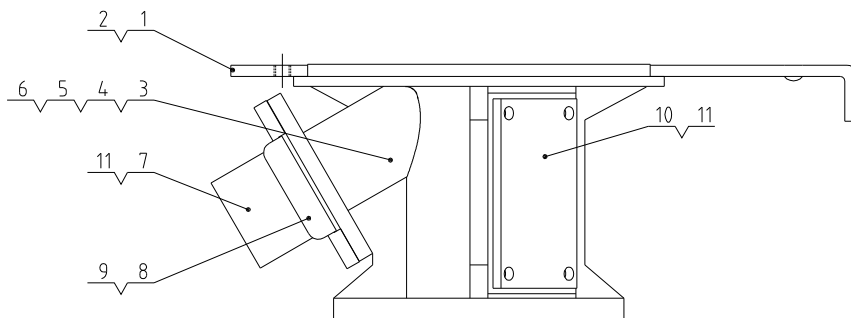


No.	Part Name	Material	Quantity	Remarks	Blower power	Inlet pipe diameter	Outlet pipe diameter	Heater power	Hopper capacity	Ver.
					0.1KW	2inch	1.5inch	2.2KW	20L	Ver.F
47	SHD-20U-A-4-2	Heating Box Air Outlet Flange		1						
46	YW690501000000	Open Top Flat Head Hex Head Bolt M12 X 35		6						
45	YW020030004000	Adjustable Spring Buckle SLL-40-A-35		3						
44	YR100612000000	Inlet Pipe Fastener SLL-60-A-15	SUS304	1						
43	YW640407001000	Hex-Head Bolt Hexagon Nut M12 X 30		4						
42	SHD-20U-A-20	Exhaust Air Pipe	Assembly	1						
41	SHD-20U-A-12	Inlet Sealing Plate	Assembly	1						
40	YE900555013000	Thermocouple 5X55LX10X1.1M	Assembly	1						
39	YW020025000000	Stainless Steel Hex Clamp 1.5 Inch (4-18M)		2						
38	YW720236000000	1 Inch Rubber-Layer Flat Heat-Resistant Air Pipe		0.112						
37	BW722037000010	Insulated Heat-Resistant Air Pipe SDD-200-A-3		1						
36	YW660819000000	Flat Washer 8X19X2.0		4						
35	YW650080001000	Standard Spring Washer GR/T 93 8	EGO assembly	12						
34	YP602520000000	Open End Cold Lead Rubber Seal Cover Flat Head Screw		0.05						
33	YW680810000000	Hexagon Head Flat Head Flat Head Screw GR/T 17 M3 X 6		2						
32	SHD-20U-A-11	Lower Blowing Air Pipe		1						
31	SHD-20U-A-13	Sight Door Component No.1	SUS201	1						
30	BR902040000010	Sight Door Glass SDD-20U-A-34	Acrylic	1						
29	YW674819000000	Cover Head for Flat Head Hex Head Bolt M12 X 35		4						
28	YW660618000000	Large Grade A Washer GR/T 96.1 6		4						
27	YW650060000100	Standard Spring Washer GR/T 93 6		4						
26	YW610620003000	Hexagon Head Flat Head Screw GR/T M12 X 30-3.0		4						
25	SHD-20U-A-16	External Hopper	SUS201	1						
24	YW670508000000	Cover Head for Flat Head Hex Head Bolt M12 X 35		6						
23	BL030000401020	Cable Clamp Fixing Plate PCL1.5 30-3-10	SPCC2.0	1						
22	YE672015000100	Hex-Head Flat Head Flat Head Screw GR/T M3 X 6		1						
21	YP628201400000	Flanged Flat Head Hex Head Screw M12 X 30		0.017						
20	YW620515000000	Cover Head for Flat Head Hex Head Bolt M12 X 35		2						
19	SHD-20U-A-45	Hot Air Pipe	EGO assembly	1						
18	BR101401001110	Heating Box Fastener 4140X110		1						
17	BH702022000050	Pipe Heater SHD-20U	EGO assembly	1						
16	SHD-20U-A-33	Control Box Bottom Plate	SBCC1.5	1						
15	SHD-20U-A-32	Control Box Door	SPCC1.2	1						
14	SHD-20U-A-31	Control Box Body	SPCC1.2	1						
13	YW640006003000	Hexagon Nut GR/T 6170 M6		4						
12	YR300000001000	Large SDD Rubber Plug SDD-20U-A-39	Rubber	4						
11	SHD-20U-A-08	External Heating Box	SPCC1.5	1						
10	YW620510000100	Cover Head for Flat Head Hex Head Bolt M12 X 35		8						
9	SHD-20U-A-05	Heating Box Cover	SPCC1.5	1						
8	YW660816000000	Grade A Flat Washer GR/T 92.1 8.4X16X1.0		8						
7	YW600825000100	Hexagon Head Bolt GR/T 5703 M8X25-12.9		12						
6	YM401512041000	Aluminum Coating Pen 1.5 Inch (120)	EGO assembly	1						
5	SHD-20U-A-04	Insulation Board	SUS304	1						
4	YW690504000000	Open Type Flat Head Hex Head Blind Rivet	SUS304	20						
3	SHD-20U-A-06	Storage tank	SUS201	1						
2	YR100025001000	Cover Fastener SHD-25		1						
1	SHD-20U-A-15	Hopper Cover	SUS304	1						

* means possible broken parts
 ** means easy broken part and spare backup is suggested
 Please confirm the version of manual before placing the purchase order to guarantee that the item number of the spare part is in accordance with the real object.

标记	更改前	更改后	更改人	日期	制图	设计	校对	审核	版号	L	标题	图号	比例	数量	备注
											SHD-20U 欧化料斗干燥机	SHD-20U-A-ALL	1:6	1	
											SHINI 信易电热机械股份有限公司 Shini Plastics Technologies, Inc.	表面要求			
													物料号		
									日期	20081201					

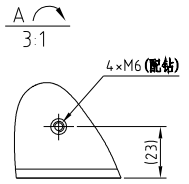
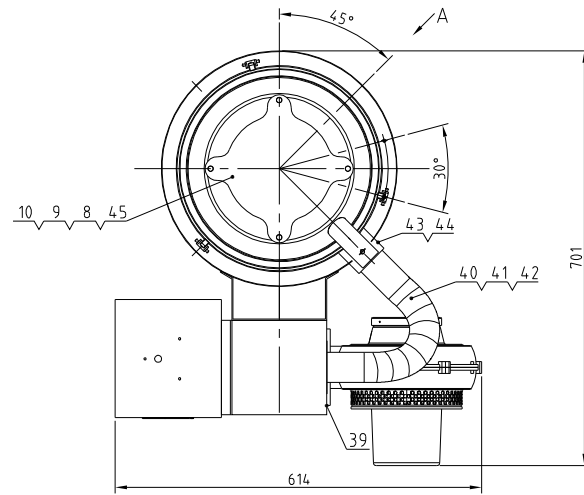
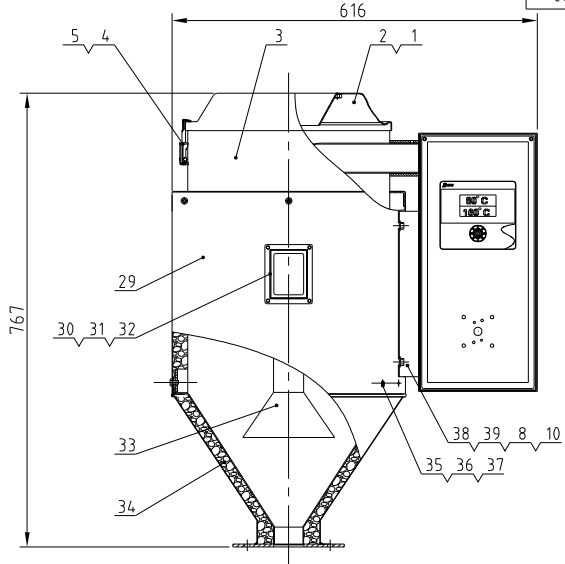
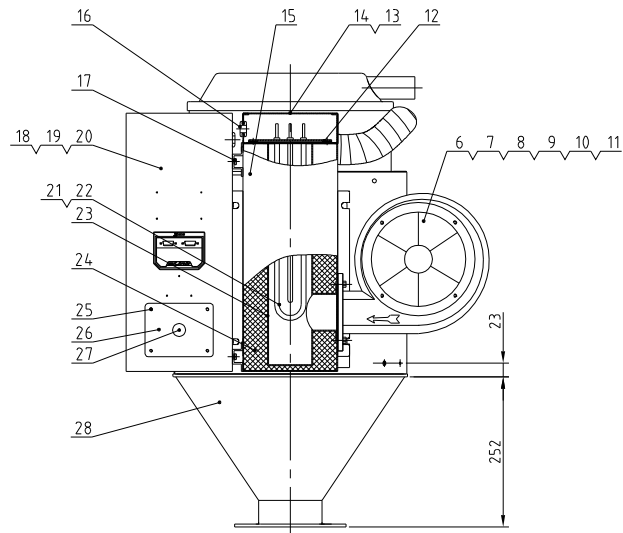


11	YW67041200600	Cross Recessed Pan Head Self-Locking Tapping Screw GB 680 M5X12	8		
10	YR90854800000	Four-hole Sight Window 85X48X5mm	1	*	
9	YW69616100000	Thumb Screw M6X16X16	1		
8	YW09125000000	Small Material Shutoff Plate 85-2450, Thickness 1.4mm	1		
7	BA10500300110	Material Discharge Port SMD-50-ALL-78 Version 0	1		
6	YW66082200100	Large C-Class Washer GB/T 968 (3.4X24X2)	4		
5	YW65008000100	Standard Spring Washer GB/T 93 8	4		
4	YW60083500000	Hexagon Head Bolt GB/T 5781 M6X35-4.8	4		
3	BA20125001510	Standard Base HB-12-A-01	1		
2	YW61061001800	Hexagon Socket Head Cap Screw GB/T 70.1 M6X18-8.8 (S5)	1		
1	YW07001200000	Large Material Shutoff Plate HB-12-A-02	1		
序号	代号	名称	材质	数量	备注

"*"Indicates the items that may be damaged; "x" indicates the items that are more likely to be damaged
 It is recommended to back them up.
 Please confirm the version number of the instruction manual before placing an order to purchase spare parts, so as to ensure that the material number of spare parts is consistent with the physical one

					制图		版号	0	标题	HB-12	图号	比例	1:3	数量	1
					设计		核 准		标准底座	HB-12-A-ALL		材质	/		
				校对		表面要求		/							
标记	更改前	更改后	更改人	日期	审核		日期	20260312	信易電熱機械股份有限公司 Shini Plastics Technologies, Inc.		物料号	BY10012003150			

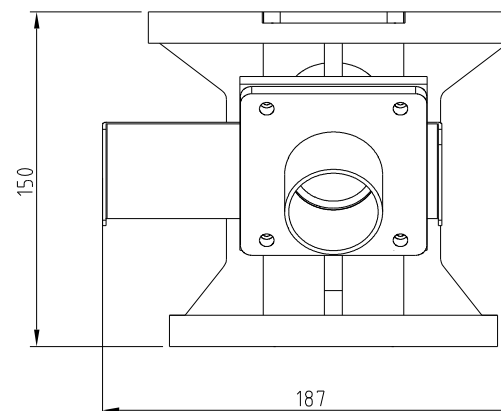
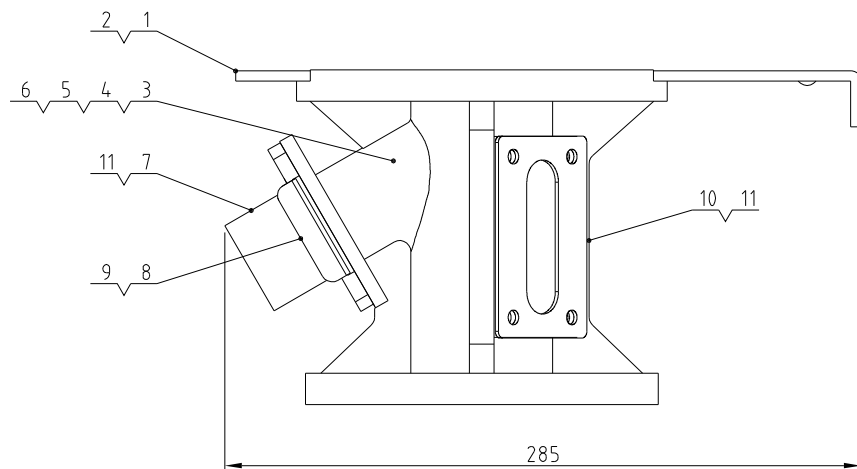
Blower power	Inlet pipe diameter	Outlet pipe diameter	Heater power	Hopper capacity	Ver.
0.12KW	2inch	1.5inch	3KW	40L	Ver.F



× means possible broken parts.
 xx means easy broken part, and spare backup is suggested
 Please confirm the version of manual before placing the purchase order to guarantee that the item number of the spare part is in accordance with the real object.

45	BL0220124-04-20	Inlet Sealing Plate SHD-200-A-12		1	
44	YW68081000000	Hexagon Socket Flat Head Screw Q17 77 M8x1		2	
43	YE90055501300	Thermocouple 5x55Lx105x1.1M		1	
42	YW02002500000	Stainless Steel Hex Clamp 2.5 Inch (40-40M)	Assembly	2	
41	YW72023600000	2 Inch Inside Flange End Heat resistant air pipe	Assembly	0.112	L=400mm
40	BW72203700010	Insulated Heat resistant air pipe SHD-200-A-21	Assembly	1	
39	YW66081900000	Flat Washer 8x19x2.0		4	
38	SHD-40U-A-03	Heating Box Firing Plate	SPCC2.0	1	
37	YW66061800000	Large Grade A Washer Q2/T 98.1.6		4	
36	YW65006000100	Standard Spring Washer Q2/T 93.6		4	
35	YW61062000300	Hexagon Socket Head Cap Screw Q17 74.1 M8x32.4		4	
34	YP60252000000	Open Type Flat Head Heat Insulation End Heat Resistant Air Pipe		0.05	
33	SHD-40U-A-08	Lower Blowing Air Pipe	SUS201	1	
32	YW67481900000	Hex Headed Flat Head Sealing Spring Cap Q17 74.1 M8x32.4		4	
31	SHD-40U-A-16	Sight Door	SUS201	1	
30	BR90204.000010	Sight Door Glass SHD-200-A-34	Acrylic	1	
29	SHD-40U-A-14	Insulation Board	3049 Ink Brand Finish	1	
28	SHD-40U-A-04	External Hopper	Weldment	1	
27	YE67201500100	Nickel Plated Copper Cable Clamp LZ12-20x1.5		1	
26	BL50016000220	Cable Clamp Firing Plate PC16 SP-5-01	SPCC2.0	1	
25	YW67050800000	Open Headed Flat Head Sealing Spring Cap Q17 74.1 M8x32.4		6	
24	YP6282014.0000	Pyrexial Plate, Thickness 1mm x Length 200 x Width 100	Aluminum Silicate Plate	0.017	
23	SHD-40U-A-07	Hot Air Pipe	Assembly	1	
22	YW62051500000	Open Headed Large Flat Head Screw JIS 101 M8x16		2	
21	BH704.00300350	Pipe heater SHD-40U (200) 3-0 40W	Assembly	1	
20	SHD-20U-A-33	Control Box Bottom Plate	SECC15	1	
19	SHD-20U-A-32	Control Box Door	SPCC12	1	
18	SHD-20U-A-31	Control Box Body	SPCC12	1	
17	YW64.000600300	Hexagon Nut Q2/T 6170 M6		4	
16	YR30000000100	Large SHD Insulator Plug SHD-200-A-29	Rubber	4	
15	SHD-40U-A-05	External Heating Box	SPCC15	1	
14	YW62051000100	Open Headed Large Flat Head Screw JIS 101 M8x16		8	
13	SHD-20U-A-05	Heating Box Cover	SPCC15	1	
12	BR1014.0100110	Heating Box Pastener Φ14x110 (SHD-200-A-20)	White silica gel	1	
11	YW690504.00000	Open Type Flat Head Heat Insulation End Heat Resistant Air Pipe Q17 74.1 M8x32.4		4	
10	YW65008000100	Standard Spring Washer Q2/T 93.8		16	
9	YW660816.00000	Grade A Flat Washer Q2/T 97.1 (R-6x16x1.6)		12	
8	YW60082500100	Hexagon Head Bolt Q2/T 8700 M8x25-12.9		16	
7	BR10250300110	Blower Pastener SHD-25-A1J-03	White silica gel	1	
6	BM4.00253004.50	Flange 2.5 Inch 3-0 300/40W / 50/60W	Assembly	1	
5	YW69050100000	Open Type Flat Head Heat Insulation End Heat Resistant Air Pipe Q17 74.1 M8x32.4		6	
4	YW020030004.00	Adjustable Spring Buckle SHL-40-A-35	Assembly	3	
3	SHD-40U-A-13	Storage Tank	Weldment	1	
2	YR10002500100	Cover Pastener SHD-25		1	
1	SHD-40U-A-09	Hopper Cover	SUS304	1	

制图	版号	K	标题	SHD-40U	图号	SHD-40U-A-ALL	比例	1:8	数量	1
设计	核准		欧化料斗干燥机				材质	/		
校对	日期	20120510	SHINI	信易电热机械股份有限公司 Shini Plastics Technologies, Inc.		表面要求	/			
标记	更改前	更改后	更改人	日期	审核	日期	物料号	/		

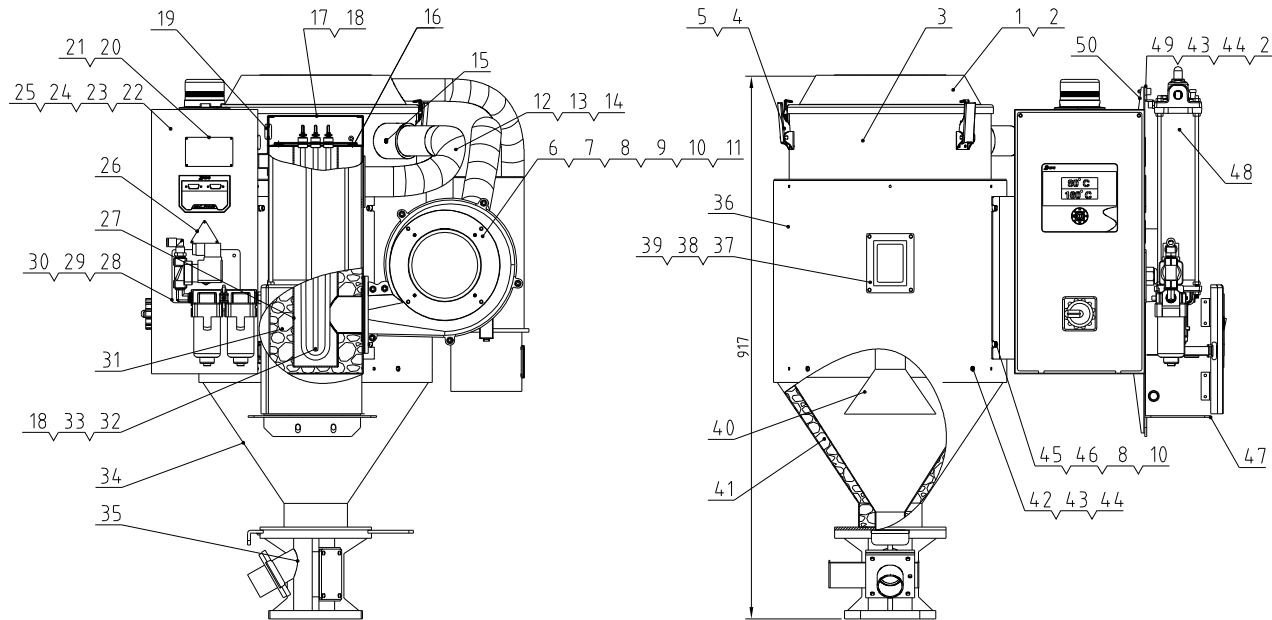


"x" indicates the items that may be damaged; "x x" indicates the items that are more likely to be damaged. It is recommended to back them up.
Please confirm the version number of the instruction manual before placing an order to purchase spare parts, so as to ensure that the material number of spare parts is consistent with the physical one.

11	YW62051500000	Cross Recessed Large Flat Head Screw JIS 1111 M6X16	8		
10	YR90854800000	Four-hole Sight Window 85X48X5mm	1	*	
9	YW69616100000	Thumb Screw M6X16X16	1		
8	YW09125000000	Small Material Shutoff Plate HB-240, Thickness 1.4mm	1		
7	BA10500300110	Material Discharge Port SMD-50-ALL-78 Version 0	1		
6	YW66082200100	C-Class Large Washer GB/T 968 (3.4X24X2)	4		
5	YW65008000100	Standard Spring Washer GB/T 93 8	4		
4	YW60083500000	Hexagon Head Bolt GB/T 5781 M6X35-4.8	4		
3	BA20500100110	Standard Base HB-50-A-01 (Version 0)	1		
2	YW61061001800	Hexagon Socket Head Cap Screw GB 70.1 M6X10	1		
1	YW09255000000	Large Material Shutoff Plate HB-50-A-02	1		
序号	代号	名称	材质	数量	备注

					制图	版号	0	标题	HB-50	图号	HB-50-A-ALL	比例	1:3	数量	1
					设计	核 准		标准底座					材质	/	
					校对								表面要求	/	
标记	更改前	更改后	更改人	日期	审核	日期	2024.07.25			信易电热机械股份有限公司 Shini Plastics Technologies, Inc.		物料号	BY1005030350		

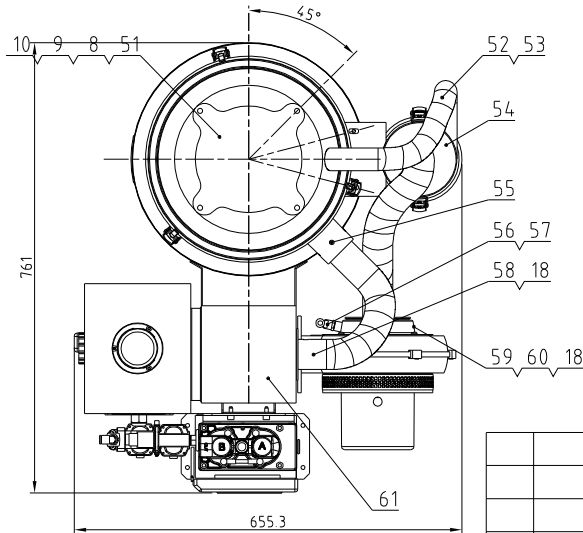
Blower power	Inlet pipe diameter	Outlet pipe diameter	Heater power	Hopper capacity	Ver.
0.12KW	2inch	1.5inch	3KW	40L	Ver.G



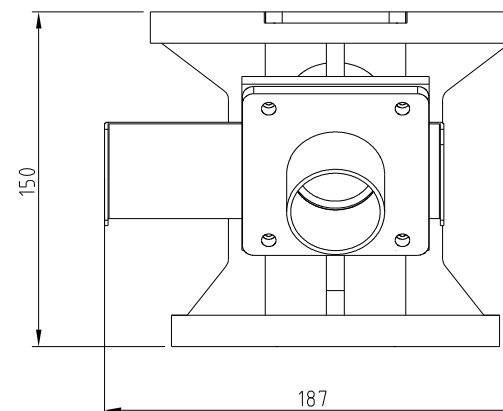
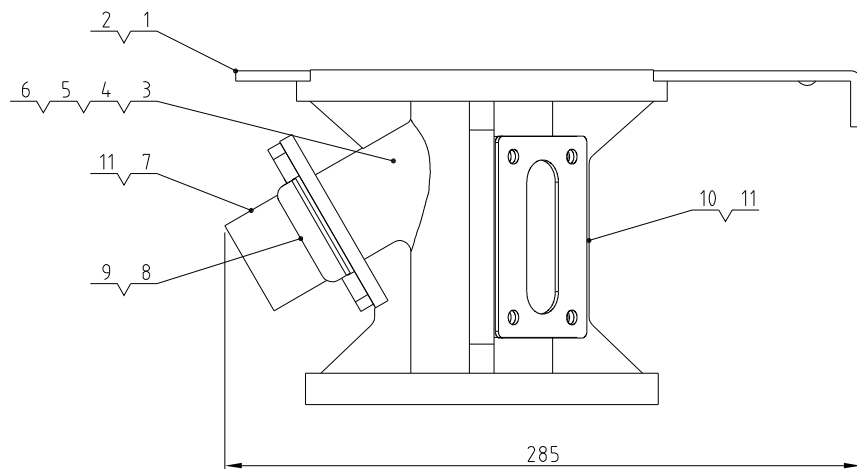
44	YW66061800000	Grade A Large Washer GB/T96.1 6		31
43	YW65006000100	Standard Spring Washer GB/T 93 6		23
42	YW61062000300	Hexagon Head Flat Head Screw GB/T 6170.1 M6X3-12.9		19
41	YP60252000000	Open Top Flat Head Hex Head Flat Head Bolt GB/T 6170.1 M6X3-12.9		0.05
40	SHD-40U-A-08	Lower Blowing Air Pipe	SUS201	1
39	YW67481900000	Open Head Flat Head Hex Head Flat Head Bolt GB/T 6170.1 M6X3-12.9		4
38	SHD-40U-A-16	Sight Door	SUS201	1
37	BR90204.000010	Sight Door Glass SHD-20U-A-34		1
36	SHD-40U-A-14	Insulation Board	SUS430	1
35	BY10005030350	Standard Base Assembly BP-50 (Ver. B)		1
34	SHD-40U-A-04	External Hopper		1
33	YW62051500000	Open Head Large Flat Head Screw JIS1111 M3X5		2
32	BH704.00300350	Pipe Hanger SHD-40U (SHT) 3/4 400V		1
31	YP6282014.0000	Flange Nut, No. Thick X 20 Length X 20 Width		0.017
30	YW67050800000	Open Head Flat Head Hex Head Flat Head Bolt GB/T 6170.1 M6X3		6
29	YE67201500100	Welded-plated Copper Cable Gland (112-200X1.5)		1
28	BL50016000220	Cable Clamp Fixing Plate P316 3/4-5/16		1
27	SHD-40U-A-07	Hot Air Pipe		1
26	YP31051650000	3 Phase 400V Delta Power (Maximum Load 31/400V)		1
25	YW64000600300	Hexagon Nut GB/T 6170 M6	SECC15	12
24	SHD-20U-A-33	Control Box Base Plate	SECC15	1
23	SHD-20U-A-32	Control Box Door	SPCC15	1
22	SHD-40U-HD-02	Control Box Body		1
21	YW69020500000	Rivet GB/T 827 2X5		7
20	YP30804.900700	Minimum Hexagon Bolt, Open Headed M6X6		1
19	YR30000000100	Large SHD Rubber Plug SHD-20U-A-30		4
18	YW62051000100	Open Head Large Flat Head Screw JIS1111 M3X5	SPCC15	12
17	SHD-20U-A-05	Heating Box Cover	SPCC15	1
16	BR1014.0100110	Heating Box Fastener φ140X110		1
15	YE90055501300	Thermocouple 5X55LX10BXL1.1M		1
14	YW02002500000	Stainless Steel Hex Clamp 2.5 Inch (φ400)		4
13	YW72023600000	2 Inch Double-layer Flat Head resistant air pipe	0.362	
12	BW72203700010	Insulated Heat resistant air pipe SHD-20U-A-21		1
11	YW690504.00000	Open Top Flat Head Hex Head Flat Head Bolt GB/T 6170.1 M6X3-12.9		4
10	YW65008000100	Standard Spring Washer GB/T 93 8		16
9	YW66081600000	Grade A Flat Washer GB/T 96.1 8 (X40X1.6)		12
8	YW60082500100	Hexagon Head Bolt GB/T 6170 M6X5-12.9		16
7	BR10250300110	Blower Fastener SHD-25-ALL-03		1
6	BM4.0025300850	2.5 Inch Push Pin, 3/4 300/400 / 50/60mm		1
5	YW69050100000	Open Top Flat Head Hex Head Flat Head Bolt GB/T 6170.1 M6X3-12.9		6
4	YW020030004.00	Adjustable Spring Insulator SHD-25-50 (Ver.C)		3
3	SHD-40U-A-13	Storage tank		1
2	YR10002500100	Control Fastener SHD-25-ALL-06		1
1	SHD-40U-A-09	Hopper Cover	SUS304	1

* means possible broken parts.
 ** means easy broken part, and spare backup is suggested.
 Please confirm the version of manual before placing the purchase order to guarantee that the item number of the spare part is in accordance with the real object!

61	SHD-40U-HD-03	External Heating Box		1
60	BH100020014.60	1 Inch Flat Head Hex Head Flat Head Bolt		1
59	SHD-40U-HD-05	Blower Air Inlet Flange		1
58	SHD-20U-A-42	Heating Box Air Outlet Flange	SUS201	1
57	YR600006004.00	PV Air Tube φ6X44 Black, 300xCell		1
56	YW800614.00200	L-type Threaded Fitting #1/4-1/4 06		1
55	YW68081000000	Hexagon Head Flat Head Flat Head Bolt GB/T 6170 M6X3		2
54	HAR-40U-B-ALL	Return Air Filter		1
53	YW02000200000	Stainless Steel Hex Clamp 2 Inch (φ100)		2
52	YW72153600000	1.5 Inch Double-layer Flat Head resistant air pipe	0.25	
51	BL0220124.04.20	Inlet Sealing Plate SHD-20U-A-12	SPCC3.0	1
50	SHD-40U-HD-01	Dryer Fixing Plate		2
49	SHD-40U-HD-07	Heatless HAD Adapter Plate II	SPCC3.0	1
48	BY90010600250	Heatless Degenerative Air Dryer HAD		1
47	SHD-40U-HD-06	Heatless HAD Adapter Plate I	SPCC2.0	1
46	YW66081900000	Flat Washer 8X19X2.0		4
45	SHD-40U-A-03	Heating Box Fixing Plate		1



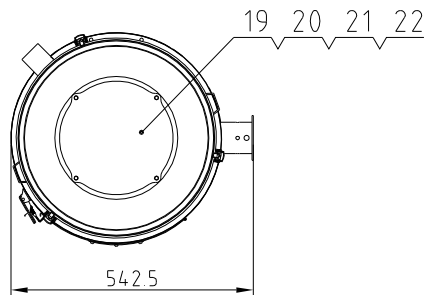
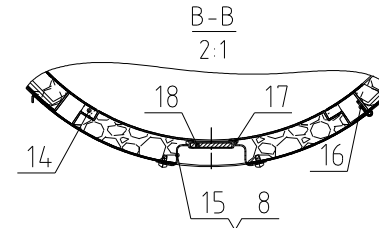
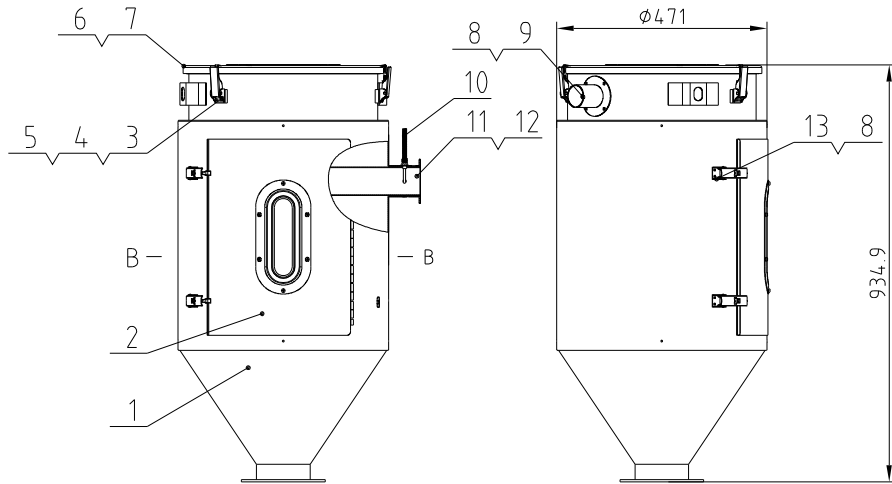
制图	版号	D	标题	SHD-40U-HD	图号	SHD-40U-HD-ALL	比例	1:8	数量	1
设计	核准		吹化无热除湿料斗干燥机				材质	/		
校对	日期	20170307	SHINI 信易电热机械股份有限公司		Shini Plastics Technologies, Inc.		表面要求	/		
标记	更改前	更改后	更改人	日期	审核	日期	物料号	/		



"x" indicates the items that may be damaged; "x x" indicates the items that are more likely to be damaged. It is recommended to back them up.
Please confirm the version number of the instruction manual before placing an order to purchase spare parts, so as to ensure that the material number of spare parts is consistent with the physical one.

11	YW62051500000	Cross Recessed Large Flat Head Screw JIS 1111 M6X16	8		
10	YR90854800000	Four-hole Sight Window 85X48X5mm	1	*	
9	YW69616100000	Thumb Screw M6X16X16	1		
8	YW09125000000	Small Material Shutoff Plate HB-240, Thickness 1.4mm	1		
7	BA10500300110	Material Discharge Port SMD-50-ALL-78 Version 0	1		
6	YW66082200100	C-Class Large Washer GB/T 968 (3.4X24X2)	4		
5	YW65008000100	Standard Spring Washer GB/T 93 8	4		
4	YW60083500000	Hexagon Head Bolt GB/T 5781 M6X35-4.8	4		
3	BA20500100110	Standard Base HB-50-A-01 (Version 0)	1		
2	YW61061001800	Hexagon Socket Head Cap Screw GB 70.1 M6X10	1		
1	YW09255000000	Large Material Shutoff Plate HB-50-A-02	1		
序号	代号	名称	材质	数量	备注

					制图	版号	0	标题	HB-50	图号	HB-50-A-ALL	比例	1:3	数量	1
					设计	核 准		标准底座					材质	/	
					校对								表面要求	/	
标记	更改前	更改后	更改人	日期	审核	日期	2024.07.25			信易電熱機械股份有限公司 Shini Plastics Technologies, Inc.		物料号	BY1005030350		

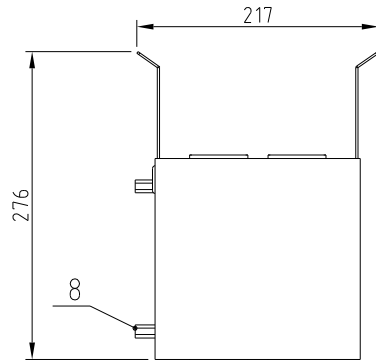
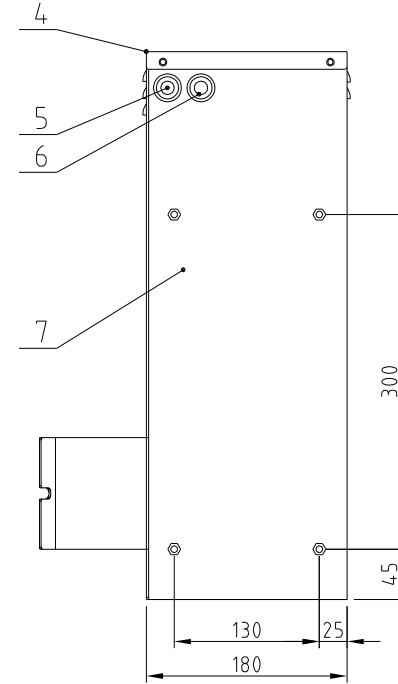
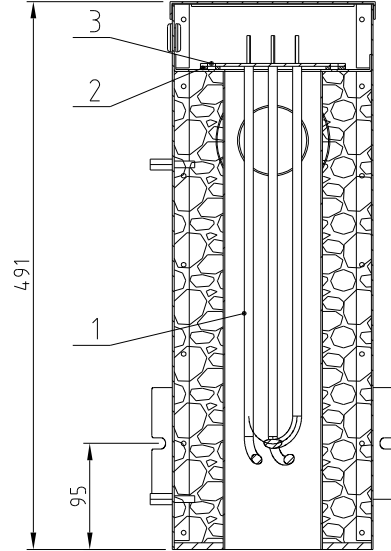


"*" indicates the items that may be damaged, "x" indicates the items that are more likely to be damaged. It is recommended to back them up.

Please confirm the version number of the instruction manual before placing an order to purchase spare parts, so as to ensure that the material number of spare parts is consistent with the physical one.

22	YW66081600000	Grade A Flat Washer GB/T 97.1 (8.4X16X1.6)		4	
21	YW65008000100	Standard Spring Washer GB/T 93 8		4	
20	YW60083000200	Hexagon Head Bolt GB/T 5783 M8X30-8.8		4	
19	BL02900600120	Inlet Sealing Plate SHD-900U-A-69	SUS430	1	
18	YW70008000000	Sight Window Glass MHD-80U-A-10	Reinforced glass	1	*
17	YR10008001300	Sight Window Fastener MHD-80U-A-12	White silica gel	1	
16	YW62041000000	Cross Recessed Large Flat Head Screw JIS1111 M8X10		7	
15	BL02080002020	Sight Window MHD-80U-A-07	SUS304	1	
14	YR10800800900	Cleaning Door Fastener MHD-80U-A-08 (Ver.2)	Red silica gel	1	
13	YW09060200100	Adjustable Angle Lock (Carbine Hook with Safety Lock) Model M88		2	
12	SHD-80U-B-02	Lower Blow Pipe	SUS201	1	
11	YW68081000000	Hexagon Socket Flat Point Set Screw GB/T 77 M8X10		3	
10	YE90054001300	Thermocouple 5X40LXMBX1.5M		1	
9	SHD-80U-B-05	Exhaust Pipe	SUS201	1	
8	YW62051000000	Cross Recessed Large Flat Head Screw JIS1111 M8X10-11(S)		12	
7	YR10005000100	Cover Fastener SEHD-50-ALL-08	White silica gel	1	
6	SHD-120U-D-03	Hopper Cover		1	
5	YW64040700100	Non-metallic Insert Hex Lock Nut GB/T 889.1		6	
4	YR40000600800	Spring Buckle Plastic Spacer SAL-6U		3	
3	YW02003000400	Adjustable Spring Buckle SAL-6U-A-35		3	
2	SHD-80U-B-04	Outer Cleaning Door		1	
1	SHD-80U-B-01	Insulated Tank		1	
序号	代号	名称	材质	数量	备注

				制图	版号	0	标题	SHD-80U	图号	SHD-80U-B-ALL	比例	1:15	数量	1
				设计	核准		保温料桶组件					材质	/	
				校对	审核			信易电热机械股份有限公司	Shini Plastics Technologies, Inc.	表面要求		/		
标记	更改前	更改后	更改人	日期	日期	20260109				物料号		/		

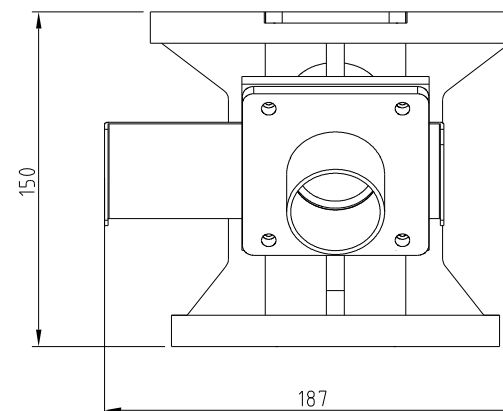
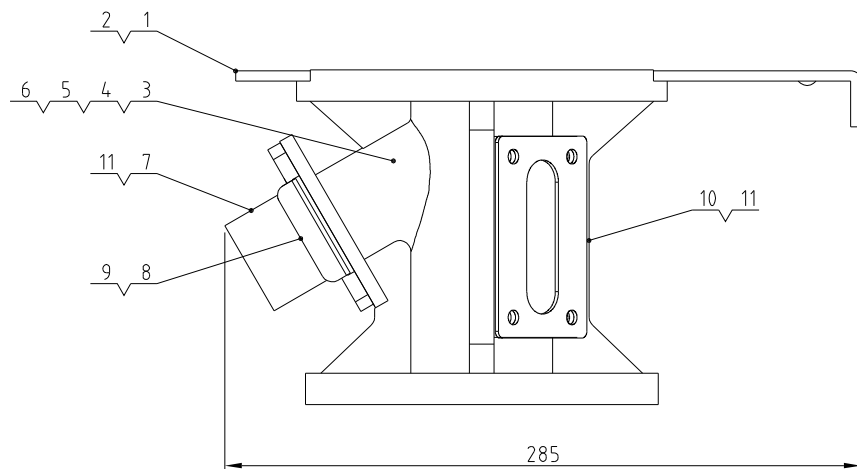


"x"Indicates the items that may be damaged; "x x" indicates the items that are more likely to be damaged. It is recommended to back them up. Please confirm the version number of the instruction manual before placing an order to purchase spare parts, so as to ensure that the material number of spare parts is consistent with the physical one.

8	YW60620100000	Stainless Steel Hexagon Stud Bolt M6x20-10 (SUS304)	SUS304	4	
7	SHD-120U-C-01	Heating Box		1	
6	YR30000000200	Small SHD Rubber Plug SHD-20U-A-40	Rubber	1	
5	YR30000000100	Large SHD Rubber Plug SHD-20U-A-39	Rubber	1	
4	SHD-120U-C-02	Heating Box Cover	SPCC15	1	
3	YW62051000100	Cross Recessed Large Flat Head Screw JIS1111 M6x10		8	
2	BR10250300110	Blower Fastener SEHD-25-ALL-03	White silica gel	1	
1	BH70250302150	Pipe heater SEHD-25-B-03-C 30W/3φ400V		1	

序号	代号	名称	材质	数量	备注
----	----	----	----	----	----

					制图	版号	0	标题	SHD-120U	图号	SHD-120U-C-ALL	比例	1:6	数量	1
					设计	核准			加热箱组件				材质	/	
					校对				信易電熱機械股份有限公司 Shini Plastics Technologies, Inc.		表面要求	/			
标记	更改前	更改后	更改人	日期	审核	日期	20250611				物料号	/			

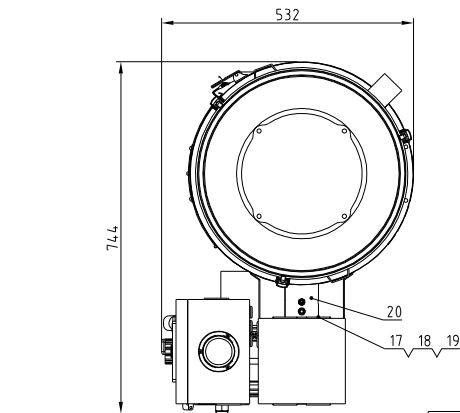
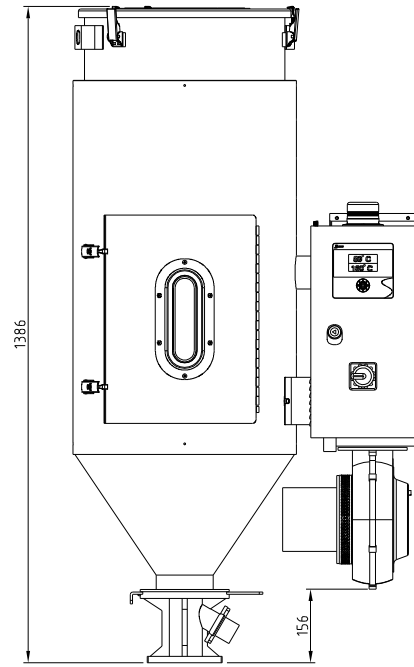
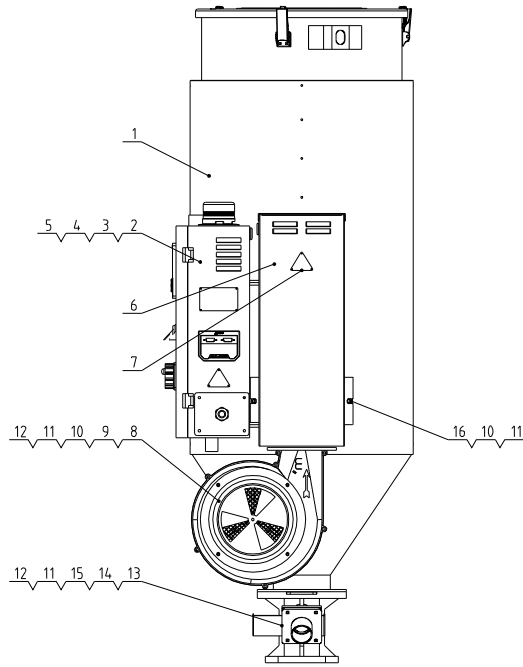


11	YW62051500000	Cross recessed large flat head screw JIS1111 M6X16	8		
10	YR90854800000	Four-hole sight window 85X48X5mm	1	*	
9	YW69616100000	Hand twist screw M6X16X16	1		
8	YW09125000000	Small material shutoff plate 85X48, thickness 1.4mm	1		
7	BA10500300110	Material discharge port SMD-50-ALL-7B Version 0	1		
6	YW66082200100	Large grade C washer GB/T968 (8.4X24X2)	4		
5	YW65008000100	Standard spring washer GB/T93 8	4		
4	YW60083500000	Hexagon head bolt GB/T3781 M8X35-4.8	4		
3	BA20500100110	Standard base HB-50-A-01 (Version 0)	1		
2	YW61061001800	Hexagon socket head cap screw GB70.1 M6X10	1		
1	YW09255000000	Large material shutoff plate HB-50-A-02	1		
序号	代号	名称	材质	数量	备注

"*"Indicates the items that may be damaged; "x*" indicates the items that are more likely to be damaged.
It is recommended to back them up.
Please confirm the version number of the instruction manual before placing an order to purchase spare parts, so as to ensure that the material number of spare parts is consistent with the physical one.

					制图	版号	0	标题	HB-50	图号	HB-50-A-ALL	比例	1:3	数量	1
					设计	核准		标准底座					材质	/	
					校对				信易電熱機械股份有限公司		表面要求	/			
标记	更改前	更改后	更改人	日期	审核	日期	2024.07.25		Shini Plastics Technologies, Inc.		物料号	BY1005030350			

Heater power	Hopper capacity	Ver.
3KW	120L	Ver.F
Blower power	Inlet pipe diameter	Outlet pipe diameter
0.12KW	2.5inch	2inch

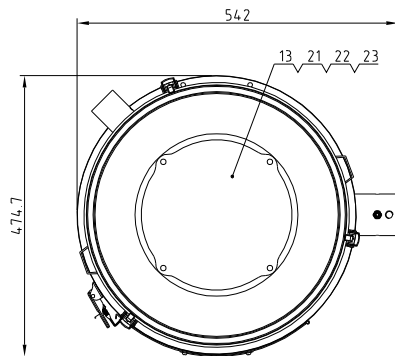
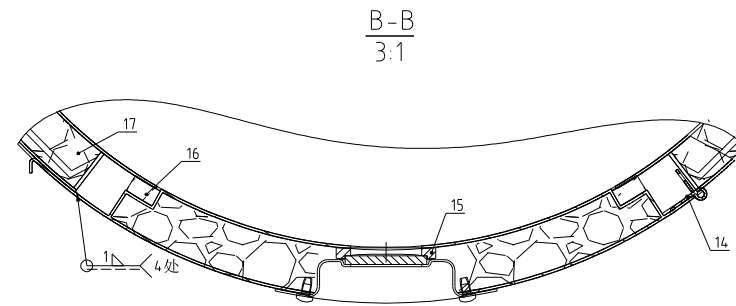
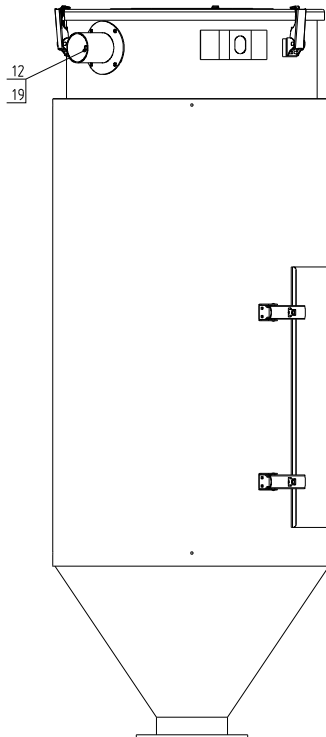
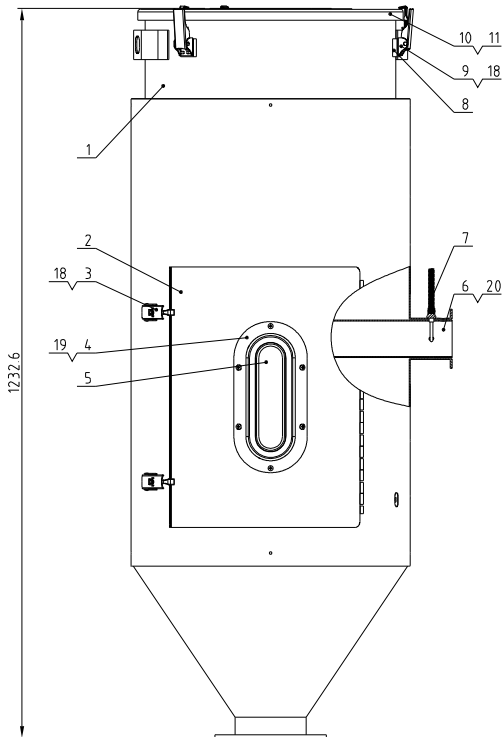


× means possible broken parts.
 ×× means easy broken part, and spare backup is suggested.
 Please confirm the version of manual before placing the purchase order to guarantee that the item number of the spare part is in accordance with the real object.

20	BW72800200200	Insulated Heat Resistant Air Pipe 300-300-45-45		1	
19	YR10008001200	Heating Box Air Outlet Section 300-300-100-9-9	White silica gel	1	
18	YW66051000000	Grade A Flat Washer CR/T 97.1.6		4	
17	YW61051200100	Hopper Outlet End Cap Cover CR/T 11.16X12-11.1		4	
16	YW66081900000	Flat Washer 8X19X2.0		2	
15	YW64080600000	Hexagon Nut CR/T 6170 MB		4	
14	YW60083500000	Hexagon Head Bolt CR/T 6761 MBX35-4.8		4	
13	BY10005030350	Standard Hose Assembly 100-50 (Ver.B)		1	
12	YW66081600000	Grade A Flat Washer CR/T 97.1 (8.4X16X1.0)		8	
11	YW65008000100	Standard Spring Washer CR/T 93.8		10	
10	YW60082500100	Hexagon Head Bolt CR/T 6763 MBX25-12.9		6	
9	BR10150100110	Heating Box Silicone Paste 150X150	White silica gel	1	
8	BM40030000150	TB-3P / 3" blower		1	
7	YP31434000000	Slider - High Surface Temperature Heating		2	
6	SHD-120U-C-ALL	Heating Box Assembly		1	
5	YW66061300000	Grade A Flat Washer CR/T 97.1.6		4	
4	YW65006000100	Standard Spring Washer CR/T 93.6		4	
3	YW60061500100	Hexagon Head Bolt CR/T 6763 MBX16		4	
2	SHD-120U-B-ALL	Control Box Assembly		1	
1	SHD-120U-D-ALL	Insulated Material Tank Assembly		1	

制图	版号	0	标题	SHD-120U 欧化料斗干燥机	图号	SHD-120U-ALL	比例	1:10	数量	1	备注
设计	核准										
校对											
标记	更改前	更改后	更改人	日期	审核	日期	2025.06.11	表面要求		/	
								物料号		/	





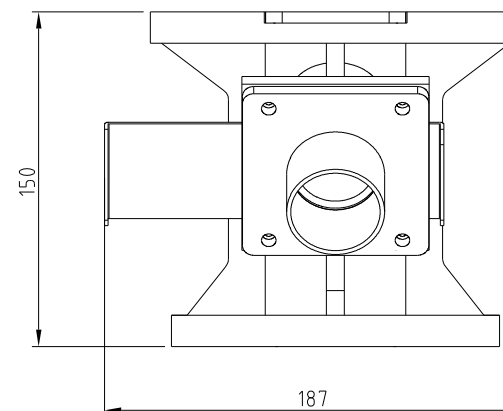
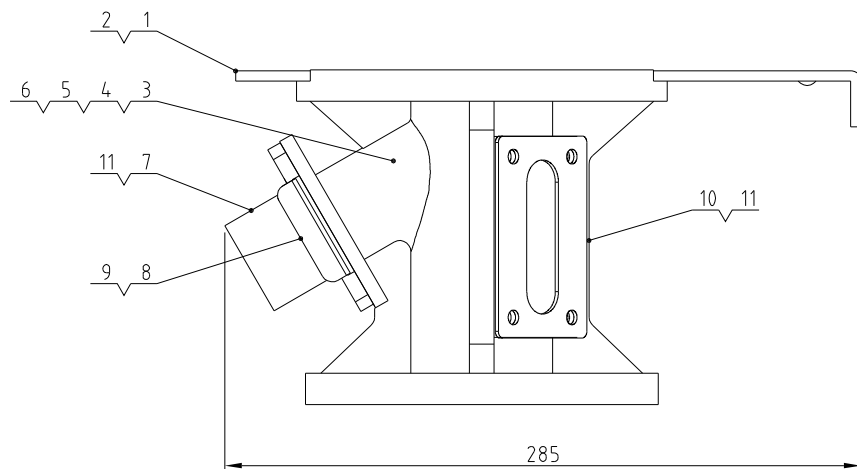
Technical Requirements:

- Silicone shall be applied for fixing during assembly of the sight window glass in Item No 5.
- When assembling the Thermocouple of Item No 7, drill matching M8 holes at the corresponding positions on the lower blow pipe of Item No 6.

* means possible broken parts
 ** means easy broken part, and spare backup is suggested.
 Please confirm the version of manual before placing the purchase order to guarantee that the item number of the spare part is in accordance with the real object.

23	YW66081600000	Graze & Flat Washer G2/792.1 Q.4X16X1.0		4	
22	YW65008000100	Standard Spring Washer G2/793 8		4	
21	YW60083000200	Hexagon Head Bolt G2/79763 M6X30-6.8		4	
20	YW68081000000	Hexagon Socket Flat Head Set Screw G2/777 M4X8		3	
19	YW62051000000	One Headed Long Flat Head Screw ISO11 M3X8-9 (S)		10	
18	YW64040700100	Hex metallic Inset Hexagon Lock Nut G2/798.1 M4		10	
17	YP60252000000	Long One End Laminated Hexagon Ball One End Ball One		0.05	
16	YR10012000900	Closing Door Fastener M8-1200-A-12	Red silica gel	1	
15	YR10008001300	Sight Window Fastener M8-900-A-12	White silica gel	1	
14	YW62041000000	One Headed Long Flat Head Screw ISO11 M3X8		7	
13	BL02900600120	Inlet Sealing Plate SHD-900U-A-69	SUS4.30	1	
12	SHD-120U-D-04	Exhaust Pipe	SUS201	1	
11	YR10005000100	Cover Fastener M8-90, Min. Silicone (Not Available)		1	
10	SHD-120U-D-03	Hopper Cover	SUS201	1	
9	YW02003000400	Adjustable Spring Washers S2-40+56 (Per. C)		3	
8	YR40000600800	Spring Washers Plastic Spacer S40-60		3	
7	YE90054001300	Thermocouple 5X40LX163X1.5M		1	
6	SHD-120U-D-02	Lower Blow Pipe		1	
5	YW70008000000	Sight Window Glass M8-900-A-12 (Version 0)	Tempered glass	1	*
4	BL02012001020	Sight Window M8D-1200U-A-07	SUS304	1	
3	YW09060200100	Adjustable High Lock Washer with Safety Lock		2	
2	MHD-120U-A-03	Outer Cleaning Door		1	
1	SHD-120U-D-01	Insulated Tank		1	

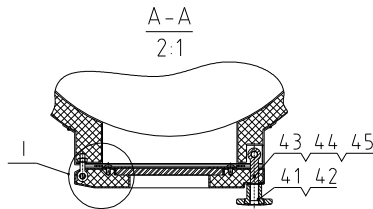
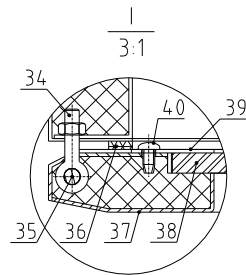
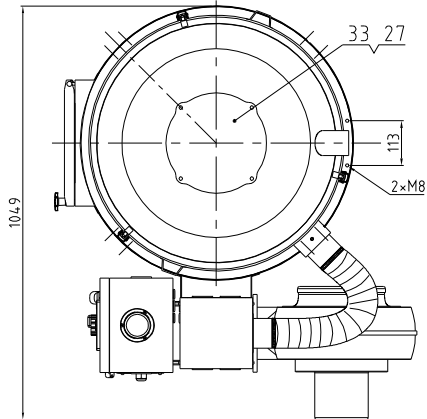
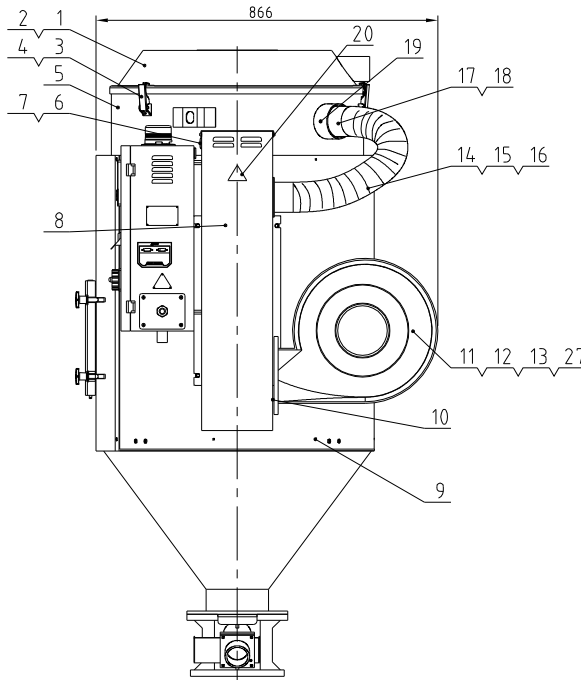
序号	代号	名称	材质	数量	备注
		标题 SHD-120U 保温材料组件		比例 1:8	数量 1
		图号 SHD-120U-D-ALL		材质 /	
		SHINI 信易电热机械股份有限公司 Shini Plastics Technologies, Inc.	表面要求	/	
标记	更改前	更改后	更改人	日期	审核
				日期	2025.06.11



× means possible broken parts.
 ×× means easy broken part, and spare backup is suggested.
 Please confirm the version of manual before placing the purchase order to guarantee that the item number of the spare part is in accordance with the real object.

11	YW62051500000	Cross Recessed Large Flat Head Screw JIS 1111 M6X16	8		
10	YR90854800000	Four-hole Sight Window 85X48X5mm	1	*	
9	YW69616100000	Hand twist screw M6X16X16	1		
8	YW09125000000	Small Shut-off Plate HB-12/50, Thickness 1.4mm	1		
7	BA10500300110	Discharge Outlet S20D-50-ALL-03 (Ver.0)	1		
6	YW66082200100	C-class Large Washer GB/T 968 (3.4X24X2)	4		
5	YW65008000100	Standard Spring Washer GB/T 93 8	4		
4	YW60083500000	Hexagon Head Bolt GB/T 5781 M6X35-4.8	4		
3	BA20500100110	Standard Base HB-50-A-01 (Ver.0)	1		
2	YW61061001800	Hexagon Socket Head Cap Screw GB 70.1 M6X10	1		
1	YW09255000000	Large Shut-off Plate HB-50-A-02	1		
序号	代号	名称	材质	数量	备注

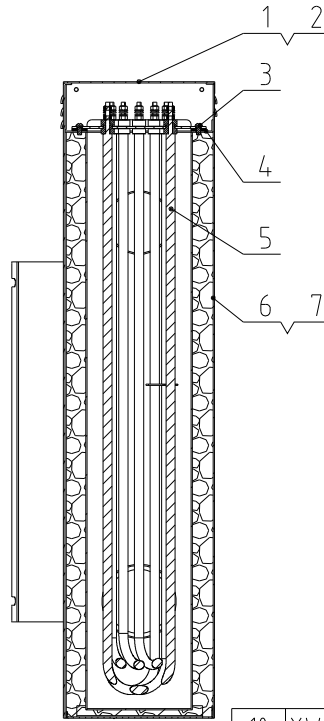
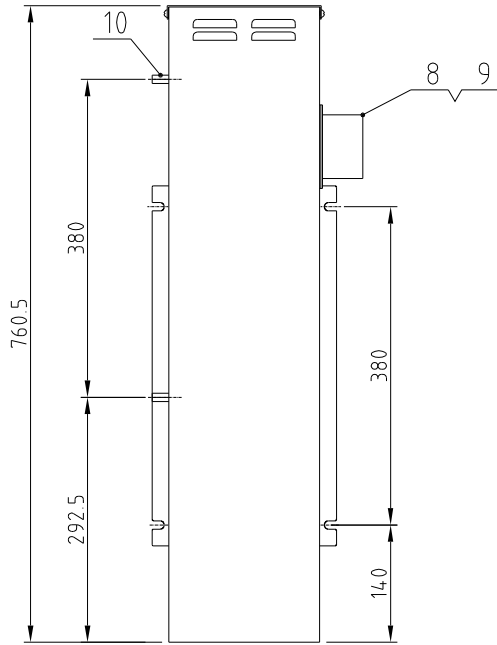
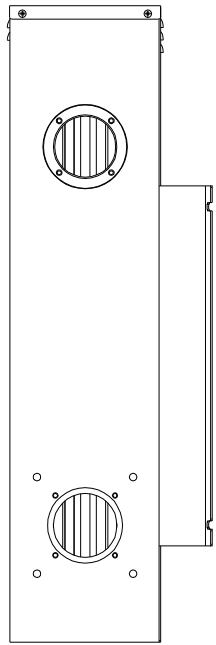
					制图	版号	0	标题	HB-50	图号	比例	1:3	数量	1
					设计	核准		标准底座		HB-50-A-ALL			材质	/
					校对				信易電熱機械股份有限公司 Shini Plastics Technologies, Inc.		表面要求	/		
标记	更改前	更改后	更改人	日期	审核	日期	2024.07.25				物料号	BY1005030350		



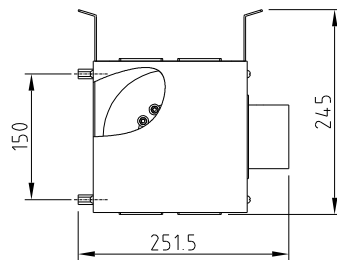
Blower power	Heater power	Capacity	Ver.
0.18kW	12kW	300L	Ver.E

45	YW90012400200	Star ring screw large size 1W/200/40		2
44	YW660006000000	Open retaining ring GR/1896 6		2
43	YW90481203800	Cross length 48 SD-125 1W pieces/pack		2
42	YW66102000100	Flat Washer Grade A GR/197.1 10		2
41	YW90001200300	Star eye nut small size SD-122B		2
40	YW62051000000	Cross recessed flat head screw JIS1111		4
39	SHD-300U-A-42	Visual door retaining ring	SUS201	1
38	YW70406000000	Viewing window (ø165xGM) SD-300U-A	Tempered Glass	1
37	SHD-300U-EC-A-04	Visual door components		1
36	YR10304540000	Material door tightening SD-300U/450	hard red silicon gel	1
35	SHD-300U-A-41	View material door latch	SUS201	1
34	BL90630600190	The rear section of the articulated belt		2
33	BL02900600120	Inlet Sealing Plate SD-300U-A-09	SUS430	1
32	YP60252000000	Epoxy glass fiber laminate		0.08
31	YW65006000100	Standard spring washer GR/193 6		4
30	YW6600613000000	Flat Washer Grade I GR/197.1 F-hat hat		4
29	YW600061500100	Hexagon head bolt GR/1938 M16-12.9		4
28	SHD-300U-C-ALL	Control Box Assembly		1
27	YW600082500100	Hexagon head bolt GR/1938 M16-12.9		12
26	YW6600819000000	Flat Washer 6x19x2.0 Dark Rust		4
25	YW61082501200	Hexagon socket head screw GR/170.1 M16.5		8
24	BY10200900150	Standard base combination IB-200		1
23	SHD-450U-A-12	Down blow duct bell mouth	SUS201	1
22	SHD-300U-EC-A-03	Exterior view material door frame	SPCC1.5	1
21	SHD-300U-A-04	Insulation board	SUS430	1
20	YP31434000000	Sticker 49x90M Stickiness : 25.2N		2
19	YE90054001300	Thermocouple 5ø40LxM3ø1.5M		1
18	YW6800810000000	Hexagon socket flat end set screw		3
17	SHD-300U-A-02	Down blow duct	SUS201(11.5)	1
16	BW72303700010	Insulation and heat-resistant air duct		1
15	YW72033600100	Air duct 3" x double layer res96.6 u	0.153	
14	YW020035000000	Stainless steel tube bundle 3.5" x 6		2
13	YW65008000100	Standard spring washer GR/193 8		16
12	YW6600816000000	Flat Washer Grade A (ø.4ø194.6)		12
11	BM40538000050	Blower 5" 3ø300/40W/30/80RZ		1
10	BR10200100110	Fan pressing SEED-200-A-13	white silica gel	1
9	YW690504000000	Open type oblate head blind rivets GR/7		15
8	SHD-300U-B-ALL	Heating Box Assembly		1
7	YR30172900000	Black protective coil (inner hole 719)		1
6	YR30000000100	Rubber stopper SD large SD-200	Rubber	1
5	SHD-300U-A-03	Storage barrel		1
4	YW690501000000	Open round head aluminum blind rivets		6
3	YW02003000400	Spring handle adjustable SL-60-L-35		3
2	SHD-300U-A-01	Barrel cover	/	1
1	YR10010040000	Cover tightly with SHD-100	white silica gel	2

制图	版号	1	标题	SHD-300U	图号	SHD-300U-A-ALL	比例	1:12	数量	1
设计	核准		欧化料斗干燥机				表面要求	材质	/	
校对	日期	20081229	SHINI 信易电热机械股份有限公司		Shini Plastics Technologies, Inc.		物料号	/		
标记	更改前	更改后	更改人	日期	审核	日期				

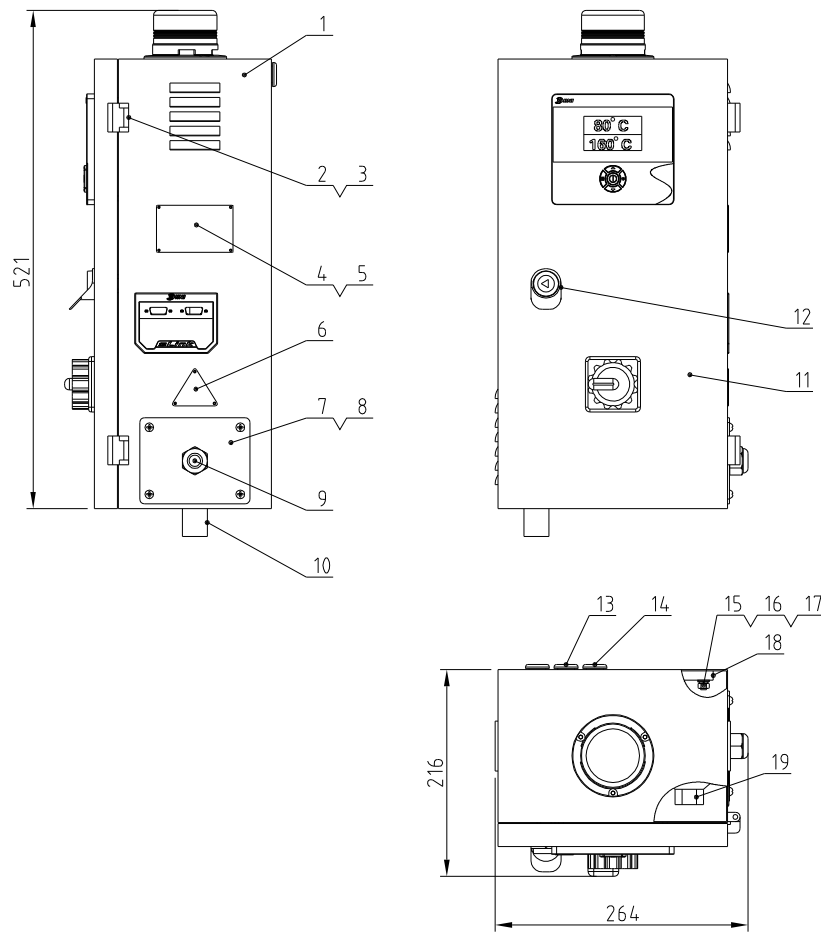


x means possible broken parts.
 xx means easy broken part and spare backup is suggested.
 Please confirm the version of manual before placing the purchase order to guarantee that the item number of the spare part is in accordance with the real object.



10	YW60620100000	Hexagonal studs M6*20*10		4	
9	YR10008001200	Heating box air outlet tight SCD-800	White silica gel	1	
8	SHD-160U-A-27	Heating box air outlet flange	SUS201	1	
7	YW69050400000	Open type oblate head blind rivet Q/T		4	
6	SHD-300U-B-01	Heating Box		1	
5	BH70301200150	Electric heating tube SHD-300U-A-44		1	
4	BR10160100110	Heating box silicone tight ;Ø160*12A	White silica gel	1	
3	YW62051500000	Cross recessed flat head screw JTS1111		4	
2	YW62051000100	Cross recessed flat head screw JTS1111		8	
1	SHD-300U-B-02	Heating Box Cover	SPCC1.5	1	
序号	代号	名称	材料	数量	备注

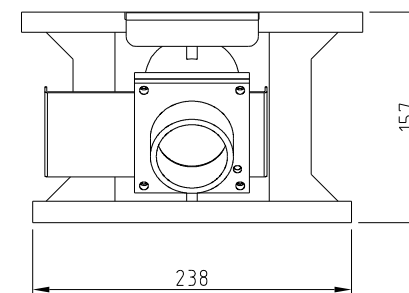
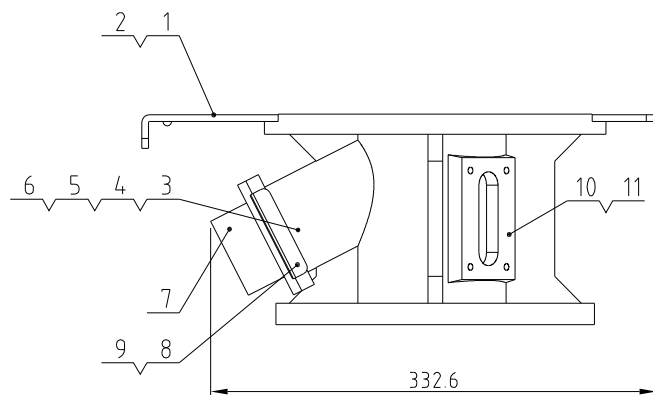
					制图	版号	0	标题	SHD-300U	图号	SHD-300U-B-ALL	比例	1:8	数量	1
					设计	核		加热箱组件					材质	/	
					校对	准		信易電熱機械股份有限公司 Shini Plastics Technologies, Inc.				表面要求	/		
标记	更改前	更改后	更改人	日期	审核	日期	20251204						物料号	/	



× means possible broken parts
 ×× means easy broken part, and spare backup is suggested.
 Please confirm the version of manual before placing the purchase order to guarantee that the item number of the spare part is in accordance with the real object.

19	BH90115300450	EGO Assembly		1	
18	SHD-300U-C-03	Control Box Bottom Plate	SECC15	1	
17	YW65050000000	Standard Spring Washer GB/T 93.5		4	
16	YW66051000000	Plain Washer Grade A GB/T 97.1.5		4	
15	YW64050300000	Hexagon Nut GB/T 6170 M5		4	
14	YR30172900000	Black Cable Grommet		1	
13	YR30000000100	Rubber Plug SHD Large SHD-20U-A-39		2	
12	YW00816100000	Door Lock (MS816-1 Black with Key)		1	
11	SHD-300U-C-02	Control Box Door	SPCC1.2	1	
10	YE67013500700	Quick Hose Connector WQ61-P13.5B/AD18.5		1	
9	YE67201500100	Copper Nickel-Plated Cable Gland LZ12-M20X1.5		1	
8	YW67050800000	Cross Recessed Pan Head Self-Tapping Locking Screw Q 650 M5X4		4	
7	BL03000040120	Cable Clamp Mounting Plate PG13.5	SPCC1.5	1	
6	YP31051650000	Triangular Power 3-Phase 400V		1	
5	YW69020500000	Rivet GB/T 827 2X5		7	
4	YP30804900700	Aluminum Plate Template (Small) Group Universal 80X8mm		1	
3	YW62041000000	Cross Recessed Large Flat-Head Screw JIS 1111 M5X10		10	
2	YW06219200100	Hinge (Right) CL219-2 Black		2	
1	SHD-300U-C-01	Control Box Body	SPCC1.2	1	
序号	代号	名称	材质	数量	备注

					制图		版号	0	标题	SHD-300U	图号	比例	1:7	数量	1
					设计		核		控制箱组件		SHD-300U-C-ALL			材质	/
					校对		准		信易電熱機械股份有限公司 Shini Plastics Technologies, Inc.			表面要求	/		
标记	更改前	更改后	更改人	日期	审核	日期	20251204					物料号	/		

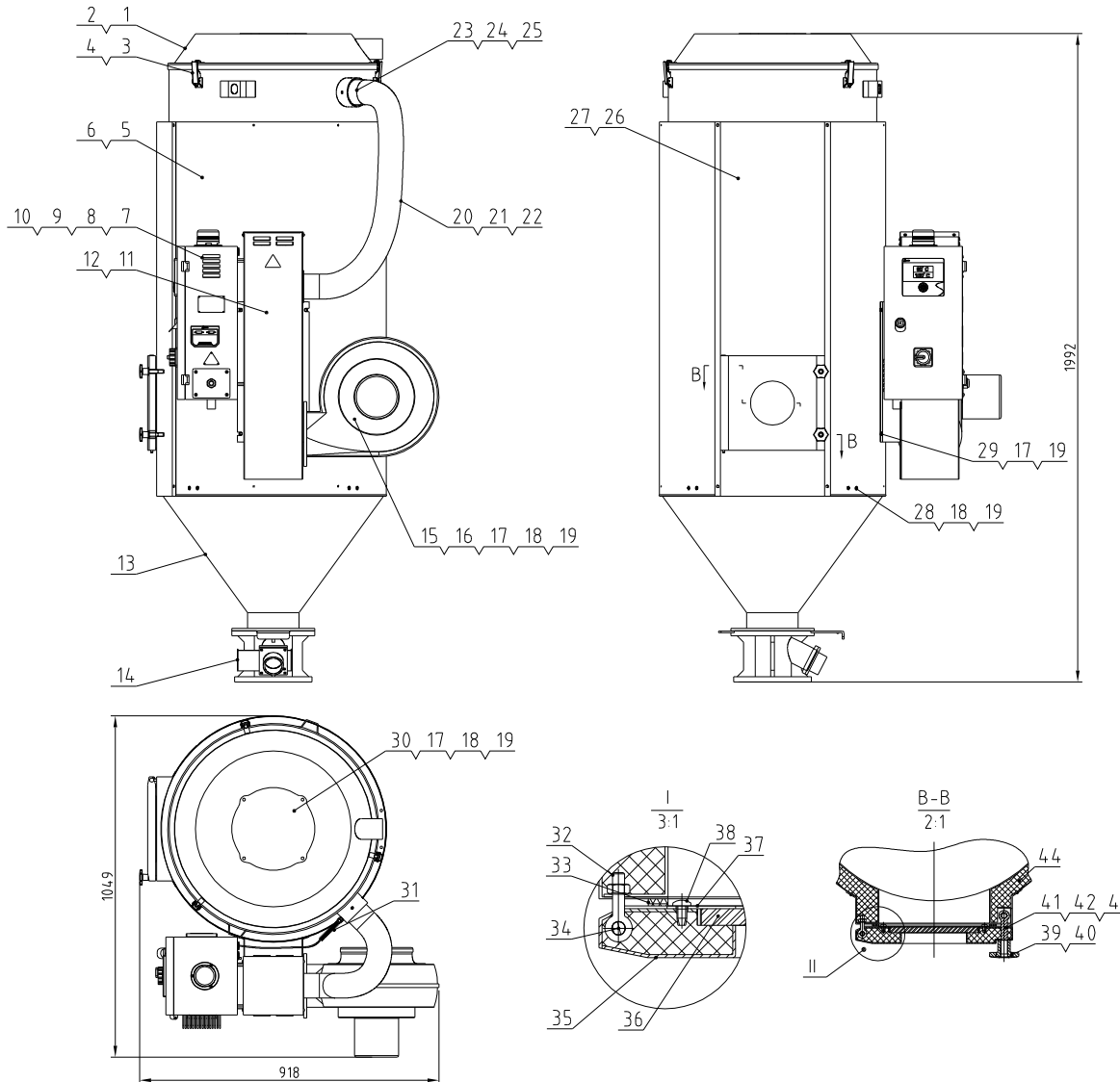


× means possible broken parts.
 ×× means easy broken part, and spare backup is suggested.
 Please confirm the version of manual before placing the purchase order to guarantee that the item number of the spare part is in accordance with the real object.

11	YW62051500000	Cross Recessed Large Flat Head Screw JIS 1111 M6X16	8		
10	YR90854800000	4-Hole Material View Window 85X48X5mm	1		
9	YW69616100000	Thumb Screw M6×16×16	1		
8	YW09106000000	Small Material Shutoff Plate SMD-100/900 (With Mold)	1		
7	BA10200100110	Material Discharge Outlet HB-200-A-03 (Version 0)	1		
6	YW66102500000	Plain Washer 10×25×1.5	4		
5	YW65010000000	Standard Spring Washer GB/T 93 10	4		
4	YW60104000100	Hexagon Head Bolt GB/T 5783 M10X40-8.8	4		
3	BA10200000110	Standard Base HB-200-A-01 (Version 0)	1		
2	YW61061001800	Hexagon Socket Head Cap Screw GB/T 70.1	1		
1	YW09102000000	Large Material Shutoff Plate HB-200-A-02	1		
序号	代号	名称	材料	数量	备注

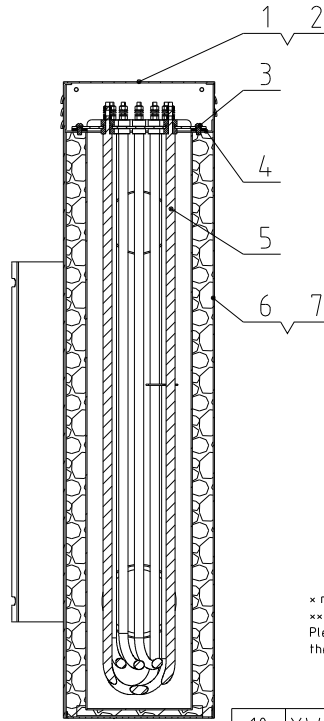
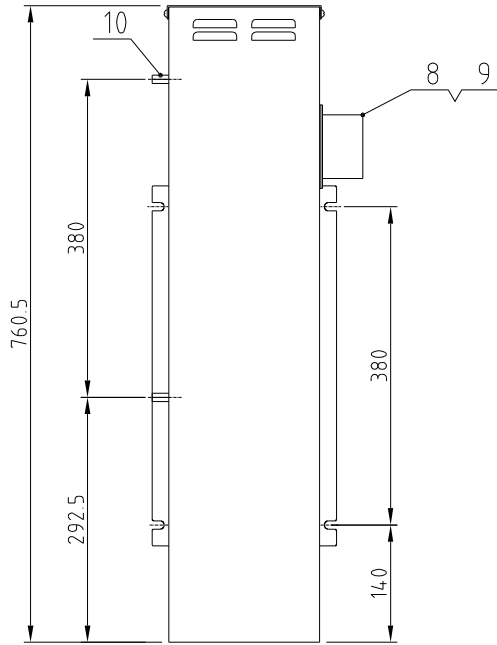
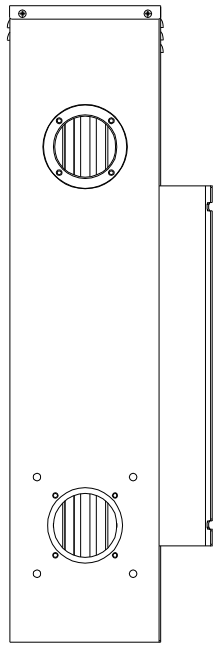
					制图	版号	标题	图号	比例	1:5	数量	
					设计	核准	标准底座	HB-200-A-ALL			材质	/
					校对		信易電熱機械股份有限公司 Shini Plastics Technologies, Inc.	表面要求	/			
标记	更改前	更改后	更改人	日期	审核	日期		物料号	BY10200900150			

Blower power	Heater power	Capacity	Ver.
0.18kW	12kW	450L	Ver E

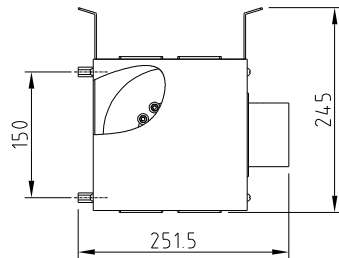


44	YP60252000000	Epoxy glass fiber laminate		0.09
43	YW90012400200	Star ring screw large size 100/200/400		2
42	YW66000600000	Open retaining ring GR/7886 6		2
41	YW90481203800	Cross length 48 SPS-128 100 pieces/pack		2
40	YW66102000100	Flat Washer Grade A GR/797.1 10		2
39	YW90001200300	Star eye nut small size SPS-128B		2
38	YW62051000000	Cross recessed flat head screw JIS1111		4
37	SHD-300U-A-42	Visual door retaining ring	SUS201	1
36	YW70406000000	Viewing window (1/16"GM) SPS-300U-A	Reinforced glass	1 *
35	SHD-300U-EC-A-04	Visual door components	SUS201	1
34	SHD-300U-A-41	View material door latch	SUS201	1
33	YR10304540000	Material door tightening SPS-300U/450U		1
32	BL90630600190	The rear section of the articulated belt		2
31	YE90054001300	Thermocouple 5x40Lx4MSx1.5M		1
30	BL02900600120	Inlet sealing plate SPS-300U-A-69	SUS430	1
29	YW66081900000	Flat Washer 6x19x2.0 Dark Rust		4
28	YW61082501200	Hexagon socket head screw GR/770.1 M6x5		8
27	YW67050800000	Cross recessed pan head locking screw		4
26	SHD-450U-A-19	Exterior view material door frame	SPCC15	1
25	YW68081000000	Hexagon socket flat end set screw		3
24	SHD-450U-A-12	Down blow duct bell mouth	SUS201	1
23	SHD-450U-A-18	Down blow duct	SUS201	1
22	BW72879300010	Insulation and heat-resistant air duct		1
21	YW72033600100	Air duct 3" es double layer red#6.6		0.278
20	YW02003500000	Stainless steel tube bundle 3.5" es		2
19	YW65008000100	Standard spring washer GR/793 8		16
18	YW66081600000	Flat Washer Grade A (R.4x16x1.6)		12
17	YW60082500100	Hexagon head bolt GR/7978 M6x5-12.9		16
16	YR10020000600	Blower pressing SHSD-200-A-13	White silica gel	1
15	BM40538000050	Blower 5" 3/4" SPS/450U/50/SHDZ		1
14	BY10200900150	Standard base combination HB-200		1
13	SHD-450U-A-03	Storage barrel		1
12	YP31434000000	Sticker 45x38M Stidiness 1/16.28		2
11	SHD-300U-B-ALL	Heating box components		1
10	YW65006000100	Standard spring washer GR/793 6		4
9	YW66061300000	Flat Washer Grade A GR/797.1 6-hk rust		4
8	YW60061500100	Hexagon head bolt GR/7978 M6x5-12.9		4
7	SHD-300U-C-ALL	Control box components		1
6	YW69050400000	Open type dilute head blind rivet GR/7		15
5	SHD-450U-A-04	Insulation board	SUS430(0.8)	1
4	YW69050100000	Open round head aluminum blind rivets		6
3	YW02003000400	Spring hookie adjustable SL-40x35		3
2	YR10010040000	Cover tightly with SHD-100	White silica gel	2
1	SHD-300U-A-01	Barrel cover	/	1

制图	版号	J	标题	SHD-450U	图号	SHD-450U-A-ALL	比例	1:14	数量	1
设计	核准		欧化料斗干燥机				表面要求	材质	/	
校对	核准						物料号		/	
标记	更改前	更改后	更改人	日期	审核	日期	20081229	信易电热机械股份有限公司 Shini Plastics Technologies, Inc.		

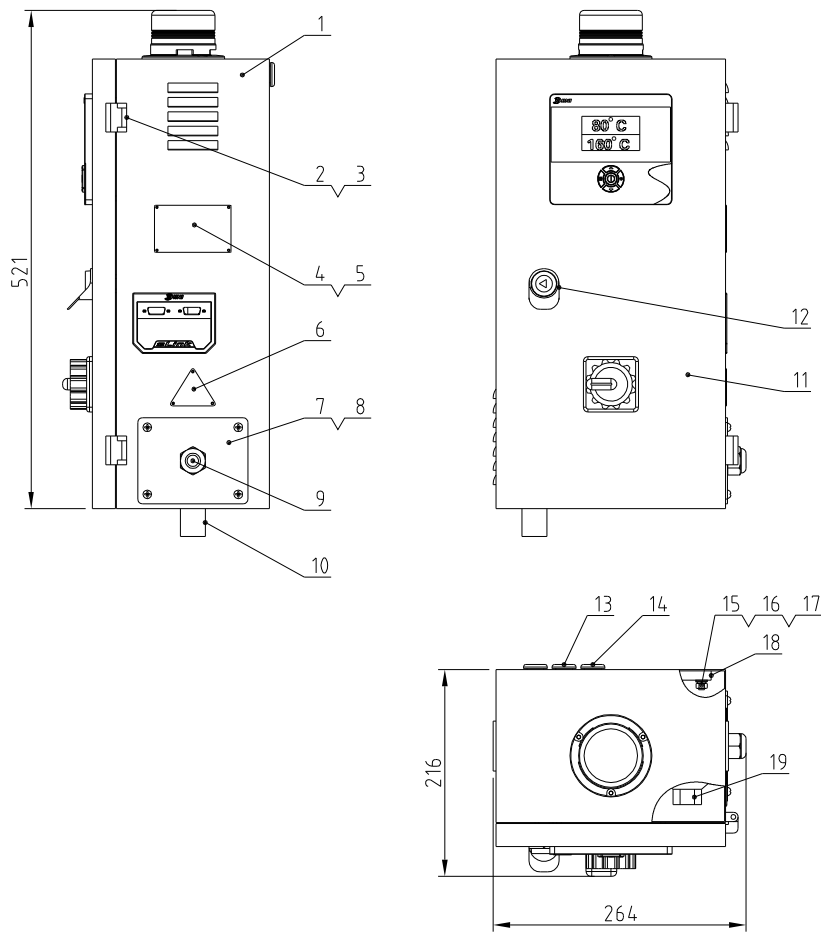


× means possible broken parts.
 ×× means easy broken part, and spare backup is suggested.
 Please confirm the version of manual before placing the purchase order to guarantee that the item number of the spare part is in accordance with the real object.



10	YW60620100000	Hexagonal studs M6*20+10		4	
9	YR10008001200	Heating box air outlet tight SCD-800	White silica gel	1	
8	SHD-160U-A-27	Heating box air outlet flange	SUS201	1	
7	YW69050400000	Open type oblate head blind rivet Q/T		4	
6	SHD-300U-B-01	Heating case		1	
5	BH70301200150	Electric heating tube SHD-300U-A-44		1	
4	BR10160100110	Heating box silicone tight φ160*124	White silica gel	1	
3	YW62051500000	Cross recessed flat head screw JTS1111		4	
2	YW62051000100	Cross recessed flat head screw JTS1111		8	
1	SHD-300U-B-02	Heating case cover	SPCC1.5	1	
序号	代号	名称	材料	数量	备注

					制图	版号	0	标题	SHD-300U	图号	SHD-300U-B-ALL	比例	1:8	数量	1
					设计	核准			加热箱组件				材质	/	
					校对			信易電熱機械股份有限公司 Shini Plastics Technologies, Inc.				表面要求	/		
标记	更改前	更改后	更改人	日期	审核	日期	20251204						物料号	/	



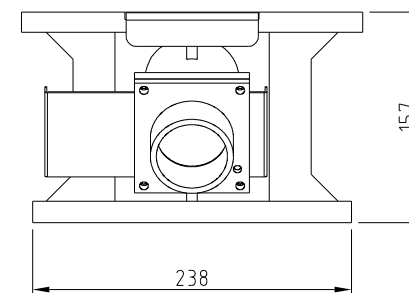
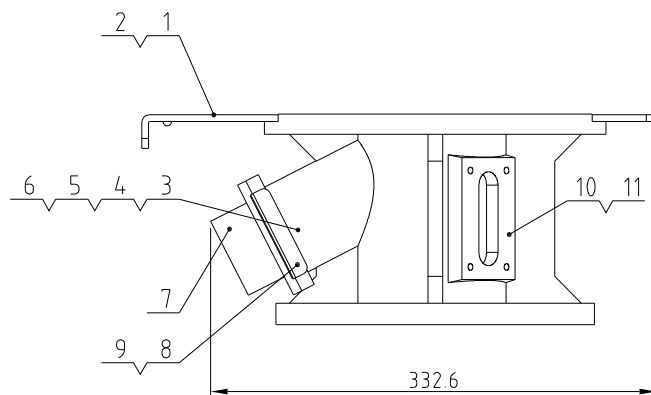
× means possible broken parts.

×× means easy broken part, and spare backup is suggested.

Please confirm the version of manual before placing the purchase order to guarantee that the item number of the spare part is in accordance with the real object.

19	BH90115300450	EGO Assembly		1	
18	SHD-300U-C-03	Control Box Bottom Plate	SECC1.5	1	
17	YW65050000000	Standard Spring Washer GB/T 93 5		4	
16	YW66051000000	Plain Washer Grade A GB/T 97.1 5		4	
15	YW64050300000	Hexagon Nut GB/T 6170 M5		4	
14	YR30172900000	Black Cable Grommet		1	
13	YR30000000100	Rubber Plug SHD Large SHD-20U-A-39		2	
12	YW00816100000	Door Lock (MS816-1 Black with Key)		1	
11	SHD-300U-C-02	Control Box Door	SPCC1.2	1	
10	YE67013500700	Quick Hose Connector WQ61-P13.5B/AD18.5		1	
9	YE67201500100	Copper Nickel-Plated Cable Gland LZ12-M20X1.5		1	
8	YW67050800000	Cross Recessed Pan Head Self-Tapping Locking Screw Q 650 M5X4		4	
7	BL03000040120	Cable Clamp Mounting Plate PG13.5 SF-S-01	SPCC1.5	1	
6	YP31051650000	Triangular Power 3-Phase 400V		1	
5	YW69020500000	Rivet GB/T 827 2X5		7	
4	YP30804900700	Aluminum Plate Template (Small) Group Universal 80X45mm		1	
3	YW62041000000	Cross Recessed Large Flat-Head Screw JIS 1111 M4X10		10	
2	YW06219200100	Hinge (Right) CL219		2	
1	SHD-300U-C-01	Control Box Body	SPCC1.2	1	
序号	代号	名称	材质	数量	备注

					制图	版号	0	标题	SHD-300U	图号		比例	1:7	数量	1
					设计	核		控制箱组件		SHD-300U-C-ALL			材质	/	
					校对	准		信易電熱機械股份有限公司 Shini Plastics Technologies, Inc.				表面要求	/		
标记	更改前	更改后	更改人	日期	审核	日期	20251204						物料号	/	

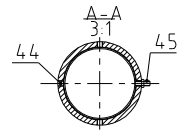
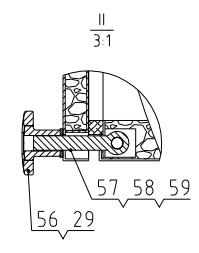
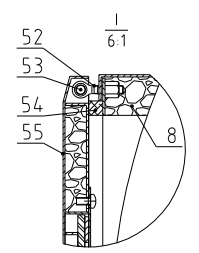
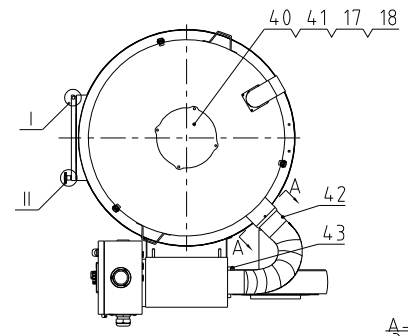
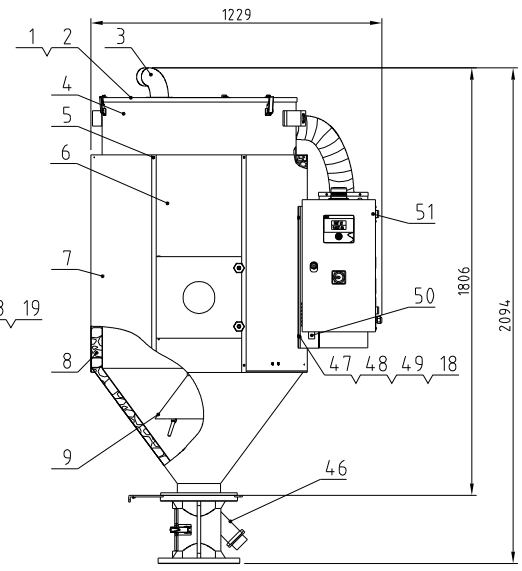
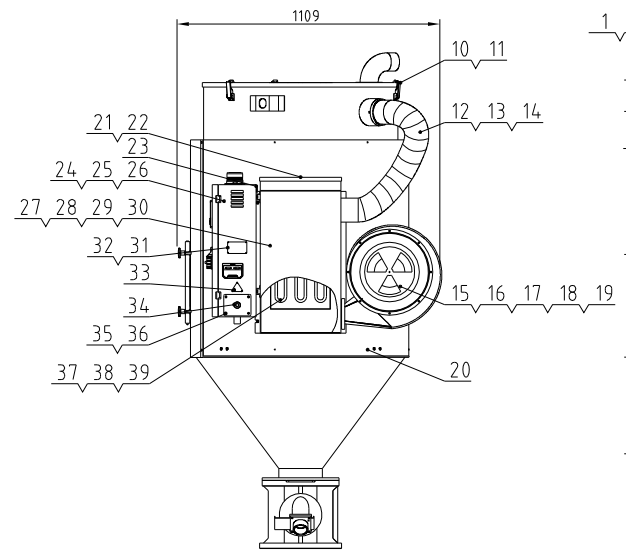


× means possible broken parts.
 ×× means easy broken part, and spare backup is suggested.
 Please confirm the version of manual before placing the purchase order to guarantee that the item number of the spare part is in accordance with the real object.

11	YW62051500000	Cross Recessed Large Flat Head Screw JIS 1111 M6X16	8		
10	YR90854800000	4-Hole Material View Window 85X48X5mm	1		
9	YW69616100000	Thumb Screw M6×16×16	1		
8	YW09106000000	Small Material Shutoff Plate SHD-100/600	1		
7	BA10200100110	Material Discharge Outlet HB-200-A-03	1		
6	YW66102500000	Plain Washer 10×25×1.5	4		
5	YW65010000000	Standard Spring Washer GB/T 93 10	4		
4	YW60104000100	Hexagon Head Bolt GB/T 5783 M10X40-8.8	4		
3	BA10200000110	Standard Base HB-200-A-01	1		
2	YW61061001800	Hexagon Socket Head Cap Screw GB/T 70.1	1		
1	YW09102000000	Large Material Shutoff Plate HB-200-A-02	1		
序号	代号	名称	材料	数量	备注

					制图	版号	标题	图号	比例	1:5	数量	
					设计	核准	标准底座	HB-200-A-ALL			材质	/
					校对			信易電熱機械股份有限公司 Shini Plastics Technologies, Inc.	表面要求		/	
标记	更改前	更改后	更改人	日期	审核	日期			物料号	BY10200900150		

Blower power	Heater power	Capacity	Ver.
0.55kW	18kW	600L	Ver E

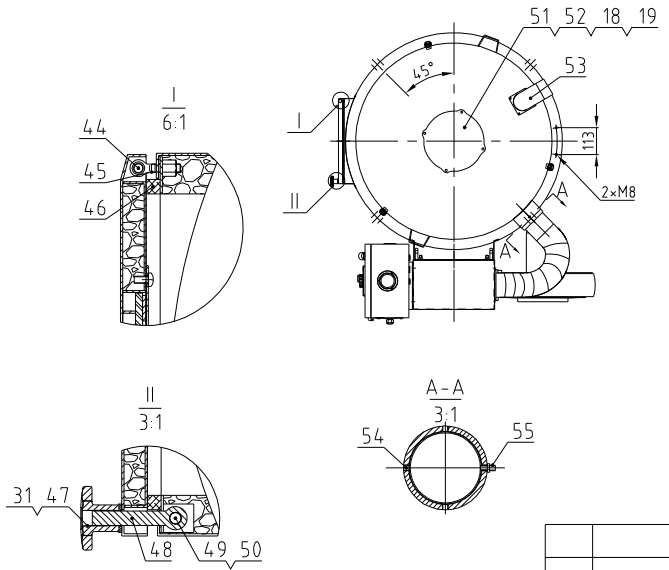
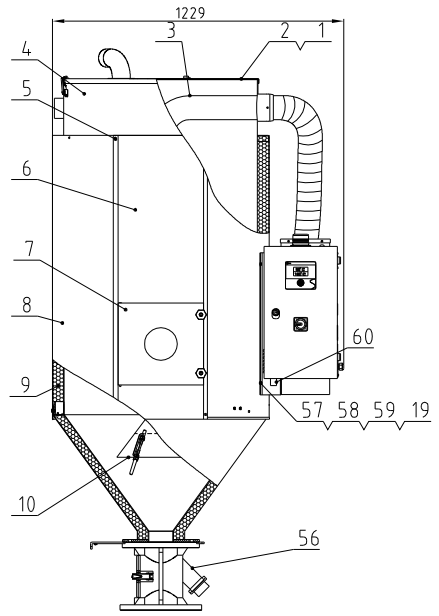
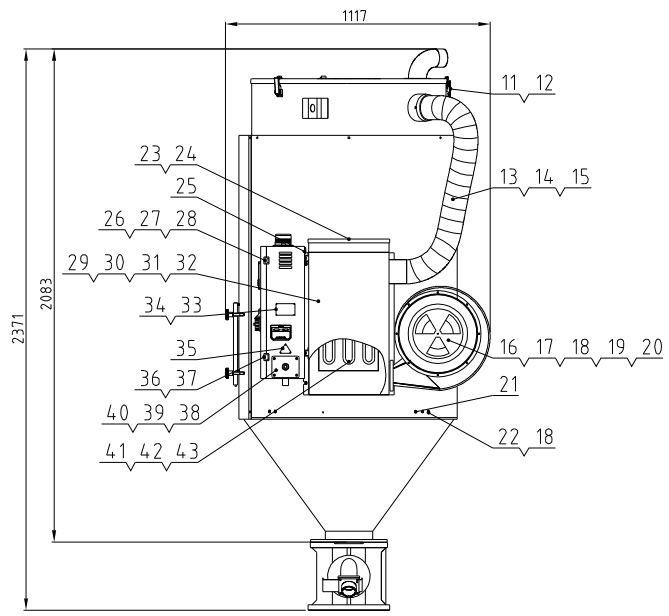


59	YW90012400200	Large Lifting Eye Bolt 100/200/400		2	14	YW72043600000	Heat resistant air pipe 4"	Assembly	0.264*
58	YW66000600000	Open Detaining Ring GB/T 896.6		2	13	YW02004500000	Stainless Steel Inne Clay 4.5" (9-11MM)	Assembly	2
57	YW90481203800	Cross Pin Length 48 SHD-1229		2	12	BW72119500010	Insulated heat resistant air pipe 52-900	Assembly	1
56	YW90001200300	Small Lifting Eye Nut SHD-1229		2	11	YW69050100000	Open Type Flat Head Hex Head Hex Nut Q/T		6
55	SHD-600U(750U)-A-05	Material View Door Assembly Drawing		1	10	YW02003000400	Adjustable Spring Rodlike 30L-40-4-35	Assembly	3
54	BR10600700110	Material View Door Fastener SD-400/750	Red Silicone	1	9	SHD-600U-A-49	Lower Blowing Bellmouth	SUS201	1
53	SHD-600U-A-56	Material View Door Latch		1	8	YP60252000000	Epoxy Glass Cloth Laminaste	Assembly	0.15
52	BL90630600190	Eye Bolt M6x30	SUS304	2	7	SHD-600U-A-03	External Insulation Board	SUS430(8)	1 Ink drawing
51	YW06219200100	Hinge (Right) CL219-2 Black		2	6	SHD-600U-A-02	External Material View Door Frame	SPCC15	1
50	YE67013500700	Quick Hose Connector WQ61		1	5	YW62061000000	Cross Hoesed Large Flat Head Screw		4
49	YW66081900000	Flat Washer 8x19x2.0		4	4	SHD-600U-A-04	Storage tank	Assembly	1
48	YW61083500000	Hexagon Socket Head Cap Screw Q/T 7U.1		4	3	SHD-600U-A-63	Exhaust Air Pipe	SUS201	1
47	SHD-600U-A-09	Heating Box Mounting Plate	SPCC2.5	1	2	YR10010040100	Oven Silicone Fastener	Silicone	2.7
46	BY10400900150	Magnetic Base Assembly MB-400		1	1	SHD-600U-A-64	Hopper Cover	SUS201	1
45	YE90059301300	Thermocouple 5x33Lx6R2M	Assembly	1					

44	YW68081000000	Hexagon Socket Flat Head Hex Screw Q/T 7U.1		3
43	BH90115300450	BGO Assembly		1
42	SHD-600U-A-01	Lower Blowing Air Pipe	SUS201	1
41	YW60082500100	Hexagon Head Bolt Q/T 5783 M6x5-12.9		4
40	BL02803700120	Inlet Sealing Plate SHD-600-A-37	SUS430	1
39	YW63062000000	Cross Hoesed Flat Head Screw Q/T 8U.1 M6x20		8
38	YR10607500100	Heating Box Upper Fastener SD-600-A-9 Version 0		1
37	BH70601800250	Electric Heating Tube SD-600-180 3Φ 230/400V	Assembly	1 *
36	YW67050800000	Cross Hoesed Flat Head Hex Head Hex Screw Q 600		6
35	BL02002500120	Cable Clamp Fixing Plate M25		1
34	YE67251500100	Copper Nickel-Plated Cable Clamp LTP-M25L5		1
33	YP31051650000	Delta Connection Power 3-Phase 400V		1
32	YW69020500000	Rivet GB/T 827 2x5		7
31	YP30804900700	Minimum Plate Impulse Drill Copy Internal Metric		1
30	YW64001000100	Hexagon Nut GB/T 6170 M10		4
29	YW66102000100	Flat Washer Grade A GB/T 97.1		10
28	YW65010000000	Standard Spring Washer GB/T 93 10		4
27	SHD-600U-A-51	Heating Box Welding Drawing		1
26	SHD-600U-A-35	Control Box Bottom Plate	SECC15	1
25	SHD-600U-A-34	Control Box Door	SPCC12	1
24	SHD-600U-A-33	Control Box Body	SPCC12	1
23	YR30000000100	Rubber Plug SHD Large	Rubber	3
22	YW62051000100	Cross Hoesed Large Flat Head Screw IS 10U.1 M6x20		8
21	SHD-600U-A-14	Heating Box Cover	SPCC15	1
20	YW69050400000	Open Type Flat Head Hex Head Hex Nut Q/T		15
19	BR10250300110	Blower Fastener SED-25-4U-03	White Silicone	1
18	YW65008000100	Standard Spring Washer GB/T 93 8		16
17	YW66081600000	Flat Washer Grade A GB/T 97.1		8
16	YW60083000200	Hexagon Head Bolt Q/T 5783 M6x20		4
15	BM30055000150	Blower 550W	Assembly	1

制图	版号	K	标题	SHD-600U	图号	SHD-600U-A-ALL	比例	1:20	数量	1
设计	核准		欧化料斗干燥机				表面要求		/	
校对	日期	20071215	SHINI 信易电热机械股份有限公司	Shini Plastics Technologies, Inc.		物料号	/			
标记	更改前	更改后	更改人	日期	审核	日期				

Blower power	Heater power	Capacity	Ver.
0.55kW	18kW	750L	Ver E



44	SHD-600U-A-56	Material View Door Latch		1	
43	YW63062000000	Cross Hexaned Flat Head Screw GB/T 6170 M6x20		8	
42	YR10607500100	Heating Box Support 30-600-4-0		1	
41	BH70751800250	Electric Heating Tube 30-500-200/200/400	Assembly	1	•
40	YW67050800000	Cross Hexaned Flat Head Screw GB/T 6170 M6x10		6	
39	BL02002500120	Cable Clamp Fixing Plate K25 50-5-01		1	
38	YE67251500100	Copper Winded Flatbed Cable Cloth L120 M5x1.5		1	
37	YW62041000000	Cross Hexaned Large Flat Head Screw JIS 1011 M6x10		8	
36	YW06219200100	Hinge (Right) CL219-2 Black		2	
35	YP31051650000	Mini Function Box 75mm 400 Minimum Flat Head Bolt		1	
34	YW69020500000	Rivet GB/T 827 2x5		7	
33	YP30804900700	Minimum Flat Hexagon (Small) Cross Hexaned Nut		1	
32	YW64001000100	Hexagonal Nut GB/T 6170 M10		4	
31	YW66102000100	Flat Washer Grade A GB/T 91.10 (12x6x2)		10	
30	YW65010000000	Standard Spring Washer GB/T 93 10		4	
29	SHD-600U-A-51	Heating Box Welding Drawing		1	
28	SHD-600U-A-35	Control Box Bottom Plate	SECC15	1	
27	SHD-600U-A-34	Control Box Door	SPCC12	1	
26	SHD-600U-A-33	Control Box Body	SPCC12	1	
25	YR30000000100	Rubber Plug SHD Large	Rubber	3	
24	YW62051000100	Cross Hexaned Large Flat Head Screw JIS 1011 M6x10		8	
23	SHD-600U-A-14	Heating Box Cover	SPCC15	1	
22	YW61082501200	Hexagon Socket Head Cap Screw GB/T 6170 M6x12.5		8	
21	YW69050400000	Open Type Flat Head Hex Head Bolt GB/T 6170 M6x10		15	
20	BR10250300110	Blower Fan Motor 300-5-4L-60 White Silicon	White silicon	1	
19	YW65008000100	Standard Spring Washer GB/T 93 8		16	
18	YW66081600000	Flat Washer Grade A GB/T 91.1 (6.4x16.6)		12	
17	YW66083000200	Hexagon Head Bolt GB/T 5783 M6x30-8.8		4	
16	BM30055000150	Blower 550W 230V/400V	Assembly	1	
15	YW72043600000	Flat Head Hex Head Bolt GB/T 6170 M6x10	Assembly	0.362	x
14	YW02004500000	Stainless Steel Hose Clamp 4.5" (91-114mm)	Assembly	2	
13	BW72750500010	Insulated Heat Resistant Air Pipe 300-500-1-15	Assembly	1	
12	YW69050100000	Open Type Flat Head Hex Head Bolt GB/T 6170 M6x10		6	
11	YW02003000400	Adjustable Spring Hacksaw 50-40-1-5 (Version C)	Assembly	3	
10	SHD-750U-A-08	Lower Blowing Bellmouth	SUS201	1	
9	YP60252000000	Epoxy Glass Cloth Laminate	Assembly	0.17	
8	SHD-750U-A-02	External Insulation Board	SUS430(0.8)	1	Ink drawing
7	SHD-600U(750U)-A-05	External View Door Assembly Drawing		1	
6	SHD-750U-A-06	External Material View Door Frame	SPCC15	1	
5	YW62061000000	Cross Hexaned Large Flat Head Screw JIS 1011 M6x10		4	
4	SHD-750U-A-01	Storage tank	Assembly	1	
3	SHD-750U-A-07	Lower Blowing Air Pipe	SUS201	1	
2	YR10010040100	Open Silicones Fastener J-type 2.0mm	silicones	2.7	
1	SHD-600U-A-64	Hopper Cover	SUS201	1	

60	YE67013500700	Quick Disconnect Plug P14 50/100L.6		1	
59	YW66081900000	Flat Washer 8x19x2.0		4	
58	YW61083500000	Hexagon Socket Head Cap Screw GB/T 6170 M6x12.5		4	
57	SHD-600U-A-09	Heating Box Mounting Plate	SPCC2.5	1	
56	BY10400900150	Magnetic Base Assembly 100-40 (Ver.A)		1	
55	YE90059301300	Thermocouple 5x93Lx10Rx2M	Assembly	1	
54	YW66081000000	Hexagon Socket Flat Head Set Screw GB/T 77 M6x1		3	
53	SHD-600U-A-63	Exhaust Air Pipe	SUS201	1	
52	YW60082500100	Hexagon Head Bolt GB/T 5783 M6x25-12.9		4	
51	BL02900600120	Inlet Sealing Plate SHD-900U-4-09		1	
50	YW900012400200	Large Lifting Eye Bolt 100/200/400		2	
49	YW66000600000	Open Retaining Ring GB/T 806 6		2	
48	YW90481203800	Cross Pin Length 48 S20-1280		2	
47	YW90001200300	Small Lifting Eye Nut S20-1280		2	
46	BR10600700110	Hex Head Bolt 10x30 (SHD-600U-A-62)		1	
45	BL90630600190	Eye Bolt M6x30 (SHD-600U-A-62)		2	

制图	版号	J	标题	SHD-750U	图号	SHD-750U-A-ALL	比例	1:20	数量	1
设计	核准		吹化料斗干燥机				表面要求	/		
校对	日期	20071215	SHINI	信易电热机械股份有限公司 Shini Plastics Technologies, Inc.		物料号	/			
标记	更改前	更改后	更改人	日期	审核					

