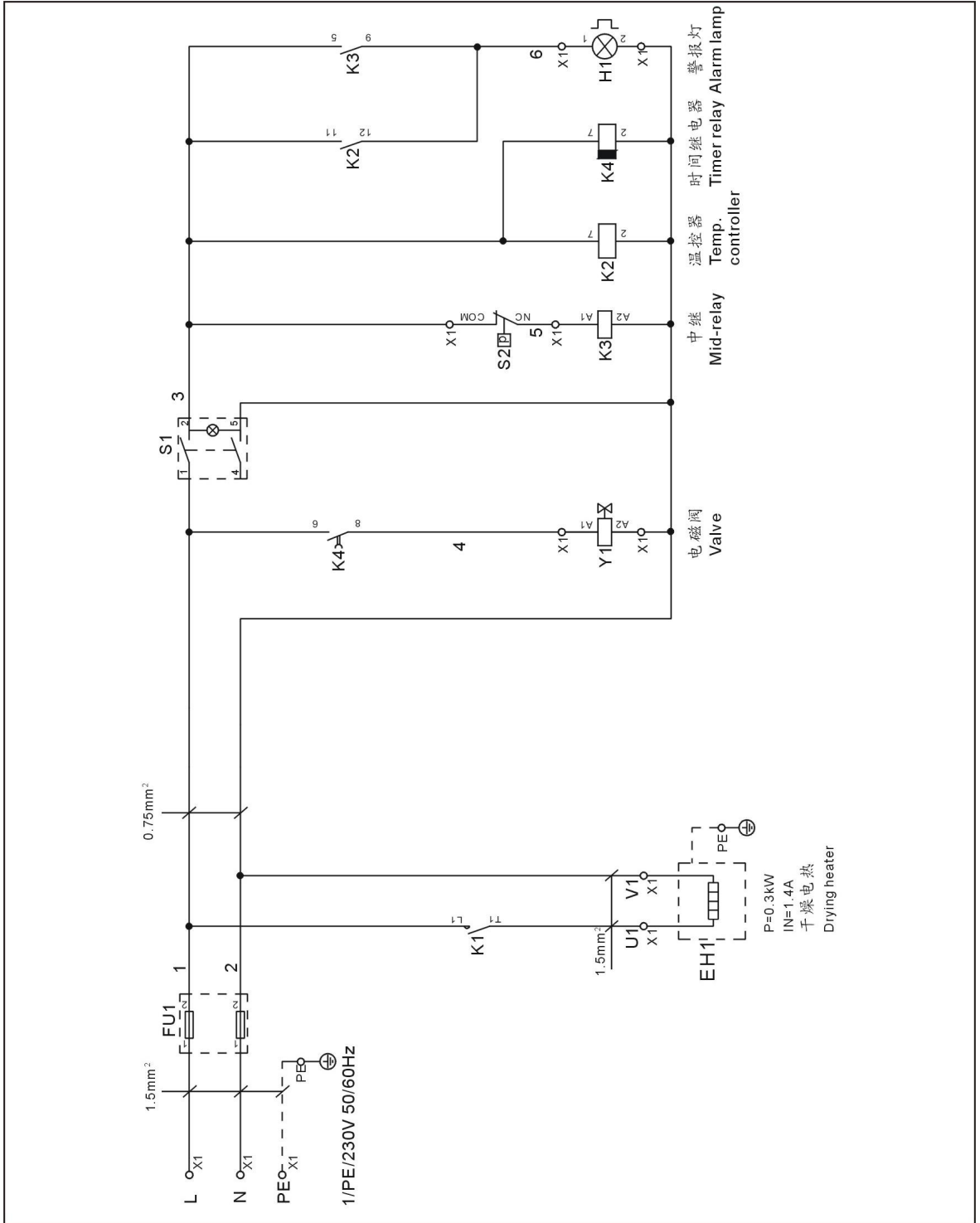
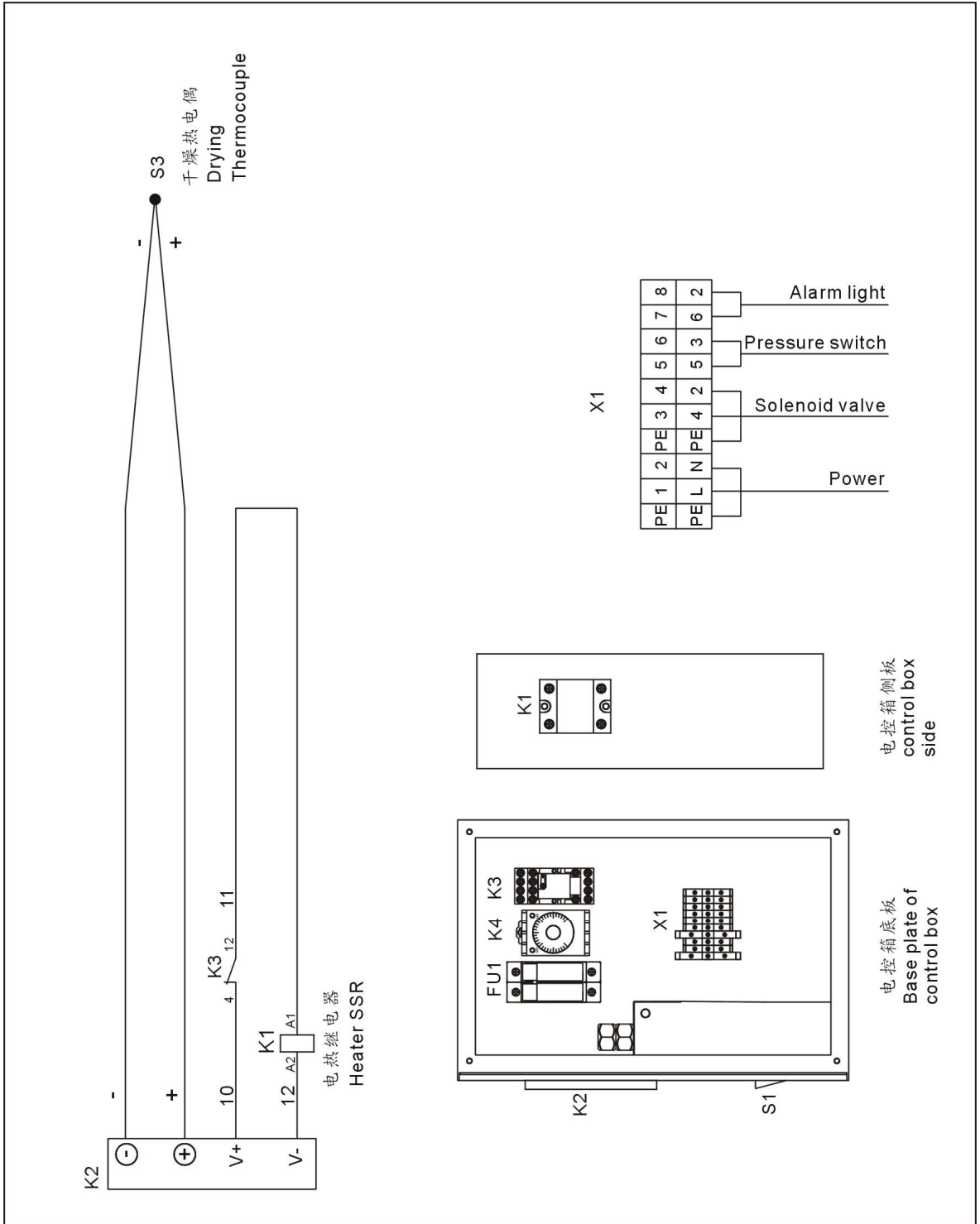


1. Electrical Diagram (SCAD-6U and Models Below)



2. Components Layout (SCAD-6U and Models Below)



3. Electrical Components List (SCAD-6U and Models Below)

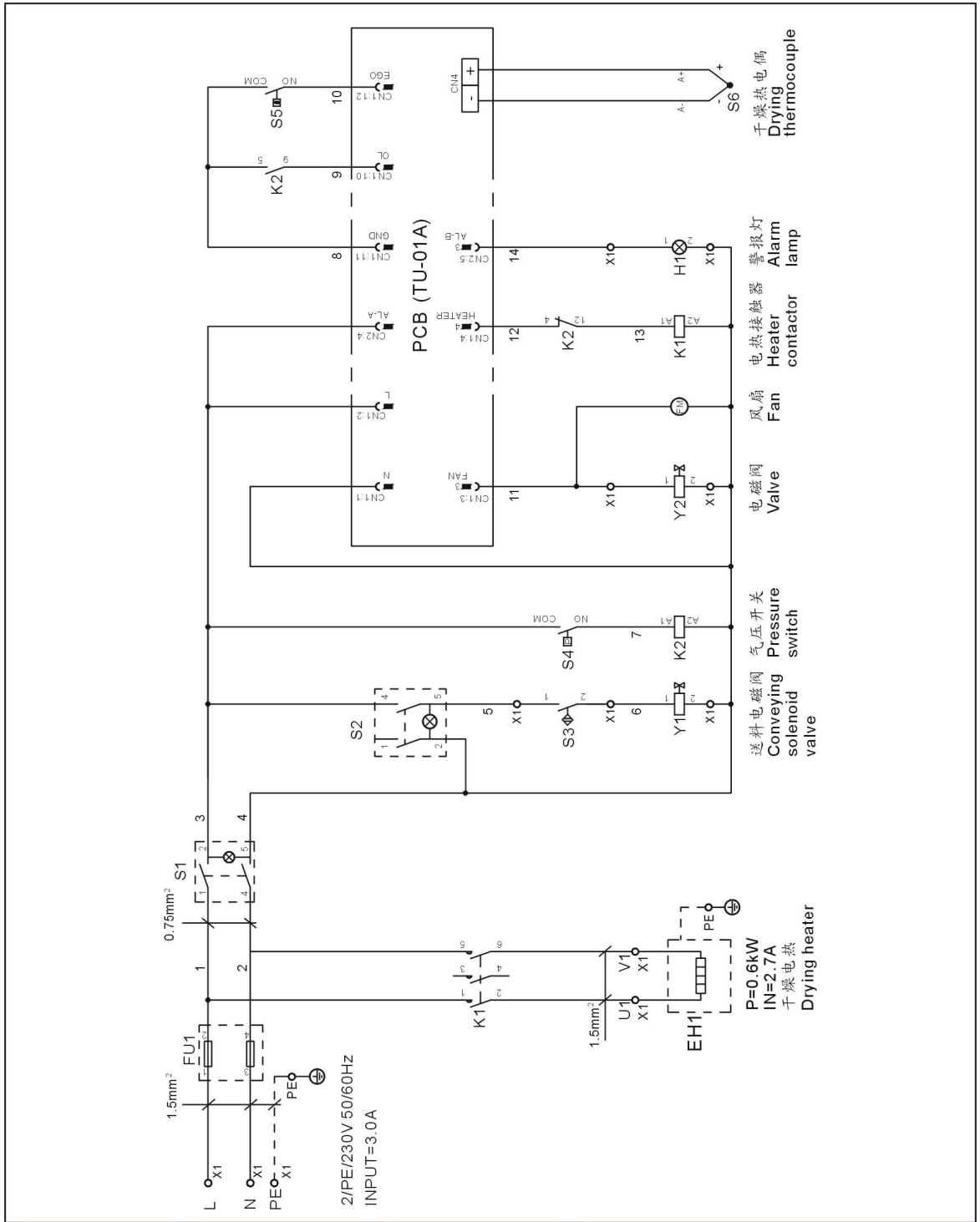
No.	Symbol	Name	Specification	Part No.
1	K1	SSR	24VDC	YE03404000000
2	K2	Temp. controller*	230V 50/60Hz	YE81020024000
3	K3	Middle relay	230V 50/60Hz	YE03270700000
4	K4	Time relay	230V 50/60Hz	YE86322000000
5	FU1	Fuse**	2P	YE41032200000
6	-	Fuse core	4A	YE46004000100
7	S1	Shift switch	4P WH	YE10210400000
8	S2	Pressure switch	1.5KG	-
9	S3	Thermocouple	1.5m	BE90015000050
10	H1	Alarm lamp	230VAC	YE83305100200
11	X1	Terminal block	-	YE61250000000
12	-	-	-	YE61253500000
13	Y1	Solenoid valve**	230V 50/60Hz	-
14	EH1	Heater**	230V 50/60Hz	-

* means possible broken parts.

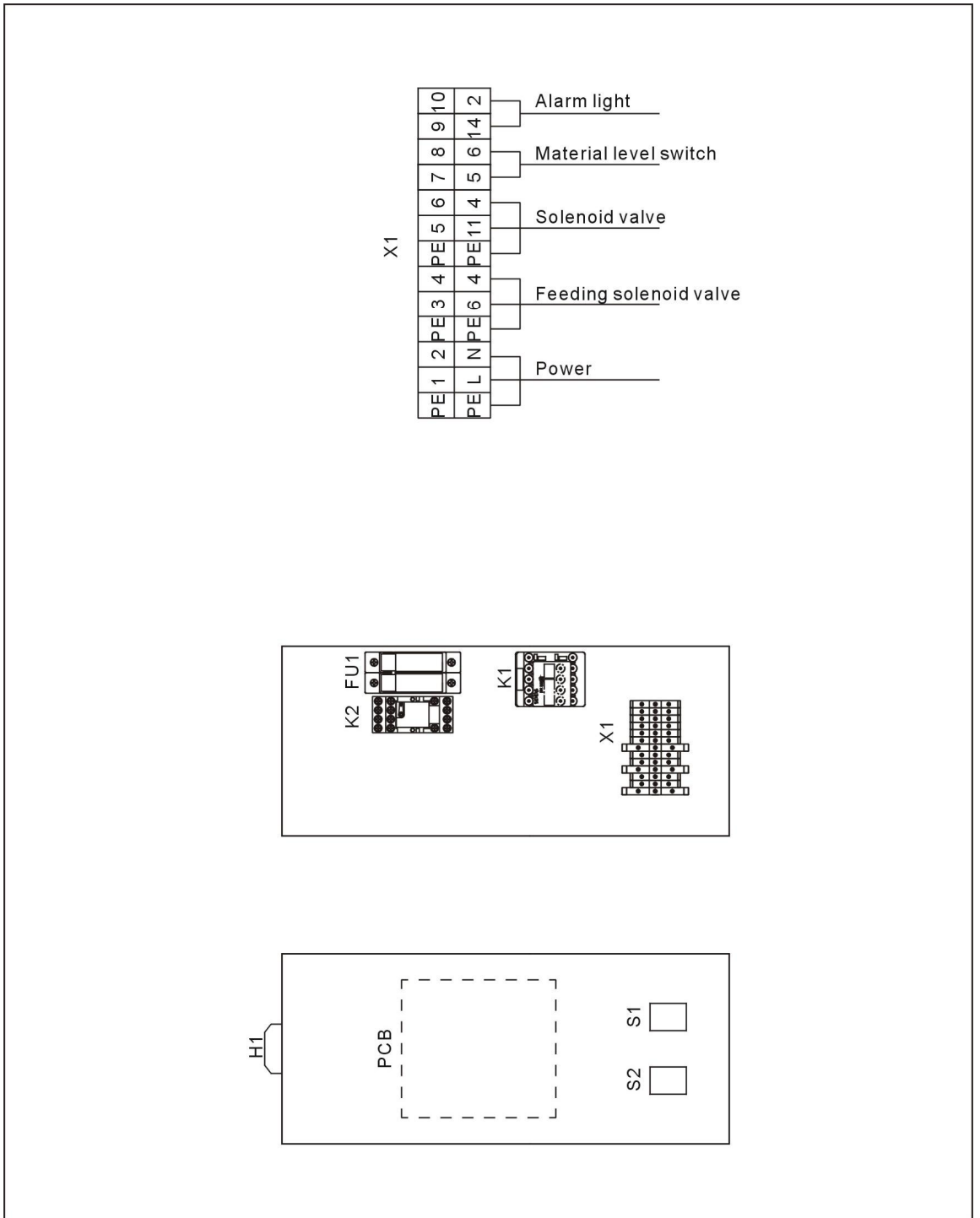
** means easy broken part. and spare backup is suggested.

Please confirm the version of manual before placing the purchase order to guarantee that the item number of the spare part is in accordance with the real object.

4. Electrical Diagram (SCAD-12U and Models Above)



5. Components Layout (SCAD-12U and Models Above)



6. Electrical Components List (SCAD-12U and Models Above)

No.	Symbol	Name	Specification	Part No.
1	K1	AC contactor	230V 50/60Hz	YE00601521000
2	K2	Middle relay	230V 50/60Hz	YE03270700000
3	PCB	PCB	230V 50/60Hz	YE80001100000
4	FU1	Fuse	2P	YE41032200000
5	-	Fuse core	6A	YE46006000100
6	S1 S2	Shift switch	4P WH	YE10210400000
7	S3	Level switch	-	YE15002000000
8	S4	Pressure switch	-	-
9	S5	Over temperature protection device	-	-
10	S6	Thermocouple	1.5m	BE90015000050
11	H1	Alarm lamp	230VAC	YE83305100200
12	X1	Terminal board	-	YE61250000000
13	-	-	-	YE61253500000
14	Y1 Y2	Solenoid valve**	230V 50/60Hz	-
15	EH1	Heater**	230V 50/60Hz	-

* means possible broken parts.

** means easy broken part. and spare backup is suggested.

Please confirm the version of manual before placing the purchase order to guarantee that the item number of the spare part is in accordance with the real object.