

# **PNL Series**

## **Belt Conveyor**

Date: October 2021

Version: Ver.B (English)



## Contents

<b>1. General Description .....</b>	<b>4</b>
1.1 Coding Principle.....	5
1.2 Feature .....	5
1.3 Technical Specifications .....	7
1.3.1 Dimensions.....	7
1.4 Safety Regulations.....	8
1.4.1 Safety Signs and Labels.....	8
1.5 Exemption Clause.....	10
<b>2. Structural Features and Working Principle.....</b>	<b>11</b>
2.1 Function Description .....	11
2.1.1 Working Principle.....	11
<b>3. Installation Testing.....</b>	<b>13</b>
3.1 Attention.....	13
3.2 Horizontal Installation.....	13
3.3 Power Connections.....	14
<b>4. Operation .....</b>	<b>15</b>
4.1 Adjustment of the Height of the Conveyor .....	15
4.2 Adjusting Adjustor Panel.....	15
4.3 Adjusting the Central Postion of the PU Belt.....	15
<b>5. Trouble Shooting.....</b>	<b>18</b>
<b>6. Service and Maintenance .....</b>	<b>19</b>
6.1 Repair .....	19
6.2 Maintenance .....	19
6.2.1 Maintenance of the Gear Motor.....	19
6.2.2 Clearance of the Machine.....	20
6.2.3 Lubricate the Bearing .....	21
6.3 Maintenance Schedule .....	22
6.3.1 About the Machine.....	22
6.3.2 Check After Installation.....	22
6.3.3 Daily Checking .....	22
6.3.4 Weekly Checking.....	22

<b>7. Assembly Drawing</b> .....	<b>23</b>
7.1 Assembly Drawing .....	23
7.2 Parts list .....	24
7.3 Holder Parts .....	27
7.4 Pedestal Parts .....	28
<b>8. Circuit Diagram</b> .....	<b>29</b>

### Table index

Table 1-1: Dimensions List .....	7
----------------------------------	---

### Picture index

Picture 1-1: Dimensions .....	7
Picture 2-1: Working Principle.....	11
Picture 3-1: Horizontal Installation .....	13
Picture 3-2: Power Connections .....	14
Picture 3-3: Machine Installation Drawing.....	14
Picture 4-1: Conveyor Belt Adjusting Drawing .....	15
Picture 4-2: PVC Adjusting Drawing .....	16
Picture 6-1: Gear Motor .....	20
Picture 6-2: Bearing Lubricate Brawing.....	21

# 1. General Description



Please read this manual carefully before using this machine in order to operate correctly against any damage caused due to improper operation.



Forbidden to process flammable or toxic material!

Shini manufactures four types of belt conveyor under technical license from a leading European manufacturer.

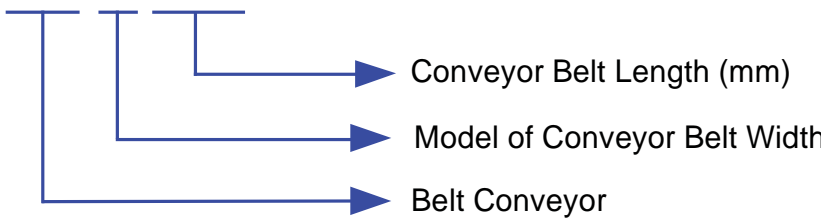
PNL series conveyor feature reliable performance and ease of operation and are suitable for use with CB or SV series conveyor or as stand-alone units.



Model: PNL-2

## 1.1 Coding Principle

PNL - x - Lxxxx



## 1.2 Feature

- Mounted on patented "FUTURE" floor stand.
- PVC belt is adopted for smooth and efficient conveying.
- Height adjustable floor stand. PNL series has angel adjustable function with a range of 0° ~ 25°.
- Sidewalls for PNL series are 75 mm respectively.
- Maximum loading capacity of C PNL series is 56kg.
- Standard with frequency converter, the normal application and safety speed control of the conveyor are within 3~6m/min.
- PNL series can optionally material fence to facilitate regrind conveying.
- Power supply for PNL series are 1Φ, 230VAC, 50/60Hz.

All service work should be carried out by a person with technical training or corresponding professional experience. The manual contains instructions for both handling and servicing. Chapter 6, which contains service instructions intended for service engineers. Other chapters contain instructions for the daily operator.

Any modifications of the machine must be approved by SHINI in order to avoid personal injury and damage to machine. We shall not be liable for any damage caused by unauthorized change of the machine.

Our company provides excellent after-sales service. Should you have any problem during using the machine, please contact the company or the local vendor.

Headquarter and Taipei factory:

Tel: (886) 2 2680 9119

Shini Plastics Technologies (Dongguan), Inc:

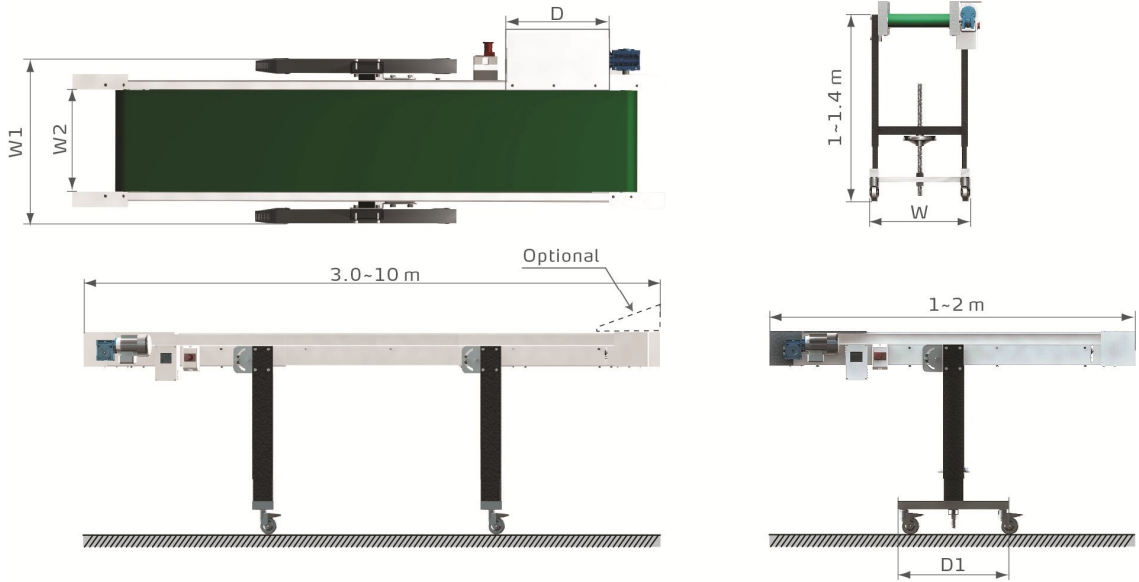
Tel: (86) 769 8111 6600

Shini Plastics Technologies India Pvt.Ltd.:

Tel: (91) 250 3021 166

# 1.3 Technical Specifications

## 1.3.1 Dimensions



Picture 1-1: Dimensions

Table 1-1: Dimensions List

Model	PNL-1	PNL-2	PNL-3	PNL-4	PNL-5	PNL-6	PNL-7	PNL-8
W (mm)	440	520	590`	720	820	1020	1220	1420
W1 (mm)	450	530	600	730	830	1030	1230	1430
W2 (mm)	220	300	370	500	600	800	1000	1200
D (mm)	500	500	500	500	500	500	500	500
D1 (mm)	650	650	650	650	650	650	650	650
Weight (kg)	93	100	106	117	126	143	160	180

We reserve the right to change specifications without prior notice.

## 1.4 Safety Regulations

To avoid any body injures and damages of the machine, please obey the regulations in this manual. When operating this machine, please obey the regulations as follows.

### 1.4.1 Safety Signs and Labels



Electrical installation should be done by qualified electricians. Turn off the main switch and control switch before servicing and maintenance.



Warning!

The sound level produced by the machine is < 70dB (max) at the position of the operator.



Notice:

Noise level test refers to the following conditions: 1m around the machine, 1.6m above the machine.



Warning!

- 1) Don't use the machine and don't try to repair it before carefully read this manual and understood all its parts completely.
- 2) In particular, it is important to adopt the precaution listed in section a 'safety instruction'.
- 3) It is forbidden to use the machine in any condition or for any use different from what is indicated in the manual. SHINI has no responsibility for breakdowns, trouble, or injuries caused by improper operation.



Attention!

No need for regular inspection because all the electrical parts in the control unit are fixed tightly!



Attention!

The maximum weight of the pieces to be carried on the conveyor belt must not be over 56kg in total (Conveying capacity is less than 56kg as the set value of the regulator is smaller than 4.5m/min).

The conveyor belts are not suitable to transport loose material.



Attention!

These conveyor belts can be easily used by all of the personnel of the plant they are installed in, and they do not present any risk for the operator, if used properly.

Therefore, it is recommended to read the manual carefully before using the machine.



Attention!

SHINI claims no responsibility when:

- 1) Use of the conveyor belt is in any way openly opposed to what is indicated in the present instruction manual.
- 2) There are feeding defects.
- 3) There is a serious deficiency of the foreseen maintenance.
- 4) Non-authorized changes are adopted.
- 5) Spare parts that are non-authorized or not suitable for the actual model are used.
- 6) There are exceptional events. Please don't disassemble the protector sponge and quick tube & nip in the outlet of collecting material box.



Danger!

Risk of fire: Risk of fire is present whenever the conditions of the conveyor belts are not suitable for the operation they are used for (in particular: temperature of the pieces carried). Adjust the condition of the conveyor belt according to the table shown here below.



Risks of high temperature: These conveyor belts are designed for transporting molded parts, i.e. hot pieces. If you need to operate on the

conveyor belt, use safety gloves ( in particular where the parts fall on the belt).

Type of belt	Max. temp. of parts
PVC	60°C



#### Attention!

The packing material must not be left around, and it must be disposed of according to the regulations in force. It is possible to lift the conveyor with a fork lift.



#### Danger!

To protect the operator's safety, and the integrity of the machine, assure the stable lifting of the conveyor. Once the conveyor belt is running, it is necessary to fix the machine by locking the castors. Moreover, suitable slings or fixtures must be attached, to keep it steady during transportation.

## 1.5 Exemption Clause

The following statements clarify the responsibilities and regulations born by any buyer or user who purchases products and accessories from Shini (including employees and agents).

Shini is exempted from liability for any costs, fees, claims and losses caused by reasons below:

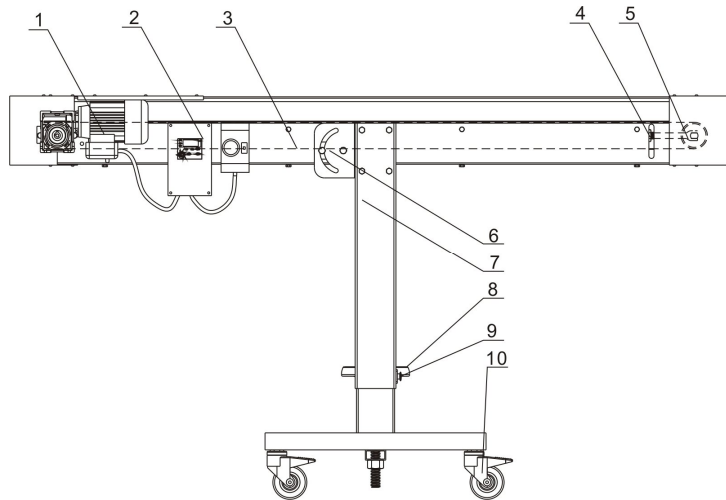
1. Any careless or man-made installations, operation and maintenances upon machines without referring to the Manual prior to machine using.
2. Any incidents beyond human reasonable controls, which include man-made vicious or deliberate damages or abnormal power, and machine faults caused by irresistible natural disasters including fire, flood, storm and earthquake.
3. Any operational actions that are not authorized by Shini upon machine, including adding or replacing accessories, dismantling, delivering or repairing.
4. Employing consumables or oil media that are not appointed by Shini.

## 2. Structural Features and Working Principle

### 2.1 Function Description

PNL series conveyor feature reliable performance and ease of operation and are suitable for use with CB or SV series conveyor or as stand - alone units.

#### 2.1.1 Working Principle



Parts name:

- |                        |                        |                    |
|------------------------|------------------------|--------------------|
| 1. Gearmotor           | 2. Frequency converter | 3. PVC belt        |
| 4. Adjusting screw nut | 5. Plug in screw       | 6. Adjusting board |
| 7. Base                | 8. Driving wheel       | 9. Star knob       |
| 10. Castor with brake  |                        |                    |

Picture 2-1: Working Principle

The conveyor belts of this series are made up of:

Equipped with 4 brake castors (10) base (7), the conveyor belt can be easily moved to the working area. The conveying rotor located on the top end is directly connected to the gear motor (1). The standard frequency converter (2) can adjust the speed of conveyor belt. The middle position and tightness level of the conveying belt can be changed by adjusting the nut (4) connected with the cross head screw (5). In addition, the conveying belt is connected with the support, so it can change the tilt angle by adjusting the screws on the two adjusting hole of the adjustable plate (6).

Generally speaking , the operator will stand at the conveyor top end (discharging area), and the controlling parts are located here as well.

### 3. Installation Testing

Read this chapter carefully before installation, Must observe the installation steps as follows!

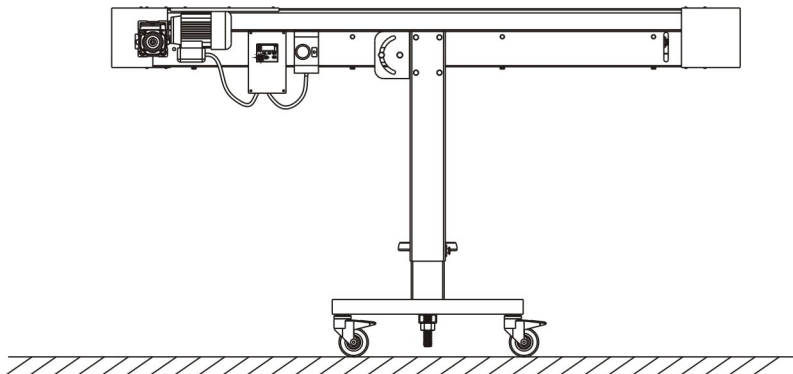


The connection of the power supply should be done by qualified electricians only!

#### 3.1 Attention

- 1) Verify that the power supply corresponds to the specifications of the plate near the controls of the conveyor.
- 2) Connect the power cable and the PE wire according to the local regulations.
- 3) Use independent power cable and switch, Make sure that the diameter of the cable is not smaller than the cable used in the control box.
- 4) The connection end of the power cable should be safely and tightly.
- 5) This series power adopts single phase power, power (L, N) live wire, null line and earth wire (PE).
- 6) Power supply requirement:  
Main power voltage:  $\pm 5\%$   
Main power frequency:  $\pm 2\%$
- 7) please refer to electrical drawing of each mould to get the detailed power supply specifications.

#### 3.2 Horizontal Installation

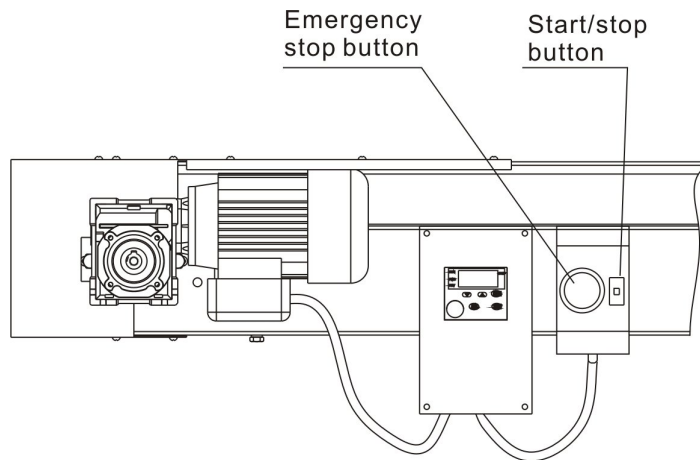


Picture 3-1: Horizontal Installation

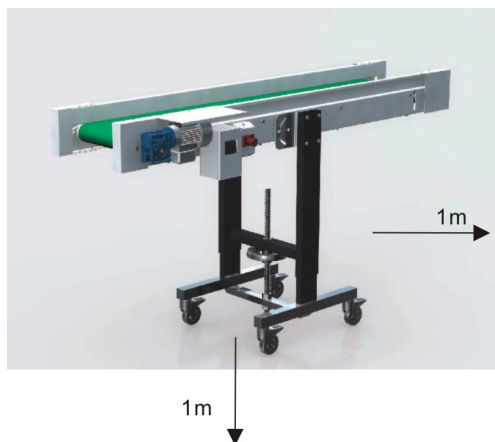
Conveyor don't require any particular preliminary operation before starting-up. With reference to the layout of the cables, make sure that they are protected against damage and that they don't hamper the operators.

### 3.3 Power Connections

The wire of the horizontal belt conveyor, speed regulator and motor protector should be connected strictly comply with the wiring diagram.



Picture 3-2: Power Connections



Picture 3-3: Machine Installation Drawing

**Attention: Machine should be kept 1 meter away from Inflammable.**

## 4. Operation

### 4.1 Adjustment of the Height of the Conveyor

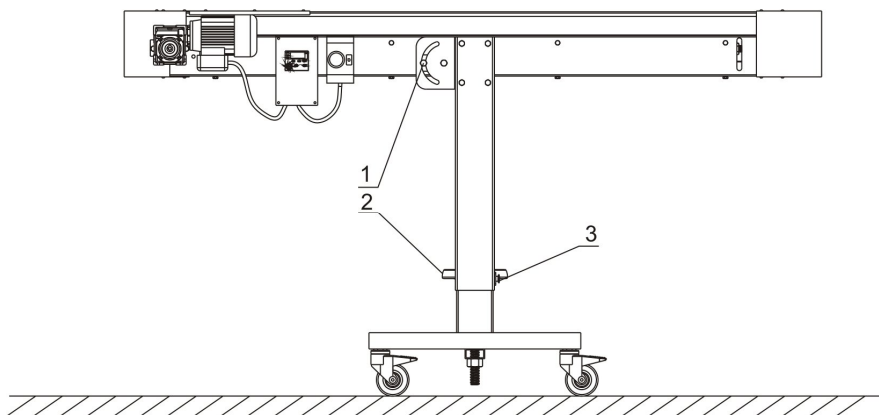
Loosen the plum flower screw (3), turn the rotation wheel (1), adjust conveyor to demand height, then tighten the plum flower screw (3).



When adjusting the height, please use the jack or support the conveyor as to prevent human or machine damage.

### 4.2 Adjusting Adjustor Panel

Loosen the lockup adjusting screw (2) to adjust the conveyor belt to the required height, and then tighten the screw again (2).



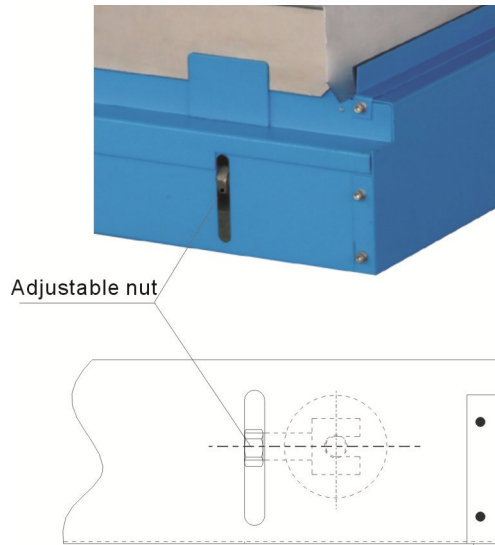
Picture 4-1: Conveyor Belt Adjusting Drawing

***Adjustable gradient is 0°~25°!***

***If the screw does not locked after adjusting the conveyor belt, the conveyor belt will lost it's balance!***

### 4.3 Adjusting the Central Postion of the PU Belt

Rotate this nut to adjust the central space of the PU Belt



Picture 4-2: PVC Adjusting Drawing



**Danger!**

To check the proper centering it is necessary to make the machine run. However, the adjustment must be done when the machine is stopped, and then the belt must be made to run only for the time necessary to verify its proper centering.



**Attention!**

On a monthly basis verify that the external temperature of the motor and gearbox is not too high (it should be between 60 and 20°C). In case it is different, contact the technicians at SHINI directly.



**Attention!**

- 1) The maximum weight of the pieces to be carried on the conveyor belt must not be over 56kg in total(Conveying capacity is less than 56kg as the set value of the regulator is smaller than 4.5m/min)..
- 2) Not suitable to transport loose material.
- 3) The maximum resistant temperature of PU belt is 60°C.



The operator, or the maintenance technician, must wear suitable work

clothes, without free parts. They must not wear chains, bracelets, or other objects which may be caught by mechanical parts in movement. In case of long hair, special hairnets must be used, to avoid the risk of being caught.

## 5. Trouble Shooting

Failures	Solutions
Connect the power, rotate the motor protector knob and turn on the RUN / STOP switch of the speed regulator, the motor doesn't run.	1. Check the circuit according to wiring diagram, the possible reasons can be as follows: a: The power is failure. b: The circuit is disconnected. c: The motor protector is damaged. d: The motor is failure.
The circuit breaker often trips off.	Check the circuit according to wiring diagram, the possible reasons can be as follows: a: The setting value of the breaker was too low, adjust the value to 1.1 times of the current one. b: Short circuit may exist. c: The motor protector is damaged. d: The motor is failure.

## 6. Service and Maintenance

Check whether there is oil leakage of the gear motor.

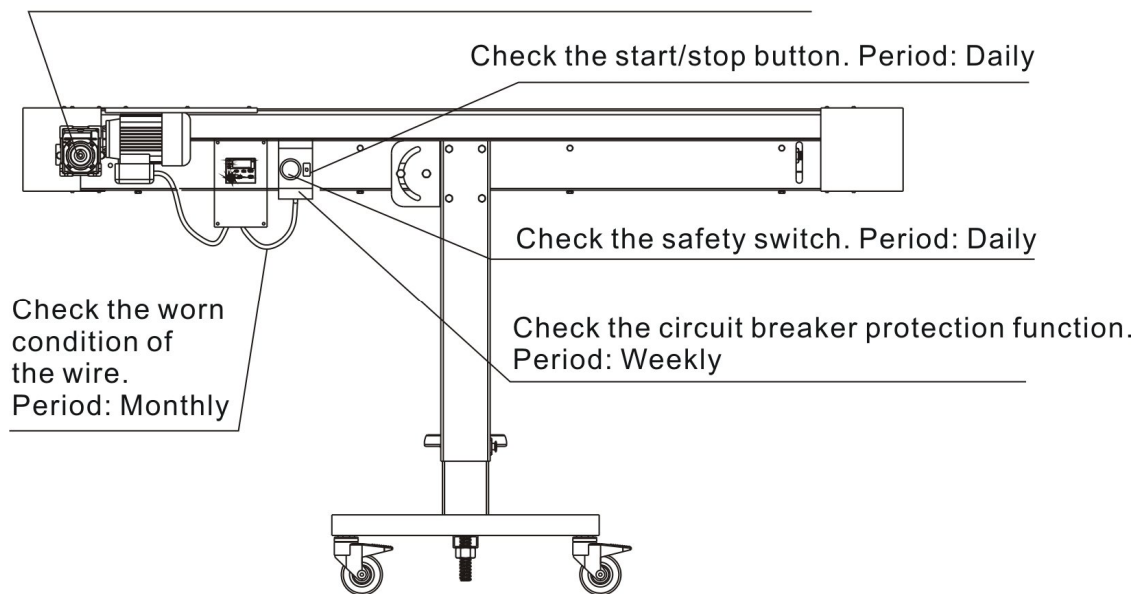
Period: Daily

The lubricate oil in the gear box should be replaced after it has been run 400hr at the beginning, and after that the oil replacing periods is about 4,000hr.

The lubricate oil in the gear motor must be sufficient.

Replenishment or renewal must be done when there is oil leakage or lube degeneration.

Period: Monthly



### 6.1 Repair

To avoid any body injury and damage of the machine, all of the repair work should be done by professional person only.

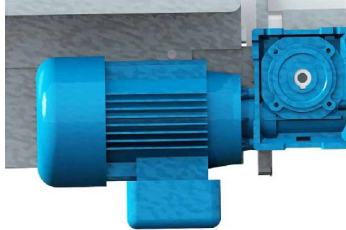
It is the duty of the operator to keep the machine clean from foreign matter, such as deposits, oil, or other materials. So it is necessary to clean the machine at the end of every working shift. This must be performed when the machine is stopped, in stable starting of the machine.

### 6.2 Maintenance

#### 6.2.1 Maintenance of the Gear Motor

Check if the reduced gears box is oil leaking and it should be examined periodically. When you find that the oil is reduced or the colour of it changed dark

and black, you must complement it or replace it immediately. Please be noticed that keep the surface of the gear motor cleaning. Move away the dust and the contamination in time so as to keep a good distribute of the heat.



Picture 6-1: Gear Motor

***Danger: Operating temperature range of gear motor is: 20°C  
-60°C.***

### 6.2.2 Clearance of the Machine

Please keep the machine clean from foreign matter, such as deposits, oil, or other materials. Do the cleanly work everyday.



It is forbidden to use flammable liquids during the cleaning operation. Periodically check the status of the PU belt, and replace it, if necessary. Once the machine has been cleaned, the operator must check for worn out or damaged parts (in which case, he must replace it immediately), or for parts which are not firmly fixed (in which case, he should fix them, if this is possible).



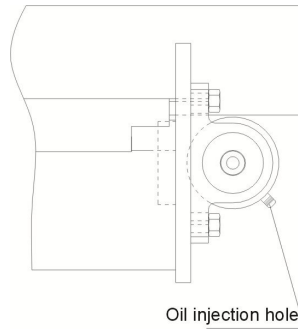
The machine protection and safety devices must not be removed, unless a specific repair and/or maintenance action is required. These protections must be put back as soon as the reason for their removal has disappeared, in any case, they must be installed before starting the machine.



If using compressed air, the operator must wear safety glasses, and make sure that nobody is near the machine, because they may be hit by materials and dust.

### 6.2.3 Lubricate the Bearing

On a monthly basis lubricate the two supporters near the unloading area of the conveyor, below the protection cover, as indicated by the drawing.



Picture 6-2: Bearing Lubricate Brawing

***Stop the machine and unplug the power supply before doing the repair or maintenance work.***

## 6.3 Maintenance Schedule

### 6.3.1 About the Machine

Model \_\_\_\_\_ SN \_\_\_\_\_ Manufacture date \_\_\_\_\_

Voltage \_\_\_\_\_  $\Phi$  \_\_\_\_\_ V Frequency \_\_\_\_\_ Hz Power \_\_\_\_\_ kW

### 6.3.2 Check After Installation

- Check if the body of the machine installed horizontal
- Check for eventual leaks of lubricant from the reduction gear
- Check the status about the PU belt

#### Electrical installation

- Voltage \_\_\_\_\_ V \_\_\_\_\_ Hz
- Check if the power connection of the control box is correctly

### 6.3.3 Daily Checking

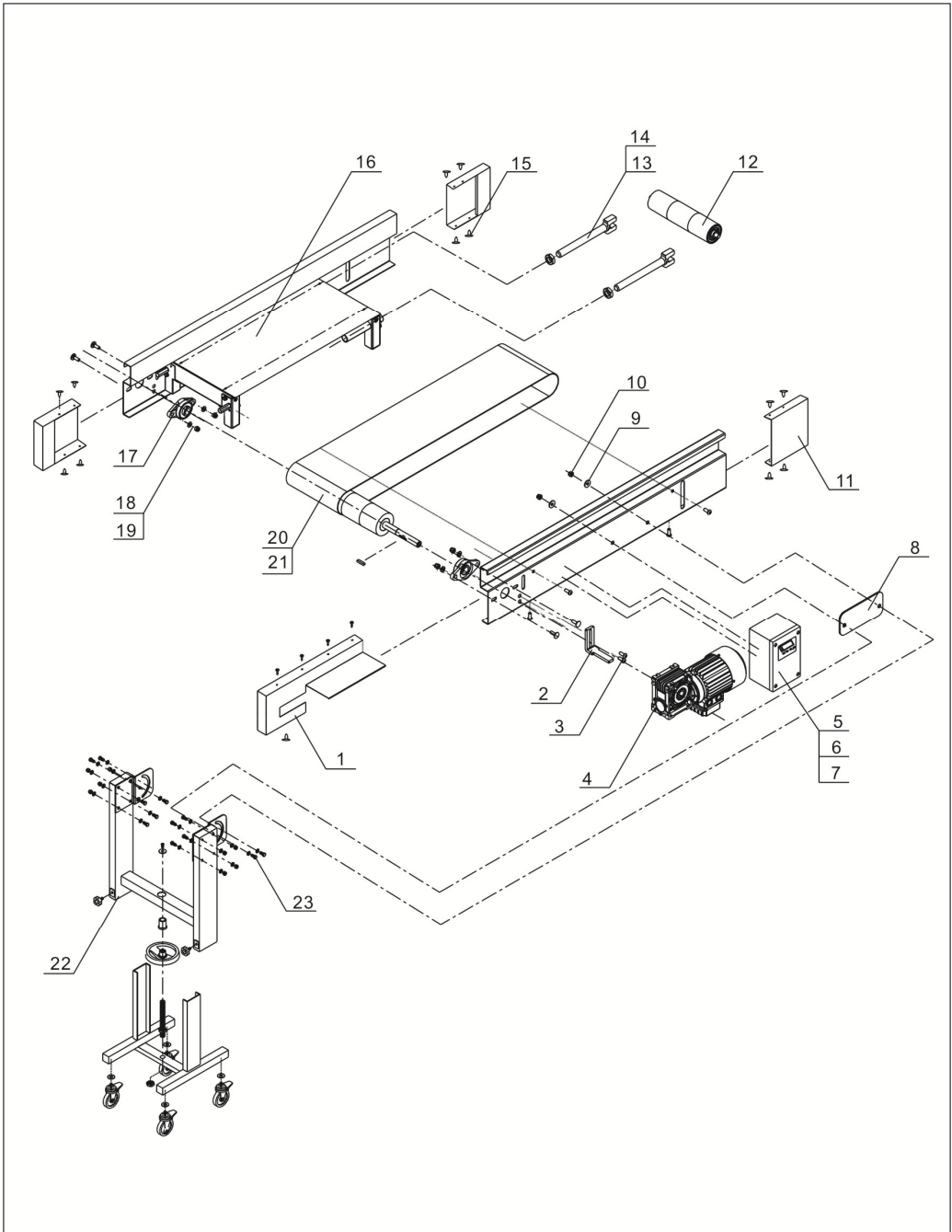
- Check the switches of the machine.
- Check if the reduction gears is oil leaking leaking.
- Check the function of the safety switch.

### 6.3.4 Weekly Checking

- Check all the electrical wires.
- Check the protection function of the breaker.

# 7. Assembly Drawing

## 7.1 Assembly Drawing



Note: Please refer to material list 7.2 about the parts code.

## 7.2 Parts list

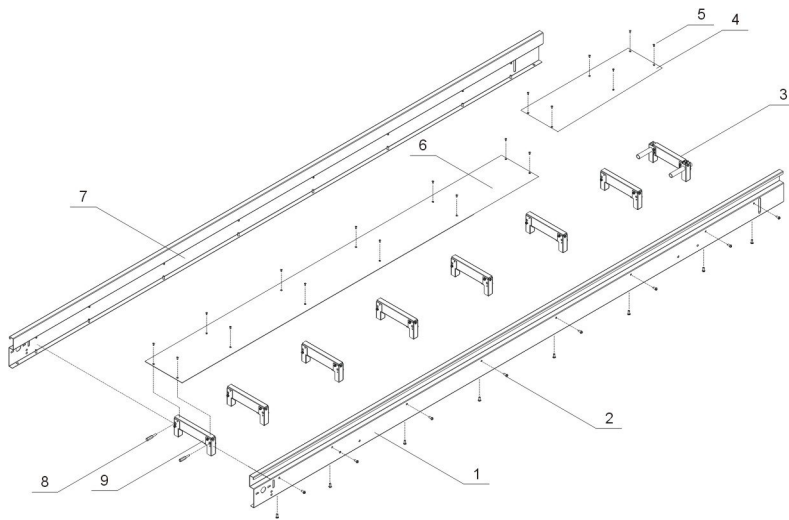
No.	Name	Part No.		
		PNL-1	PNL-2	PNL-3
1	End cover 2	BL56000042020	BL56000042020	BL56000042020
2	Motor holder	BL56000000420	BL56000000420	BL56000000420
3	Hexagon screw bolt	YW60082500300	YW60082500300	YW60082500300
4	Gear motor	YM50406000300	YM50406000300	YM50406000300
5	Frequency converter shell	BL56000240020	BL56000240020	BL56000240020
6	Frequency converter cover	BL56000140020	BL56000140020	BL56000140020
7	Frequency converter	YE75044300600	YE75044300600	YE75044300600
8	Holder pad	BL56004300020	BL56004300020	BL56004300020
9	Gasket	YW66122400000	YW66122400000	YW66122400000
10	Star screw nut	YW64012100000	YW64012100000	YW64012100000
11	End cover 1	BL56000041020	BL56000041020	BL56000041020
12	Iron stick	YW08010600600	YW08020600600	YW08030600600
13	Butterfly screw	BH10401101140	BH10401101140	BH10401101140
14	Hexagon thin nut	YW64200100000	YW64200100000	YW64200100000
15	Hexagon self-tapping screw	YW66061210000	YW66061210000	YW66061210000
16	Conveying belt assembly map	-	-	-
17	Bearing block parts	YW11205100100	YW11205100100	YW11205100100
18	Flat gasket	YW66122400000	YW66122400000	YW66122400000
19	Star screw nut	YW64012100000	YW64012100000	YW64012100000
20	Conveying belt	YR00120000200	YR00220000200	YR00320000200
21	Conveying wheel	YW08010100300	YW08020100300	YW08030100300
22	Exploded view of pedestal	BL56110020021	-	-
23	Hexagon screw bolt	YW60122500100	YW60122500100	YW60122500100
No.	Name	Part No.		
		PNL-4	PNL-5	PNL-6
1	End cover 2	BL56000042020	BL56000042020	BL56000042020
2	Motor holder	BL56000000420	BL56000000420	BL56000000420
3	Hexagon screw bolt	YW60082500300	YW60082500300	YW60082500300
4	Gear motor	YM50406000300	YM50406000300	YM50406000300
5	Frequency converter shell	BL56000240020	BL56000240020	BL56000240020

6	Frequency converter cover	BL56000140020	BL56000140020	BL56000140020
7	Frequency converter	YE80200000100	YE80200000100	YE80200000100
8	Holder pad	BL56004300020	BL56004300020	BL56004300020
9	Gasket	YW66122400000	YW66122400000	YW66122400000
10	Star screw nut	YW64012100000	YW64012100000	YW64012100000
11	End cover 1	BL56000041020	BL56000041020	BL56000041020
12	Iron stick	YW08041801800	YW08050600600	YW09502800000
13	Butterfly screw	BH10401101140	BH10401101140	BH10401101140
14	Hexagon thin nut	YW64200100000	YW64200100000	YW64200100000
15	Hexagon self-tapping screw	YW66061210000	YW66061210000	YW66061210000
16	Conveying belt assembly map	-	-	-
17	Bearing block parts	YW11205100100	YW11205100100	YW11205100100
18	Flat gasket	YW66122400000	YW66122400000	YW66122400000
19	Star screw nut	YW64012100000	YW64012100000	YW64012100000
20	Conveying belt	YR00420000400	YR00520000200	YR00620000200
21	Conveying wheel	YW08040100300	YW08050100300	YW08060100300
22	Exploded view of pedestal	-	-	-
23	Hexagon screw bolt	YW60122500100	YW60122500100	YW60122500100
No.	Name	Part No.		
		PNL-7	PNL-8	
1	End cover 2	BL56000042020	BL56000042020	
2	Motor holder	BL56000000420	BL56000000420	
3	Hexagon screw bolt	YW60082500300	YW60082500300	
4	Gear motor	YM50406000300	YM50406000300	
5	Frequency converter shell	BL56000240020	BL56000240020	
6	Frequency converter cover	BL56000140020	BL56000140020	
7	Frequency converter	YE80200000100	YE80200000100	
8	Holder pad	BL56004300020	BL56004300020	
9	Gasket	YW66122400000	YW66122400000	
10	Star screw nut	YW64012100000	YW64012100000	
11	End cover 1	BL56000041020	BL56000041020	
12	Iron stick	YW08047007800	YW08047008800	
13	Butterfly screw	BH10401101140	BH10401101140	
14	Hexagon thin nut	YW64200100000	YW64200100000	

15	Hexagon self-tapping screw	YW66061210000	YW66061210000	
16	Conveying belt assembly map	-	-	
17	Bearing block parts	YW11205100100	YW11205100100	
18	Flat gasket	YW66122400000	YW66122400000	
19	Star screw nut	YW64012100000	YW64012100000	
20	Conveying belt	YR00420007500	YR00420008500	
21	Conveying wheel	YW08070100300	YW08080100300	
22	Exploded view of pedestal	-	-	
23	Hexagon screw bolt	YW60122500100	YW60122500100	

Please confirm the version of manual before placing the purchase order to guarantee that the item number of the spare part is in accordance with the real object.

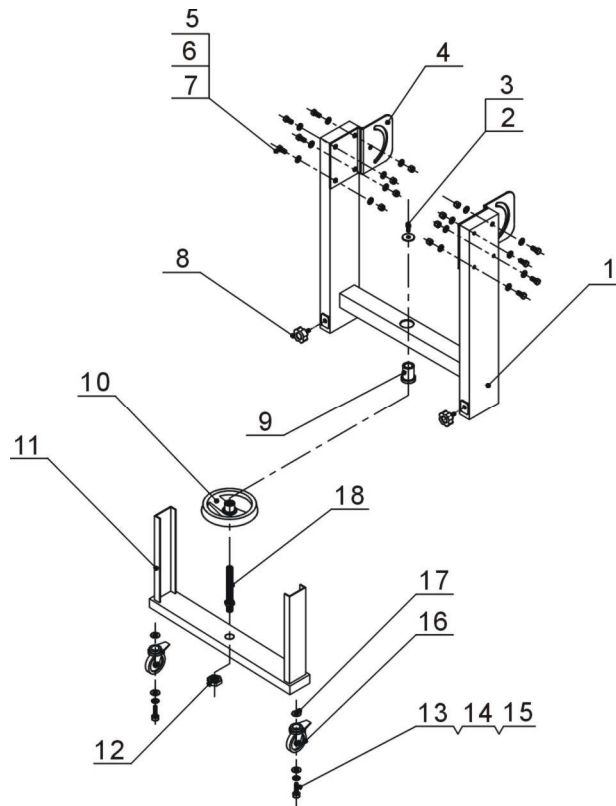
## 7.3 Holder Parts



Parts name:

- |                 |                            |                        |
|-----------------|----------------------------|------------------------|
| 1. Side plate   | 2. Hexagon screw bolt      | 3. Beam 2 assembly map |
| 4. Panel 2      | 5. Cross socket sunk screw | 6. Panel 1             |
| 7. Side plate 2 | 8. Hexagon screw           | 9. Beam 1 assembly map |

## 7.4 Pedestal Parts



Parts name:

- |                                     |                          |                     |
|-------------------------------------|--------------------------|---------------------|
| 1. Lifter assembly map              | 2. Adjusting bolt        | 3. Flat gasket      |
| 4. Adjusting plate                  | 5. Hexagon screw bolt    | 6. Flat gasket      |
| 7. Lock nut                         | 8. Star screw            | 9. Adjusting sleeve |
| 10. Driving wheel                   | 11. Pedestal welding map | 12. Star screw nut  |
| 13. Inner hexagon cylindrical screw | 14. Spring gasket        | 15. Flat gasket     |
| 16. Castor                          | 17. Flat gasket          | 18. Main screw      |

# 8. Circuit Diagram

12345678

ABCD

12345678

ABCD

Default settings of VFD-ME300 frequency converter factory parameters  
VFD-ME300变频器出厂参数默认设置

1.5mm<sup>2</sup>  
1/N/PE/230V 50Hz  
IN=2.2A

Q1  
1.6~2.5A  
SET:2.2A

L1 L3 L2

from the Granulator control box  
来自粉碎机控制箱

X1 Connection diagram of metal connectors  
X1金属插头接线示意图  
(皮带输送机与粉碎机互锁插头)  
Connector of belt conveyor and granulator

Linkage control contact  
联锁控制触点

1.5mm<sup>2</sup>

M1  
3~

P = 0.25kW  
IN=1.39A  
减速机电机  
Gear box motor

参数 Parameter	参数功能 Parameter function	参数设置 Parameter setting value	备注说明 Remarks Notes
00-04	显示多功能选择 Display multifunctional display contents	4	显示输出电压 Display output voltage
01-00	上限频率 Upper limit frequency	50.00	最大频率50Hz Max. frequency 50Hz
01-11	下限频率 Lower frequency limit	25.00	最小频率25Hz Min. frequency 25Hz
01-12	第一加速时间 First acceleration time	3.0	加速时间3秒 Acceleration time 3 secs.
01-13	第一减速时间 First deceleration time	3.0	减速时间3秒 Deceleration time 3 secs.
00-20	主频率输入来源 Input source of main frequency	7	设定频率由面板 Set the frequency source (knob) on the panel.
00-21	运行操作手册 Operation instruction	1	外接端子操作 External terminal operation
00-23	运行方向选择 Selection of running direction	1	只可正转 Only forward rotation is allowed
02-35	重新设置后启动命令 Control command after reset power start	1	重新设置命令存在, 变频器运行 After reset, operation command exists, and the frequency transformer starts to run
00-32	数字操作器 Digital operator STOP	1	变频器控制, STOP有效 (变频器控制, STOP有效) Note: This parameter is only applicable to Delta VFD-ME300 Frequency converter. Do not use this parameter on frequency converters or controllers of other models.

开机顺序(先变频器), A(输出频率), A(输出速度), E(输出电压)

注: 本变频器适用于台达VFD-ME300变频器。  
请仔细阅读本变频器的使用手册。

Startup display (set frequency), H (output frequency), I (output current) and E (output voltage)  
Note: This parameter is only applicable to Delta VFD-ME300 Frequency converter.  
Do not use this parameter on frequency converters or controllers of other models.

机型版本 Ver. B

图号 CB/SV/PNL-CE-230V-D-1	比例 第 1 张
电气原理图	标准 CE
标题 SHINI 信易电热机械股份有限公司 Shini Plastics Technologies, Inc.	共 2 张
版号 核 准	机器电压 1φ230V
日期 20211019	机器频率 50Hz
制 图	
设计	
校对	
日期	
更改人	
更改后	
更改前	
标记	

