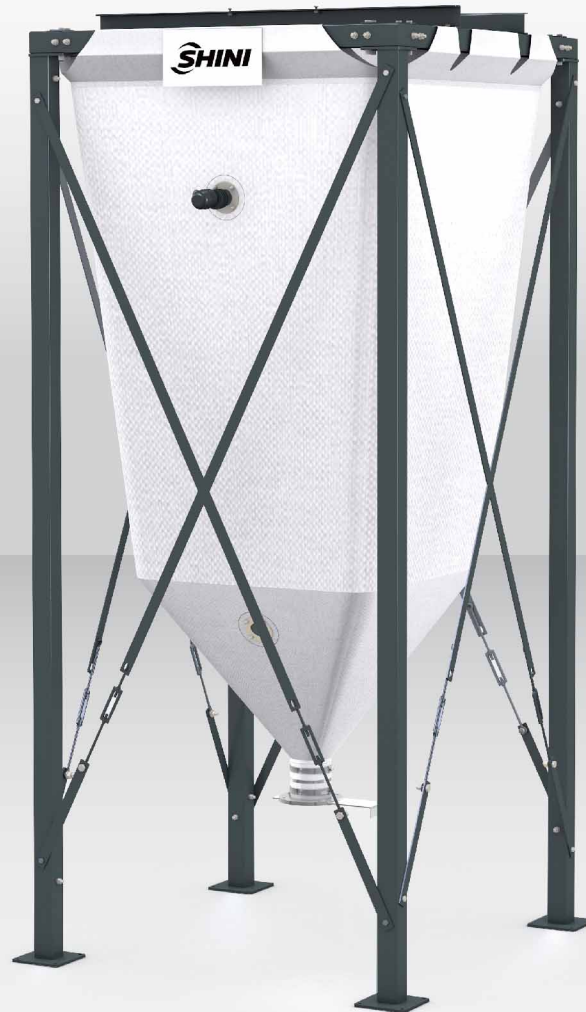




Fabric-flex Silo

SFS-25-12



Refer carefully to this manual before operation.

SFS Series

■ Coding Principle



■ Features

- Composite structure: The main body combines the stable steel frame with the high-performance fabric storage bag, ensuring structural robustness and durability.
- Special storage bag: The fabric storage bag offers high tear resistance, breathability, and electrostatic conductivity, which can effectively improve the safety and reliability during use.
- Premium Contact Parts: All loading and unloading components are made of SUS304 stainless steel to ensure no material contamination during loading and ensuring product quality.
- Vacuum Conveying & Feeding: It utilizes vacuum suction to feed the silo, enabling easy loading of the vacuum hopper receiver.
- High System Integration: It can be seamlessly integrated into central conveying system to achieve automated and highly efficient centralized conveying.

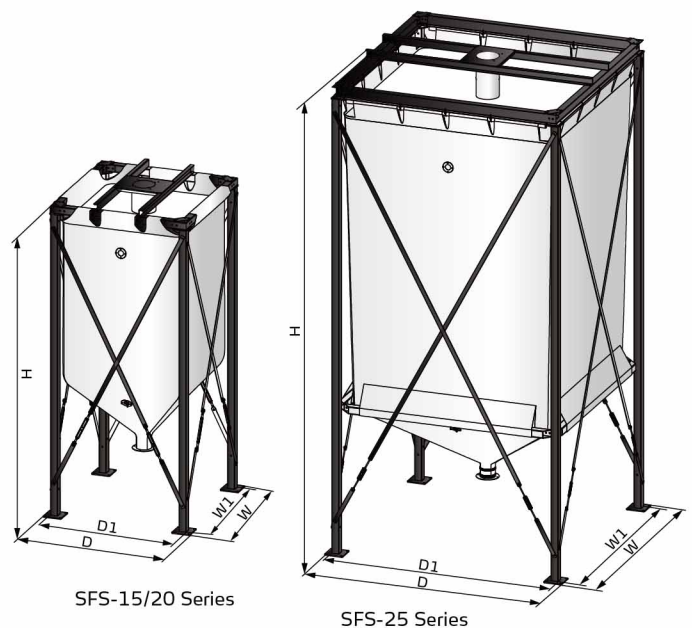
■ Application

Suitable for storing various types of solid resin pellets.

■ Options

- Level Monitoring (Optional): The level switch can be installed at the upper and lower position of the silo for precise monitoring of the high and low level. For model optional with the high-level sensor, add "HR" at the end of the model code. For model optional with the low-level sensor, add "LR" at the end of the model code. For model optional with the high and low level sensor, add "HLR" at the end of the model code.
- Weighing & Metering (Optional): The weighing module is optional to be mounted at the bottom of weighing sensor for recording and monitoring the material weight in real time, enabling precise warehouse management and data monitoring. For this model, add "WE" at the end of the model code.

■ Outline Drawings



■ Specification

Shini Fabric-flex Silo(1500mm×1500mm)							
Project	Assembly(frame)					Material	Silo
Model	W(mm)	W1(mm)	D(mm)	D1(mm)	H(mm)	Fabric Silo	Capacity(m ³)
SFS-15-2	1620	1500	1620	1500	2400	PP	2
SFS-15-3	1620	1500	1620	1500	3100	PP	3
SFS-15-4	1620	1500	1620	1500	3800	PP	4
SFS-15-5	1620	1500	1620	1500	4500	PP	5
SFS-15-6	1620	1500	1620	1500	5200	PP	6

Shini Fabric-flex Silo(2000mm×2000mm)							
Project	Assembly(frame)					Material	Silo
Model	W(mm)	W1(mm)	D(mm)	D1(mm)	H(mm)	Fabric Silo	Capacity(m ³)
SFS-20-6	2120	2000	2120	2000	3100	PP	6
SFS-20-8	2120	2000	2120	2000	3800	PP	8
SFS-20-10	2120	2000	2120	2000	4500	PP	10
SFS-20-12	2120	2000	2120	2000	5200	PP	12
SFS-20-14	2120	2000	2120	2000	5900	PP	14

Shini Fabric-flex Silo(2500mm×2500mm)							
Project	Assembly(frame)					Material	Silo
Model	W(mm)	W1(mm)	D(mm)	D1(mm)	H(mm)	Fabric Silo	Capacity(m ³)
SFS-25-12	2620	2500	2620	2500	3500	PP	12
SFS-25-15	2620	2500	2620	2500	4100	PP	15
SFS-25-18	2620	2500	2620	2500	4700	PP	18
SFS-25-21	2620	2500	2620	2500	5300	PP	21
SFS-25-24	2620	2500	2620	2500	5900	PP	24

Shini Group

Addr: No. 23, Minhe St., Shulin Dist.,
New Taipei, Taiwan

Tel: +886 2 2680 9119

Fax: +886 2 2680 9229

Email: shini@shini.com

Factories:

- Taiwan
- Dongguan
- Pinghu
- Ningbo
- Chongqing
- Pune

2026-04-15-04 Copyrights Reserved.

www.shini.com