

Crystallizing System

SICR-900U-ML



Refer carefully to this manual before operation.

SICR Series

■ Coding Principle

SICR-xxxU - xx

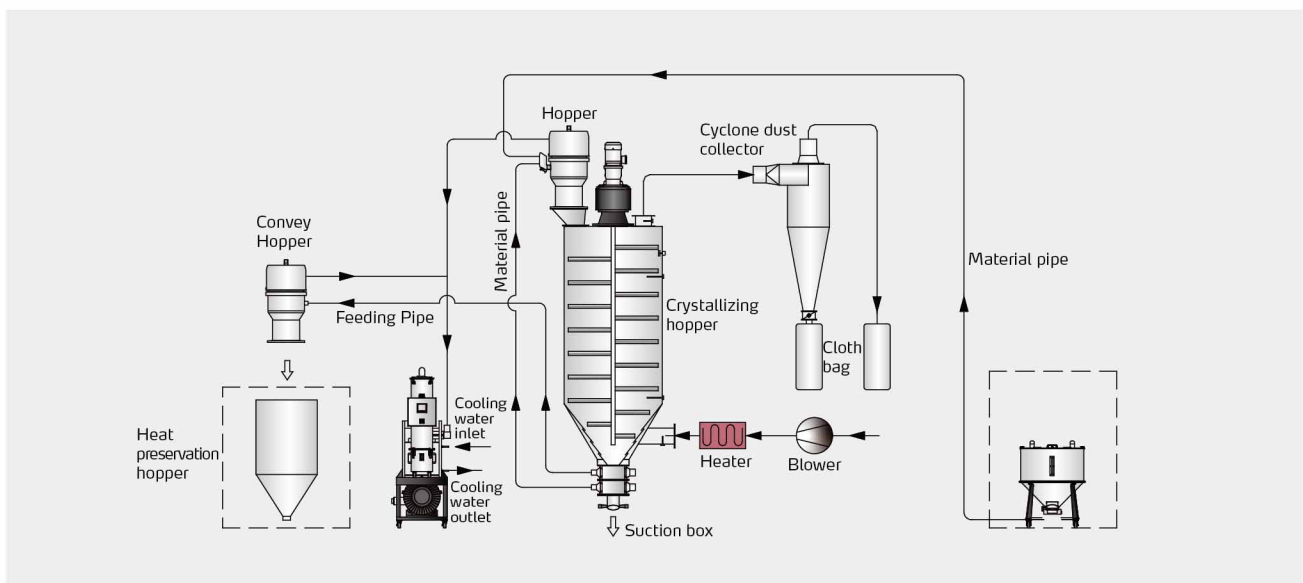


Inner Structure

■ Features

- Fix speed agitator controls materials through the crystallizing process to avoid the material from lumping together;
- Multi-step crystallizing temperature control ensures a simple and precise kick start of crystallization of non-crystalline material;
- The vacuum generator can work with the hopper and suction box to achieve auto loading and feeding;
- Siemens PLC controller with high reliability;
- 7" color screen for more intuitive control;
- SSR solid-state relay ensures precise temperature control;
- The cyclone dust collector can effectively collect the dust and reduce contamination of production space;
- With double overheat protection, it can reduce the possibility of either mechanical or manufactured problems;
- The material level switch can detect the material level accurately and make operation reliable;
- Safety switch ensures high machine safety during cleaning and maintenance.

■ Working Principle

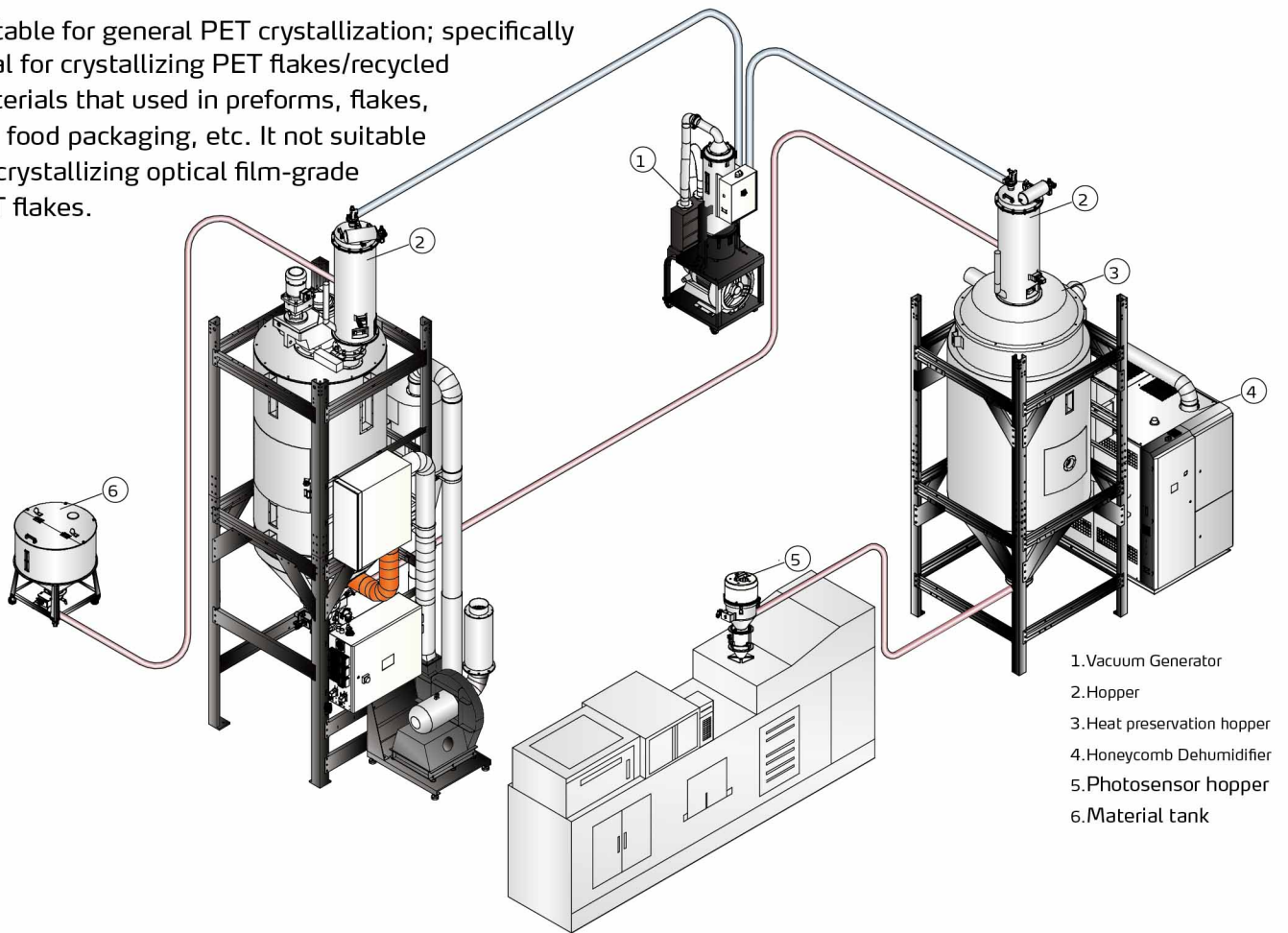


Options

- Safety ladder is optionally for SICR-900U and above models, and add "ML" at the end of the model code
- For models optional with stainless steel inlet and outlet pipes, add "SP" at the end of the model code

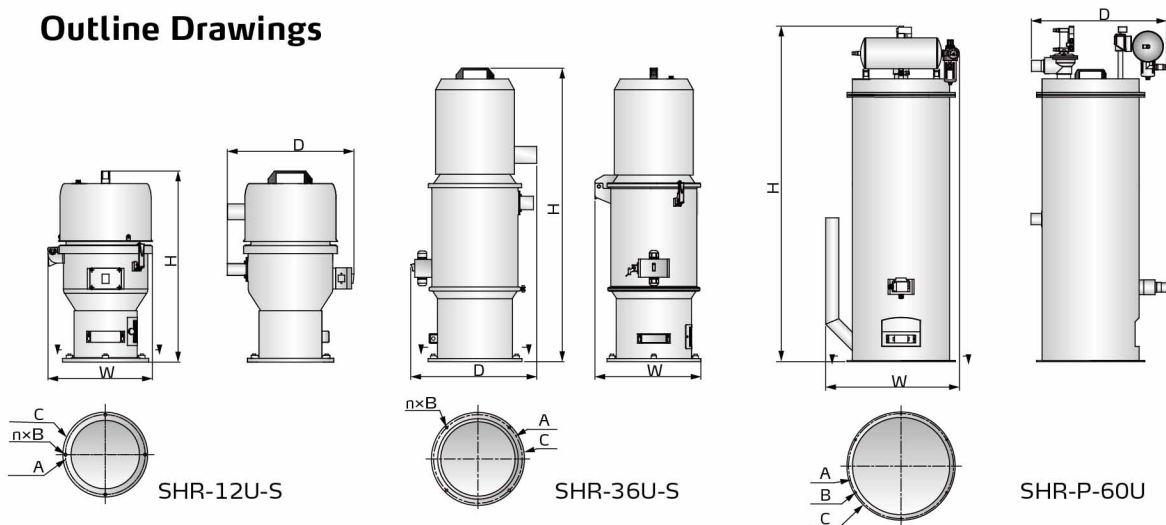
Application

Suitable for general PET crystallization; specifically ideal for crystallizing PET flakes/recycled materials that used in preforms, flakes, and food packaging, etc. It not suitable for crystallizing optical film-grade PET flakes.



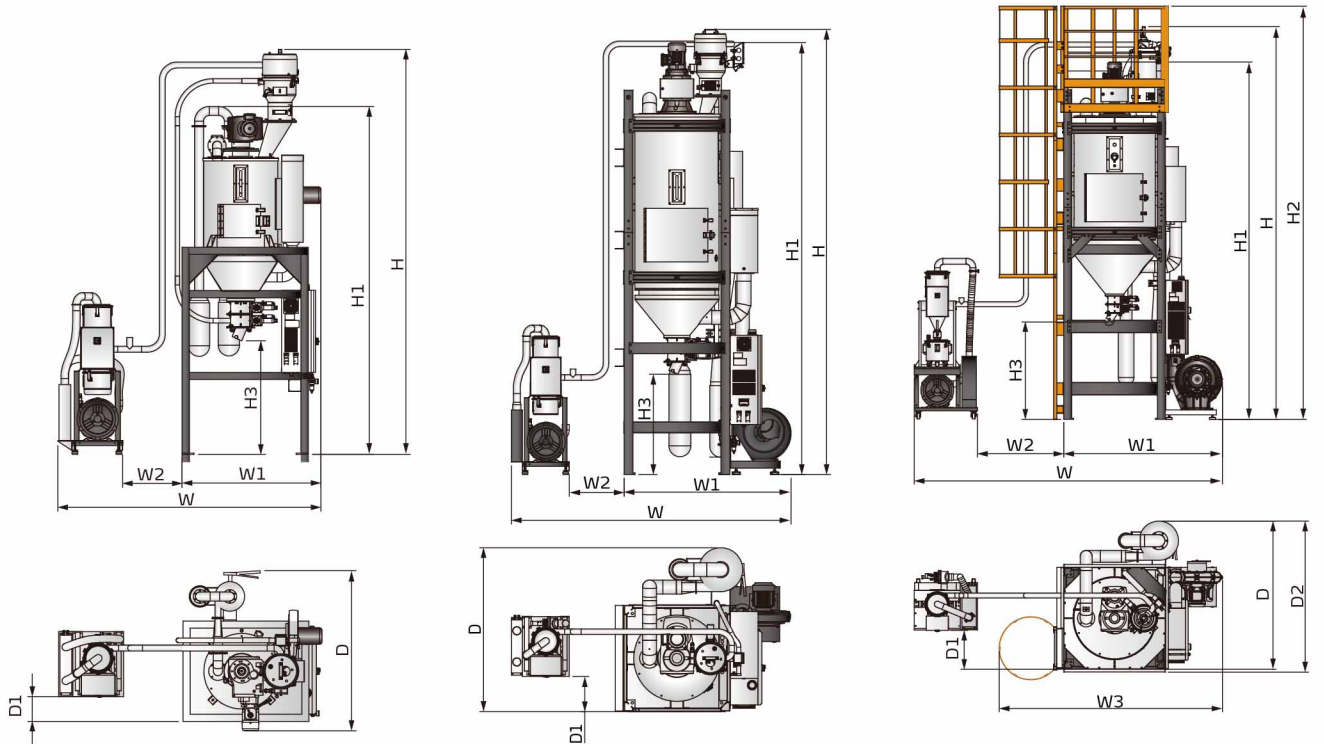
1. Vacuum Generator
2. Hopper
3. Heat preservation hopper
4. Honeycomb Dehumidifier
5. Photosensor hopper
6. Material tank

Outline Drawings



SICR Series

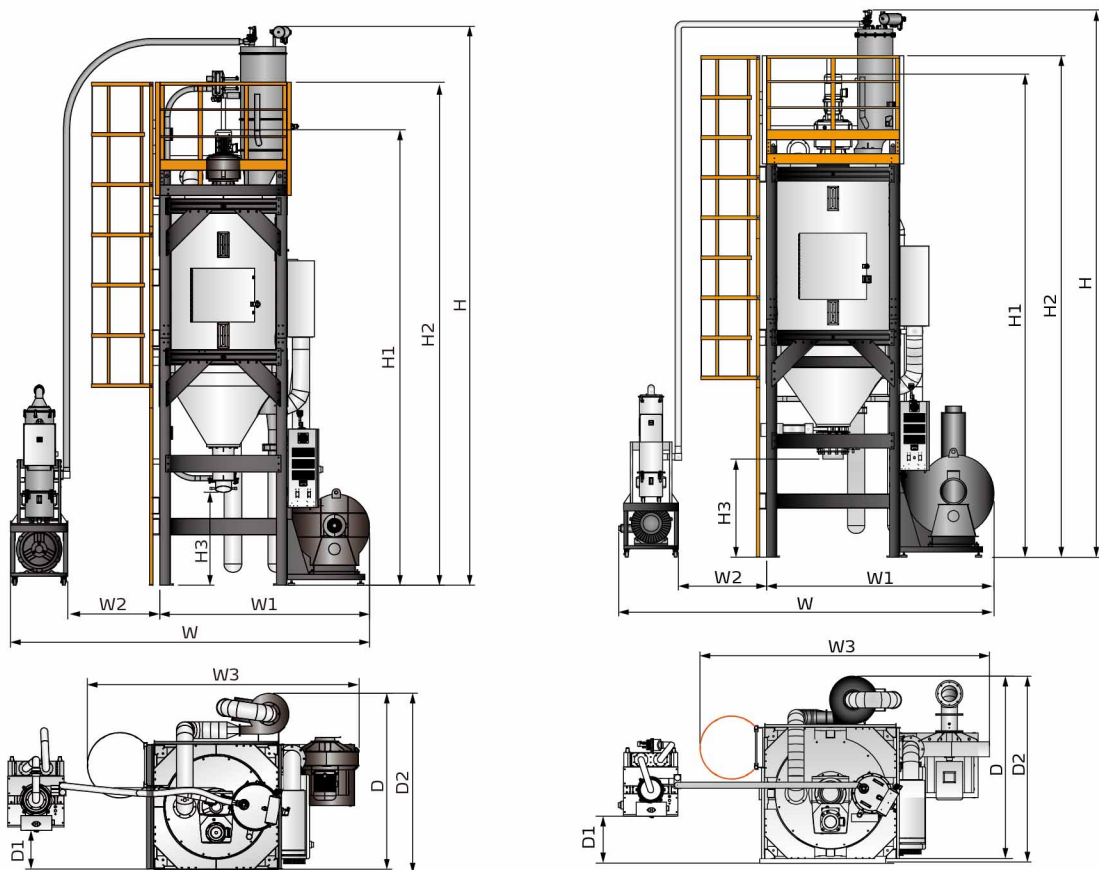
Outline Drawings



SICR-160U

SICR-450U

SICR-900U(Maintenance ladder is optional)



SICR-1600U(Maintenance ladder is optional)

SICR-2500U(Maintenance ladder is optional)



■ Specifications

Model	SICR-160U	SICR-450U	SICR-900U	SICR-1600U	SICR-2500U
Heater Power(kW)	12	24	48	96	128
Blower Power (kW)	0.55	2.2	3.7	7.5	15
Blending Motor Power (kW)	0.25	0.55	1.5	2.2	4
Max. Throughput (kg/hr)	50	150	300	500	750
Hopper Capacity (L)	160	450	900	1600	2500
H (mm)	3410	4053	4999	6675	6830
H1 (mm)	2930	3932	4550	5440	6028
H2 (mm)	-	-	5260	6005	6260
H3 (mm)	955	914	1238	1111	1224
W (mm)	2215	2545	3922	4343	4685
W1 (mm)	1169	1519	2019	2505	2840
W2 (mm)	500	500	1100	1100	1100
W3 (mm)	-	-	2841	3320	3658
D(mm)	1348	1492	1887	2145	2315
D1(mm)	210	320	496	469	541
D2(mm)	-	-	1923	2195	2361
Weight (kg)	330	595	1010	2530	3030
Vacuum Generator	SVG-5HP-C	SVG-5HP-C	SVG-10HP-C	SVG-20HP-D-C	SVG-20HP-D-C
Cooling Water Flow(L/min)	25	25	40	60	60
Cooler Inlet and Outlet Dia.(mm)	φ16	φ16	φ16	φ16	φ16
Hopper Receiver	SHR-12U-S	SHR-12U-S-MB	SHR-36U-S-MB	SHR-P-60U	SHR-P-60U
Hopper Receiver	Model	SHR-12U-S	SHR-12U-S	SHR-36U-S	SHR-P-60U
	Dimensions (mm) (H × W × D)	610×334×405	610×334×405	1094×395×469	1495×700×644
	Flange Mounting Hole(mm)A/n×B	φ 254.6/4×φ9	φ 254.6/4×φ9	φ 330/4×φ9	φ 570/6×φ9
	Flange Outer Diameter(mm)C	φ 271	φ 271	φ 347	φ 590
Vacuum Pipe Diameter(inch)	2	2	2.5	3	3
Material Conveying Pipe Diameter(inch)	1.5	1.5	2	2.5	2.5
Applicable Material	Granules	Granules	Granules	Granules/Regrand	Granules/Regrand

Notes:

- 1) Above maximum processing, capacity is obtained based on non-crystalline PET material (amorphous PET) of 0.85 kg/L in bulk density and 3~5mm in diameter under the temperature of 160°C;
- 2) The above parameters apply to models using recycled amorphous PET materials, and the length of recycled PET perform shall not exceed 10mm;
- 3) Cooling water pressure: 0.3~0.5MPa, cooling water temperature: ≤30°C;
- 4) Power: 3 φ, 400VAC, 50Hz

Shini Group

Addr: No. 23, Minhe St., Shulin Dist.,
New Taipei, Taiwan

Tel: +886 2 2680 9119

Fax: +886 2 2680 9229

Email: shini@shini.com

Factories:

- Taiwan
- Dongguan
- Pinghu
- Ningbo
- Chongqing
- Pune

2025-03-15-04 Copyrights Reserved.

www.shini.com