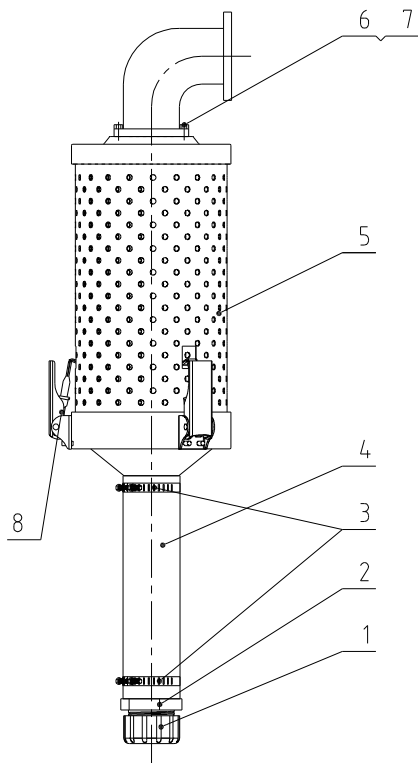


Blower Power		Pipe Heater Power	Hopper Capacity	Machine Version
50Hz:0.1kW	60Hz:0.125kW	2.2kW	12kg	Ver.C

46	YE60122000100	High-grade plastic coated metal hose φ20(φ13)mm Two ends are connected with zinc alloy outer wire M20-15	Assembly	1
45	BH70120300150	Pipe heater SEHD(SHD)-12-2 2KW/3φ 4.00V	Assembly	1
44	YE90055501300	Thermocouple 5-SSL+MB×1MSHD-400-A-24 ver.0	Assembly	1
43	YL01121500100	Pipe heater SHD-12E-A-09 drawing ver 0 Longfeng	Welding parts	1
42	YW60082000200	Hex bolt GB/T5783 M8x20-8.8-Longzine		4
41	YW90001200200	Hopper hinge SHD-12E-A-08 drawing ver 0 Longfeng	Assembly	1
40	YR10002500100	Cover fastener SHD-25 white silica gel has mould	White silica gel	1
39	YW90001202800	Hopper cover SHD-12E-A-05 drawing ver 0 Longfeng	SPCC10	1
38	YW62061000000	Large cross recessed flat head screw JIS11M M6x10-Longzine		3
37	BL011214.00120	Handle hook SHD-12E-A-14 drawing ver 0 has mould	SUS201	1
36	YW60083000200	Hex bolt GB/T5783 M8x30-8.8-Longzine		4
35	BW09202000000	Square plate SEHD-100-A-09 (ver 0)has mould	SPCC10	1
34	YW67030800000	Cross recessed pan head self-tapping set screw GB6560 M3-8 Longzine		2
33	BE85018000350	Thermal protector K88 centigrade (ver 0 SH) (Thermal protection normally open)has rubber steel	Assembly	1
32	YW00121000000	Handle hook SEHD-25-A-08(ver 0)has mould	Assembly	1
31	YW64000500000	Hex nut M5 anti-loose		6
30	BW09000630040	Sight glass iron sheet six hole (chrome-plated)	SPCC2.0	1
29	YR40001200000	Acrylic six-hole SEHD-12-A-12 (ver 0) Mat. PC (has mould)	PC	1
28	YR40000600000	Sight glass fastener six hole (has mould) SEHD-12-A-11(ver 0)	Rubber	1
27	YW66000600000	Ring opening GB/T896 6		2
26	YW90481203800	Horizontal pin 48 SHD-12EB (Longfeng)	Q235	2
25	YW66103200000	Large washer A grade GB/T96 1010 5x30x25 -Longzine		2
24	YW90001200400	Star ring screw small M10-4.0 SHD-12EB (Longfeng)	Q235	2
23	YW90001200300	Star ring nut small M10-12EB (Longfeng)	kirsite	2
22	BL01120700220	Upper screen SHD-12E-A-07 drawing ver 0	SUS201	1
21	YL01001200700	Lower screen assembly SHD-12E-A-06 drawing ver 0 Longfeng	SUS201	1
20	YW20001200100	Hopper SHD-12E-A-03 drawing ver 0 Longfeng	AC4B	1
19	BY10001200850	Base assembly SHD-12EB (Longfeng)	Assembly	1
18	YW80010200100	Plug 1/4		1
17	YW69042000200	Cross recessed pan head assembly screw GB/T 9074.4-M6x20-Longzine		2
16	YW67040600600	Cross recessed pan head self-tapping set screw GB6560 M4-6-Longzine		4
15	YW67051000700	Cross recessed pan head self-tapping set screw GB6560 M5-10-Longzine		7
14	BL01005000720	Control box short box SEHD-50-ALL-02 (ver B)	Welding parts	1
13	YW65008000100	S standard spring washer GB/T93 8-Longzine		16
12	YW66081900000	Flat washer 8x19x2.0 Longzine		16
11	YW60082500100	Hex bolt GB/T5783 M8x25-12.9-Longzine		8
10	YM40151204.100	Alu shell blower 15" (12E) 3φ 380-4.15V/50/60HZ/100/125W	Assembly	1
9	SHD-12E-A-01	Storage hopper body	Assembly	1
8	YW64000600200	Hex nut M6 (anti-loose)		2
7	YW61062500000	Inner hex column head screw GB/T30 1 M6x25-A2-70(SUS)		2
6	YW65006000100	Standard spring washer GB/T93 6-Longzine		6
5	YW66061300000	Flat washer A grade GB/T971 6-Longzine		6
4	YW60061200000	Hex bolt GB/T5783 M6x12-12.9-Longzine		6
3	YW90001200100	Hopper cover hinge SHD-12E-A-10 drawing ver 0	Assembly	1
2	YW63061500000	Cross recessed pan head screw GB/T-818 M6x15-Longzine		4
1	YW20001201800	Exhaust air pipe SHD-12E-A-04 drawing ver 0 Longfeng	AC4B	1

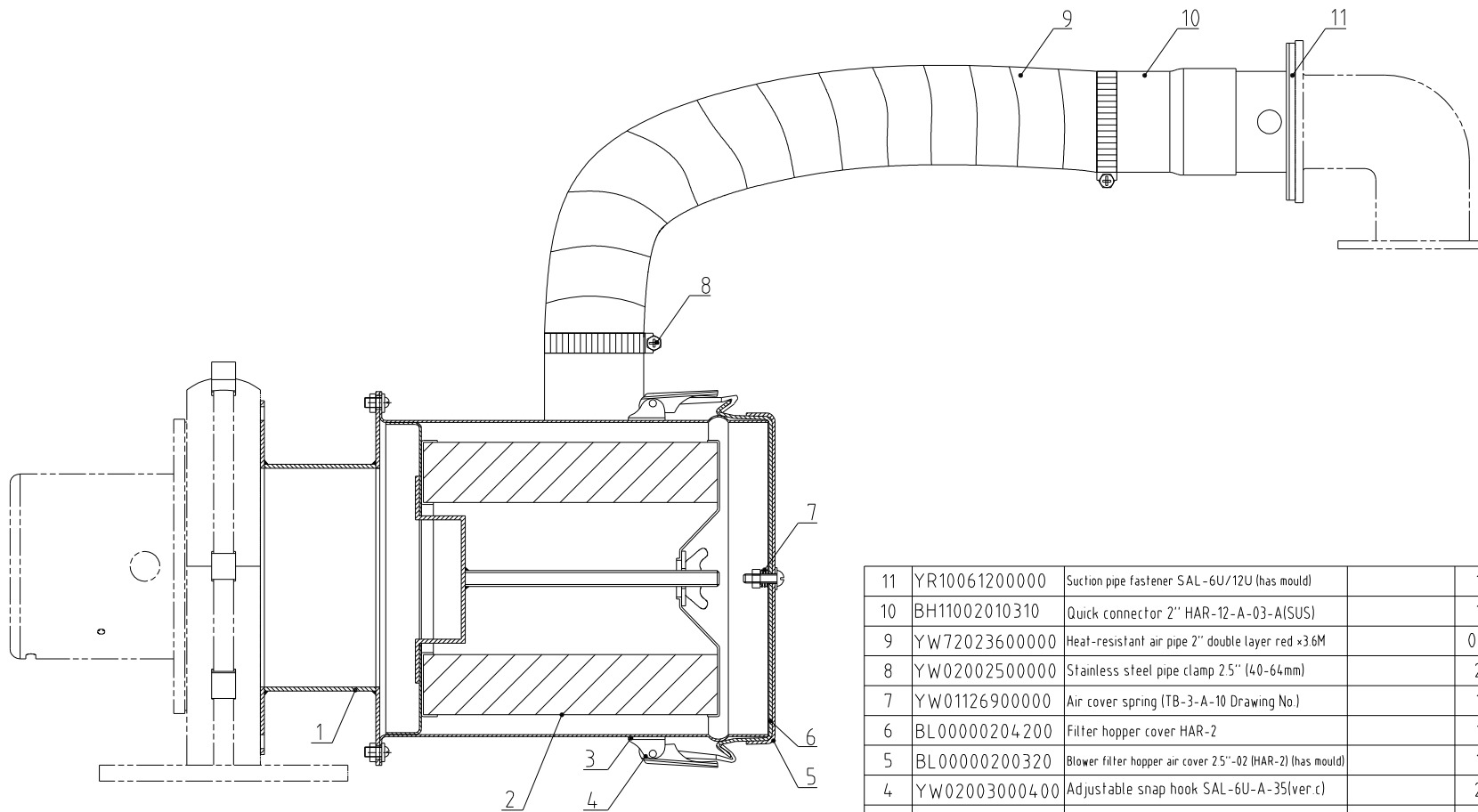
48	YR20060402000	Sealing silicone strip 6x4SHD-12EB (longfeng)	silical gel	1	1.03M
47	YW09001201200	3-way pipe lower cover SHD-12E-A-11 drawing ver 0 has mould	SPCC1.0	1	

标记	更改前	更改后	更改人	日期	制图	版号	标题	图号	比例	17	数量	备注
					设计	核准	SHD-12E		1:1			
					校对		料斗干燥机					
					审核		<b>信易电热机械股份有限公司</b> <b>Shini Plastics Technologies, Inc.</b>					
					日期			表面要求				
							物料号					



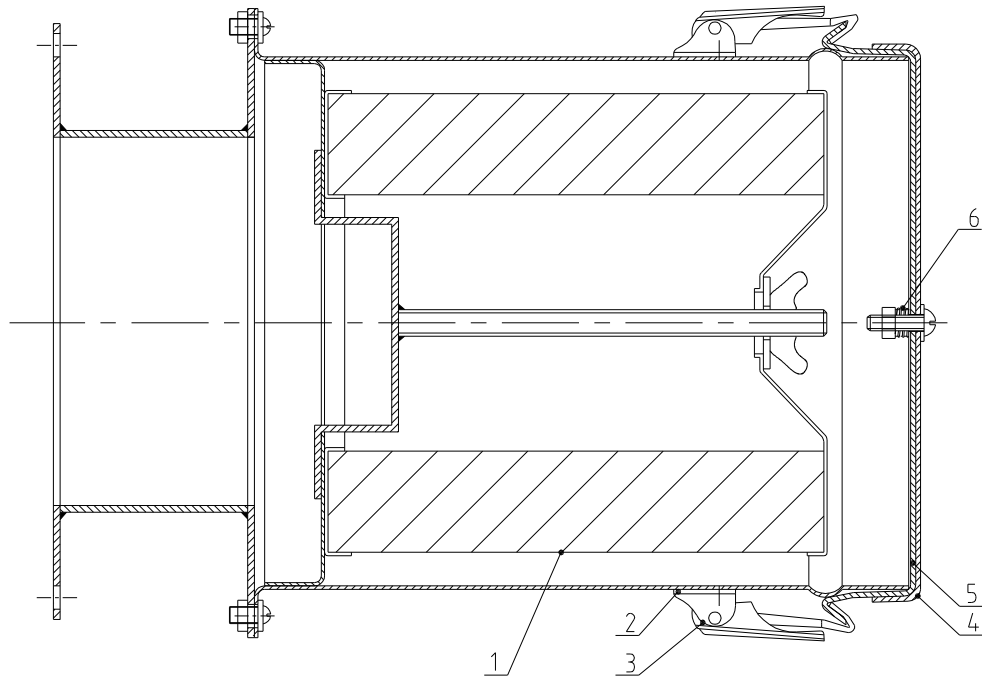
8	YW02003000400	Adjustable snap hook SAL-6U-A-35(ver.c)		3	
7	BA10001200110	Exhaust air pipe SHD-12-A-01(painted)(has mould)		1	
6	YR10001200700	Exhaust air pipe fastener SHD-12-ADC-1-A-04 rubber (has mould)		1	
5	YR50127000000	Filter ADC1 ext.126× inner 70×254mm ADC-1-A-06(ver.0)		1	
4	YE66515800000	PVC hose 2" inner dia. 50mm×0.8mm		1	
3	YW02002500000	Stainless steel pipe clamp 2.5"(4.0-64mm)		2	
2	YR40012500000	Plastic connector 1.25"		1	
1	YR40000000100	Bottom plug ADC-1-A-05 ver.0 (has mould)		1	
序号	代号	名称	材质	数量	备注

					制图		版号		标题	ADC-1	图号	ADC-1-ALL	比例	1:6	数量	1
					设计		核准		排风空气滤清器					材质		
					校对				<b>SHINI</b> 信易电热机械股份有限公司 Shini Plastics Technologies, Inc.				表面要求			
标记	更改前	更改后	更改人	日期	审核		日期			物料号						



11	YR10061200000	Suction pipe fastener SAL-6U/12U (has mould)		1	
10	BH11002010310	Quick connector for 2" HAR-12-A-03-A(SUS)		1	
9	YW72023600000	Heat-resistant air pipe 2" double layer red x3.6M		0.3	
8	YW02002500000	Stainless steel pipe clamp 2.5" (40-64mm)		2	
7	YW01126900000	Air cover spring (TB-3-A-10 Drawing No.)		1	
6	BL00000204200	Filter hopper cover HAR-2		1	
5	BL00000200320	Blower filter hopper air cover 2.5"-02 (HAR-2) (has mould)		1	
4	YW02003000400	Adjustable snap hook SAL-6U-A-35(ver.c)		2	
3	YR40000600800	Adjustable snap hook pad SAL-6U(white)(has mould)		2	
2	YR50138000000	Filter ADC14 foamed rubber (AIF-12-A-ALL-01) ver.0		1	
1	BL90120500120	Hot air recycler adaptor flange HAR-12-A-05 (Drawing No B)		1	
序号	代号	名称	材料	数量	备注

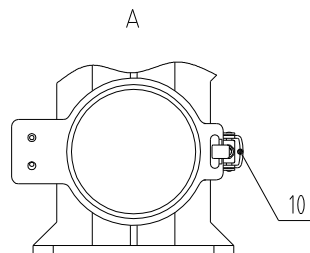
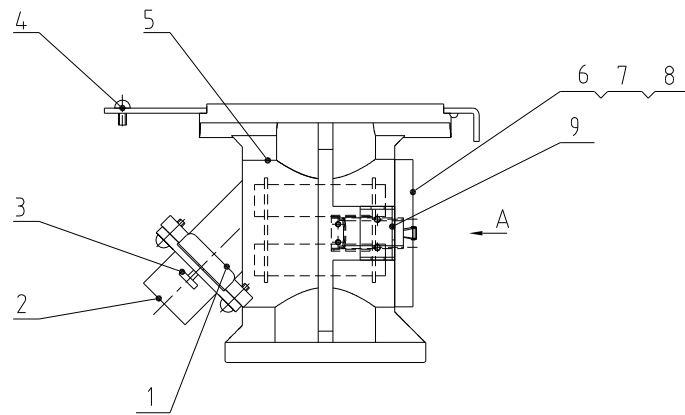
					制图	版号	标题	图号	比例	1:3	数量	1
					设计	核准	HAR-12 风机入口过滤器	HAR-12-ALL		材质		
					校对		<b>信易電熱機械股份有限公司</b> <b>Shini Plastics Technologies, Inc.</b>			表面要求		
标记	更改前	更改后	更改人	日期	审核	日期			2014.02.13		物料号	



6	YW01126900000	Air cover spring (TB-3-A-10 Drawing No.)		1	
5	BL00000204200	Filter hopper cover HAR-2		1	
4	BL00000200320	Blower filter barrel air cover 25"-02(HAR-2)(has mould)		1	
3	YW02003000400	Adjustable snap hook SAL-6U-A-35(ver.c)		2	
2	YR40000600800	Adjustable snap hook pad SAL-6U(white)(has mould)		2	
1	YR50138000000	Filter ADC14 foamed rubber (AIF-12-A-ALL-01) ver.0		1	
序号	代号	名称	材料	数量	备注

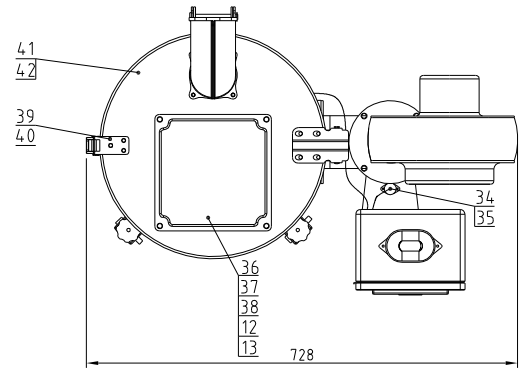
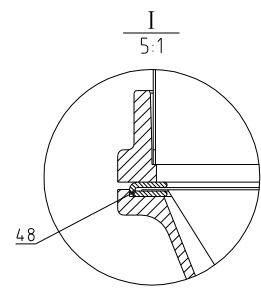
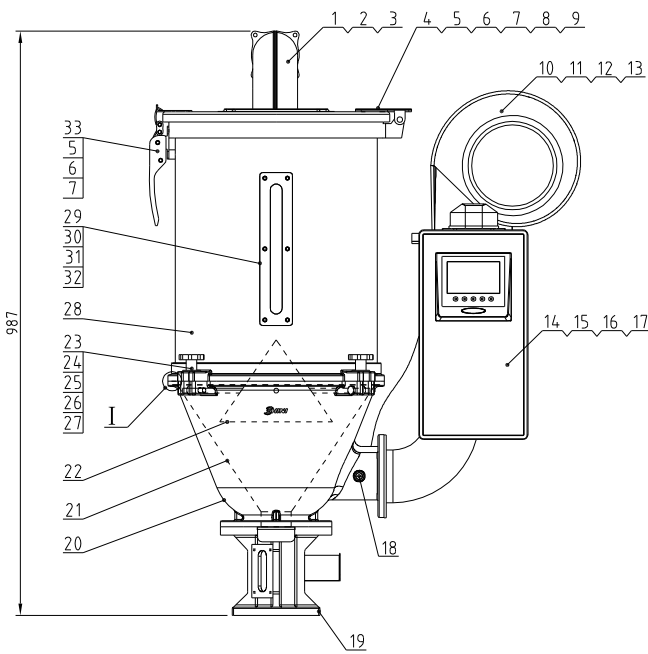
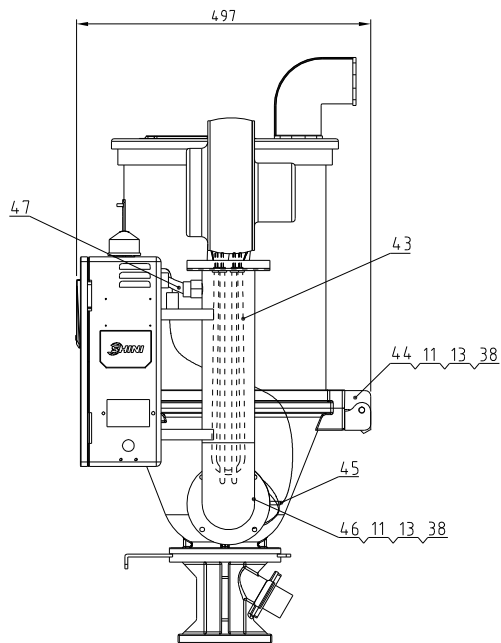
					制图		版号		标题	AIF-12	图号	AIF-12-ALL	比例	1:2	数量	1
					设计		核准		风机入口过滤器					材质		
					校对				<b>信易電熱機械股份有限公司</b> <b>Shini Plastics Technologies, Inc.</b>			表面要求				
标记	更改前	更改后	更改人	日期	审核		日期	2014.0213				物料号				





10	YW02003000400	Adjustable snap hook SAL-6U-A-35		1	
9	YW09050200000	Magnetic base hinge SCM-38-A-21/SGD-A-12 (ver.0)(has mould)		1	
8	YW01005000100	Magnetic base spring SHD-50-A-101		1	
7	YW70097500000	Sight glass 50KG(φ97×5mm)SHD-50-A-106(ver.C)		1	
6	BA10005000210	Magnetic base mirror frame SHD-50-A-96-0(processed)(has mould)		1	
5	BA20001200210	Magnetic base MB-12EB-A-01(processed)(has mould)		1	
4	YW07001200000	Large shut-off plate HB-12-A-02(ver.A)(has mould)		1	
3	YW69616100000	Manual screw M6×16×16		1	
2	YA10005000100	Discharge port (has mould) SEHD-50-ALL-03(ver.0)		1	
1	YW09125000000	Small shut-off plate HB-12/50 T.14mm HB-12-A-03(ver.0)(has mould)		1	
序号	代号	名称	材质	数量	备注

					制图	版号	标题	图号	比例	1:5	数量	1
					设计	核准	MB-12EB 磁力底座	MB-12EB-ALL		表面要求		
					校对		<b>SHINI</b> 信易電熱機械股份有限公司 Shini Plastics Technologies, Inc.		物料号			
标记	更改前	更改后	更改人	日期	审核	日期		20130108				



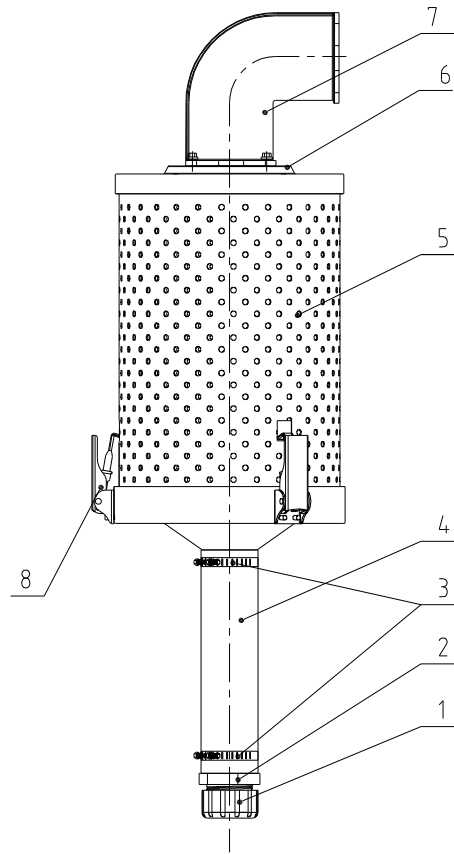
4.8	YR10121300200	Screen protector fastener SHD-25E-A-12(ver.0) version PC silica gel (has mould)	silical gel	1
4.7	YE60122000100	High-grade plastic coated metal hose#1020#132mm) Two ends are connected with PVC alloy outer wire#02x1.5		1

制图	版号	SHINI 信易電熱機械股份有限公司 Shini Plastics Technologies, Inc.	比例 1:8	数量	材質		
设计	核准						
校对	日期						
标记	更改前	更改后	更改人	日期	审核	表面要求	物料号

		Blower Power	Pipe Heater Power	Hopper Capacity	Machine Version	
		50Hz:0.17kW	60Hz:0.205kW	3kW	25kg	Ver.D

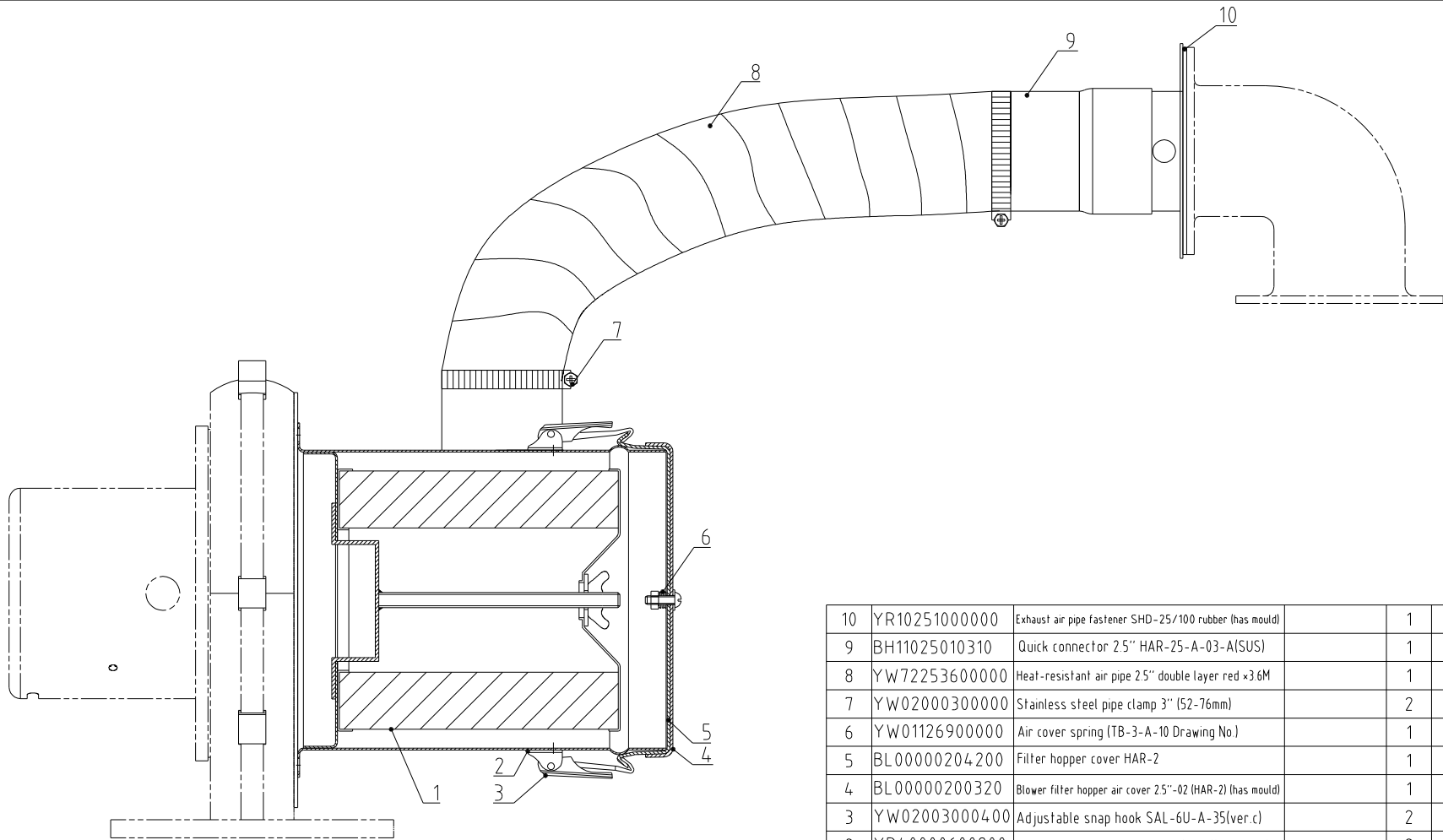
4.6	YL01250800100	Pipe heater SHD-25E-A-08 drawing ver 0 Longfeng	welding parts	1	
4.5	YE9005501300	Thermocouple 5*55L*MB*1MM(SHD-40U-A-2L ver.0)	Assembly	1	
4.4	YW09125000100	Hopper rear buffon SHD-50E-A-07 drawing ver 0	Assembly	1	
4.3	BH70250300150	Pipe heater SHD-25E-B-01 drawing 0-3KW/3*0.400V	Assembly	1	
4.2	YR10002500100	Cover fastener SHD-25 white silical gel (has mould)	White silica gel	1	
4.1	YW90038302000	Hopper cover SHD-25E-A-04 drawing ver 0 Longfeng	SPCC1.2	1	
4.0	YW62061000000	Large cross recessed flat head screw #51111 M6x10-Longzine		3	
39	BL01121400120	Handle hook SHD-12E-A-14(ver.0)(has mould)	SUS201	1	
38	YW66081600000	Large washer A grade GB/T193 118.4*16		12	
37	YW66083000200	Hex bolt GB/T5783 M8x30-8.8-Longzine		4	
36	BW09202000000	Square plate SEHD-100-A-09 (ver.0)(has mould)	SPCC1.0	1	
35	YW67030800000	Cross recessed pan head self-tapping set screw GB6560 M3*8 Longzine		2	
34	BE85013000550	Thermal protector K138 centgrade (wire 0 SM) (Thermal protection normally open)(has rubber sleeve)	Assembly	1	
33	YW00121000000	Handle hook SHD-25-A-08(ver.0)(has mould)	Assembly	1	
32	YW64000500000	Hex nut M5 anti-loose		6	
31	BW09000630040	Sight glass iron sheet six hole (chrome-plated) SEHD-12-A-16 (drawing ver 0)	SPCC2.0	1	
30	YR40001200000	Acrylic six-hole SEHD-12-A-12 (ver.0) Mat PC (has mould)	PC	1	
29	YR40000600000	Sight glass fastener six hole (has mould) SEHD-12-A-11(ver.0)	Rubber	1	
28	SHD-25E-A-01	Storage hopper body	Assembly	1	
27	YW66000600000	Ring opening GB/T896 6		2	
26	YW90481203800	Horizontal pin 48 SHD-12EB (Longfeng)	Q235	2	
25	YW66103200000	Large washer A grade GB/T196 10(10.5*30*2.5) -Longzine		2	
24	YW90001200400	Star ring screw small M10*4.0 SHD-12EB (Longfeng)	Q235	2	
23	YW90001200300	Star ring nut small SHD-12EB (Longfeng)	hsize	2	
22	BL01250600220	Upper screen SHD-25E-A-06 drawing ver 0	SUS201	1	
21	YL01002500200	Lower screen assembly SHD-25E-A-05 drawing ver 0 Longfeng	SUS201	1	
20	YW20002500100	Hopper SHD-25E-A-02 drawing ver 0 Longfeng	AC4B	1	
19	BY10050003150	Base assembly HB-50 (Ver.B)	Assembly	1	
18	YW80010200100	Plug 1/4		1	
17	YW69042000200	Cross recessed pan head assembly screw GB/T 9034.4-M4x20-Longzine		2	
16	YW67040600600	Cross recessed pan head self-tapping set screw GB6560 M4*6-Longzine		4	
15	YW67051000700	Cross recessed pan head self-tapping set screw GB6560 M5*10-Longzine		4	
14	BL01005000720	Control box short box SEHD-50-ALL-02 (ver.B)	SPCC1.0	1	
13	YW65008000100	Standard spring washer GB/T93 8-Longzine		16	
12	YW66081900000	Flat washer 8x19x2.0 Longzine		4	
11	YW60082500100	Hex bolt GB/T5783 M8x25-12.9-Longzine		12	
10	YM40503400200	Alu shell blower 2.5'(50E) 3~380V~4.15V/50/60HZ/170W/205W	Assembly	1	
9	YW64000600200	Hex nut M6 (anti-loose)		2	
8	YW61062500000	Inner hex column head screw GB/T70 1 M6x25-A2-70SUS		2	
7	YW65006000100	Standard spring washer GB/T93 6-Longzine		6	
6	YW66061300000	Flat washer A grade GB/T971 6-Longzine		6	
5	YW60061200000	Hex bolt GB/T5783 M6x12-12.9-Longzine		6	
4	YW90001200100	Hopper cover hinge SHD-12E-A-10 drawing ver 0	Assembly	1	
3	YW63061500000	Cross recessed pan head screw GB/T-818 M6x15-Longzine		4	
2	YR10500900300	Exhaust air pipe fastener SHD-50-A-10 (ver.0) (has mould)	Rubber	1	
1	BA10500707010	Exhaust air pipe SEHD-50-A-09 (ver.0)(has painted)(has mould)	AC4B	1	

序号	代号	名称	材料	数量	备注
		标题 SHD-25E 料斗干燥机	图号		
		SHINI 信易電熱機械股份有限公司	表面要求		
		Shini Plastics Technologies, Inc.	物料号		



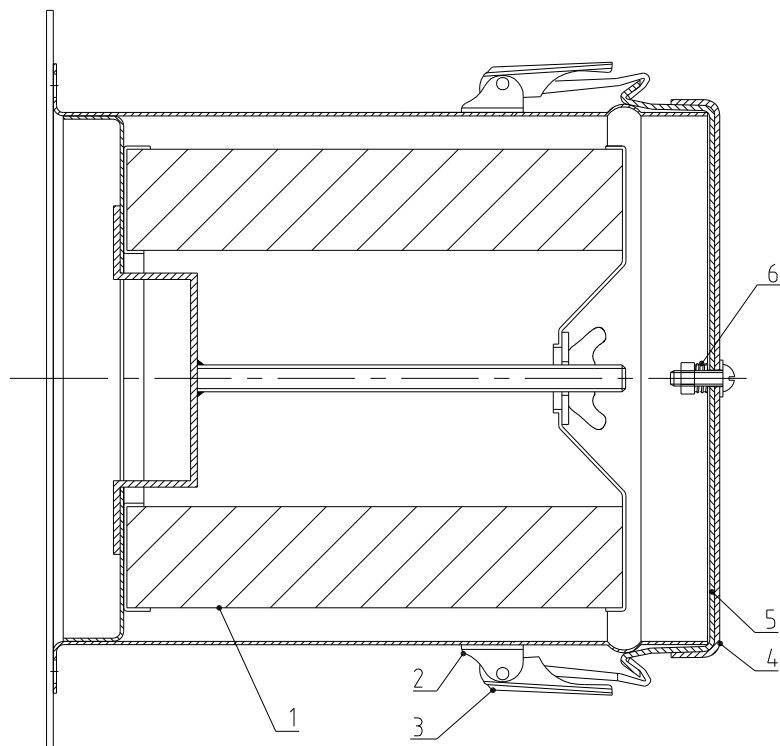
8	YW02003000400	Adjustable snap hook SAL-6U-A-35(ver.c)		3	
7	YW20002507000	Exhaust air pipe SHD-25EB-A-03(ver.0)(Longfeng)		1	
6	YR10251000000	Exhaust air pipe fastener SHD-25EB-A-03 rubber (has mould)		2	
5	YR50181100000	Filter ADC2 fastener rubber (SMD-1000H-A-ALL-09) ver.0		1	
4	YE66515800000	PVC hose 2" inner dia. 50mm×0.8mm		1	
3	YW02002500000	Stainless steel pipe clamp 2.5"(4.0-64mm)		2	
2	YR40012500000	Plastic connector 1.25"		1	
1	YR40000000100	Bottom plug ADC-1-A-05 ver.0 (has mould)		1	
序号	代号	名称	材质	数量	备注

					制图	版号	标题	图号	比例	1:6	数量	1
					设计	核准	ADC-2	ADC-2-ALL				
				校对		排风空气滤清器		表面要求				
标记	更改前	更改后	更改人	日期	审核	日期	信易电热机械股份有限公司 Shini Plastics Technologies, Inc.		物料号			



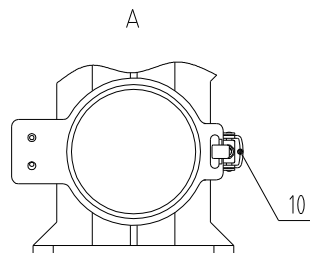
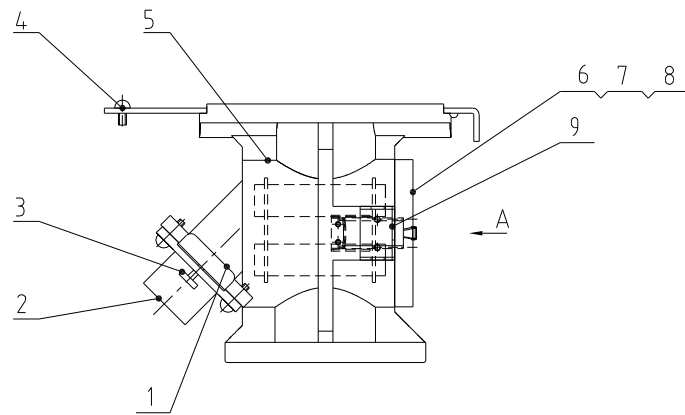
10	YR10251000000	Exhaust air pipe fastener SHD-25/100 rubber (has mould)		1	
9	BH11025010310	Quick connector 2.5" HAR-25-A-03-A(SUS)		1	
8	YW72253600000	Heat-resistant air pipe 2.5" double layer red x3.6M		1	
7	YW02000300000	Stainless steel pipe clamp 3" (52-76mm)		2	
6	YW01126900000	Air cover spring (TB-3-A-10 Drawing No.)		1	
5	BL00000204200	Filter hopper cover HAR-2		1	
4	BL00000200320	Blower filter hopper air cover 2.5"-02 (HAR-2) (has mould)		1	
3	YW02003000400	Adjustable snap hook SAL-6U-A-35(ver.c)		2	
2	YR40000600800	Adjustable snap hook pad SAL-6U(white)(has mould)		2	
1	YR50138000000	Filter ADC14 foamed rubber (AIF-12-A-ALL-01) ver.0		1	
序号	代号	名称	材料	数量	备注

					制图	版号	标题	图号	比例	1:3	数量	1
					设计	核准	HAR-25EB	HAR-25EB-ALL		材质		
				校对			热风回收器					
标记	更改前	更改后	更改人	日期	审核	日期	<b>信易电热机械股份有限公司</b> <b>Shini Plastics Technologies, Inc.</b>		表面要求			
						20200917			物料号			



6	YW01126900000	Air cover spring (TB-3-A-10 Drawing No.)		1	
5	BL00000204200	Filter hopper cover HAR-2		1	
4	BL00000200320	Blower filter barrel air cover 2.5"-02(HAR-2)(has mould)		1	
3	YW02003000400	Adjustable snap hook SAL-6U-A-35(ver.c)		2	
2	YR40000600800	Adjustable snap hook pad SAL-6U(white)(has mould)		2	
1	YR50138000000	Filter ADC14 foamed rubber (AIF-12-A-ALL-01) ver.0		1	
序号	代号	名称	材料	数量	备注

					制图	版号	标题	图号	比例	1:2	数量	1
					设计	核准	AIF-25EB 风机入口过滤器	AIF-25EB-ALL		材质		
					校对		<b>SHINI</b> 信易電熱機械股份有限公司 Shini Plastics Technologies, Inc.		表面要求			
标记	更改前	更改后	更改人	日期	审核	日期		20200917		物料号		

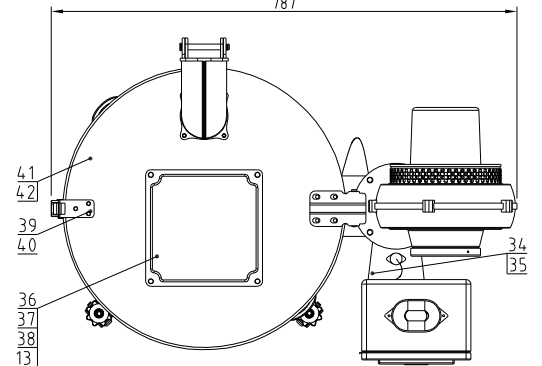
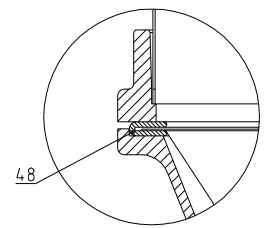
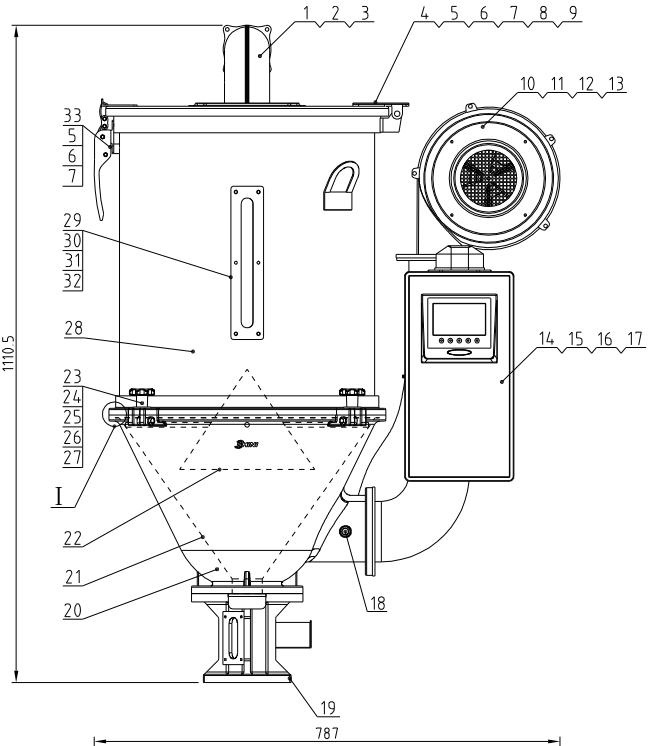
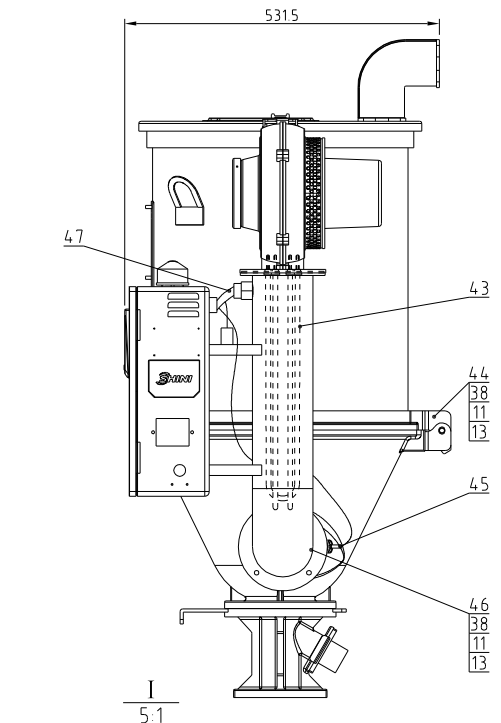


10	YW02003000400	Adjustable snap hook SAL-6U-A-35		1	
9	YW09050200000	Magnetic base hinge SCM-38-A-21/SGD-A-12 (ver.0)(has mould)		1	
8	YW01005000100	Magnetic base spring SHD-50-A-101		1	
7	YW70097500000	Sight glass 50KG(φ97×5mm)SHD-50-A-106(ver.C)		1	
6	BA10005000210	Magnetic base mirror frame SHD-50-A-96-01(processed)(has mould)		1	
5	BA20005000310	Magnetic base SHD-50-A-51(processed)(has mould)		1	
4	YW07001200000	Large shut-off plate HB-12-A-02(ver.A)(has mould)		1	
3	YW69616100000	Manual screw M6×16×16		1	
2	YA10005000100	Discharge port (has mould) SEHD-50-ALL-03(ver.0)		1	
1	YW09125000000	Small shut-off plate HB-12/50 T:1.4mm HB-12-A-03(ver.0)(has mould)		1	

序号	代号	名称	材质	数量	备注
----	----	----	----	----	----

					制图	版号	标题	图号	比例	1:5	数量	1	
					设计	核准	MB-50 磁力底座	MB-50-ALL		材质			
					校对		信易電熱機械股份有限公司 Shini Plastics Technologies, Inc.				表面要求		
标记	更改前	更改后	更改人	日期	审核	日期					20130108		

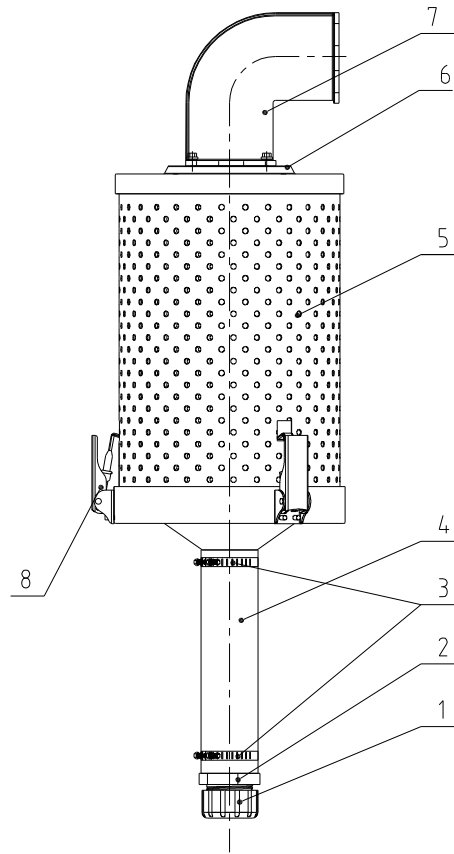
Blower Power	Pipe Heater Power	Hopper Capacity	Machine Version	
50Hz: 0.17kW	60Hz: 0.205kW	3.9kW	50kg	Ver.C



4.8	YR10501200100	Inner hopper fastener SHD-50-A-12(Ver.B) PC silica gel (has mould)	silical gel	1
4.7	YE60122000100	High-grade plastic coated metal hopper (1200*1320) Two ends are connected with zinc alloy outer wire M6x1.5		1

4.6	YL01500800100	Pipe heater SHD-50E-A-08 drawing ver 0 Longfeng	welding parts	1
4.5	YE9005501300	Thermocouple 5*55L*M8*11MSHD-40U-A-24 ver.0	Assembly	1
4.4	YW09125000100	Hopper rear bulflon SHD-50E-A-07 drawing ver 0	Assembly	1
4.3	BH70500300150	Pipe heater SHD-50E-B-01 drawing 0-3 9KW3*1-400V	Assembly	1
4.2	YR10005000100	Cover fastener SHD-50 white silical gel (has mould)	White silica gel	1
4.1	YW90047802000	Hopper cover SHD-50E-A-04 drawing ver 0 Longfeng	SPCC1.2	1
4.0	YW62061000000	Large cross recessed flat head screw #S1111 M6x10-Longzine		3
3.9	BL01121400120	Handle hook SHD-12E-A-14(Ver.0)(has mould)	SUS201	1
3.8	YW66081600000	Large washer A grade GB/T193 18.4*16*1.6		12
3.7	YW60083000200	Hex bolt GB/T5783 M8x30-8-8-Longzine		4
3.6	BW09202000000	Square plate SEHD-100-A-09 (Ver.0)(has mould)	SPCC1.0	1
3.5	YW67030800000	Cross recessed pan head self-tapping set screw GB6560 M3*8-Longzine		2
3.4	BE85013000550	Thermal protector K130 centigrade (wire 0.5M) (Thermal protection normally open)(has rubber sleeve)	Assembly	1
3.3	YW00121000000	Handle hook SEHD-25-A-08(Ver.0)(has mould)	Assembly	1
3.2	YW64000500000	Hex nut M5 anti-loose		6
3.1	BW09000630040	Sight glass iron sheet six hole (chrome-plated) SEHD-12-A-16 (drawing ver 0)	SPCC2.0	1
3.0	YR40001200000	Acrylic six-hole SEHD-12-A-12 (Ver.0) Mat. PC (has mould)	PC	1
2.9	YR40000600000	Sight glass fastener six hole(has mould) SEHD-12-A-11(Ver.0)	Rubber	1
2.8	SHD-50E-A-01	Storage hopper body	Assembly	1
2.7	YW66000600000	Ring opening GB/T896 6		2
2.6	YW90481203800	Horizontal pin 4.8 SHD-12EB (Longfeng)	Q235	2
2.5	YW66103200000	Large washer A grade GB/T196 10*10 5*30*2.5 -Longzine		2
2.4	YW90001200400	Star ring screw small M10*40 SHD-12EB (Longfeng)	Q235	2
2.3	YW90001200300	Star ring nut small SHD-12EB (Longfeng)	kirsite	2
2.2	BL01500600220	Upper screen SHD-50E-A-06 drawing ver 0	SUS201	1
2.1	YL01005000200	Lower screen assembly SHD-50E-A-05 drawing ver 0 Longfeng	SUS201	1
2.0	YW20005000300	Hopper SHD-50E-A-03 drawing ver 0 Longfeng	AC4B	1
1.9	BY10050003150	Base assembly HB-50 (Ver.B)	Assembly	1
1.8	YW80010200100	Plug 1/4		1
1.7	YW69042000200	Cross recessed pan head assembly screw GB/T 907L 4- M6*20-Longzine		2
1.6	YW67040600600	Cross recessed pan head self-tapping set screw GB6560 M4*6-Longzine		4
1.5	YW67051000700	Cross recessed pan head self-tapping set screw GB6560 M5*10-Longzine		4
1.4	BL01005000720	Control box short box SEHD-50-ALL-02 (Ver.B)	SPCC1.0	1
1.3	YW65008000100	Standard spring washer GB/T193 8-Longzine		16
1.2	YW66081900000	Flat washer 8x19x2.0 Longzine		4
1.1	YW60082500100	Hex bolt GB/T5783 M8x25-12.9-Longzine		12
1.0	YM40503400200	Blower 2.5'150E13080V-4.15V/50/60HZ/170W/220V	Assembly	1
9	YW64000600200	Hex nut M6 (anti-loose)		2
8	YW61062500000	Inner hex column head screw GB/T101 M6x25-A2-70SUS		2
7	YW65006000100	Standard spring washer GB/T193 6-Longzine		8
6	YW66061300000	Flat washer A grade GB/T191.6-Longzine		8
5	YW60061200000	Hex bolt GB/T5783 M6x12-12.9-Longzine		8
4	YW90001200100	Hopper cover hinge SHD-12E-A-10 drawing ver 0	Assembly	1
3	YW63061500000	Cross recessed pan head screw GB/T-818 M6x15-Longzine		4
2	YR10500900300	Exhaust air pipe fastener SHD-50-A-10 (Ver.B) rubber (has mould)	Rubber	1
1	BA10500707010	Exhaust air pipe SEHD-50-A-07 liver 0 (has painted)(has mould)	AC4B	1

标记	更改前	更改后	更改人	日期	制图	版号	标题	图号	比例	18	数量	备注
					设计	核准	SHD-50E		1:1			
					校对	核准	料斗干燥机					
					审核	日期	SHINI 信易电热机械股份有限公司 Shini Plastics Technologies, Inc.		表面要求			
									物料号			

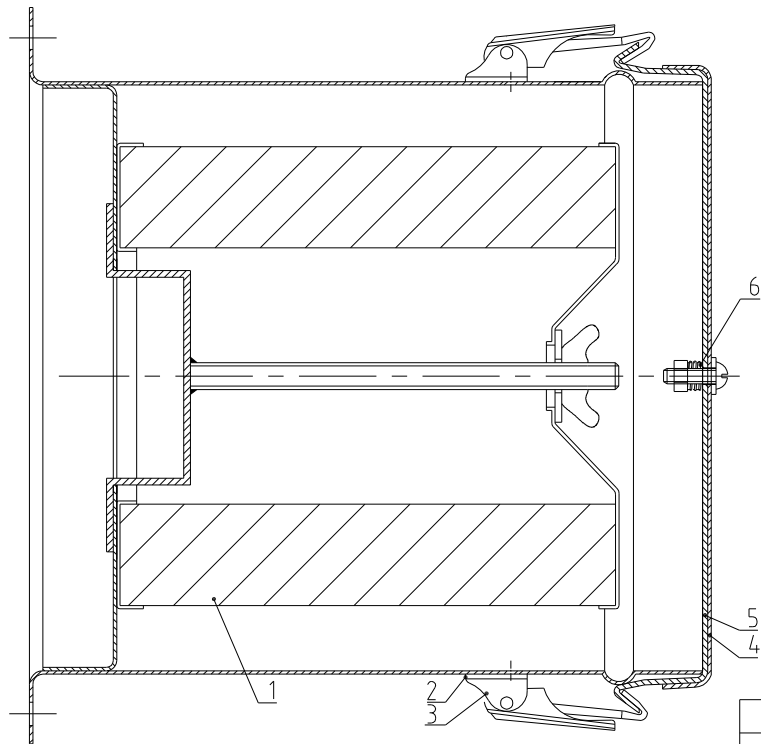


8	YW02003000400	Adjustable snap hook SAL-6U-A-35(ver.c)		3	
7	YW20002507000	Exhaust air pipe SHD-25EB-A-03(ver.0)(Longfeng)		1	
6	YR10251000000	Exhaust air pipe fastener SHD-25EB-A-03 rubber (has mould)		2	
5	YR50181100000	Filter ADC2 fastener rubber (SMD-1000H-A-ALL-09) ver.0		1	
4	YE66515800000	PVC hose 2" inner dia. 50mm×0.8mm		1	
3	YW02002500000	Stainless steel pipe clamp 2.5"(40-64mm)		2	
2	YR40012500000	Plastic connector 1.25"		1	
1	YR40000000100	Bottom plug ADC-1-A-05 ver.0 (has mould)		1	
序号	代号	名称	材质	数量	备注

					制图		版号		标题	ADC-2	图号	ADC-2-ALL	比例	1:6	数量	1
					设计		核准		排风空气滤清器					材质		
					校对				信易电热机械股份有限公司 Shini Plastics Technologies, Inc.			表面要求				
标记	更改前	更改后	更改人	日期	审核		日期						物料号			

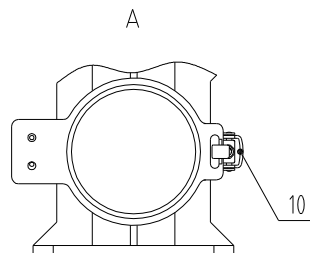
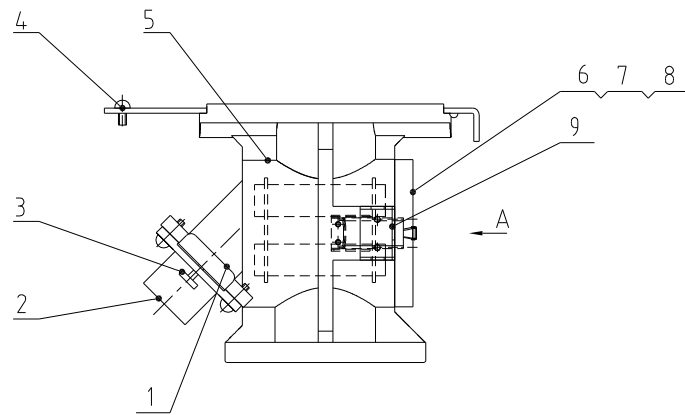






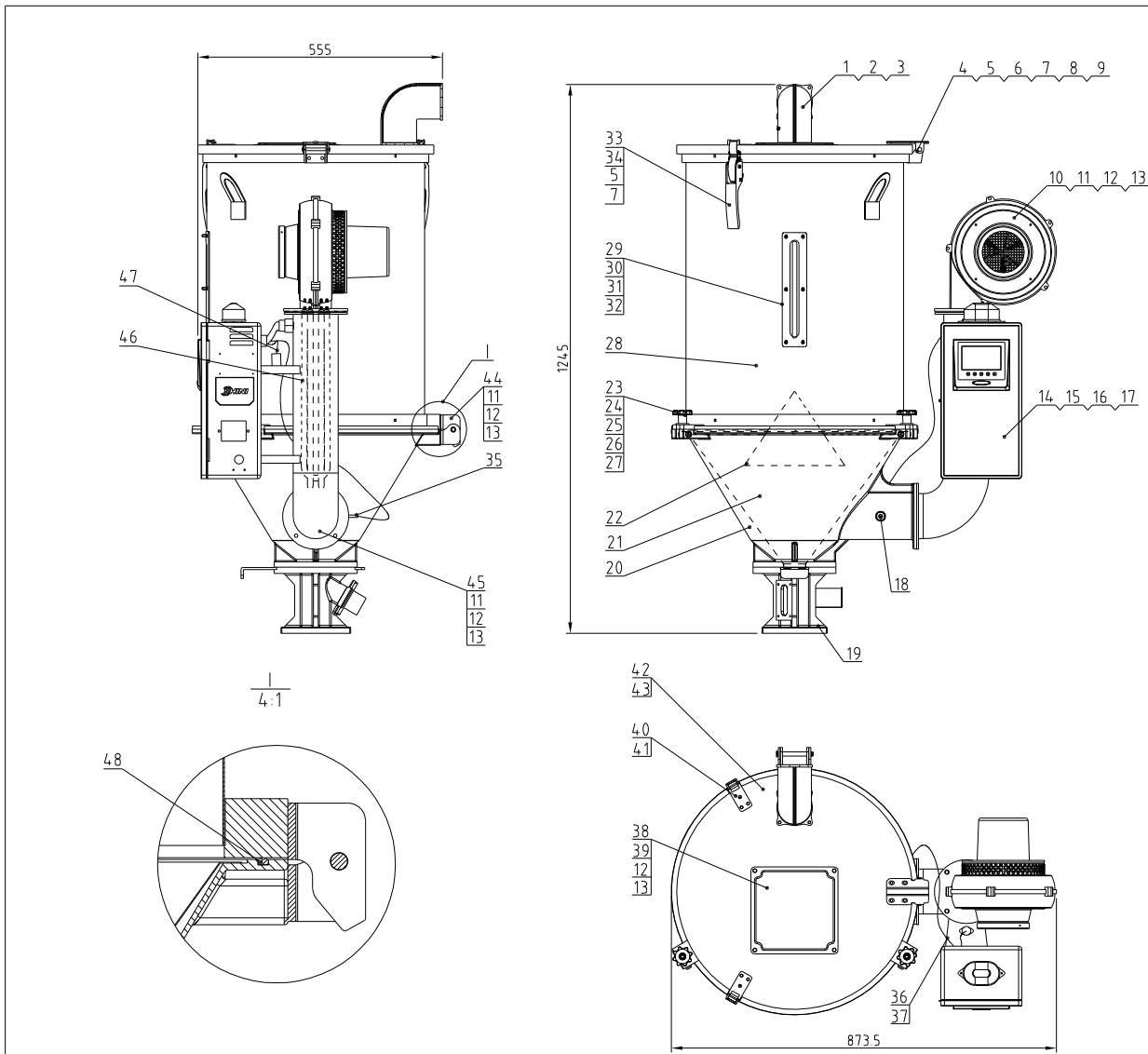
6	YW01126900000	Air cover spring (TB-3-A-10 Drawing No.)		1	
5	BL00000300420	Blower filter barrel cover 3"-01(HAR-3)(has mould)		1	
4	BL00000300320	Blower filter barrel air cover 3"-02(HAR-3)(has mould)		1	
3	YW02003000400	Adjustable snap hook SAL-6U-A-35(ver.c)		2	
2	YR40000600800	Adjustable snap hook pad SAL-6U(white)(has mould)		2	
1	YR50138000000	Filter ADC14 foamed rubber (AIF-12-A-ALL-01) ver.0		1	
序号	代号	名称	材料	数量	备注

					制图	版号	标题	图号	比例	1:2	数量	1
					设计	核准	AIF-50EB 风机入口过滤器	AIF-50EB-ALL		材质		
					校对		<b>信易電熱機械股份有限公司</b> <b>Shini Plastics Technologies, Inc.</b>		表面要求			
标记	更改前	更改后	更改人	日期	审核	日期			20200522	物料号		



10	YW02003000400	Adjustable snap hook SAL-6U-A-35		1	
9	YW09050200000	Magnetic base hinge SCM-38-A-21/SGD-A-12 (ver.0)(has mould)		1	
8	YW01005000100	Magnetic base spring SHD-50-A-101		1	
7	YW70097500000	Sight glass 50KG( $\phi 97 \times 5$ mm)SHD-50-A-106(ver.C)		1	
6	BA10005000210	Magnetic base mirror frame SHD-50-A-96-0(processed)(has mould)		1	
5	BA20005000310	Magnetic base SHD-50-A-51(processed)(has mould)		1	
4	YW07001200000	Large shut-off plate HB-12-A-02(ver.All)has mould		1	
3	YW69616100000	Manual screw M6 $\times$ 16		1	
2	YA10005000100	Discharge port (has mould) SEHD-50-ALL-03(ver.0)		1	
1	YW09125000000	Small shut-off plate HB-12/50 1.14mm HB-12-A-03(ver.0)(has mould)		1	
序号	代号	名称	材质	数量	备注

					制图	版号	标题	图号	比例	1:5	数量	1
					设计	核准	MB-50 磁力底座	MB-50-ALL		材质		
					校对		信易電熱機械股份有限公司 Shini Plastics Technologies, Inc.			表面要求		
标记	更改前	更改后	更改人	日期	审核	日期			20130108		物料号	



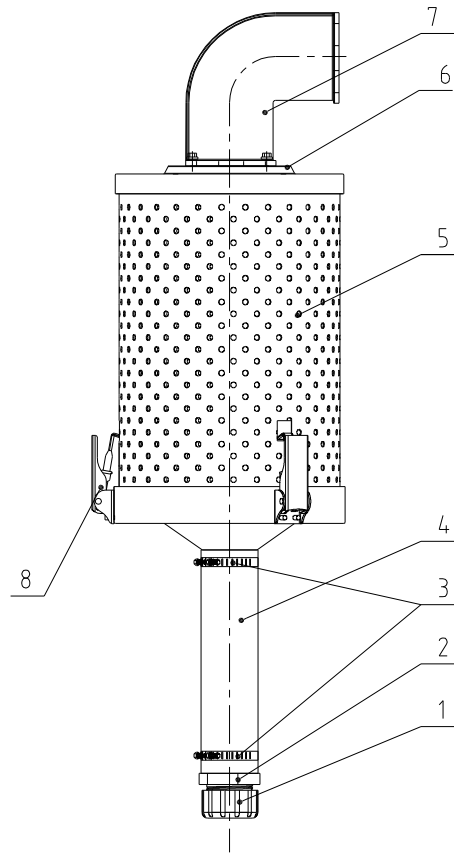
Blower Power	Pipe Heater Power	Hopper Capacity	Machine Version
50Hz:0.17kW	60Hz:0.205kW	4.2kW	75kg
			Ver D

46	BH7050300050	Pipe heater SHD-75E-B-01 drawing ver 0 -L 2KW3φ400V	Assembly	1
45	YL01500800100	Pipe heater SHD-50E-A-08 drawing ver 0 Longfeng	welding parts	1
44	YW09125000100	Hopper rear button SHD-50E-A-07 drawing ver 0	Assembly	1
43	YR10010040000	Cover fastener SHD-100 white silical gel (has mould)	White silica gel	1
42	YW90007500100	Hopper cover SHD-75E-A-01 (ver 0) Longfeng	SPCC15	1
41	YW62061000000	Large cross recessed flat head screw JIS1111 M6x10-Longzine		6
40	BL01121400120	Handle hook SHD-12E-A-1L(ver 0)(has mould)	SUS201	2
39	YW60083000200	Hex bolt GB/T5783 M8x30-8-8-Longzine		4
38	BW09202000000	Square plate SEHD-100-A-09 (ver 0)(has mould)	SPCC10	1
37	YW67030800000	Cross recessed pan head self-tapping set screw GB6560 M5x8-Longzine		2
36	BE85013000550	Thermal protector K130 centigrade (wire 0.5M) (Thermal protection normally open)(has rubber sleeve)	Assembly	1
35	YE90056500700	Thermocouple 5x55-MS-TM pipe (SEHD-50-ALL-07 ver 0)	Assembly	1
34	YW66061300000	Flat washer A grade GB/T971.6-Longzine		2
33	YW00121000000	Handle SEHD-25-A-08 (ver 0)(has mould)	Assembly	2
32	YW64000500000	Hex nut M5 anti-loose		6
31	BW09000630040	Sight glass iron sheet six hole (chrome-plated)	SPCC	1
30	YR40001200000	Acrylic six-hole SEHD-12-A-12 (ver 0) Mat: PC (has mould)	PC	1
29	YR40000600000	Sight glass iron sheet six hole (chrome-plated) SEHD-12-A-11 (drawing ver 0)	Rubber	1
28	SHD-75E-A-05	Storage hopper body	Assembly	1
27	YW66000600000	Ring opening GB/T896.6		2
26	YW90661003800	Horizontal pin 66100/200/400 (Longfeng) 100 pcs/bag		2
25	YW66103200000	Large washer A grade GB796.100(5x30x2.5) -Longzine		2
24	YW90001200400	Star ring screw small M10x4.0 SHD-12EB (Longfeng)		2
23	YW90001200300	Star ring nut small SHD-12EB (Longfeng)		2
22	BL01750600121	Upper screen assembly SHD-75E-A-06 drawing ver 0 Longfeng	SUS201	1
21	YL01007500100	Lower screen assembly SHD-75E-A-03 drawing ver 0 Longfeng	SUS201	1
20	YW20007500200	Hopper SHD-75E-A-04 drawing ver 0 Longfeng	AC4B	1
19	BY10050003150	Base assembly HB-50 (Ver B)	Assembly	1
18	YW80010200100	Plug 1/4		1
17	YW69042000200	Cross recessed pan head assembly screw GB/T 9074.4- M6x20-Longzine		2
16	YW67040600600	Cross recessed pan head self-tapping set screw GB6560 M4x6-Longzine		4
15	YW67051000700	Cross recessed pan head self-tapping set screw GB6560 M5x10-Longzine		4
14	BL01005000720	Control box short box SEHD-50-ALL-02 (ver B)	SPCC1.0	1
13	YW65008000100	Standard spring washer GB/T93.8-Longzine		16
12	YW66081600000	Flat A washer GB/T97.1(8.4x16x1.6) Longzine		16
11	YW60082500100	Hex bolt GB/T5783 M8x25-12.9-Longzine		12
10	YM40503400200	Blower 2.5T50E13080V-4T5V/50/60HZ/170W/220V	Assembly	1
9	YW64000600200	Hex nut M6 (anti-loose)		2
8	YW61062500000	Inner hex column head screw GB/T170 M6x25-A2-70(SUS)		2
7	YW65006000100	Standard spring washer GB/T93.6-Longzine		8
6	YW66061800000	Flat washer A grade GB/T97.1.6-Longzine		4
5	YW60061200000	Hex bolt GB/T5783 M6x12-12.9-Longzine		8
4	YW90001200100	Hopper cover hinge SHD-12EB-A-10 drawing ver 0	Assembly	1
3	YW63061500000	Cross recessed pan head screw GB/T-818 M6x15-Longzine		4
2	YR10500900300	Exhaust air pipe fastener SEHD-50-A-10 (ver 0) rubber flange mould	Rubber	1
1	BA10500707010	Exhaust air pipe SEHD-50-A-07 (ver 0)(has painted)(has mould)	AC4B	1

48	YR20060402000	Sealing silicone strip 6x4SHD-12EB (Longfeng)	silical gel	1
47	YE60122000100	High-grade plastic coated metal hose(12700-132mm) Two ends are connected with zinc alloy nut, size M20x1.5	Assembly	1

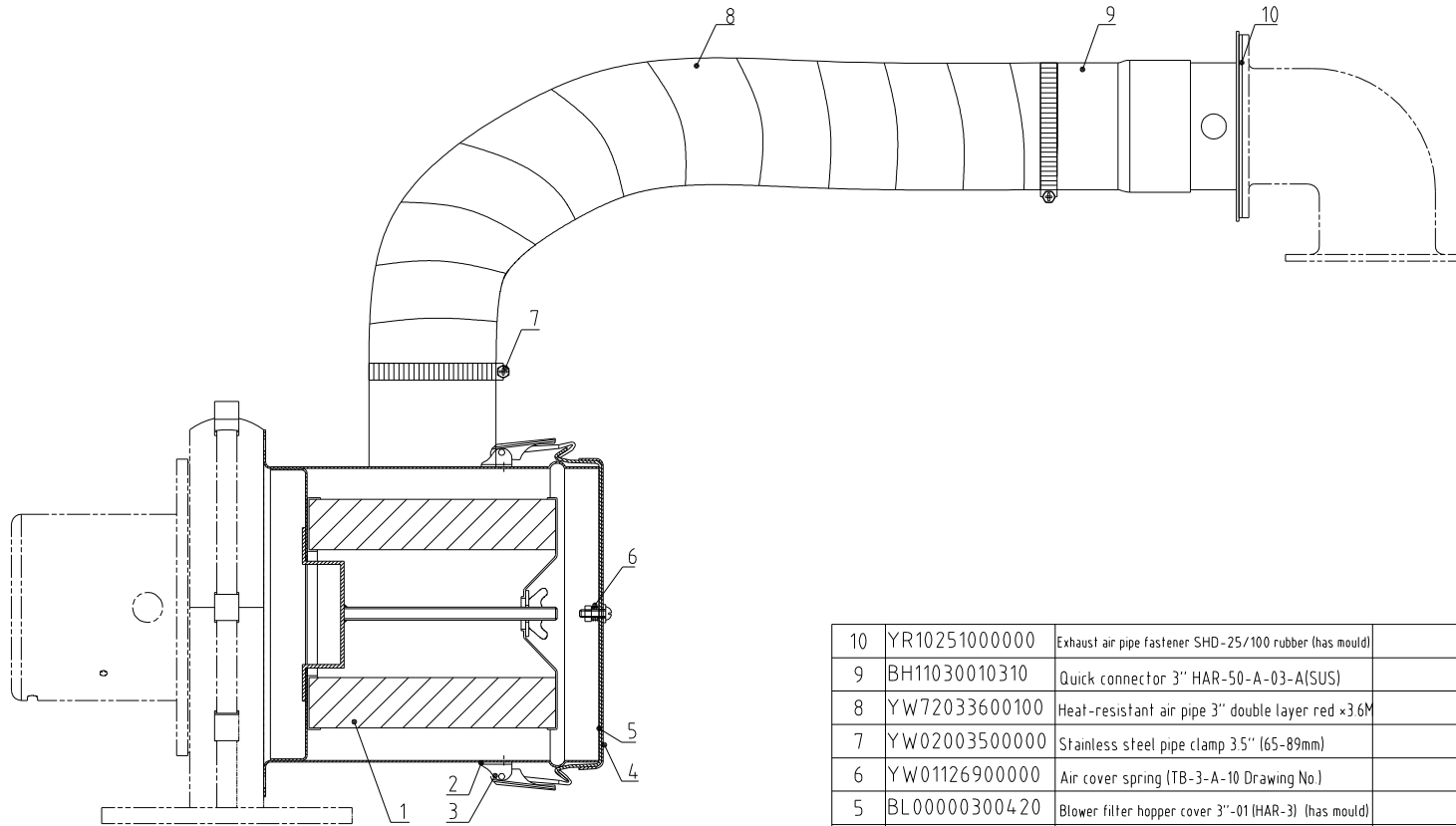
制图	版号	标题	SHD-75E	图号	比例	1:10	数量	
设计	核准	料斗干燥机			材质			
校对	审核				表面要求			
标记	更改前	更改后	更改人	日期	审核	日期	物料号	





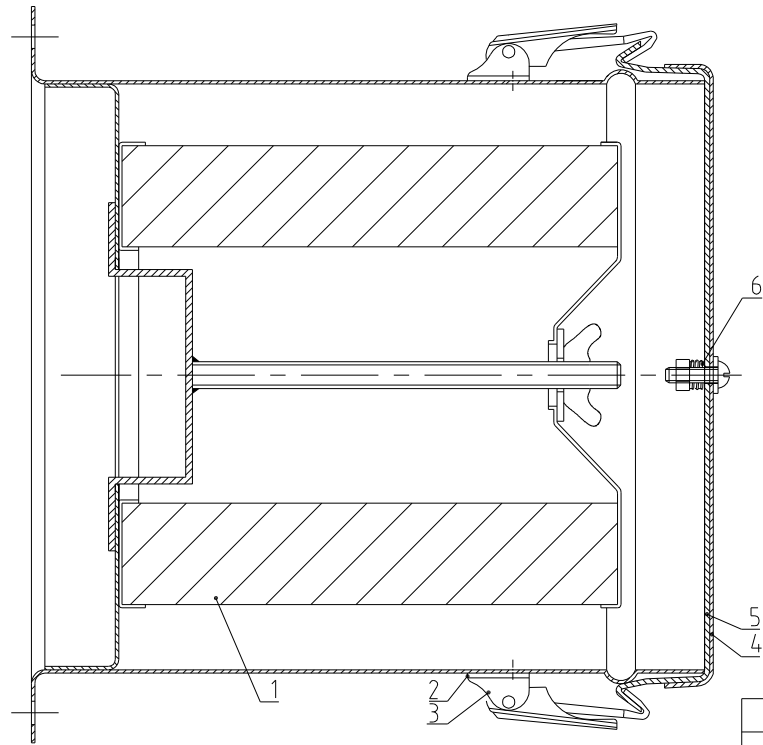
8	YW02003000400	Adjustable snap hook SAL-6U-A-35(ver.c)		3	
7	YW20002507000	Exhaust air pipe SHD-25EB-A-03(ver.0)(Longfeng)		1	
6	YR10251000000	Exhaust air pipe fastener SHD-25EB-A-03 rubber (has mould)		2	
5	YR50181100000	Filter ADC2 fastener rubber (SMD-1000H-A-ALL-09) ver.0		1	
4	YE66515800000	PVC hose 2" inner dia. 50mm×0.8mm		1	
3	YW02002500000	Stainless steel pipe clamp 2.5"(40-64mm)		2	
2	YR40012500000	Plastic connector 1.25"		1	
1	YR40000000100	Bottom plug ADC-1-A-05 ver.0 (has mould)		1	
序号	代号	名称	材质	数量	备注

					制图		版号		标题	ADC-2	图号	ADC-2-ALL	比例	1:6	数量	1
					设计		核准		排风空气滤清器					材质		
					校对				信易电热机械股份有限公司 Shini Plastics Technologies, Inc.			表面要求				
标记	更改前	更改后	更改人	日期	审核		日期						物料号			



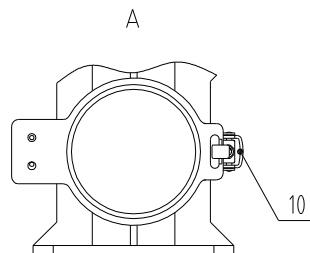
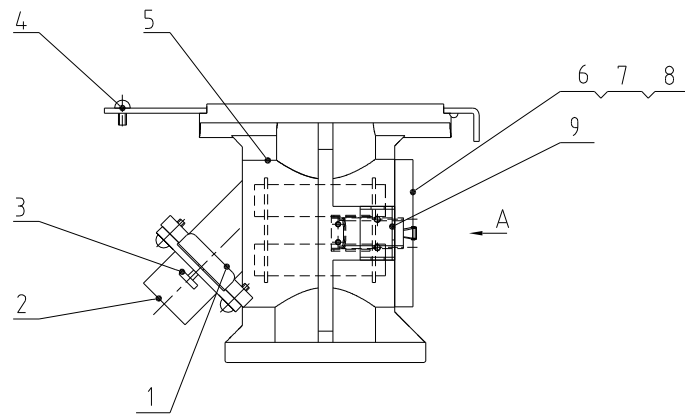
10	YR10251000000	Exhaust air pipe fastener SHD-25/100 rubber (has mould)		1	
9	BH11030010310	Quick connector 3" HAR-50-A-03-A(SUS)		1	
8	YW72033600100	Heat-resistant air pipe 3" double layer red x3.6M		0.35	
7	YW02003500000	Stainless steel pipe clamp 3.5" (65-89mm)		2	
6	YW01126900000	Air cover spring (TB-3-A-10 Drawing No.)		1	
5	BL00000300420	Blower filter hopper cover 3"-01 (HAR-3) (has mould)		1	
4	BL00000300320	Blower filter hopper air cover 3"-02 (HAR-3) (has mould)		1	
3	YW02003000400	Adjustable snap hook SAL-6U-A-35(ver.c)		2	
2	YR40000600800	Adjustable snap hook pad SAL-6U(white)(has mould)		2	
1	YR50138000000	Filter ADC14 foamed rubber (AIF-12-A-ALL-01) ver.0		1	
序号	代号	名称	材料	数量	备注

					制图	版号	标题	图号	比例	1:4	数量	1
					设计	核准	HAR-50	HAR-50-ALL		材质		
				校对			热风回收器					
标记	更改前	更改后	更改人	日期	审核	日期	<b>信易電熱機械股份有限公司</b> <b>Shini Plastics Technologies, Inc.</b>				表面要求	
						20200522					物料号	



6	YW01126900000	Air cover spring (TB-3-A-10 Drawing No.)		1	
5	BL00000300420	Blower filter barrel cover 3"-01(HAR-3)(has mould)		1	
4	BL00000300320	Blower filter barrel air cover 3"-02(HAR-3)(has mould)		1	
3	YW02003000400	Adjustable snap hook SAL-6U-A-35(ver.c)		2	
2	YR40000600800	Adjustable snap hook pad SAL-6U(white)(has mould)		2	
1	YR50138000000	Filter ADC14 foamed rubber (AIF-12-A-ALL-01) ver.0		1	
序号	代号	名称	材料	数量	备注

					制图	版号	标题	图号	比例	1:2	数量	1
					设计	核准	AIF-50EB 风机入口过滤器	AIF-50EB-ALL		材质		
					校对		<b>SHINI</b> 信易電熱機械股份有限公司 Shini Plastics Technologies, Inc.		表面要求			
标记	更改前	更改后	更改人	日期	审核	日期		20200522		物料号		

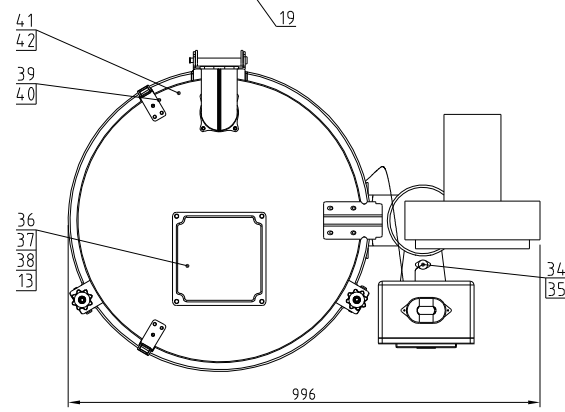
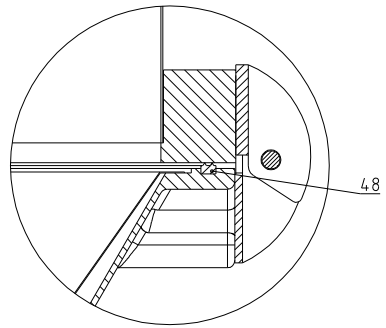
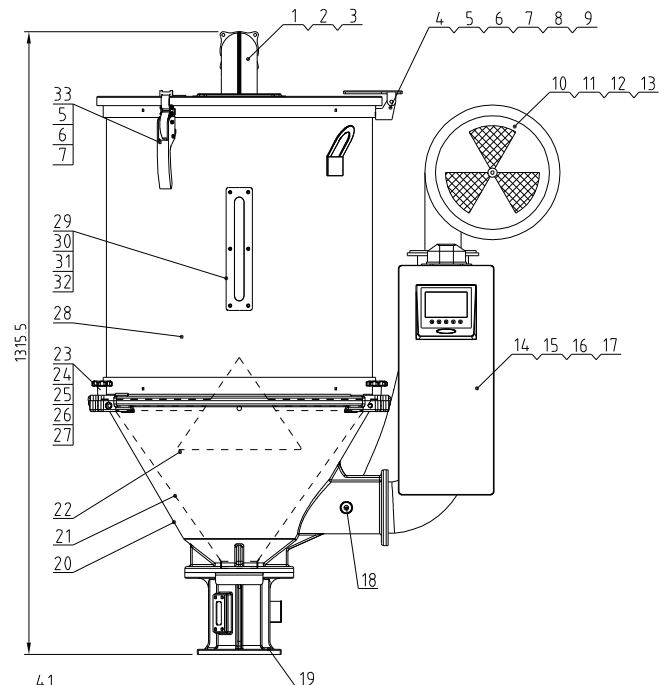
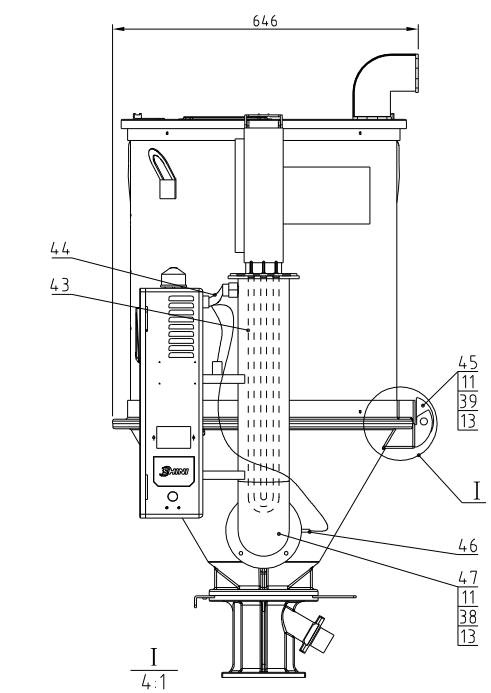


10	YW02003000400	Adjustable snap hook SAL-6U-A-35		1	
9	YW09050200000	Magnetic base hinge SCM-38-A-21/SGD-A-12 (ver.0)(has mould)		1	
8	YW01005000100	Magnetic base spring SHD-50-A-101		1	
7	YW70097500000	Sight glass 50KG( $\phi 97 \times 5$ mm)SHD-50-A-106(ver.C)		1	
6	BA10005000210	Magnetic base mirror frame SHD-50-A-96-0(processed)(has mould)		1	
5	BA20005000310	Magnetic base SHD-50-A-51(processed)(has mould)		1	
4	YW07001200000	Large shut-off plate HB-12-A-02(ver.A)(has mould)		1	
3	YW69616100000	Manual screw M6 $\times$ 16 $\times$ 16		1	
2	YA10005000100	Discharge port (has mould) SEHD-50-ALL-03(ver.0)		1	
1	YW09125000000	Small shut-off plate HB-12/50 T:1.4mm HB-12-A-03(ver.0)(has mould)		1	
序号	代号	名称	材质	数量	备注

					制图	版号	标题	图号	比例	1:5	数量	1	
					设计	核准	MB-50 磁力底座	MB-50-ALL		材质			
					校对		信易電熱機械股份有限公司 Shini Plastics Technologies, Inc.				表面要求		
标记	更改前	更改后	更改人	日期	审核	日期					20130108		



Blower Power		Pipe Heater Power	Hopper Capacity	Machine Version
50Hz:0.2kW	60Hz:0.24kW	6kW	100kg	Ver.C

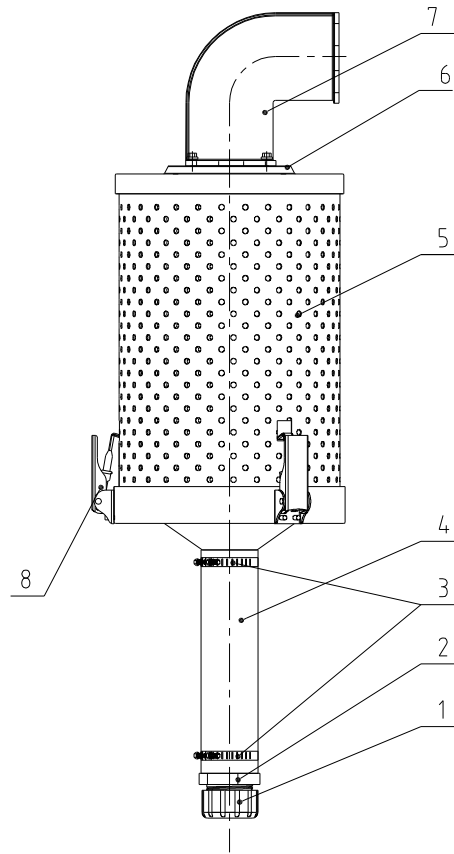


4.8	YR20861000100	Sealing silicone strip 8*6100/200/400 (Longfeng)	silical gel	1	1.88M
4.7	YL01100000100	Hot air pipe SHD-100E-A-08 drawing version 0	wiring parts	1	

4.6	YE90056500700	Thermocouple 5x65L-M8-1M pipe(SEHD-50-ALL-07 ver 0)	Assembly	1	
4.5	YW90010000200	Pipe heater SHD-100E-B-01 drawing ver 0 6KW/3/3/4.0	Assembly	1	
4.4	YE60122000100	High-grade plastic coated metal hose(φ120*1-13mm) Two ends are connected with zinc alloy outer wire M20*1.5	Assembly	1	
4.3	BH70103800050	Pipe heater SHD-100E-B-01 drawing ver 0 6KW/3/3/4.0	Assembly	1	
4.2	YR10010040000	Cover fastener SHD-100 white silical gel (has mould)	White silica gel	1	
4.1	YW90010002800	Hopper cover SHD-100E-A-04 (ver 0) Longfeng	SPCC1.5	1	
4.0	YW62061000000	Large cross recessed flat head screw J51111 M6x10-Longzine		6	
3.9	BL01121400120	Handle hook SHD-12E-A-14 (ver 0) (has mould)	SUS201	2	
3.8	YW66081600000	Flat washer A grade GB/T93.1B 4-16-1.6/Longzine		12	
3.7	YW60083000200	Hex. bolt GB/T5783 M8x30-8-Longzine		4	
3.6	BW09202000000	Square plate SEHD-100-A-09 (ver 0) (has mould)	SPCC1.0	1	
3.5	YW67030800000	Cross recessed pan head self-tapping set screw GB6560 M3.8 Longzine		2	
3.4	BE85018000350	Thermal protector K130 cent-grade (wire 0.5M) (Thermal protection normally open) (has rubber sleeve)	Assembly	1	
3.3	YW00121000000	Handle SEHD-25-A-08 (ver 0) (has mould)	Assembly	2	
3.2	YW64000500000	Hex nut M5 anti-loose		6	
3.1	BW09000630040	Sight glass iron sheet six hole (chrome-plated) SEHD-12-A-16 (drawing ver 0)	SPCC2.0	1	
3.0	YR40001200000	Acrylic six-hole SEHD-12-A-12 (ver 0) Max. PC (has mould)	PC	1	
2.9	YR40000600000	Sight glass iron sheet six hole (chrome-plated) SEHD-12-A-11 (drawing ver 0)	Rubber	1	
2.8	SHD-100E-A-01	Storage hopper body	Assembly	1	
2.7	YW66000600000	Ring opening GB/T896.6		2	
2.6	YW90661003800	Horizontal pin 66100/200/400 (Longfeng) 100 pcs/bag	Q235	2	
2.5	YW66103200000	Large washer A grade GB/T96.1010 5x30x2.5 -Longzine		2	
2.4	YW90001200400	Star ring screw small M10*4.0 SHD-12EB (Longfeng)	Q235	2	
2.3	YW90001200300	Star ring nut small SHD-12EB (Longfeng)	ku-site	2	
2.2	BL01010600220	Upper screen assembly SHD-100E-A-06 (drawing ver 0) Longfeng	SUS201	1	
2.1	YL01010000200	Lower screen assembly SHD-100E-A-05 (drawing ver 0) Longfeng	SUS201	1	
2.0	YW20100003500	Hopper SHD-100E-A-03 drawing ver 0 Longfeng Note: Distance φ135.4*φ130	AC4B	1	
1.9	BY10010000850	Base assembly SHB-100EB (Ver.B)	Assembly	1	
1.8	YW80010200100	Plug 1/4		1	
1.7	YW67042000600	Cross recessed pan head assembly screw GB/T 9074.4-M6x20-Longzine		2	
1.6	YW67040600600	Cross recessed pan head self-tapping set screw GB6560 M4.6-Longzine		4	
1.5	YW67051000700	Cross recessed pan head self-tapping set screw GB6560 M5*10-Longzine		4	
1.4	BL01050000120	Control box short box SEHD-500-ALL-28 (ver.B)	SPCC1.0	1	
1.3	YW65008000100	Standard spring washer GB/T93.8-Longzine		16	
1.2	YW66081900000	Flat washer 8x19x2.0 Longzine		4	
1.1	YW60082500100	Hex bolt GB/T5783 M8x25-12.9-Longzine		12	
1.0	YM40340000200	Blower 3*100E(3)φ380V~LTSV/50/60HZ/200W/240W	Assembly	1	
9	YW64000800100	Non metal insert hex lock nut GB/T889.1 M8		2	
8	YW60830000000	Inner hex column head screw GB/T191 M8-20-A2-70SUS		2	
7	YW65006000100	Standard spring washer GB/T93.6-Longzine		8	
6	YW66061300000	Flat washer A grade GB/T96.16-Longzine		8	
5	YW60061200000	Hex bolt GB/T5783 M6x12-12.9-Longzine		8	
4	YW90010000100	Hopper cover hinge SHD-100E-A-09 (drawing ver 0)	Assembly	1	
3	YW63061500000	Cross recessed pan head screw GB/T-818 M6x15-Longzine		4	
2	YR10500900300	Exhaust air pipe fastener SEHD-50-A-10 (ver 0) rubber (has mould)	Assembly	1	
1	BA10500707010	Exhaust air pipe SEHD-50-A-07 (ver 0) (has painted) (has mould)	AC4B	1	

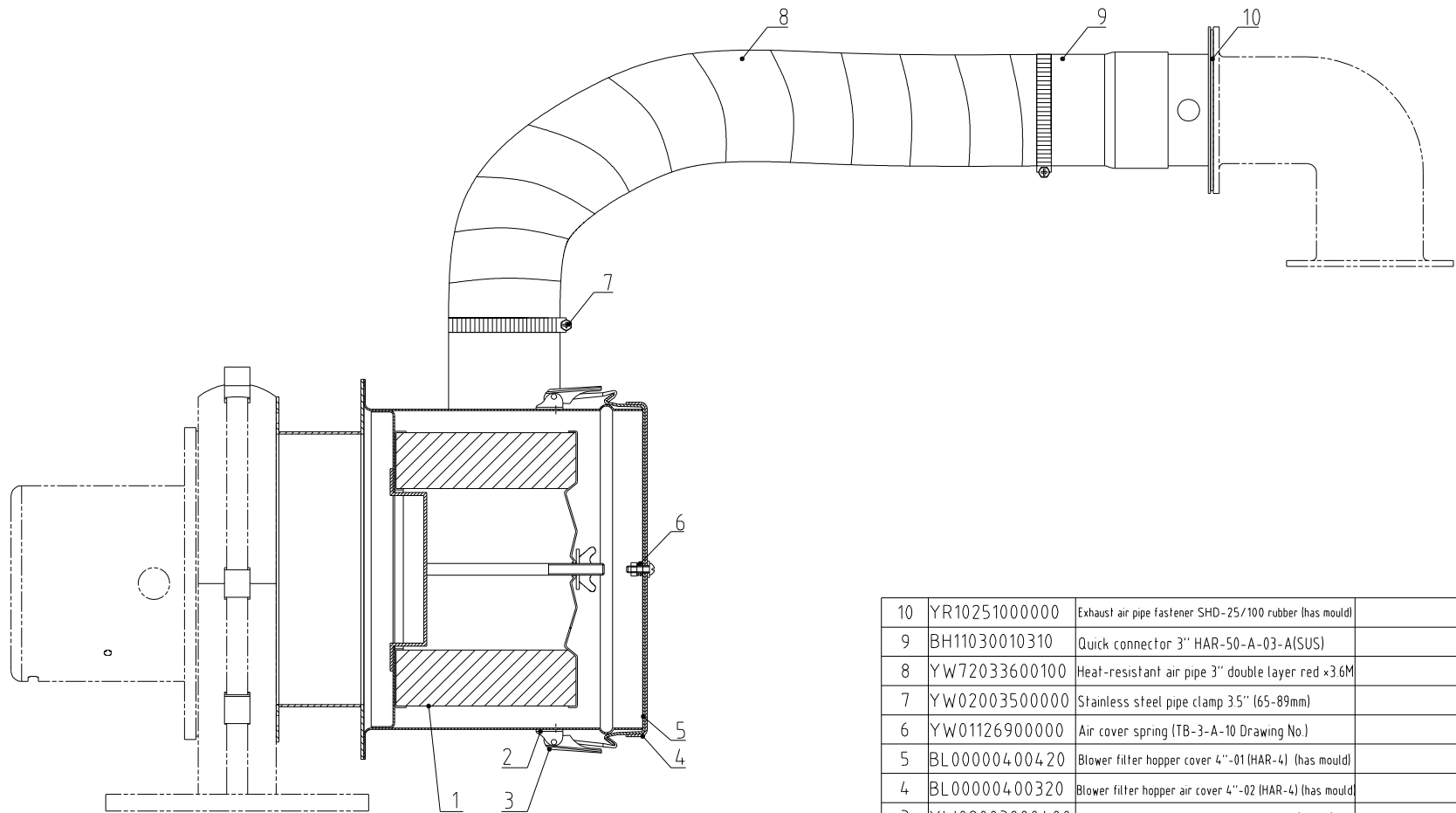
制图	版号	标题	SHD-100E	图号	Hopper cover hinge SHD-100E-A-09 drawing ver 0	比例	1:10	数量	
设计	核准	料斗干燥机						材质	
校对	审核							表面要求	
标记	更改前	更改后	更改人	日期	审核	日期		物料号	





8	YW02003000400	Adjustable snap hook SAL-6U-A-35(ver.c)		3	
7	YW20002507000	Exhaust air pipe SHD-25EB-A-03(ver.0)(Longfeng)		1	
6	YR10251000000	Exhaust air pipe fastener SHD-25EB-A-03 rubber (has mould)		2	
5	YR50181100000	Filter ADC2 fastener rubber (SMD-1000H-A-ALL-09) ver.0		1	
4	YE66515800000	PVC hose 2" inner dia. 50mm×0.8mm		1	
3	YW02002500000	Stainless steel pipe clamp 2.5"(40-64mm)		2	
2	YR40012500000	Plastic connector 1.25"		1	
1	YR40000000100	Bottom plug ADC-1-A-05 ver.0 (has mould)		1	
序号	代号	名称	材质	数量	备注

					制图		版号		标题	ADC-2	图号	ADC-2-ALL	比例	1:6	数量	1
					设计		核准		排风空气滤清器					材质		
					校对				信易电热机械股份有限公司 Shini Plastics Technologies, Inc.			表面要求				
标记	更改前	更改后	更改人	日期	审核		日期						物料号			

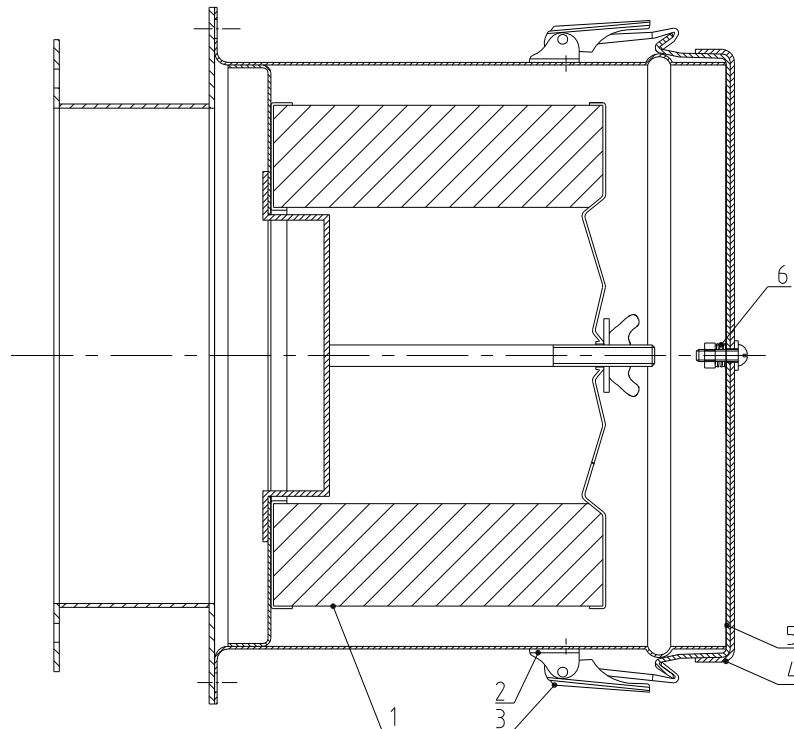


10	YR10251000000	Exhaust air pipe fastener SHD-25/100 rubber (has mould)		1	
9	BH11030010310	Quick connector 3" HAR-50-A-03-A(SUS)		1	
8	YW72033600100	Heat-resistant air pipe 3" double layer red x3.6M		0.35	
7	YW02003500000	Stainless steel pipe clamp 3.5" (65-89mm)		2	
6	YW01126900000	Air cover spring (TB-3-A-10 Drawing No.)		1	
5	BL000004.004.20	Blower filter hopper cover 4"-01 (HAR-4) (has mould)		1	
4	BL000004.003.20	Blower filter hopper air cover 4"-02 (HAR-4) (has mould)		1	
3	YW020030004.00	Adjustable snap hook SAL-6U-A-35(ver.c)		2	
2	YR40000600800	Adjustable snap hook pad SAL-6U(white)(has mould)		2	
1	YR50708000100	Filter 189x115x125 SAL-700G-A-20(ver.0)(rubber fastener)		1	
序号	代号	名称	材料	数量	备注

					制图	黄学明	版号	0	标题	HAR-100EB	图号	HAR-100EB-A-ALL	比例	1:4	数量	1
					设计	黄学明	核准			熱風回收器						
					校对											
标记	更改前	更改后	更改人	日期	审核		日期	20200917					表面要求			
													物料号			

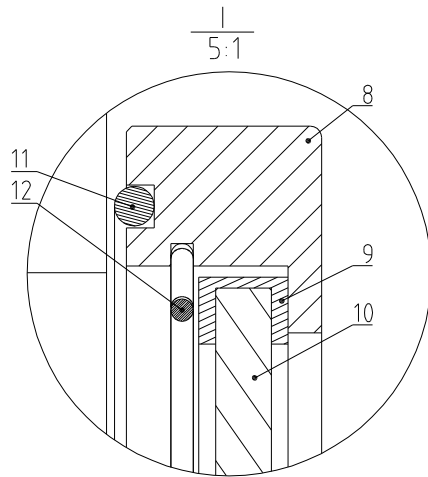
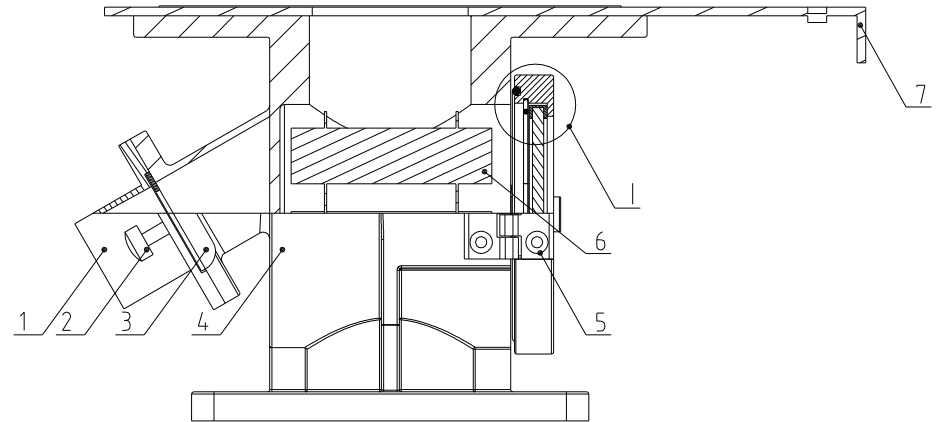
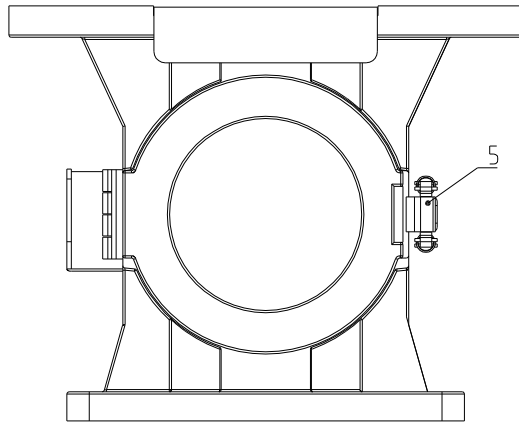


信易電熱機械股份有限公司  
Shini Plastics Technologies, Inc.



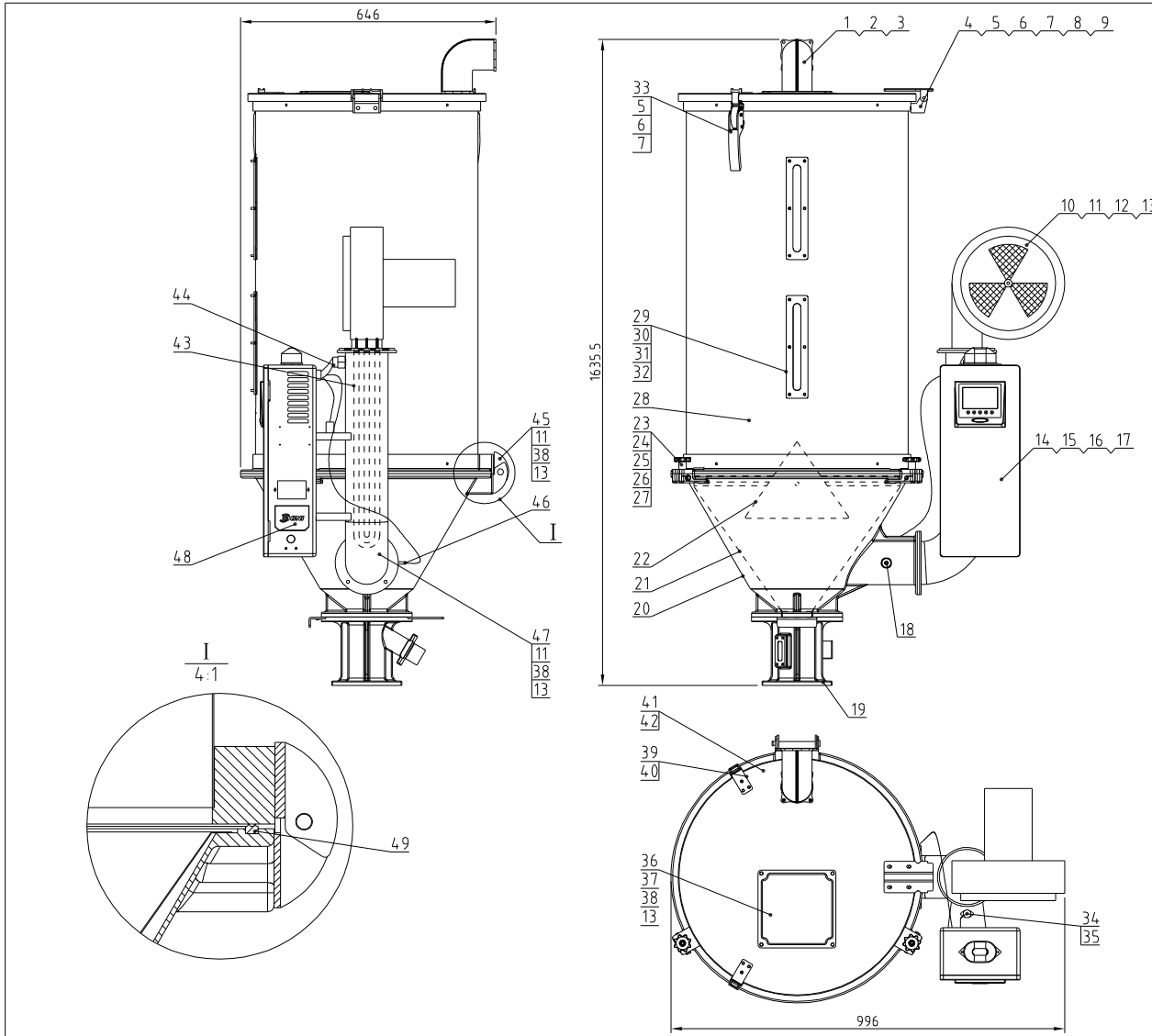
6	YW01126900000	Air cover spring (TB-3-A-10 Drawing No.)		1	
5	BL00000400420	Blower filter barrel cover 4"-01(HAR-4)(has mould)		1	
4	BL00000400320	Blower filter barrel air cover 4"-02(HAR-4)(has mould)		1	
3	YW02003000400	Adjustable snap hook SAL-6U-A-35(ver.c)		2	
2	YR40000600800	Adjustable snap hook pad SAL-6U(white)(has mould)		2	
1	YR50708000100	Filter 189*115*125 SAL-700G-A-20 (ver.0) (rubber fastener)		1	
序号	代号	名称	材料	数量	备注

					制图	版号	标题	图号	比例	1:2.5	数量	1
					设计	核准	AIF-100EB 风机入口过滤器	AIF-100EB-A-ALL		材质		
					校对							
标记	更改前	更改后	更改人	日期	审核	日期	20200917	<b>信易電熱機械股份有限公司</b> <b>Shini Plastics Technologies, Inc.</b>	物料号			



12	YA10030408000	Magnetic base 304 clamp 25-150KG(Long Feng)		1	
11	YA10254008800	Magnetic base oil seal 25-150KG(Long Feng)		1	
10	YA10254008000	Magnetic base glass 25-150KG(Long Feng)		1	
9	YA10040008800	Magnetic base glass rubber ring 25-150KG (Long Feng)MB-100EB-A-01(ver.0)		1	
8	YA10251508000	Magnetic base alu. ring 25-150KG(Long Feng)		1	
7	YW90010002900	Large drag plate HB-100EB-A-02(ver.0)(W100)(Long Feng)20pcs/case		1	
6	BA90251508010	Magnetic frame 25-150KG(Long Feng) 40pcs/case		1	
5	YW09254008000	Magnetic base hinge/lock 25-400KG(Long Feng)		1	
4	BW20101500010	Magnetic base 100-150KG(Long Feng) (painted)		1	
3	YW90125003000	Small drag plate HB-12EB-A-03(ver.0)(W50)100 block/case		1	
2	YW69616100000	Manual screw M6×16×16		1	
1	YW20255001000	Discharge port HB-25EB-A-02(ver.A)(Long Feng)		1	
序号	代号	名称	材质	数量	备注

					制图	版号	标题	图号	比例	1:3	数量	1
					设计	核准	MB-100EB 磁力底座	MB-100EB-ALL	表面要求	材质		
					校对		<b>信易電熱機械股份有限公司</b> <b>Shini Plastics Technologies, Inc.</b>					
标记	更改前	更改后	更改人	日期	审核	日期			20200522		物料号	

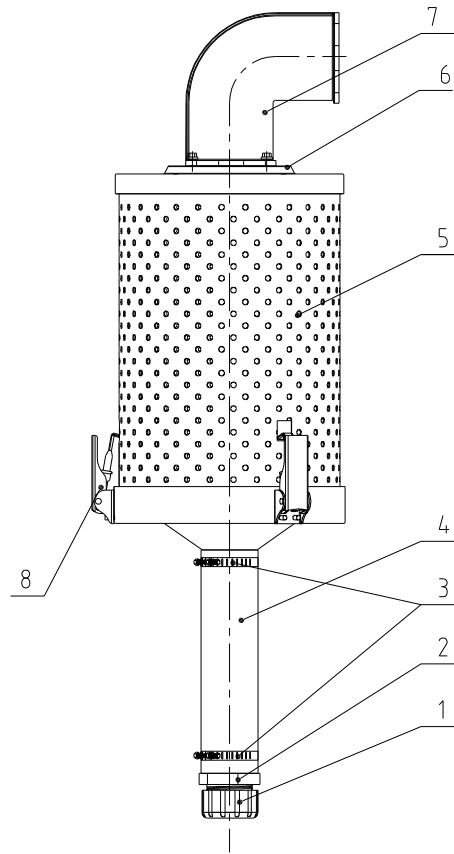


Blower Power	Pipe Heater Power	Hopper Capacity	Machine Version
50Hz:0.2kW	60Hz:0.24kW	6.6kW	150kg
			Ver.C

46	YE90056500700	Thermocouple 5x65L-M8x1M pipe(SEHD-50-ALL-07 ver 0)	Assembly	1
45	YW90010000200	Pipe heater SHD-100E-B-01 drawing ver 0 6KW/3.0x4.0	Assembly	1
44	YE60122000100	High-grade plastic coated metal hose(φ320x132mm) Two ends are connected with zinc alloy outer wire M20x15	Assembly	1
43	BH70153800050	Pipe heater SHD-100E-B-01 drawing ver 0 -6KW/3.0x4.0v	Assembly	1
42	YR10010040000	Cover fastener SHD-100 white silical gel (has mould)	White silica gel	1
41	YW90010002800	Hopper cover SHD-100E-A-04 liver 01 Longfeng	SPCC1.5	1
40	YW67061000000	Large cross recessed flat head screw J5.1111 M6x10-Longzine		6
39	BL01121400120	Handle hook SHD-12E-A-14 (ver 0)(has mould)	SUS201	2
38	YW66081600000	Flat washer A grade GB/T193 16x4-16x16-Longzine		16
37	YW60083000200	Hex bolt GB/T5783 M8x30-8.8-Longzine		4
36	BW09202000000	Square plate SEHD-100-A-09 liver 01(has mould)	SPCC1.0	1
35	YW67030800000	Cross recessed pan head self-tapping set screw GB6560 M5x8 Longzine		2
34	BE85018000350	Thermal protector K130 centgrade (wire 0.5M) (Thermal protection normally open)(has rubber sleeve)	Assembly	1
33	YW00121000000	Handle SEHD-25-A-08 (ver 0)(has mould)	Assembly	2
32	YW64000500000	Hex nut M5 anti-loose		6
31	BW09000630040	Sight glass iron sheet six hole (chrome-plated) SEHD-12-A-16 (drawing ver 0)	SPCC2.0	2
30	YR40001200000	Acrylic six-hole SEHD-12-A-12 (ver 0) Max. PC (has mould)	PC	2
29	YR40000600000	Sight glass iron sheet six hole (chrome-plated) SEHD-12-A-11 (drawing ver 0)	Rubber	2
28	SHD-150E-A-01	Storage hopper body	Assembly	1
27	YW66000600000	Ring opening GB/T896 6		2
26	YW90661003800	Horizontal pm 66100/200/400 (Longfeng) 100 pcs/bag	Q235	2
25	YW66103200000	Large washer A grade GB/T96 1010 5x30x2.5 -Longzine		2
24	YW90001200400	Star ring screw small M10x4.0 SHD-12EB (Longfeng)	Q235	2
23	YW90001200300	Star ring nut small SHD-12EB (Longfeng)	kur site	2
22	BL01100600220	Upper screen assembly SHD-100E-A-06 drawing ver 0 Longfeng	SUS201	1
21	YL01010000200	Lower screen assembly SHD-100E-A-05 drawing ver 0 Longfeng	SUS201	1
20	YW20100003500	Hopper SHD-100E-A-03 drawing ver 0 Longfeng	AC4B	1
19	BY10010000850	Base assembly SHB-100EB (Ver.B)	Assembly	1
18	YW80010200100	Plug 1/4		1
17	YW67042000600	Cross recessed pan head assembly screw GB/T 9074.4-M6x20-Longzine		2
16	YW67040600600	Cross recessed pan head self-tapping set screw GB6560 M6x6-Longzine		4
15	YW67051000700	Cross recessed pan head self-tapping set screw GB6560 M5x10-Longzine		4
14	BL01050000120	Control box short box SEHD-500-ALL-28 (ver.B)	SPCC1.0	1
13	YW65008000100	Standard spring washer GB/T193 8-Longzine		20
12	YW66081900000	Flat washer 8x19x2.0 Longzine		4
11	YW60082500100	Hex bolt GB/T5783 M8x25-12.9-Longzine		16
10	YM40340000200	Blower 3'(100E)3.0-380V-4.15V/50/60Hz/200W/240W	Assembly	1
9	YW64000800100	Non-metal insert hex lock nut GB/T889 1 M8		2
8	YW60830000000	Inner hex column head screw GB/T1701 M8x30-A2-7H/SUS		2
7	YW65006000100	Standard spring washer GB/T193 6-Longzine		8
6	YW66061300000	Flat washer A grade GB/T96 1.6-Longzine		8
5	YW60061200000	Hex bolt GB/T5783 M6x12-12.9-Longzine		8
4	YW90010000100	Hopper cover hinge SHD-100E-A-09 drawing ver 0	Assembly	1
3	YW63061500000	Cross recessed pan head screw GB/T-818 M6x15-Longzine		4
2	YR10500900300	Exhaust air pipe fastener SEHD-50-A-10 (ver 0) rubber (has mould)	Rubber	1
1	BA10500707010	Exhaust air pipe SEHD-50-A-07 (ver 0)(has painted) (has mould)	AC4B	1

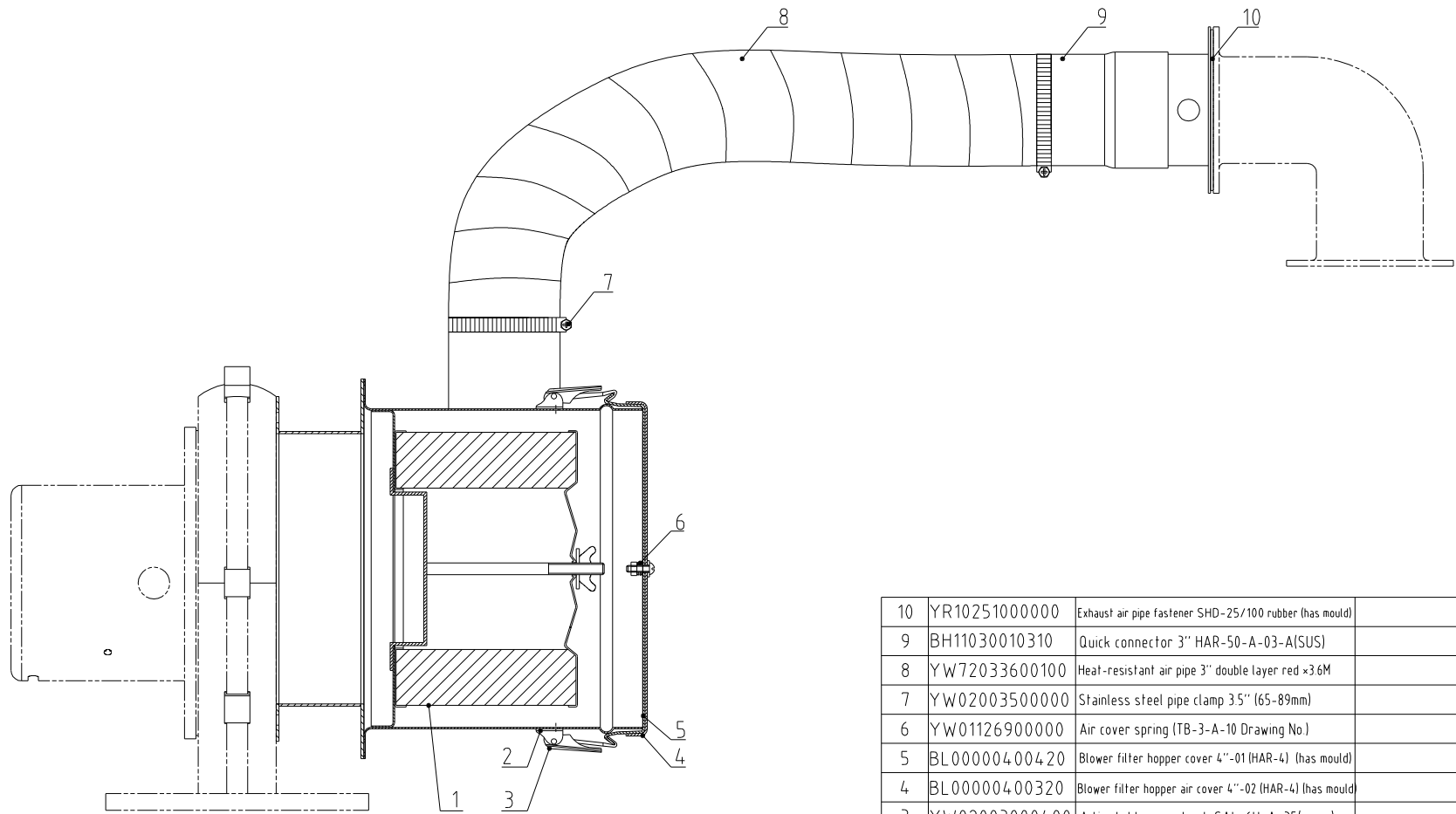
48	YR20861000100	Sealing silicone strip 8-61100/200/400 (Longfeng)	silical gel	1	1.88M
47	YL01100000100	Hot air pipe SHD-100E-A-08 drawing version 0	welding parts	1	

				制图	版号	标题 SHD-150E 料斗干燥机	图号	比例 1:11	数量	备注			
				设计	核准						SHINI 信易电热机械股份有限公司 Shini Plastics Technologies, Inc.	表面要求	材质
				校对	日期								
标记	更改前	更改后	更改人	日期	审核	日期							



8	YW02003000400	Adjustable snap hook SAL-6U-A-35(ver.c)		3	
7	YW20002507000	Exhaust air pipe SHD-25EB-A-03(ver.0)(Longfeng)		1	
6	YR10251000000	Exhaust air pipe fastener SHD-25EB-A-03 rubber (has mould)		2	
5	YR50181100000	Filter ADC2 fastener rubber (SMD-1000H-A-ALL-09) ver.0		1	
4	YE66515800000	PVC hose 2" inner dia. 50mm×0.8mm		1	
3	YW02002500000	Stainless steel pipe clamp 2.5"(40-64mm)		2	
2	YR40012500000	Plastic connector 1.25"		1	
1	YR40000000100	Bottom plug ADC-1-A-05 ver.0 (has mould)		1	
序号	代号	名称	材质	数量	备注

					制图		版号		标题	ADC-2	图号	ADC-2-ALL	比例	1:6	数量	1
					设计		核准		排风空气滤清器					材质		
					校对				信易电热机械股份有限公司 Shini Plastics Technologies, Inc.			表面要求				
标记	更改前	更改后	更改人	日期	审核		日期						物料号			



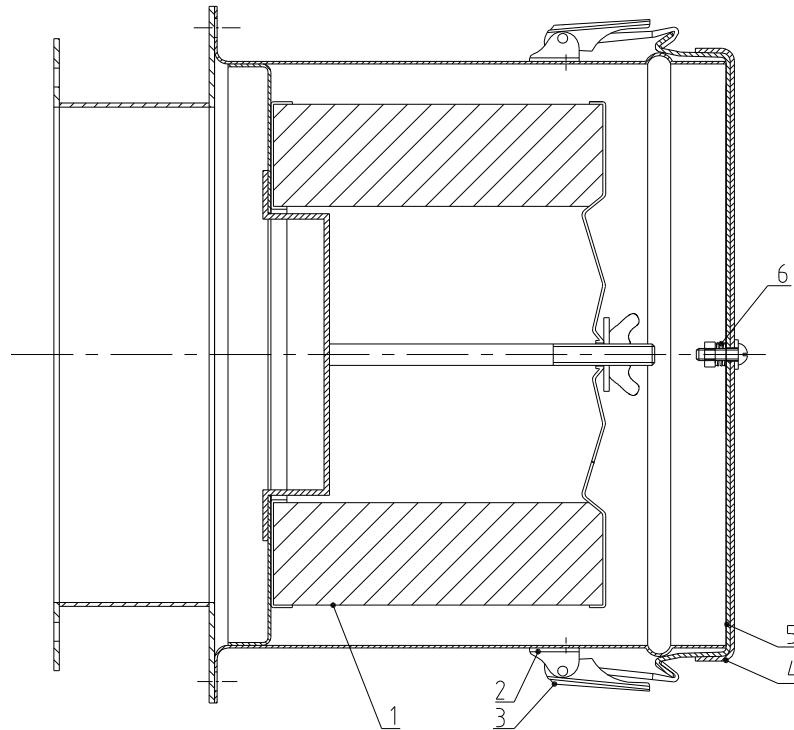
10	YR10251000000	Exhaust air pipe fastener SHD-25/100 rubber (has mould)		1	
9	BH11030010310	Quick connector 3" HAR-50-A-03-A(SUS)		1	
8	YW72033600100	Heat-resistant air pipe 3" double layer red x3.6M		0.35	
7	YW02003500000	Stainless steel pipe clamp 3.5" (65-89mm)		2	
6	YW01126900000	Air cover spring (TB-3-A-10 Drawing No.)		1	
5	BL000004.004.20	Blower filter hopper cover 4"-01 (HAR-4) (has mould)		1	
4	BL000004.003.20	Blower filter hopper air cover 4"-02 (HAR-4) (has mould)		1	
3	YW02003000400	Adjustable snap hook SAL-6U-A-35(ver.c)		2	
2	YR40000600800	Adjustable snap hook pad SAL-6U(white)(has mould)		2	
1	YR50708000100	Filter 189x115x125 SAL-700G-A-20(ver.0)(rubber fastener)		1	
序号	代号	名称	材料	数量	备注

					制图	黄学明	版号	0	标题	HAR-100EB	图号	HAR-100EB-A-ALL	比例	1:4	数量	1
					设计	黄学明	核准			熱風回收器						
					校对											
标记	更改前	更改后	更改人	日期	审核		日期	20200917					表面要求			
													物料号			



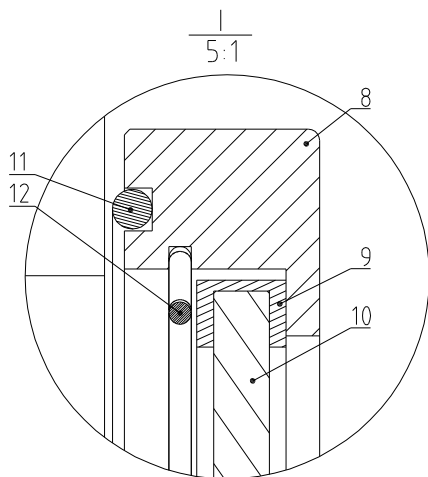
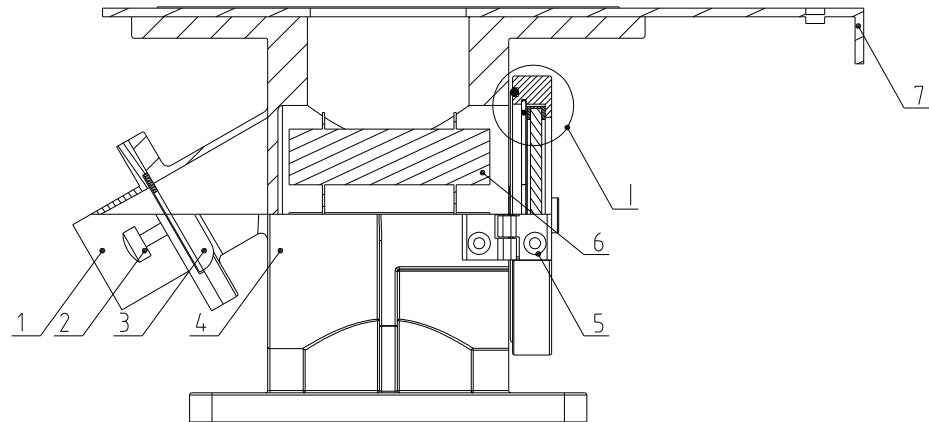
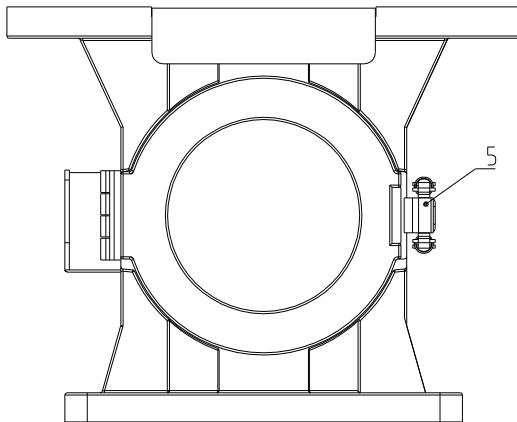
信易電熱機械股份有限公司  
Shini Plastics Technologies, Inc.





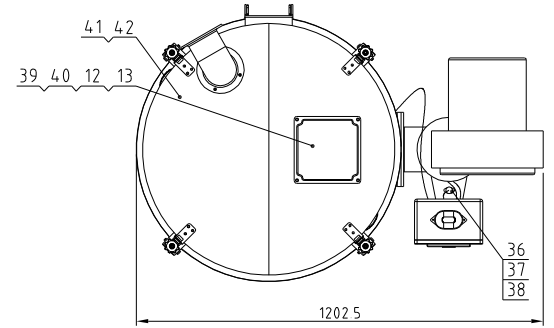
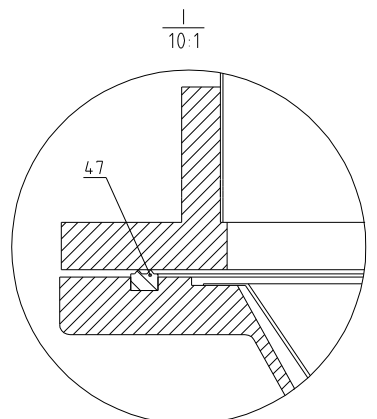
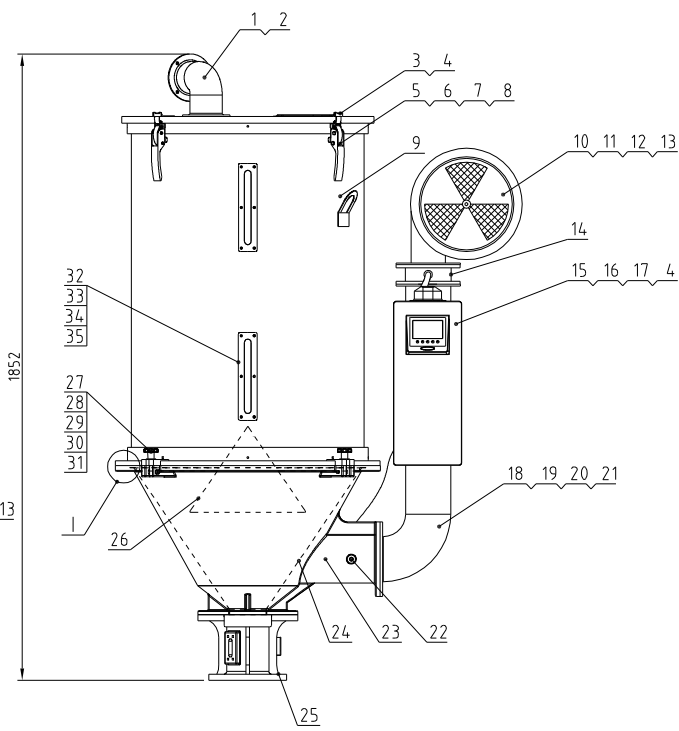
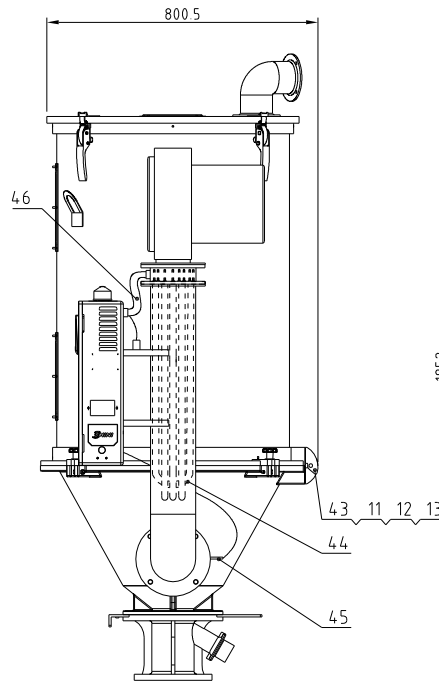
6	YW01126900000	Air cover spring (TB-3-A-10 Drawing No.)		1	
5	BL00000400420	Blower filter barrel cover 4"-01(HAR-4)(has mould)		1	
4	BL00000400320	Blower filter barrel air cover 4"-02(HAR-4)(has mould)		1	
3	YW02003000400	Adjustable snap hook SAL-6U-A-35(ver.c)		2	
2	YR40000600800	Adjustable snap hook pad SAL-6U(white)(has mould)		2	
1	YR50708000100	Filter 189x115x125 SAL-700G-A-20 (ver.0) (rubber fastener)		1	
序号	代号	名称	材料	数量	备注

					制图	版号	标题	图号	比例	1:2.5	数量	1
					设计	核准	AIF-100EB 风机入口过滤器	AIF-100EB-A-ALL		材质		
				校对	日期		20200917					
标记	更改前	更改后	更改人	日期	审核	日期				物料号		



12	YA10030408000	Magnetic base 304 clamp 25-150KG(Long Feng)		1	
11	YA10254008800	Magnetic base oil seal 25-150KG(Long Feng)		1	
10	YA10254008000	Magnetic base glass 25-150KG(Long Feng)		1	
9	YA10040008800	Magnetic base glass rubber ring 25-150KG(Long Feng)MB-100EB-A-01(ver.0)		1	
8	YA10251508000	Magnetic base alu. ring 25-150KG(Long Feng)		1	
7	YW90010002900	Large drag plate HB-100EB-A-02(ver.0)IW100(Long Feng)20pcs/case		1	
6	BA90251508010	Magnetic frame 25-150KG(Long Feng) 4.0pcs/case		1	
5	YW09254008000	Magnetic base hinge/lock 25-400KG(Long Feng)		1	
4	BW20101500010	Magnetic base 100-150KG(Long Feng) (painted)		1	
3	YW90125003000	Small drag plate HB-12EB-A-03(ver.0)IW501100 block/case		1	
2	YW69616100000	Manual screw M6×16×16		1	
1	YW20255001000	Discharge port HB-25EB-A-02(ver. A)(Long Feng)		1	
序号	代号	名称	材质	数量	备注

					制图	版号	标题	图号	比例	1:3	数量	1
					设计	核准	MB-100EB 磁力底座	MB-100EB-ALL	表面要求 材质			
					校对							
标记	更改前	更改后	更改人	日期	审核	日期	20200522	<b>信易電熱機械股份有限公司</b> <b>Shini Plastics Technologies, Inc.</b>	物料号			

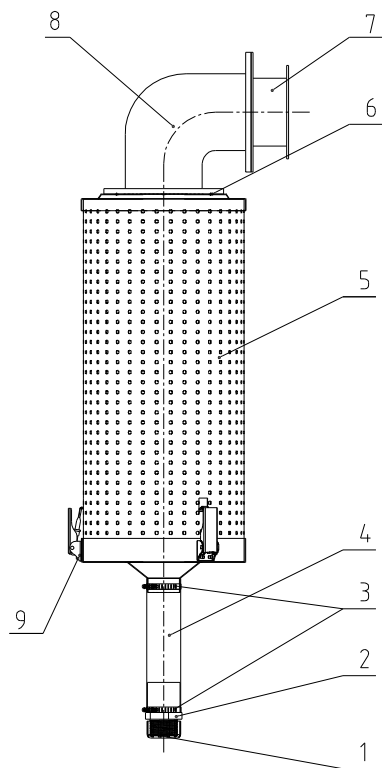


Blower Power	Pipe Heater Power	Hopper Capacity	Machine Version
50Hz-0.35kW	60Hz-0.42kW	12kW	200kg
			Ver D

46	YE60122400100	High grade plastic coated metal hose #1021khaol Two ends are connected with zinc alloy outer wire M20x15	Assembly	1
45	YE90059301300	Thermocouple 5x93L-M5x2M pipe(SHD-600U-A-55 ver 0)	Assembly	1
44	BH70020001450	Pipe heater SHD-200E-B-08drawing ver 0 12KW/3.0-400V	Assembly	1
43	YW90204003300	Hinge (large) SHD-600E-A-09 drawing ver 0 Longfeng	Assembly	1
42	YR10010040000	Cover fastener SHD-100 white silical gel (has mould)	White silica gel	2
41	YW90020002800	Hopper cover SHD-200E-A-06 (ver 0) Longfeng	SPCC18	1
40	YW60083000200	Hex bolt GB/T5783 M8x30-8-Longzine		4
39	BW09202000000	Square plate SHD-100-A-09 (ver 0)(has mould)	SPCC10	1
38	YW64000300100	Hex nut GB/T6170 M3-Longzine		2
37	YE50380000000	Umbrella screw M3x8(SUS304)		2
36	BE85018000350	Thermal protector K180 centrifuge (wire 0 SMI) (thermal protection normally open)(has rubber sleeve)	Assembly	1
35	YW64000500000	Hex nut M5 anti-loose		12
34	BW09006300400	Sight glass iron sheet six hole (chrome-plated) SEHD-12-A-16 (drawing ver 0)	SPCC2.0	2
33	YR40001200000	Acrylic six-hole SEHD-12-A-12 (ver 0) Mat PC (has mould)	PC	2
32	YR40000600000	Sight glass iron sheet six hole (chrome-plated) SEHD-12-A-11 (drawing ver 0)	Rubber	2
31	YW66000600000	Ring opening GB/T896 6		4
30	YW90661003800	Horizontal pin 66100/200/400 (Longfeng) 100 pcs/bag	Q235	4
29	YW66103200000	Large washer A grade GB/T91 10105x2x25 -Longzine		4
28	YW90012400200	Star ring screw big 100/200/400 (Longfeng) 150set/case	Q235	4
27	YW90012400100	Star ring nut big 100/200/400 (Longfeng) 150 set/case	kirsite	4
26	BL01200800220	Upper screen SHD-200E-A-08 drawing ver 0	SUS201	1
25	BY10020003850	Base assembly SHB-200EB (Long Feng)	AC4B	1
24	YL01020000200	Lower screen assembly SHD-200E-A-07 drawing ver 0 Longfeng	SUS201	1
23	YW20020001500	Lower screen assembly SHD-200E-A-03 drawing ver 0 Longfeng	AC4B	1
22	YW80010200100	Plug 1/4		1
21	YW65012000000	Standard spring washer GB/T93 12-Longzine		4
20	YW66024130000	Large washer A grade GB/T91 10105x2x25 -Longzine		4
19	YW60124500000	Hex bolt GB/T5783 M12x45-8-8-Longzine		4
18	YW20020002100	Hot air pipe SHD-200E-A-05 drawing version 0 Longfeng	AC4B	1
17	YW67042000600	Cross recessed pan head self-tapping set screw GB6560 M4x20-Longzine		2
16	YW67040600600	Cross recessed pan head self-tapping set screw GB6560 M4x6-Longzine		4
15	BL01050000120	Control box short box SEHD-500-ALL-28 (ver 0)	welding parts	1
14	YW20020000200	Blower mount flange SHD-200E-A-02 drawing ver 0 Longfeng	AC4B	1
13	YW66081600000	Flat washer A grade GB/T91 8.4-16-16L ongzine		20
12	YW65008000100	Standard spring washer GB/T93 8-Longzine		20
11	YW60082500100	Hex bolt GB/T5783 M8x25-12.9-Longzine		20
10	YM40020003200	Blower 4"200E13 380V~415V/50/60HZ/350W/420W	Assembly	1
9	SHD-200E-A-09	Storage hopper body	Assembly	1
8	YW65006000100	Standard spring washer GB/T93 6-Longzine		8
7	YW66061300000	Flat washer A grade GB/T91 1.6-Longzine		8
6	YW60061200000	Hex bolt GB/T5783 M6x12-12.9-Longzine		8
5	YW00121000000	Handle SEHD-25-A-08 (ver 0)(has mould)	Assembly	4
4	YW62061000000	Large cross recessed flat head screw J5111 M6x10-Longzine		16
3	BL01121400120	Handle hook SHD-12E-A-14 (drawing ver 0)	SUS201	4
2	YW63061500000	Cross recessed pan head screw GB/T-818 M6x15-Longzine		4
1	YW20020001800	Exhaust air pipe SHD-200E-A-04 (ver 0)Longfeng	AC4B	1

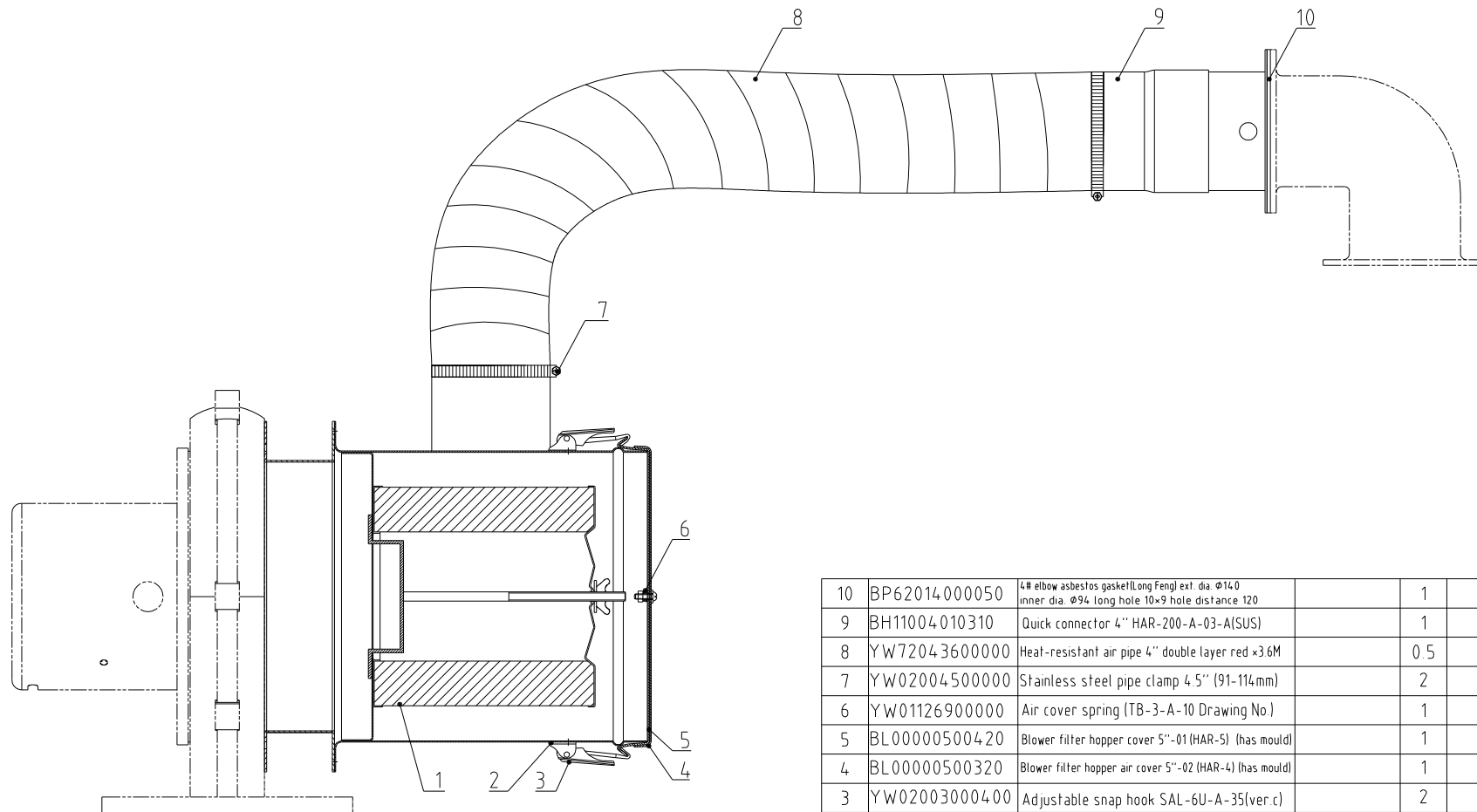
47	YR20861000100	Sealing silicone strip 8-6100/200/4001 (Longfeng)	White silica gel	2.34M
----	---------------	---	------------------	-------

标记	更改前	更改后	更改人	日期	制图	版号	标题	图号	比例	1:1	数量	备注
					设计	核准	SHD-200E					
					校对		料斗干燥机					
					审核		<b>信易电热机械股份有限公司</b> <b>Shini Plastics Technologies, Inc.</b>					表面要求
					日期			物料号				



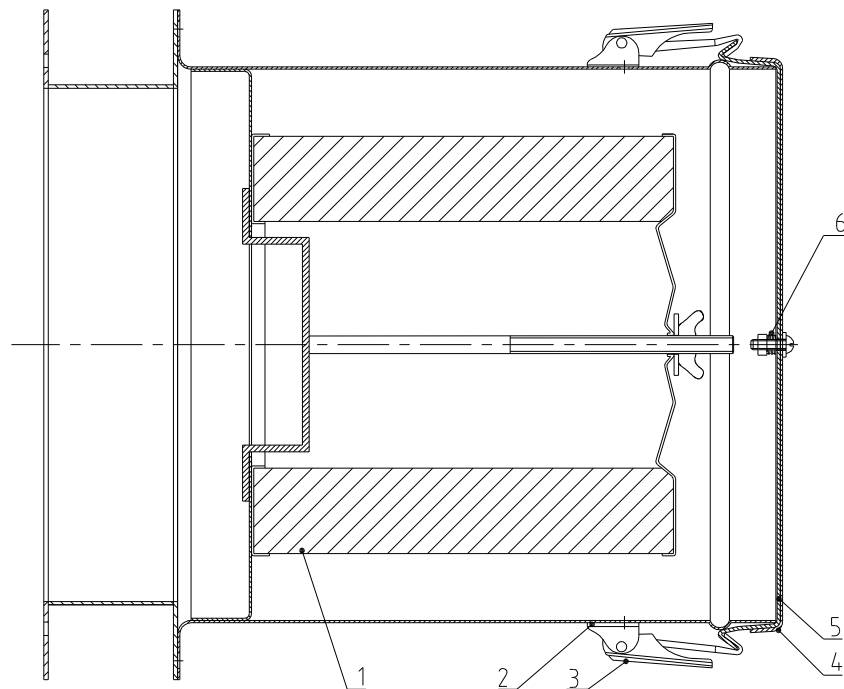
9	YW02003000400	Adjustable snap hook SAL-6U-A-35(ver.c)		3	
8	BA10020000210	Exhaust air pipe SEHD-200-A-14(200/1000)(ver.0)(painted)(has mould)		1	
7	BL90000300120	Adaptor flange ADC-3EB-A-01(ver.0)		1	
6	YR10204000000	Exhaust air pipe fastener SEHD-200-A-15(ver.0) rubber (has mould)		2	
5	YR50241400100	Filter ADC3 fastener rubber (SMD-2000H-A-ALL-11) ver.B		1	
4	YE66515800000	PVC hose 2" inner dia 50mm x 0.8mm		1	
3	YW02002500000	Stainless steel pipe clamp 2.5"(40-64mm)		2	
2	YR40012500000	Plastic connector 1.25"		1	
1	YR40000000100	Bottom plug ADC-1-A-05 ver.0 (has mould)		1	
序号	代号	名称	材质	数量	备注

					制图	版号	标题	图号	比例	1:10	数量	1
					设计	核准	ADC-3EB	ADC-3EB-ALL				
				校对		排风空气滤清器		表面要求				
标记	更改前	更改后	更改人	日期	审核	日期	信易電熱機械股份有限公司 Shini Plastics Technologies, Inc.			物料号		



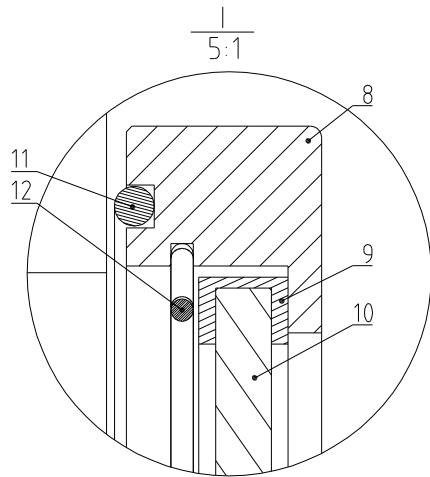
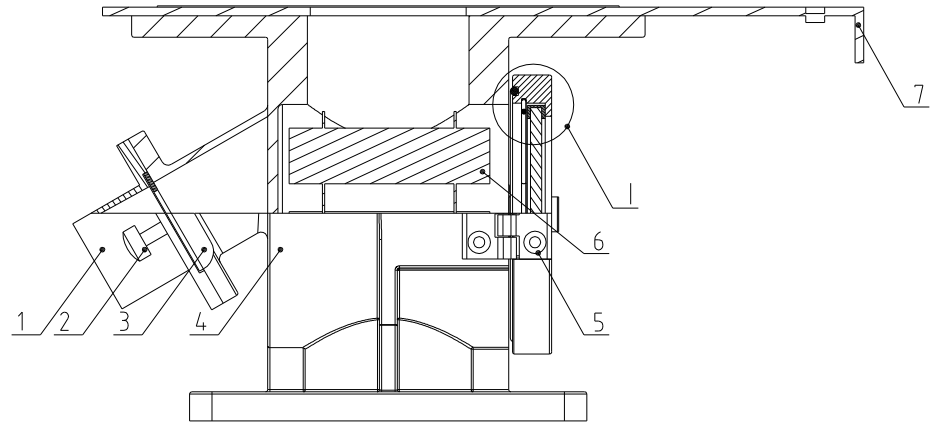
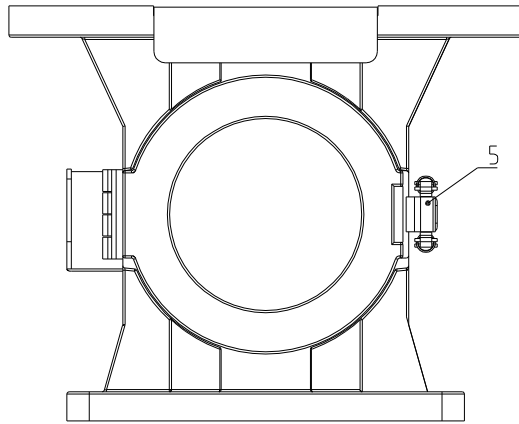
10	BP62014000050	4# elbow asbestos gasket(Long Feng) ext. dia. $\phi$ 14.0 inner dia. $\phi$ 9.4 long hole 10x9 hole distance 120		1	
9	BH11004010310	Quick connector 4" HAR-200-A-03-A(SUS)		1	
8	YW72043600000	Heat-resistant air pipe 4" double layer red x3.6M		0.5	
7	YW02004500000	Stainless steel pipe clamp 4.5" (91-114mm)		2	
6	YW01126900000	Air cover spring (TB-3-A-10 Drawing No.)		1	
5	BL00000500420	Blower filter hopper cover 5"-01(HAR-5) (has mould)		1	
4	BL00000500320	Blower filter hopper air cover 5"-02 (HAR-4) (has mould)		1	
3	YW02003000400	Adjustable snap hook SAL-6U-A-35(ver.c)		2	
2	YR40000600800	Adjustable snap hook pad SAL-6U(white)(has mould)		2	
1	YR50181900000	Filter HAR ext. 188xinner 114/88xH191		1	
序号	代号	名称	材料	数量	备注

					制图	版号	标题	图号	比例	1:5	数量	1
					设计	核准	HAR-200EB	HAR-200EB-ALL				
					校对		热风回收器					
标记	更改前	更改后	更改人	日期	审核	日期	<b>信易电热机械股份有限公司</b> <b>Shini Plastics Technologies, Inc.</b>				表面要求	
							20200917				物料号	



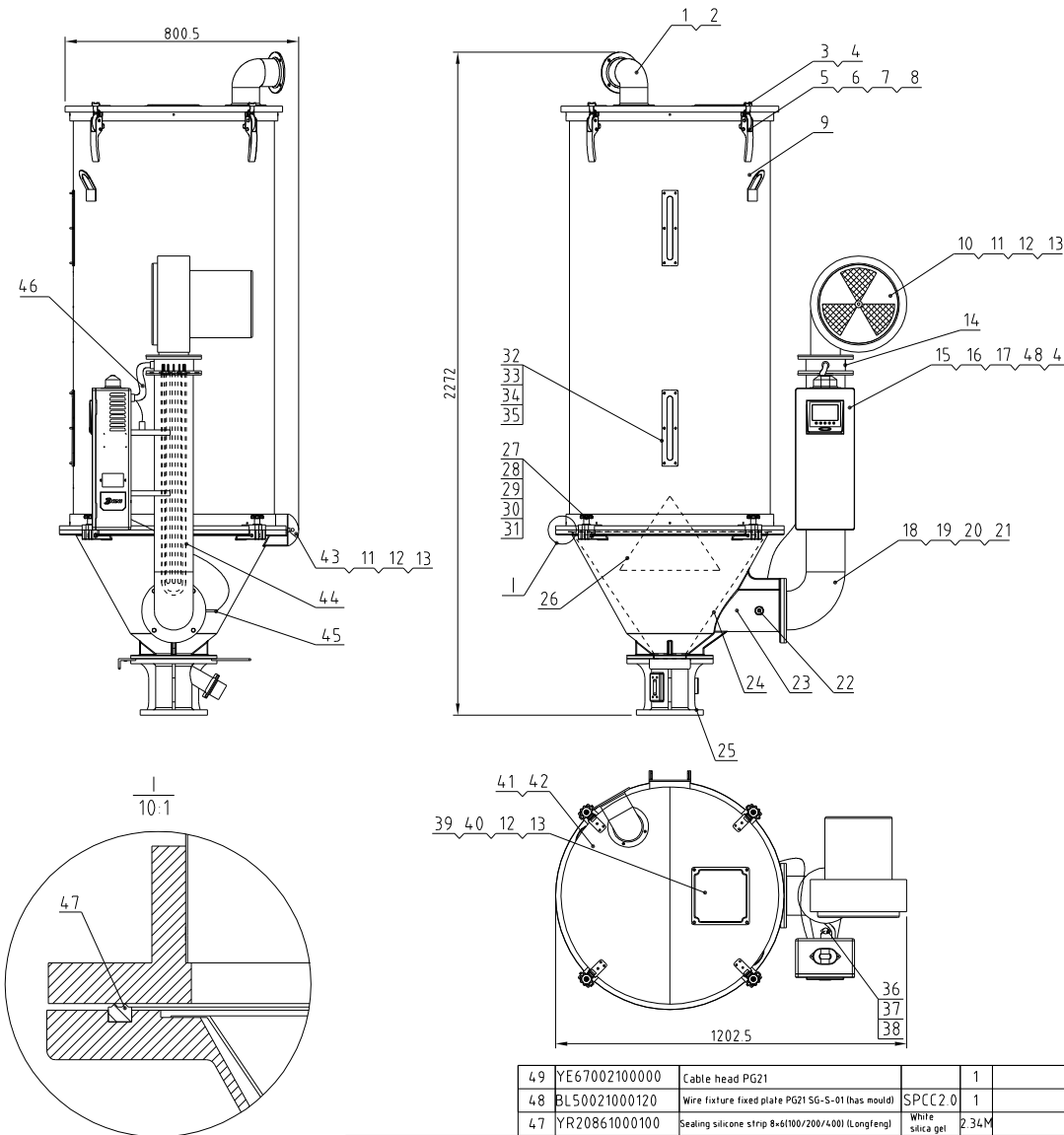
6	YW01126900000	Air cover spring (TB-3-A-10 Drawing No.)		1	
5	BL00000500420	Blower filter barrel cover 5"-01(HAR-5)(has mould)		1	
4	BL00000500320	Blower filter barrel air cover 5"-02(HAR-5)(has mould)		1	
3	YW02003000400	Adjustable snap hook SAL-6U-A-35(ver.c)		2	
2	YR40000600800	Adjustable snap hook pad SAL-6U(white)(has mould)		2	
1	YR50181900000	Filter HAR ext. 188×inner 114/88×H191		1	
序号	代号	名称	材料	数量	备注

					制图	版号	标题	图号	比例	1:3	数量	1
					设计	核准	AIF-200EB 风机入口过滤器	AIF-200EB-ALL		材质		
					校对		<b>信易電熱機械股份有限公司</b> <b>Shini Plastics Technologies, Inc.</b>			表面要求		
标记	更改前	更改后	更改人	日期	审核	日期			20200917		物料号	



12	YA10030406000	Magnetic base 304 clamp 200-400KG(Long Feng)		1	
11	YA10203006000	Magnetic base oil seal 200/300(Long Feng)		1	
10	YA10204006000	Magnetic base glass 200-400KG(Long Feng)		1	
9	YA10240006000	Magnetic base glass rubber ring 200-400KG(Long Feng)		1	
8	YA10020008000	Magnetic base alu. ring 200KG (L) (Long Feng)		1	
7	YW90020002900	Large drag plate HB-200EB-A-03(ver.01/w.14.0)(Long Feng)		1	
6	BA90020008010	Magnetic frame 200 KG L (Long Feng)		1	
5	YW09254008000	Magnetic base hinge/lock 25-400KG(Long Feng)		1	
4	BW20020000710	Magnetic base 200KG(Long Feng) (painted)		1	
3	YW90020003000	Small drag plate HB-200EB-A-04(ver.01/w.60)		1	
2	YW69616100000	Manual screw M6×16×16		1	
1	YW20020001900	Discharge port HB-200EB-A-02(ver.A)(Long Feng)		1	
序号	代号	名称	材质	数量	备注

					制图	版号	标题	图号	比例	1:3	数量	1
					设计	核准	MB-200EB	MB-200EB-ALL				
					校对		磁力底座					
标记	更改前	更改后	更改人	日期	审核	日期	信易電熱機械股份有限公司 Shini Plastics Technologies, Inc.				表面要求	
									物料号			



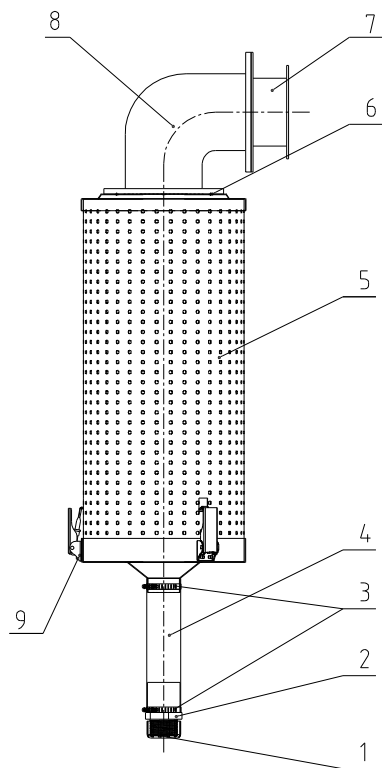
Blower Power		Pipe Heater Power	Hopper Capacity	Machine Version
50Hz-0.35kW	60Hz-0.42kW	15kW	300kg	Ver.D

46	YE60122400100	High-grade plastic coated metal hose #102(1mm)	Assembly	1
45	YE90059301300	Thermocouple 5-93L-M8-2M pipe(SHD-600U-A-55 ver.0)	Assembly	1
44	BH70030001450	Pipe heater SHD-300E-B-07 drawing ver.0 15KW/3000W	Assembly	1
43	YW90204003300	Hinge (large) SHD-600E-A-09 drawing ver.0 Longfeng	Assembly	1
42	YR10010040000	Cover fastener SHD-100 white silica gel (has mould)	White silica gel	2
41	YW90020002800	Hopper cover SHD-200E-A-06 (ver.0) Longfeng	SPCC1.8	1
40	YW60083000200	Hex. bolt GB/T5783 M8x30-8.8-Longzine		4
39	BW09202000000	Square plate SEHD-100-A-09 (ver.0)(has mould)	SPCC1.0	1
38	YW64000300100	Hex nut GB/T6170 M3-Longzine		2
37	YE50380000000	Umbrella screw M3x8(SUS304)		2
36	BE85018000350	Thermal protector K180 centrifuge (wire 0.5M) (thermal protection normally open)(has rubber sleeve)	Assembly	1
35	YW64000500000	Hex nut M5 anti-loose		12
34	BW09000630040	Sight glass iron sheet six hole (chrome-plated) SEHD-12-A-16 (drawing ver.0)	SPCC2.0	2
33	YR40001200000	Acrylic six-hole SEHD-12-A-12 (ver.0) Mat. PC (has mould)	PC	2
32	YR40000600000	Sight glass iron sheet six hole (chrome-plated) SEHD-12-A-11 (drawing ver.0)	Rubber	2
31	YW66000600000	Ring opening GB/T896 6		4
30	YW90661003800	Horizontal pin 64100/200/400 (Longfeng) 100 pcs/bag	Q235	4
29	YW66103200000	Large washer A grade GB/T93 10/10 (5x30x2.5) -Longzine		4
28	YW90012400200	Star ring screw big 100/200/400 (Longfeng) 150set/case	Q235	4
27	YW90012400100	Star ring nut big 100/200/400 (Longfeng) 150 set/case	kirsite	4
26	BL01200800220	Upper screen SHD-200E-A-08 drawing ver.0	SUS201	1
25	BY10020003850	Base assembly SHB-200E (Longfeng)	Assembly	1
24	YL01020000200	Lower screen assembly SHD-200E-A-07 drawing ver.0 Longfeng	SUS201	1
23	YW20020001500	Hopper SHD-200E-A-03 drawing ver.0 Longfeng	AC4B	1
22	YW80010200100	Plug 1/4"		1
21	YW65012000000	Standard spring washer GB/T93 12-Longzine		4
20	YW66024130000	Large washer A grade GB/T93 10/10 (5x30x2.5) -Longzine		4
19	YW60124500000	Hex bolt GB/T5783 M12x45-8.8-Longzine		4
18	YW20020002100	Hot air pipe SHD-200E-A-05 drawing version 0 Longfeng	AC4B	1
17	YW67051000700	Cross recessed pan head self-tapping set screw GB6560 M4x20-Longzine		4
16	YW67040600600	Cross recessed pan head self-tapping set screw GB6560 M4x6-Longzine		4
15	BL01500001020	Control box short box SHD-500E-A-03 drawing ver.0	welding parts	1
14	YW20020000200	Blower mount flange SHD-200E-A-02 drawing ver.0 Longfeng	AC4B	1
13	YW66081600000	Flat washer A grade GB/T93 18.4-16-16L-Longzine		20
12	YW65008000100	Standard spring washer GB/T93 8-Longzine		20
11	YW60082500100	Hex bolt GB/T5783 M8x25-12.9-Longzine		20
10	YM40020003200	Blower 4"120E130 380V-4T5V/50/60HZ/350W/420W	Assembly	1
9	SHD-300E-A-01	Storage hopper body	Assembly	1
8	YW65006000100	Standard spring washer GB/T93 6-Longzine		8
7	YW66061300000	Flat washer A grade GB/T93 1 6-Longzine		8
6	YW60061200000	Hex bolt GB/T5783 M6x12-12.9-Longzine		8
5	YW00121000000	Handle SEHD-25-A-08 (ver.0)(has mould)	Assembly	4
4	YW62061000000	Large cross recessed flat head screw J51111 M6x10-Longzine		16
3	BL01121400120	Handle hook SHD-12E-A-16 (drawing ver.0)	SUS201	4
2	YW63061500000	Cross recessed pan head screw GB/T-818 M6x15-Longzine		4
1	YW20020001800	Exhaust air pipe SHD-200E-A-04 (ver.0)Longfeng	AC4B	1

4.9	YE67002100000	Cable head PG21		1
4.8	BL50021000120	Wire fixture fixed plate PG21 SG-S-01 (has mould)	SPCC2.0	1
4.7	YR20861000100	Sealing silicone strip 8x6100/200/400 (Longfeng)	White silica gel	2.34M

标记	更改前	更改后	更改人	日期	制图	版号	标题	图号	比例	1:16	数量	备注
					设计	核准	SHD-300E 料斗干燥机					材质
					校对		<b>信易电热机械股份有限公司</b> <b>Shini Plastics Technologies, Inc.</b>					表面要求
					审核			物料号				
					日期	日期						

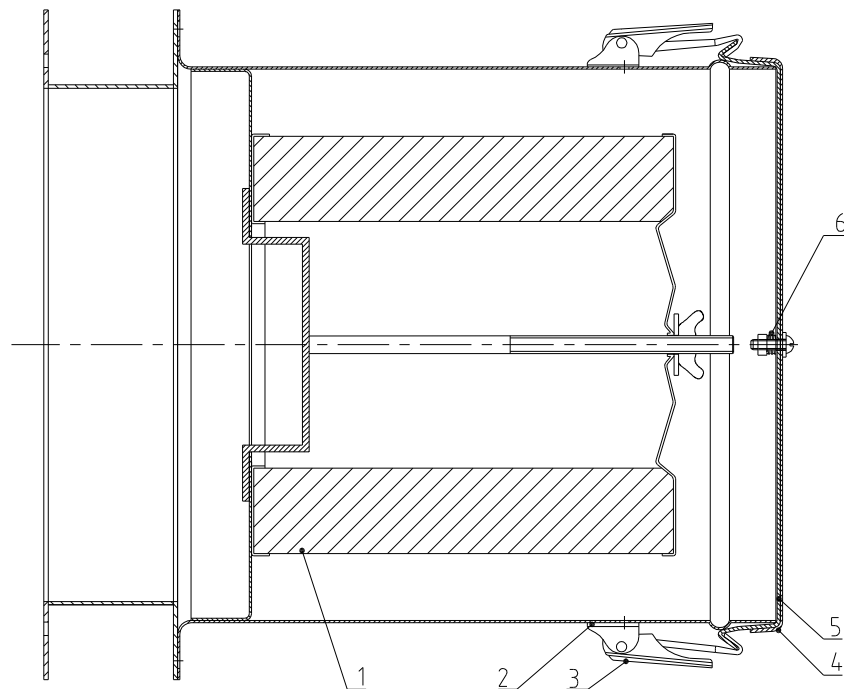




9	YW02003000400	Adjustable snap hook SAL-6U-A-35(ver.c)		3	
8	BA10020000210	Exhaust air pipe SEHD-200-A-14(200/1000)(ver.0)(painted)(has mould)		1	
7	BL90000300120	Adaptor flange ADC-3EB-A-01(ver.0)		1	
6	YR10204000000	Exhaust air pipe fastener SEHD-200-A-15(ver.0) rubber (has mould)		2	
5	YR50241400100	Filter ADC3 fastener rubber (SMD-2000H-A-ALL-11) ver.B		1	
4	YE66515800000	PVC hose 2" inner dia. 50mm x 0.8mm		1	
3	YW02002500000	Stainless steel pipe clamp 2.5"(40-64mm)		2	
2	YR40012500000	Plastic connector 1.25"		1	
1	YR40000000100	Bottom plug ADC-1-A-05 ver.0 (has mould)		1	
序号	代号	名称	材质	数量	备注

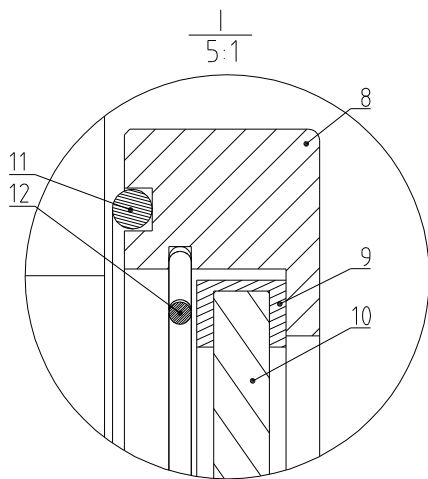
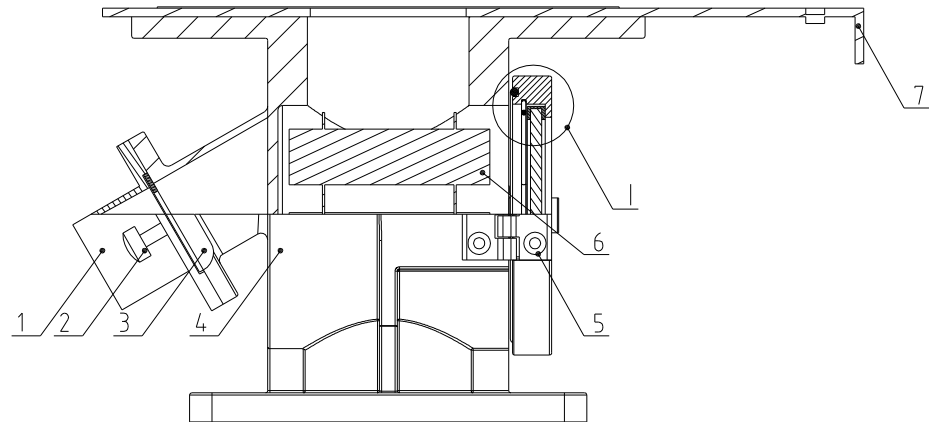
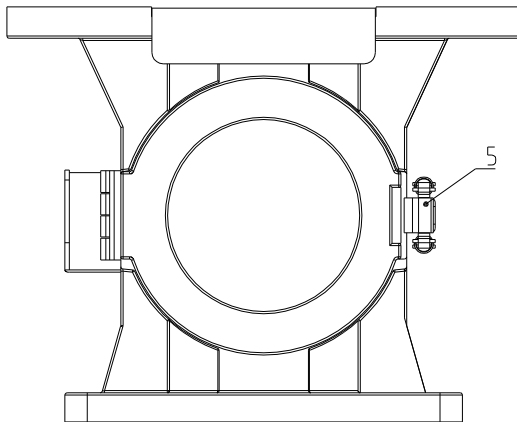
					制图		版号		标题	ADC-3EB	图号	ADC-3EB-ALL	比例	1:10	数量	1
					设计		核准		排风空气滤清器					材质		
					校对				<b>SHINI</b> 信易電熱機械股份有限公司 Shini Plastics Technologies, Inc.			表面要求				
标记	更改前	更改后	更改人	日期	审核		日期			物料号						





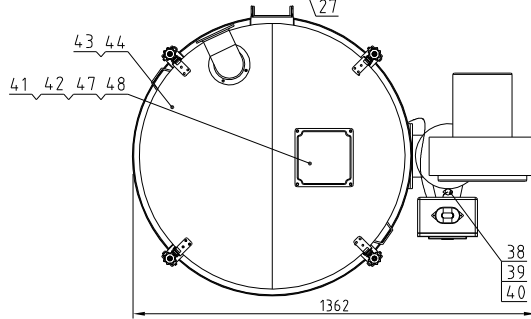
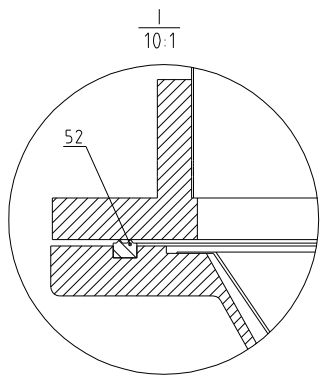
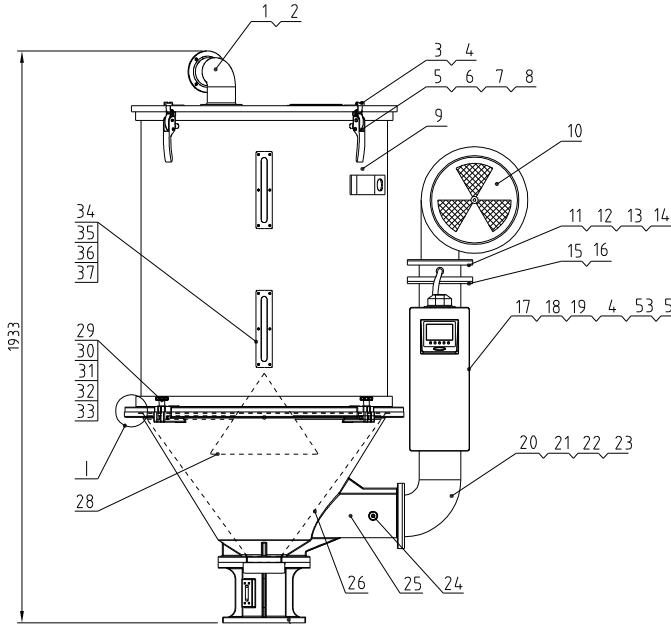
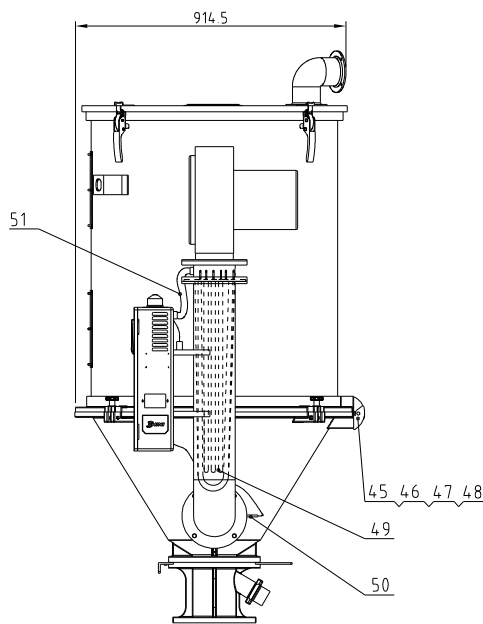
6	YW01126900000	Air cover spring (TB-3-A-10 Drawing No.)		1	
5	BL00000500420	Blower filter barrel cover 5"-01(HAR-5)(has mould)		1	
4	BL00000500320	Blower filter barrel air cover 5"-02(HAR-5)(has mould)		1	
3	YW02003000400	Adjustable snap hook SAL-6U-A-35(ver.c)		2	
2	YR40000600800	Adjustable snap hook pad SAL-6U(white)(has mould)		2	
1	YR50181900000	Filter HAR ext. 188xinner 114/88xH191		1	
序号	代号	名称	材料	数量	备注

					制图	版号	标题	图号	比例	1:3	数量	1
					设计	核准	AIF-200EB 风机入口过滤器	AIF-200EB-ALL		材质		
					校对		<b>信易電熱機械股份有限公司</b> <b>Shini Plastics Technologies, Inc.</b>		表面要求			
标记	更改前	更改后	更改人	日期	审核	日期			20200917	物料号		



12	YA10030406000	Magnetic base 304 clamp 200-400KG(Long Feng)		1	
11	YA10203006000	Magnetic base oil seal 200/300KG(Long Feng)		1	
10	YA10204006000	Magnetic base glass 200-400KG(Long Feng)		1	
9	YA10240006000	Magnetic base glass rubber ring 200-400KG(Long Feng)		1	
8	YA10020008000	Magnetic base alu. ring 200KG (L) (Long Feng)		1	
7	YW90020002900	Large drag plate HB-200EB-A-03(ver.01(w.14.0))Long Feng)		1	
6	BA90020008010	Magnetic frame 200 KG L (Long Feng)		1	
5	YW09254008000	Magnetic base hinge/lock 25-400KG(Long Feng)		1	
4	BW20020000710	Magnetic base 200KG(Long Feng) (painted)		1	
3	YW90020003000	Small drag plate HB-200EB-A-04(ver.01(w.6.0))		1	
2	YW69616100000	Manual screw M6×16×16		1	
1	YW20020001900	Discharge port HB-200EB-A-02(ver.A1)(Long Feng)		1	
序号	代号	名称	材质	数量	备注

					制图	版号	标题	图号	比例	1:3	数量	1
					设计	核准	MB-200EB 磁力底座	MB-200EB-ALL	表面要求 物料号			
					校对		<b>信易電熱機械股份有限公司</b> <b>Shini Plastics Technologies, Inc.</b>					
标记	更改前	更改后	更改人	日期	审核	日期			20200522			



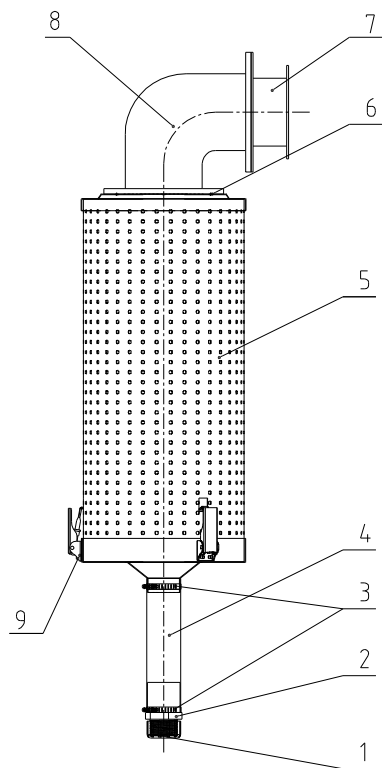
Blower Power	Pipe Heater Power	Hopper Capacity	Machine Version
50Hz:0.45kW	60Hz:0.52kW	18kW	400kg
			Ver.C

46	YW60082500100	Hex bolt GB/T5783 M8x25-12.9-Longzine		8
45	YW90204.003300	Hinge (large) SHD-600E-A-09 drawing ver 0 Longfeng	Assembly	1
44	YR1001004.0000	Cover fastener SHD-100 white silica gel (has mould)	White silica gel	2
43	YW9004.0002800	Hopper cover SHD-400E-A-05 (ver 0) Longfeng	SPCC18	1
42	YW60083000200	Hex bolt GB/T5783 M8x30-8.8-Longzine		4
41	BW09202000000	Square plate SEHD-100-A-09 (ver 0)(has mould)	SPCC1.0	1
40	YW64.000300100	Hex nut GB/T6170 M3-Longzine		2
39	YE50380000000	Umbrella screw M3x8(SUS304)		2
38	BE85018000350	Thermal protector K180 centgrade (wire 0.5M) (Thermal protection normally open)(has rubber sleeve)	Assembly	1
37	YW64.000500000	Hex nut M5 anti-loose		12
36	BW09000630040	Sight glass iron sheet six hole (chrome-plated) SEHD-12-A-16 (drawing ver 0)	SPCC2.0	2
35	YR4.0001200000	Acrylic six-hole SEHD-12-A-12 (ver 0) Mat. PC (has mould)	PC	2
34	YR4.0000600000	Sight glass iron sheet six hole (chrome-plated) SEHD-12-A-11 (drawing ver 0)	Rubber	2
33	YW66000600000	Ring opening GB/T896 6		4
32	YW90661003800	Horizontal pin 66100/200/400 (Longfeng) 100 pcs/bag		4
31	YW66103200000	Large washer A grade GB/T1561010 5x30x2.5 -Longzine		4
30	YW900124.00200	Star ring screw big 100/200/400 (Longfeng) 150set/case		4
29	YW900124.00100	Star ring nut big 100/200/400 (Longfeng) 150 set/case		4
28	BL014.00700220	Upper screen SHD-400E-A-07 drawing ver 0	SUS201	1
27	BY1004.0000850	Base assembly SHB-400EB (Long Feng)	Assembly	1
26	YL0104.0000200	Lower screen assembly SHD-400E-A-06 drawing ver 0 Longfeng	SUS201	1
25	YW2004.0001500	Hopper SHD-400E-A-03 drawing ver 0 Longfeng	AC4B	1
24	YW80010200100	Plug 1/4		1
23	YW65012000000	Standard spring washer GB/T93 12-Longzine		4
22	YW66024.130000	Large washer A grade GB/T1911 10135x24x2.5 -Longzine		4
21	YW60124500000	Hex bolt GB/T5783 M12x45-8.8-Longzine		4
20	YW204.00001700	Hot air pipe SHD-400E-A-04 drawing version 0 Longfeng	welding parts	1
19	YW6704.0600600	Cross recessed pan head self-tapping set screw GB6560 M4x6-Longzine		4
18	YW67051000700	Cross recessed pan head self-tapping set screw GB6560 M5x10-Longzine		4
17	BL01500001020	Control box short box SHD-500E-A-03 drawing ver 0	welding parts	1
16	YW66102000100	Flat washer A grade GB/T191 10111x20x21-Longzine		4
15	YW61103000100	Inner hex column head screw GB/T170 1M8x30-12.9-Longzine		4
14	YW66102500000	Flat washer 10x25x1.5-Longzine		4
13	YW65010000000	Standard spring washer GB/T93 10-Longzine		8
12	YW61102500000	Inner hex column head screw GB/T170 1M10x25-12.9-Longzine		4
11	YW2004.0000900	Blower mount flange SHD-400E-A-02 drawing ver 0 Longfeng	AC4B	1
10	YM4.0534.001700	Blower S1(400E)30-380V-4.5V/50/60HZ/350W/420W	Assembly	1
9	SHD-400E-A-08	Storage hopper body	Assembly	1
8	YW66061300000	Flat washer A grade GB/T191 16-Longzine		8
7	YW65006000100	Standard spring washer GB/T93 6-Longzine		8
6	YW60061200000	Hex bolt GB/T5783 M6x12-12.9-Longzine		8
5	YW00121000000	Handle SEHD-25-A-08 (ver 0)(has mould)	Assembly	4
4	YW62061000000	Large cross recessed flat head screw J5111 M6x10-Longzine		16
3	BL011214.00120	Handle hook SHD-12E-A-14 (drawing ver 0)	SUS201	4
2	YW63061500000	Cross recessed pan head screw GB/T-818 M6x15-Longzine		4
1	YW20020001800	Exhaust air pipe SHD-200E-A-04 (ver 0)Longfeng	AC4B	1

54	YE67002100000	Cable head PG21		1
53	BL50021000120	Wire fixture fixed plate PG21 SG-S-01 (has mould)	SPCC2.0	1
52	YR20861000100	Sealing silicone strip 8*6(100/200/400) (Longfeng)	White silica gel	2.8M
51	YE60162800100	High-grade plastic coated metal hose (16/20/25-1.3mm) Two ends are connected with zinc alloy outer wire M20x15	Assembly	1
50	YE90059301300	Thermocouple S*33L*M8-2M pipetSHD-600E-A-55 ver 0	Assembly	1
49	BH704.01800050	Pipe heater SHD-400E-B-01 drawing ver 0-18KW/30-400	Assembly	1
48	YW66081600000	Flat washer A grade GB/T191 18x16x1.6Longzine		12
47	YW65008000100	Standard spring washer GB/T93 8-Longzine		12

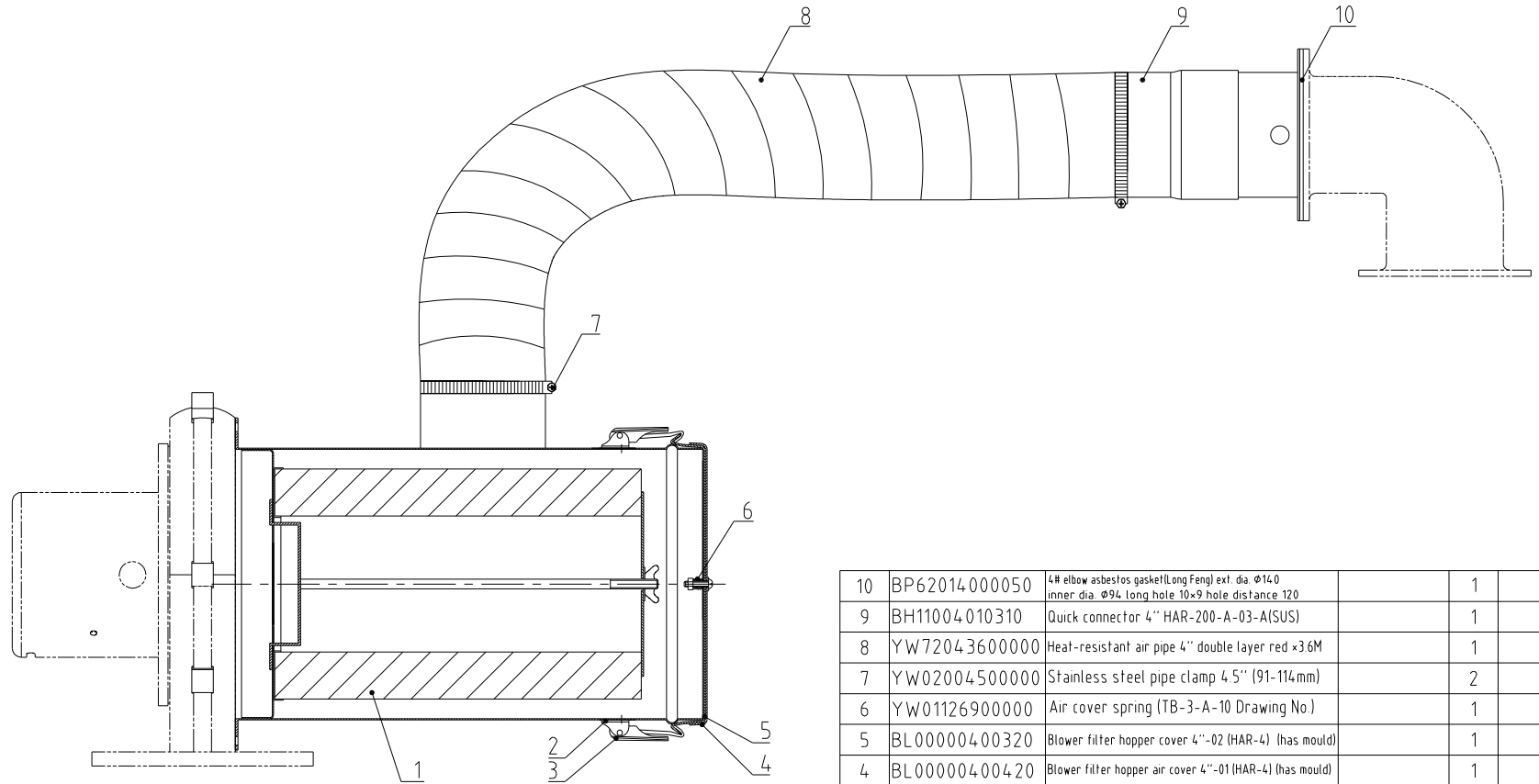
制图	版号	标题	SHD-400E	图号	比例	1:16	数量	
设计	核准	料斗干燥机						材质
校对								表面要求
标记	更改前	更改后	更改人	日期	审核	日期		物料号





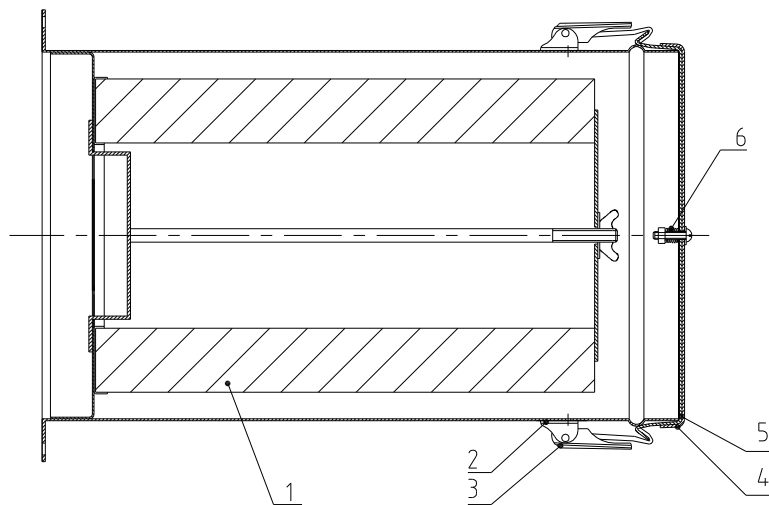
9	YW02003000400	Adjustable snap hook SAL-6U-A-35(ver.c)		3	
8	BA10020000210	Exhaust air pipe SEHD-200-A-14(200/1000(ver.0)(has mould)		1	
7	BL90000300120	Adaptor flange ADC-3EB-A-01(ver.0)		1	
6	YR10204000000	Exhaust air pipe fastener SEHD-200-A-15(ver.0) rubber (has mould)		2	
5	YR50241400100	Filter ADC3 fastener rubber (SMD-2000H-A-ALL-11) ver.B		1	
4	YE66515800000	PVC hose 2" inner dia. 50mm×0.8mm		1	
3	YW02002500000	Stainless steel pipe clamp 2.5"(40-64mm)		2	
2	YR40012500000	Plastic connector 1.25"		1	
1	YR40000000100	Bottom plug ADC-1-A-05 ver.0 (has mould)		1	
序号	代号	名称	材质	数量	备注

					制图	版号	标题	图号	比例	1:10	数量	1
					设计	核准	排风空气滤清器	ADC-3EB-ALL		材质		
				校对								
标记	更改前	更改后	更改人	日期	审核	日期	信易電熱機械股份有限公司 Shini Plastics Technologies, Inc.			物料号		



10	BP62014000050	4# elbow asbestos gasket(Long Feng) ext. dia. $\phi$ 140 inner dia. $\phi$ 94 long hole 10x9 hole distance 120		1	
9	BH11004010310	Quick connector 4" HAR-200-A-03-A(SUS)		1	
8	YW72043600000	Heat-resistant air pipe 4" double layer red x3.6M		1	
7	YW02004500000	Stainless steel pipe clamp 4.5" (91-114mm)		2	
6	YW01126900000	Air cover spring (TB-3-A-10 Drawing No.)		1	
5	BL00000400320	Blower filter hopper cover 4"-02 (HAR-4) (has mould)		1	
4	BL00000400420	Blower filter hopper air cover 4"-01 (HAR-4) (has mould)		1	
3	YW02003000400	Adjustable snap hook SAL-6U-A-35(ver.c)		2	
2	YR40000600800	Adjustable snap hook pad SAL-6U(white)(has mould)		2	
1	YR50181100000	Filter ADC2 fastener rubber (SMO-1000H-A-ALL-09)ver.0		1	
序号	代号	名称	材料	数量	备注

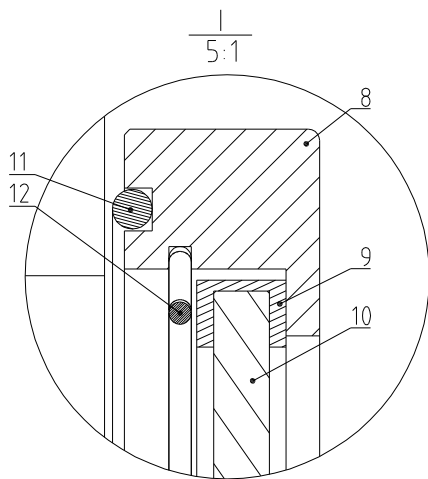
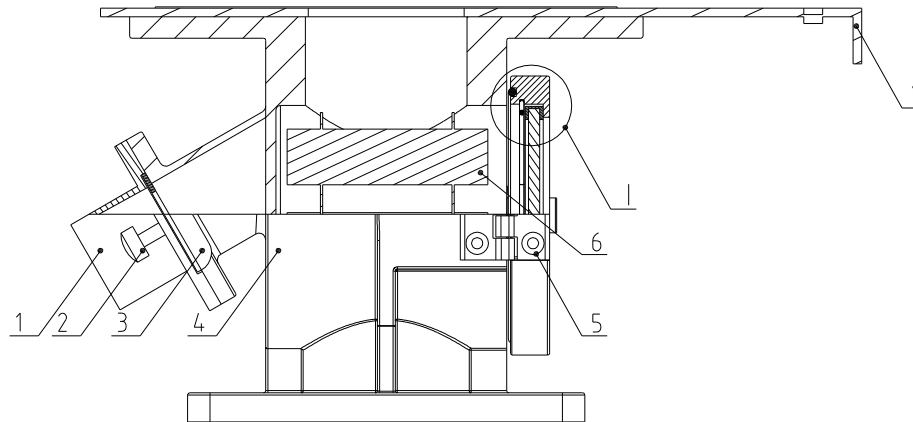
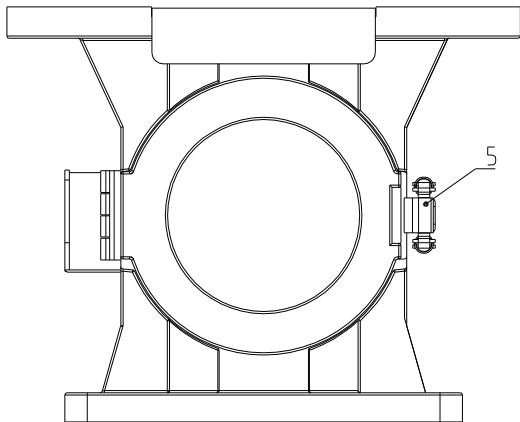
					制图	版号	标题	图号	比例	1:5	数量	1
					设计	核准	HAR-400EB	HAR-400EB-ALL		表面要求 物料号		
					校对	核准	热风回收器					
标记	更改前	更改后	更改人	日期	审核	日期	20200924	<b>信易電熱機械股份有限公司</b> <b>Shini Plastics Technologies, Inc.</b>				



6	YW01126900000	Air cover spring (TB-3-A-10 Drawing No.)		1	
5	BL00000400420	Blower filter barrel air cover 4"-02(HAR-4)(has mould)		1	
4	BL00000400420	Blower filter barrel cover 4"-01(HAR-4)(has mould)		1	
3	YW02003000400	Adjustable snap hook SAL-6U-A-35(ver.c)		2	
2	YR40000600800	Adjustable snap hook pad SAL-6U(white)(has mould)		2	
1	YR50181100000	Filter ADC2 fastener rubber (SMD-1000H-A-ALL-09) ver.0		1	
序号	代号	名称	材料	数量	备注

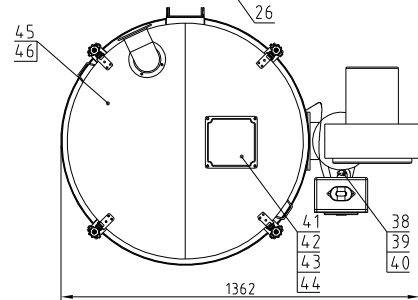
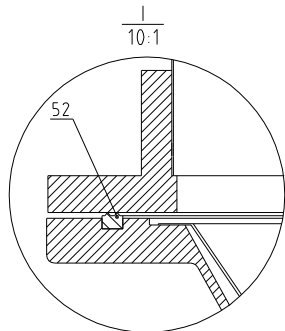
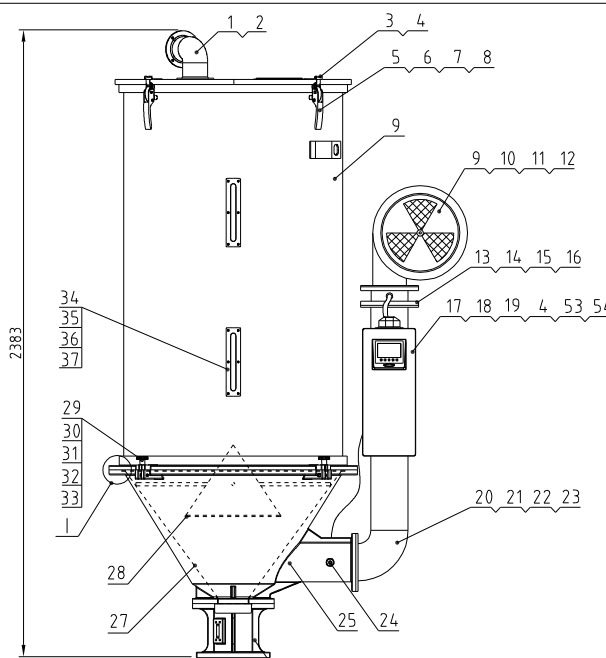
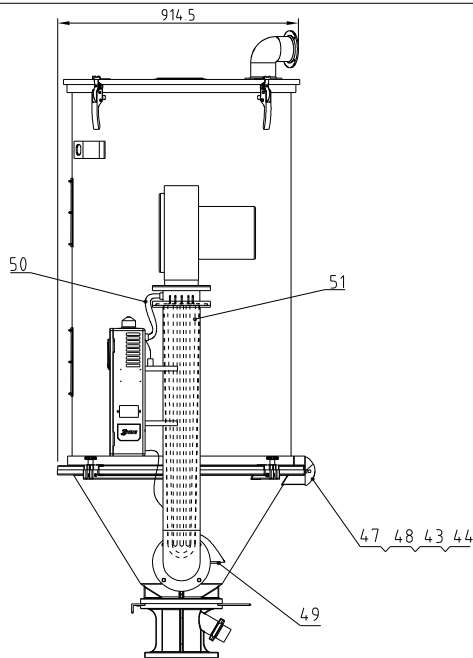
					制图	版号	标题	图号	比例	1:4	数量	1
					设计	核准	AIF-400EB 风机入口过滤器	AIF-400EB-ALL		材质		
				校对			<b>信易電熱機械股份有限公司</b> <b>Shini Plastics Technologies, Inc.</b>	表面要求				
标记	更改前	更改后	更改人	日期	审核	日期		20200924		物料号		





12	YA10030406000	Magnetic base 304 clamp 200-400KG(Long Feng)		1	
11	YA10040006000	Magnetic base oil seal 400KG(Long Feng)		1	
10	YA10204006000	Magnetic base glass 200-400KG(Long Feng)		1	
9	YA10240006000	Magnetic base glass rubber ring 200-400KG(Long Feng)		1	
8	YA10040008000	Magnetic base alu. ring 400KG (Long Feng)		1	
7	YW90020002900	Large drag plate HB-200EB-A-03(ver.0)l(w.14.0)Long Feng)		1	
6	BA90040008010	Magnetic frame 400 KGL (Long Feng)		1	
5	YW09254008000	Magnetic base hinge/lock 25-400KG(Long Feng)		1	
4	BW20040000810	Magnetic base 400KG(Long Feng) (painted)		1	
3	YW90020003000	Small drag plate HB-200EB-A-04(ver.0)l(w.6.0)		1	
2	YW69616100000	Manual screw M6×16×16		1	
1	YW20020001900	Discharge port HB-200EB-A-02(ver.A)l(Long Feng)		1	
序号	代号	名称	材质	数量	备注

					制图	版号	标题	图号	比例	1:3	数量	1
					设计	核准	MB-400EB 磁力底座	MB-400EB-ALL	表面要求 物料号			
					校对		<b>信易電熱機械股份有限公司</b> <b>Shini Plastics Technologies, Inc.</b>					
标记	更改前	更改后	更改人	日期	审核	日期			20200522			



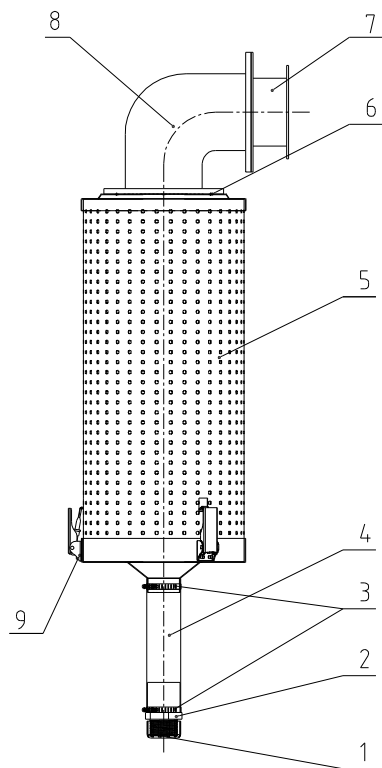
54	YE67002100000	Cable head PG21		1	
53	BL50021000120	Wire fixture fixed plate PG21 SG-5-01 (has mould)	SPCC2.0	1	
52	YR20861000100	Sealing silicone strip 8x6100/200/L001 (Longfeng)	White silica gel	2.81M	
51	BH70503800050	Pipe heater SHD-500-19 SKW3 0 400V	Assembly	1	
50	YE60162800100	High-grade plastic coated metal hose Φ1220x12mm Two ends are connected with zinc alloy outer wire M20x15	Assembly	1	
49	YE90059301300	Thermocouple S-93L-M8-2M paper SHD-6000-A-55 ver 01	Assembly	1	
48	YW60082500100	Hex. bolt GB/T5783 M8x25-12.9-Longzine		8	
47	YW90204003300	Hinge (large) SHD-600E-A-09 drawing ver 0 Longfeng	Assembly	1	

Blower Power	Pipe Heater Power	Hopper Capacity	Machine Version
50Hz:0.45kW	60Hz:0.52kW	19.5kW	500kg
			Ver B

46	YR10010040000	Cover fastener SHD-100 white silica gel (has mould)	White silica gel	2	
45	YW90040002800	Hopper cover SHD-400E-A-05 (ver 0) Longfeng	SPCC1.8	1	
44	YW66081600000	Large washer A grade GB/T97.18 4-16-161		12	
43	YW65008000100	Standard spring washer GB/T93 8-Longzine		12	
42	YW60083000200	Hex. bolt GB/T5783 M8x30-8.8-Longzine		4	
41	BW09202000000	Square plate SEHD-100-A-09 (ver 0)(has mould)	SPCC1.0	1	
40	YW64000300100	Hex. nut GB/T6170 M3-Longzine		2	
39	YE50380000000	Umbrella screw M3x8(SUS304)		2	
38	BE85018000350	Thermal protector K189 centrifuge (type 0.5M) (Thermal protection normally open)(has rubber sleeve)	Assembly	1	
37	YW64000500000	Hex nut M5 anti-loose		12	
36	BW09000630040	Sight glass iron sheet six hole (chrome-plated) SEHD-12-A-16 (drawing ver 0)	SPCC2.0	2	
35	YR40001200000	Acrylic six-hole SEHD-12-A-12 (ver 0) Mat. PC (has mould)	PC	2	
34	YR40000600000	Sight glass iron sheet six hole (chrome-plated) SEHD-12-A-11 (drawing ver 0)	Rubber	2	
33	YW66000600000	Ring opening GB/T896 6		4	
32	YW90661003800	Horizontal pin 66100/200/L001 (Longfeng) 100 pcs/bag	Q235	4	
31	YW66103200000	Large washer A grade GB/T96 1010 5x30x251 -Longzine		4	
30	YW90012400200	Star ring screw big 100/200/L00 (Longfeng) 150set/case	Q235	4	
29	YW90012400100	Star ring nut big 100/200/L00 (Longfeng) 150 set/case	hr steel	4	
28	BL01400700220	Upper screen SHD-400E-A-07 drawing ver 0	SUS201	1	
27	YL01040000200	Lower screen SHD-400E-A-06 drawing ver 0	SUS201	1	
26	BY10040000850	Base assembly SHB-400EB (Long Feng)	Assembly	1	
25	YW20040001500	Hopper SHD-400E-A-03 drawing ver 0 Longfeng	AC4B	1	
24	YW80010200100	Plug 1/4		1	
23	YW65012000000	Standard spring washer GB/T93 12-Longzine		4	
22	YW66024130000	Large washer A grade GB/T97.1 1010 5x24x251 -Longzine		4	
21	YW60123500000	Hex. bolt GB/T5783 M12x35-8.8-Longzine		4	
20	YW20050000100	Hot air pipe SHD-500E-A-02(0)(Longfeng)	welding parts	1	
19	YW67040600600	Cross recessed pan head self-tapping set screw GB6500 M4x6-Longzine		4	
18	YW67051000700	Cross recessed pan head self-tapping set screw GB6500 M5x10-Longzine		4	
17	BL01500001020	Control box long box SHD-500E-A-03 drawing ver 0	welding parts	1	
16	YW66102000100	Flat washer A grade GB/T97 11011x20x21-Longzine		4	
15	YW61103000100	Inner hex. column head screw GB/T70 1 M10x30-12.9-Longzine		4	
14	YW20040000900	Blower mount flange SHD-400E-A-02 drawing ver 0 Longfeng	AC4B	1	
13	YW65010000000	Standard spring washer GB/T93 10-Longzine		8	
12	YW66102500000	Flat washer 10x25x15-Longzine		4	
11	YW61102500000	Inner hex. column head screw GB/T70 1 M10x25-12.9-Longzine		4	
10	YM40534001700	Blower S1(400E) 380V-4.5V/50/60HZ/4.50W/L20W	Assembly	1	
9	SHD-500E-A-01	Storage hopper body	Assembly	1	
8	YW66061300000	Flat washer A grade GB/T97 1 6-Longzine		8	
7	YW65006000100	Standard spring washer GB/T93 6-Longzine		8	
6	YW60061200000	Hex bolt GB/T5783 M6x12-12.9-Longzine		8	
5	YW00121000000	Handle SEHD-25-A-08 (ver 0)(has mould)	Assembly	4	
4	BL01121400120	Handle hook SHD-12E-A-14 (drawing ver 0)	SUS201	4	
3	YW62061000000	Large cross recessed flat head screw JIS1111 M6x10-Longzine		16	
2	YW63061500000	Cross recessed pan head screw GB/T-818 M6x15-Longzine		4	
1	YW20020001800	Exhaust air pipe SHD-200E-A-04 (ver 0)(Longfeng)	AC4B	1	

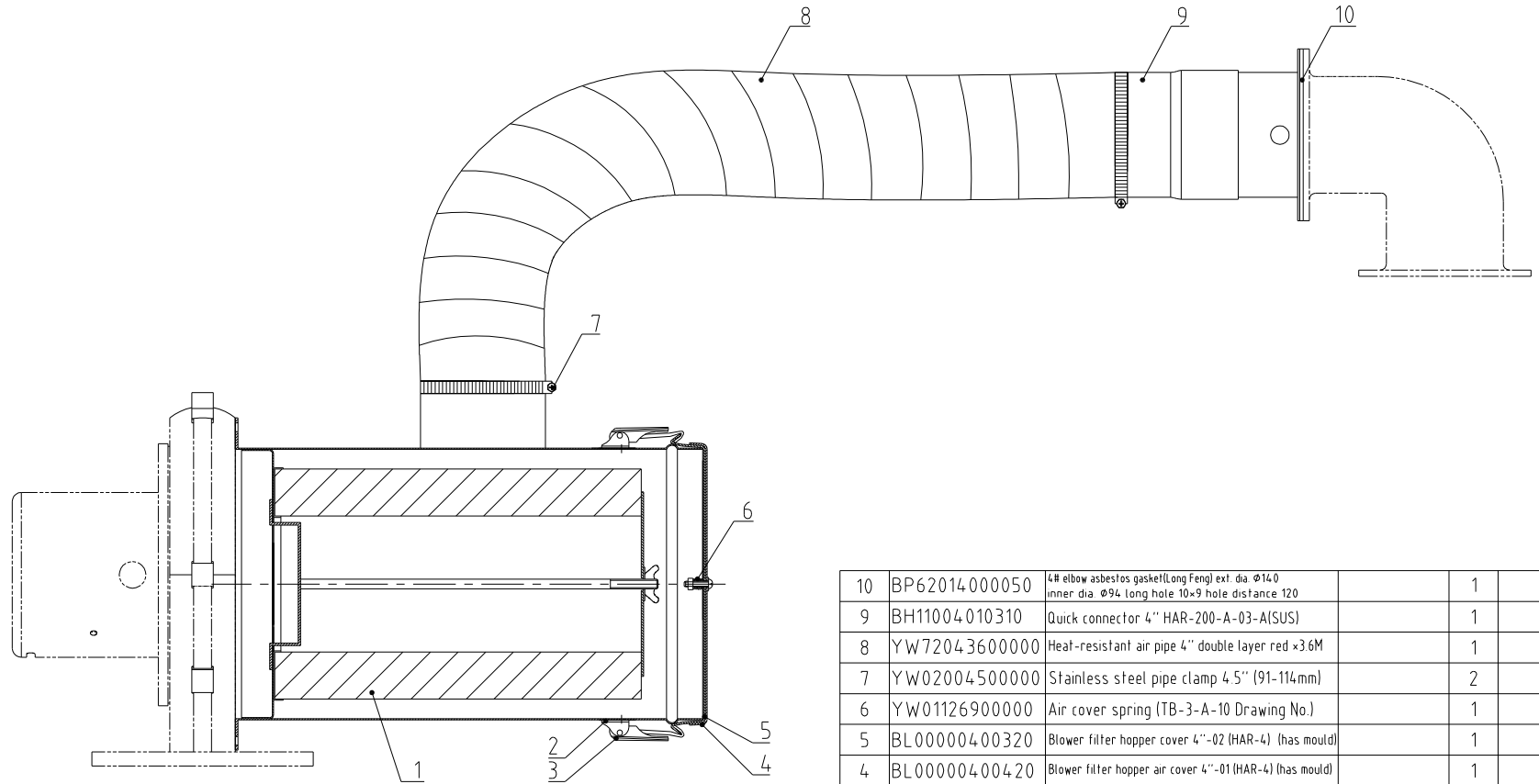
制图	版号					
设计	核准					
校对	日期					
审核	日期					
标记	更改前	更改后	更改人	日期	审核	日期

标题	SHD-500E 料斗干燥机	图号	比例	1:18	数量	1
SHINI 信易电热机械股份有限公司 Shini Plastics Technologies, Inc.			表面要求			
			物料号			



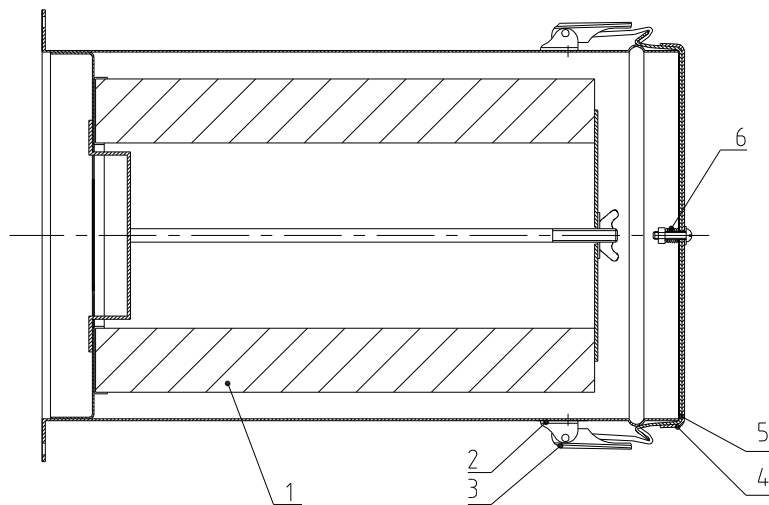
9	YW02003000400	Adjustable snap hook SAL-6U-A-35(ver.c)		3	
8	BA10020000210	Exhaust air pipe SEHD-200-A-14(200/1000I(ver.0)(painted)(has mould)		1	
7	BL90000300120	Adaptor flange ADC-3EB-A-01(ver.0)		1	
6	YR10204000000	Exhaust air pipe fastener SEHD-200-A-15(ver.0) rubber (has mould)		2	
5	YR50241400100	Filter ADC3 fastener rubber (SMD-2000H-A-ALL-11) ver.B		1	
4	YE66515800000	PVC hose 2" inner dia. 50mm×0.8mm		1	
3	YW02002500000	Stainless steel pipe clamp 2.5"(40-64mm)		2	
2	YR40012500000	Plastic connector 1.25"		1	
1	YR40000000100	Bottom plug ADC-1-A-05 ver.0 (has mould)		1	
序号	代号	名称	材质	数量	备注

					制图	版号	标题	图号	比例	1:10	数量	1
					设计	核准	排风空气滤清器	ADC-3EB-ALL		材质		
				校对								
标记	更改前	更改后	更改人	日期	审核	日期	信易電熱機械股份有限公司 Shini Plastics Technologies, Inc.			物料号		



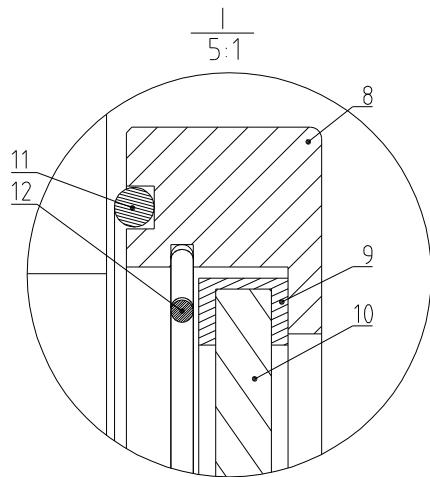
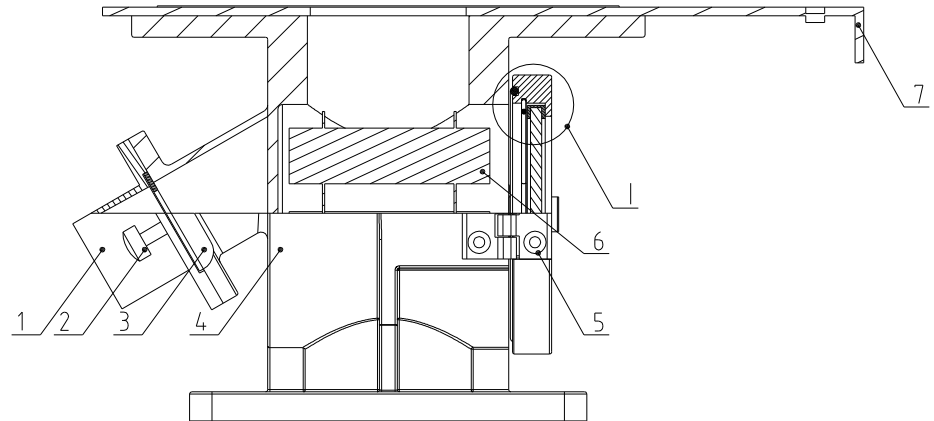
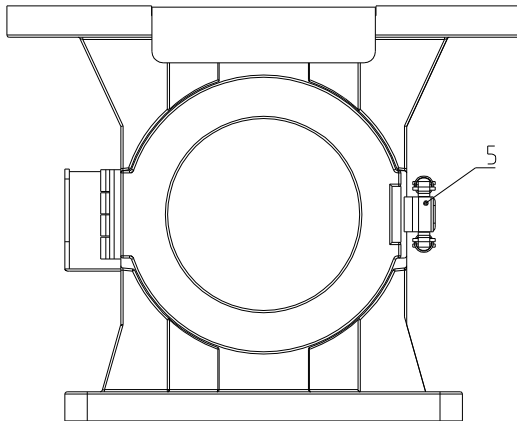
10	BP62014000050	4# elbow asbestos gasket(Long Feng) ext. dia. $\Phi$ 140 inner dia. $\Phi$ 94 long hole 10x9 hole distance 120		1	
9	BH11004010310	Quick connector 4" HAR-200-A-03-A(SUS)		1	
8	YW72043600000	Heat-resistant air pipe 4" double layer red x3.6M		1	
7	YW02004500000	Stainless steel pipe clamp 4.5" (91-114mm)		2	
6	YW01126900000	Air cover spring (TB-3-A-10 Drawing No.)		1	
5	BL00000400320	Blower filter hopper cover 4"-02 (HAR-4) (has mould)		1	
4	BL00000400420	Blower filter hopper air cover 4"-01 (HAR-4) (has mould)		1	
3	YW02003000400	Adjustable snap hook SAL-6U-A-35(ver.c)		2	
2	YR40000600800	Adjustable snap hook pad SAL-6U(white)(has mould)		2	
1	YR50181100000	Filter ADC2 fastener rubber (SMD-1000H-A-ALL-09)ver.0		1	
序号	代号	名称	材料	数量	备注

					制图	版号	标题	图号	比例	1:5	数量	1
					设计	核准	HAR-400EB	HAR-400EB-ALL		表面要求 物料号		
					校对		热风回收器					
标记	更改前	更改后	更改人	日期	审核	日期	20200924	<b>信易电热机械股份有限公司</b> <b>Shini Plastics Technologies, Inc.</b>				



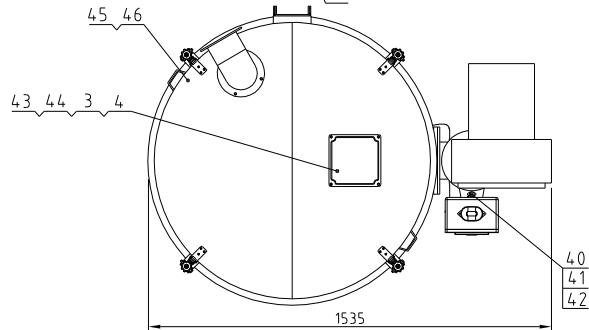
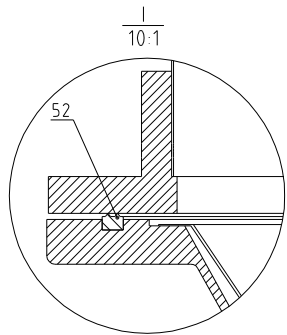
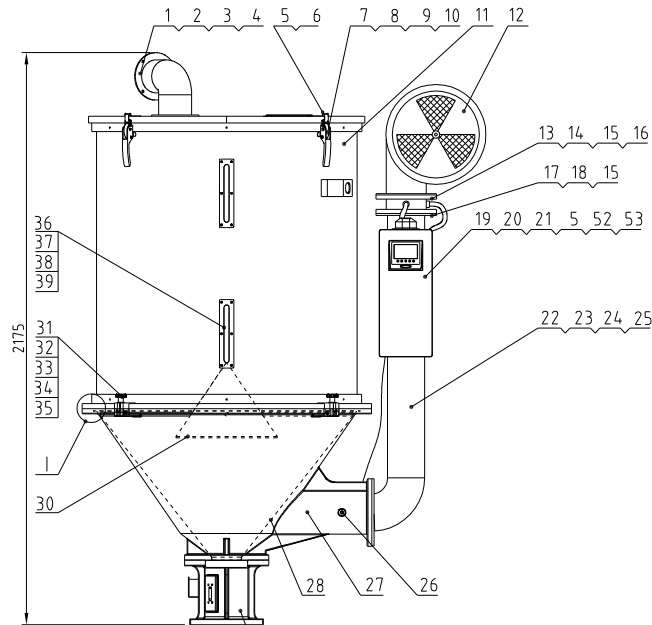
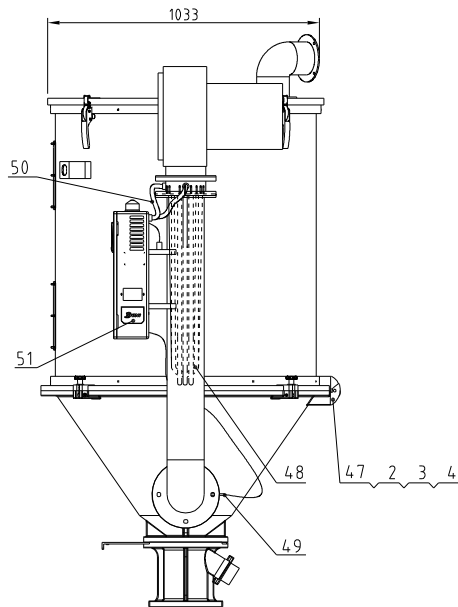
6	YW01126900000	Air cover spring (TB-3-A-10 Drawing No.)		1	
5	BL00000400420	Blower filter barrel air cover 4"-02(HAR-4)(has mould)		1	
4	BL00000400420	Blower filter barrel cover 4"-01(HAR-4)(has mould)		1	
3	YW02003000400	Adjustable snap hook SAL-6U-A-35(ver.c)		2	
2	YR40000600800	Adjustable snap hook pad SAL-6U(white)(has mould)		2	
1	YR50181100000	Filter ADC2 fastener rubber (SMD-1000H-A-ALL-09) ver.0		1	
序号	代号	名称	材料	数量	备注

					制图		版号		标题	AIF-400EB	图号	AIF-400EB-ALL	比例	1:4	数量	1
					设计		核准			风机入口过滤器					材质	
					校对					信易電熱機械股份有限公司 Shini Plastics Technologies, Inc.			表面要求			
标记	更改前	更改后	更改人	日期	审核		日期	20200924							物料号	



12	YA10030406000	Magnetic base 304 clamp 200-400KG(Long Feng)		1	
11	YA10040006000	Magnetic base oil seal 400KG(Long Feng)		1	
10	YA10204006000	Magnetic base glass 200-400KG(Long Feng)		1	
9	YA10240006000	Magnetic base glass rubber ring 200-400KG(Long Feng)		1	
8	YA10040008000	Magnetic base alu. ring 400KG (Long Feng)		1	
7	YW90020002900	Large drag plate HB-200EB-A-03(ver.0)(w.14.0)(Long Feng)		1	
6	BA90040008010	Magnetic frame 400 KG L (Long Feng)		1	
5	YW09254008000	Magnetic base hinge/lock 25-400KG(Long Feng)		1	
4	BW20040000810	Magnetic base 400KG(Long Feng) (painted)		1	
3	YW90020003000	Small drag plate HB-200EB-A-04(ver.0)(w.60)		1	
2	YW69616100000	Manual screw M6×16×16		1	
1	YW20020001900	Discharge port HB-200EB-A-02(ver.A)(Long Feng)		1	
序号	代号	名称	材质	数量	备注

					制图	版号	标题	图号	比例	1:3	数量	1
					设计	核准	MB-400EB 磁力底座	MB-400EB-ALL		材质		
				校对	日期							
标记	更改前	更改后	更改人	日期	审核	日期	20200522	<b>信易電熱機械股份有限公司</b> <b>Shini Plastics Technologies, Inc.</b>		物料号		



53	YE67002900000	Cable head PG29		1
52	BL4.000294.0120	Wire fixture fixed plate PG29 SG-5-01 (has mould)	SPCC2.0	1
51	YR20861000100	Sealing silicone strip B=6100/200/4.00 (Longfeng)	White silica gel	3.5M
50	YE60162800100	High-grade plastic coated metal hose Φ120x1.2mm Two ends are connected with zinc alloy outer wire M2x15	Assembly	2
49	YE90059301300	Thermocouple 5x93L-M8-2M pipeTSHD-6000-A-55 ver.01	Assembly	1
48	BH70060000250	Pipe heater SHD-600E-B-01 drawing version 0-2KW/3ø/L00V	Assembly	1
47	YW90204.003300	Hinge (large) SHD-600E-A-09 drawing ver.0 Longfeng	Assembly	1

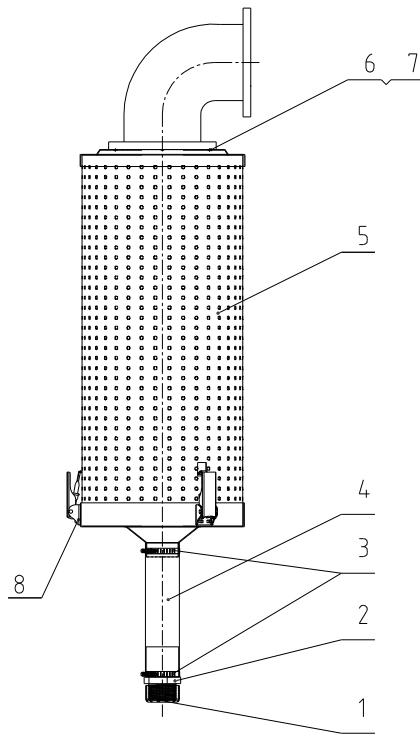
Blower Power	Pipe Heater Power	Hopper Capacity	Machine Version
50Hz:1.03kW	60Hz:1.23kW	21kW	600kg
			Ver.B

46	YR1001004.0000	Cover fastener SHD-100 white sital gel (has mould)	White silica gel	2
45	YW90060000100	Hopper cover SHD-600E-A-03 (ver.0) Longfeng		1
44	YW60083000200	Hex bolt GB/T5783 M8x30-8.8-Longzine		4
43	BW09202000000	Square plate SEHD-100-A-09 (ver.0) (has mould)	SPCC1.0	1
42	YW64.000300100	Hex nut GB/T6170 M3-Longzine		2
41	YE50380000000	Umbrella screw M3x8(SUS304)		2
40	BE85018000350	Thermal protector K180 centigrade (wire 0 SHD) (Thermal protection normally open/has rubber sleeve)		1
39	YW64.000500000	Hex nut M5 anti-loose		12
38	BW09000630040	Sight glass iron sheet six hole (chrome-plated) SEHD-12-A-16 (drawing ver.0)	SPCC2.0	2
37	YR4.00012000000	Acrylic six-hole SEHD-12-A-12 (ver.0) Mat: PS (has mould)	PC	2
36	YR4.00060000000	Sight glass iron sheet six hole (chrome-plated) SEHD-12-A-11 (drawing ver.0)	rubber	2
35	YW66000600000	Ring opening GB/T896 6		4
34	YW90661003800	Horizontal pin 66100/200/4.00 (Longfeng) 100 pcs/bag	Q235	4
33	YW66103200000	Large washer A grade GB/T96 10/10 5x30x2.5 -Longzine		4
32	YW900124.00200	Star ring screw big 100/200/4.00 (Longfeng) 150set/case	Q235	4
31	YW900124.00100	Star ring nut big 100/200/4.00 (Longfeng) 150 set/case	kirsite	4
30	BL016004.00120	Upper screen SHD-600E-A-04 drawing ver.0	SUS201	1
29	YL01600000300	Lower screen SHD-600E-A-05 drawing ver.0	SUS201	1
28	BY10060000850	Base assembly SHB-600E (Long Feng)	Assembly	1
27	YW20060000500	Hopper SHD-600E-A-06 drawing ver.0 Longfeng	AC4B	1
26	YW80010200100	Plug 1/4		1
25	YW6014.4500000	Hex bolt GB/T5783 M14x45-12.9-Longzine		4
24	YW6614.34.00000	Large washer A grade GB/T93 11213 5x24x2.5 -Longzine		4
23	YW65014.2000000	Standard spring washer GB/T93 14-Longzine		4
22	YW200600004.00	Hot air pipe SHD-600E-A-07(0) (Longfeng)	welding parts	1
21	YW67051000700	Cross recessed pan head self-tapping set screw GB6560 M5x10-Longzine		4
20	YW6704.0600600	Cross recessed pan head self-tapping set screw GB6560 M5x4-Longzine		4
19	BL01500001020	Control box long box SHD-500E-A-03 drawing ver.0	welding parts	1
18	YW66102000100	Flat washer A grade GB/T93 1 1011x20x21-Longzine		4
17	YW61103000100	Inner hex column head screw GB/T70 1M10x30-12.9- Longzine		4
16	YW66102500000	Flat washer 10x25x1.5-Longzine		4
15	YW65010000000	Standard spring washer GB/T93 10-Longzine		8
14	YW61102500000	Inner hex column head screw GB/T70 1M10x25-12.9- Longzine		4
13	YW20060000600	Blower adapter SHD-600E-A-08 drawing ver.0 Longfeng	AC4B	1
12	YM4.0633800100	Blower 6"1600E8130380V-L75V/50/60HM/1030/1230W	Assembly	1
11	SHD-600E-A-01	Storage hopper body	Assembly	1
10	YW66061300000	Flat washer A grade GB/T93 1 6-Longzine		8
9	YW65006000100	Standard spring washer GB/T93 6-Longzine		8
8	YW60061200000	Hex bolt GB/T5783 M6x12-12.9-Longzine		8
7	YW00121000000	Handle SEHD-25-A-08 (ver.0) (has mould)	Assembly	4
6	BL011214.00120	Handle hook SHD-12E-A-14 (drawing ver.0)	SUS201	4
5	YW62061000000	Large cross recessed flat head screw JIS1111 M6x10-Longzine		16
4	YW65008000100	Standard spring washer GB/T93 8-Longzine		12
3	YW66081600000	Flat washer A grade GB/T93 18 4x16x1.61-Longzine		12
2	YW66082500100	Hex bolt GB/T5783 M8x25-12.9-Longzine		12
1	YW20060000100	Exhaust air pipe SHD-600E-A-02 (ver.0) Longfeng	AC4B	1

序号	代号	名称	材料	数量	备注
		标题 SHD-600E 料斗干燥机	图号	比例 1:18	数量 1
				材质	
			表面要求		
			物料号		

**SHINI** 信易电热机械股份有限公司  
Shini Plastics Technologies, Inc.

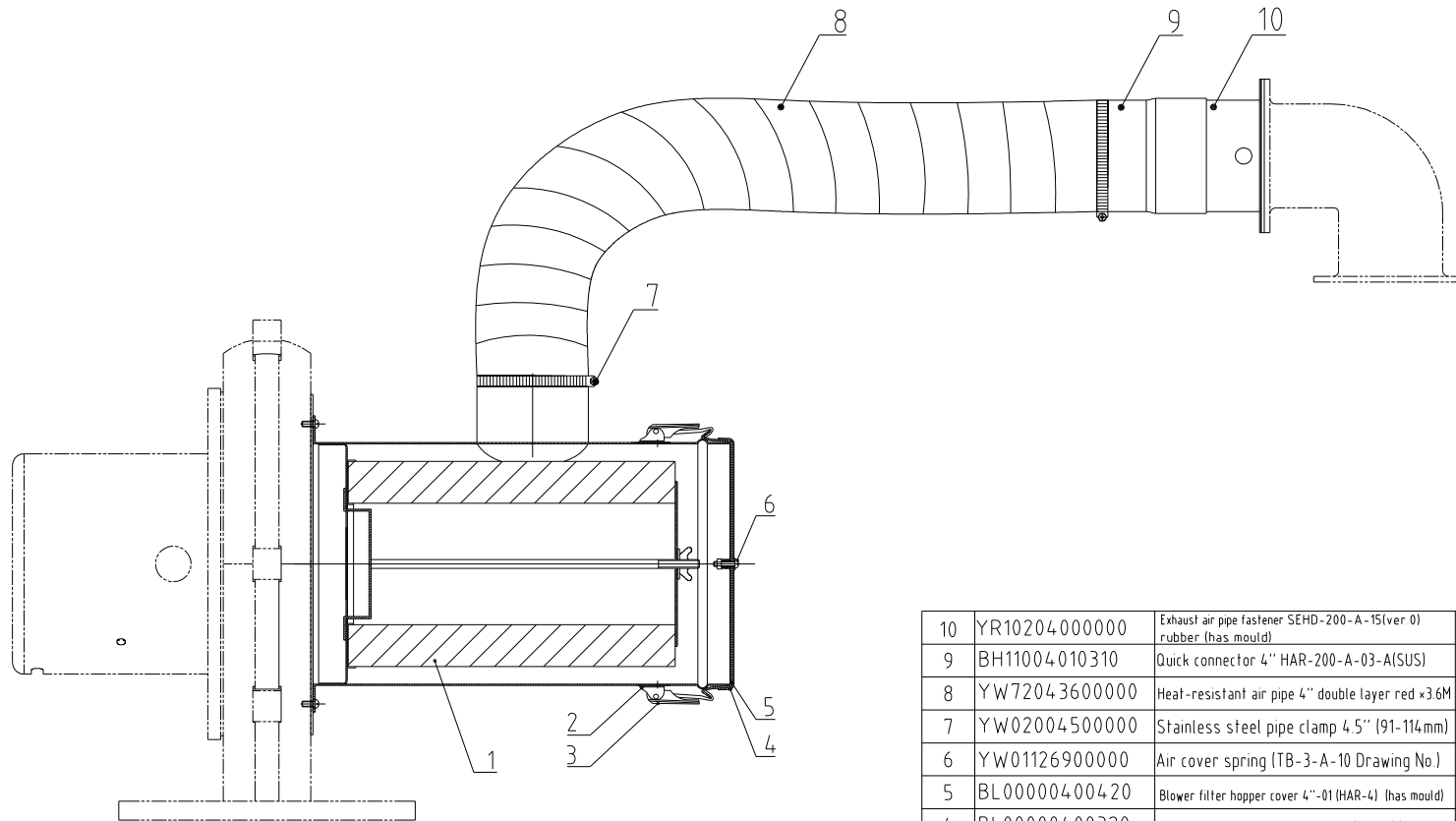
制图	版号	制图	版号
设计	核准	设计	核准
校对	日期	校对	日期
审核	日期	审核	日期
标记	更改前	更改后	更改人
	更改后	更改人	日期



8	YW02003000400	Adjustable snap hook SAL-6U-A-35(ver.c)		3	
7	BA10020000210	Exhaust air pipe SEHD-200-A-14(200/1000)(ver.0)(painted)(has mould)	ZL101	1	
6	YR10204000000	Exhaust air pipe fastener SHD-200/400	rubber	1	
5	YR50241400100	Filter ADC3 fastener rubber (SMD-2000H-A-ALL-11) ver.0	assembly	1	
4	YE66515800000	PVC hose 2"	PVC	1	L=200mm
3	YW02002500000	Stainless steel pipe clamp 2.5"	SUS201	2	
2	YR40012500000	Plastic connector 1.25"	assembly	1	
1	YR40000000100	Bottom plug ADC-1-A-05 ver.0 (has mould)	HCF	1	
序号	代号	名称	材质	数量	备注

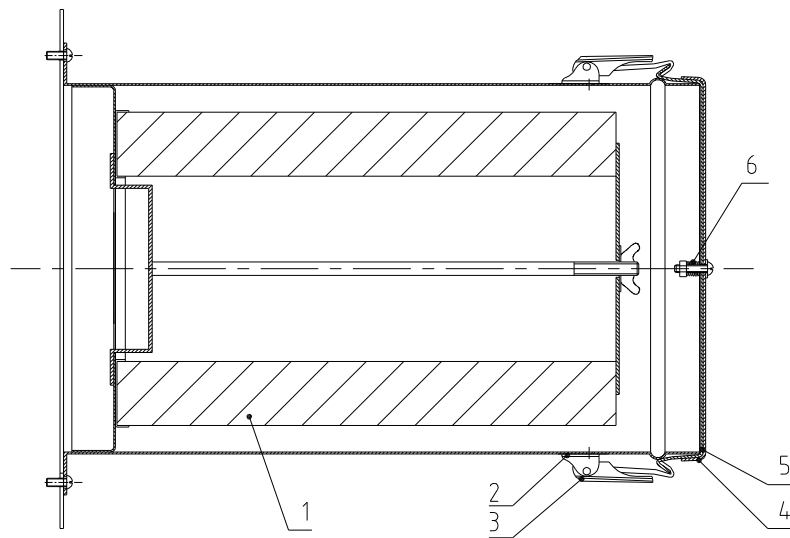
					制图	版号	标题	图号	比例	1:10	数量	1
					设计	核 准	ADC-3	ADC-3-ALL		材质		
				校对	排风空气滤清器							
标记	更改前	更改后	更改人	日期	审核	日期	信易电热机械股份有限公司 Shini Plastics Technologies, Inc.			表面要求		
						20090420				物料号		





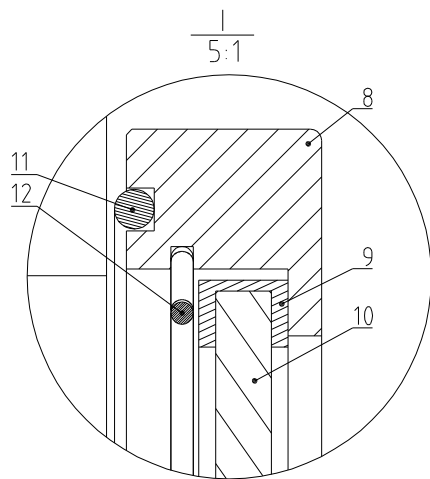
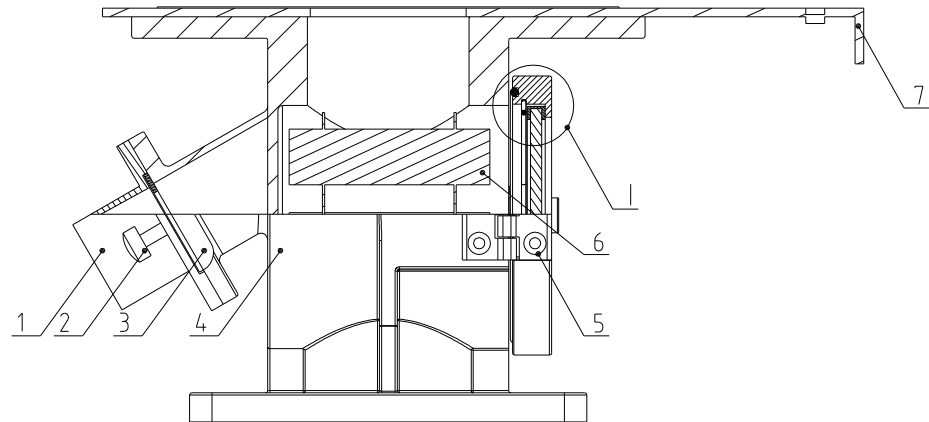
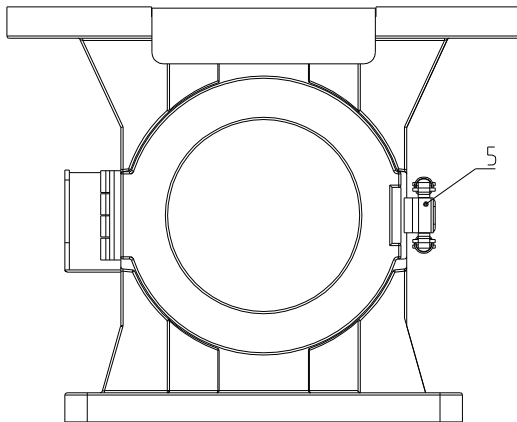
10	YR10204000000	Exhaust air pipe fastener SEHD-200-A-15(ver.0) rubber (has mould)		1	
9	BH11004010310	Quick connector 4" HAR-200-A-03-A(SUS)		1	
8	YW72043600000	Heat-resistant air pipe 4" double layer red x3.6M		1	
7	YW02004500000	Stainless steel pipe clamp 4.5" (91-114mm)		2	
6	YW01126900000	Air cover spring (TB-3-A-10 Drawing No.)		1	
5	BL00000400420	Blower filter hopper cover 4"-01(HAR-4) (has mould)		1	
4	BL00000400320	Blower filter hopper air cover 4"-01(HAR-4) (has mould)		1	
3	YW02003000400	Adjustable snap hook SAL-6U-A-35(ver.c)		2	
2	YR40000600800	Adjustable snap hook pad SAL-6U(white)(has mould)		2	
1	YR50181100000	Filter ADC2 fastener rubber (SMD-1000H-A-ALL-09)ver.0		1	
序号	代号	名称	材料	数量	备注

					制图	黄学明	版号		标题	HAR-600EB	图号	HAR-600EB-ALL	比例	1:6	数量	1
					设计	黄学明	核		热风回收器					材质		
					校对		准			信易电热机械股份有限公司		表面要求				
标记	更改前	更改后	更改人	日期	审核		日期	20200522		Shini Plastics Technologies, Inc.		物料号				



6	YW01126900000	Air cover spring (TB-3-A-10 Drawing No.)		1	
5	BL00000400420	Blower filter barrel cover 4"-01(HAR-4)(has mould)		1	
4	BL00000400420	Blower filter barrel air cover 4"-01(HAR-4)(has mould)		1	
3	YW02003000400	Adjustable snap hook SAL-6U-A-35(ver.c)		2	
2	YR40000600800	Adjustable snap hook pad SAL-6U(white)(has mould)		2	
1	YR50181100000	Filter ADC2 fastener rubber (SMD-1000H-A-ALL-09) ver.0		1	
序号	代号	名称	材料	数量	备注

					制图	版号	标题	图号	比例	1:4	数量	1
					设计	核准	AIF-600EB 风机入口过滤器	AIF-600EB-ALL		材质		
					校对		SHINI 信易電熱機械股份有限公司 Shini Plastics Technologies, Inc.	表面要求				
标记	更改前	更改后	更改人	日期	审核	日期		20210901		物料号		



12	YA10030406000	Magnetic base 304 clamp 200-400KG(Long Feng)		1	
11	YA10040006000	Magnetic base oil seal 400KG(Long Feng)		1	
10	YA10204006000	Magnetic base glass 200-400KG(Long Feng)		1	
9	YA10240006000	Magnetic base glass rubber ring 200-400KG(Long Feng)		1	
8	YA10040008000	Magnetic base alu. ring 400KG (Long Feng)		1	
7	YW90020002900	Large drag plate HB-200EB-A-03(ver.0)(w/14.0)(Long Feng)		1	
6	BA90040008010	Magnetic frame 400 KG L (Long Feng)		1	
5	YW09254008000	Magnetic base hinge/lock 25-400KG(Long Feng)		1	
4	YW20060000900	Magnetic base MB-600EB-A-01(Drawing ver.0) (Long Feng)		1	
3	YW90020003000	Small drag plate HB-200EB-A-04(ver.0)(W60)		1	
2	YW69616100000	Manual screw M6×16×16		1	
1	YW20020001900	Discharge port HB-200EB-A-02(ver. A)(Long Feng)		1	
序号	代号	名称	材质	数量	备注

					制图	版号	标题	图号	比例	1:3	数量	1
					设计	核准	MB-600EB	MB-600EB-ALL				
					校对		磁力底座					
标记	更改前	更改后	更改人	日期	审核	日期	20200522	<b>信易電熱機械股份有限公司</b> <b>Shini Plastics Technologies, Inc.</b>		表面要求		
									物料号			