

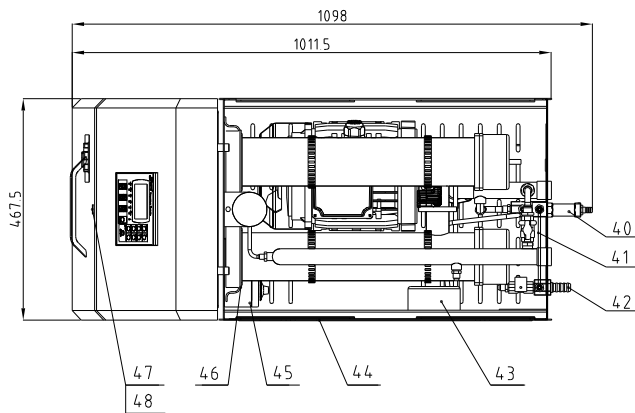
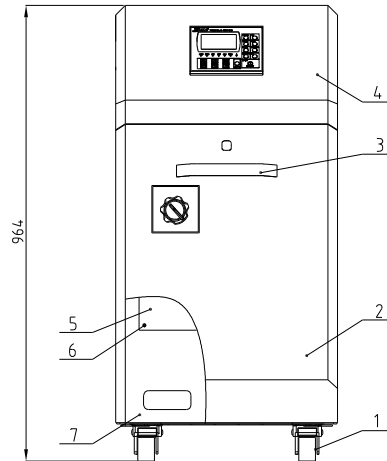
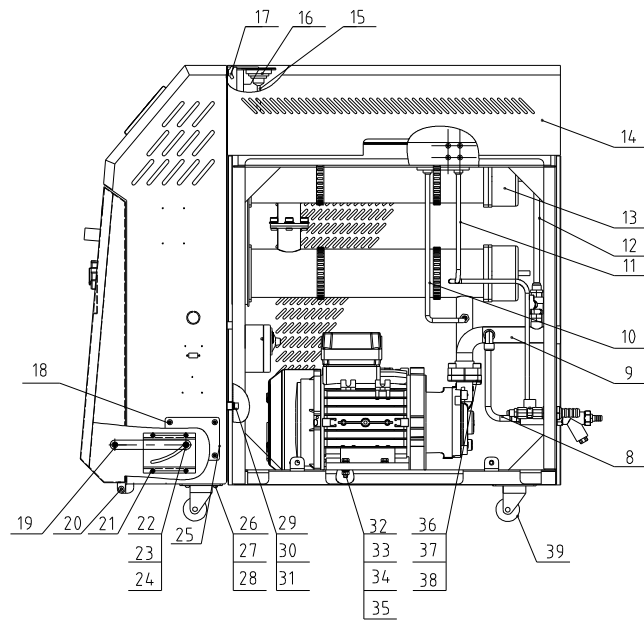
最高工作压力(bar) Pump Max. Pressure (bar)	最高泵流量(L/min) Max. pump Flow(L/min)	最高功率(W) Pump Power(W)	水箱功率(W) Heater Power(W)	最高温度 Max. Temp.	重量(kg) Weight (kg)	版本号 Ver.
5.0	4.2	0.75	9	120°C	60	G
进/出口尺寸规格(PT)英寸(inch) Inlet /Outlet Size (L PT inner thread (inch)		冷却方式 Cooling Method	加热容量(L) Heating Tank Capacity (L)		加热罐容量 Heating Tank Dry	
2"/2"		直接冷却 Direct Cooling	3		1	

42	STM-910W-ALL-09	Cold water bypass	Assembly	1	
41	STM-607W-D-ALL	Water supply connector components	Assembly	1	Borrowed
40	STM-607W-ALL-15	Water flow regulator connector components	Structural parts	1	Borrowing optional accessories
39	BL4.0006600120	Water flow regulator connector	Structural parts	1	Borrowing optional accessories
38	YE90832500000	High and low pressure switch HLPS30HME	Assembly	1	
37	STM-910W-ALL-12	Return water pipe	Assembly	1	
36	STM-910W-ALL-06	Pressure gauge pipe	Assembly	1	
35	STM-910W-E-ALL	Pump connector components	Assembly	1	
34	STM-910W-ALL-10	Hot water bypass	Assembly	1	
33	YW20660900100	Door plank aluminum handle 6609(YaXuan)	Purchased parts	1	
32	YW64.000600300	Hexagon nut M6		5.0	4
31	YW60062500000	Hexagon screw bolt M6×25		8.8	4
30	YW66061300000	Flat washer 6		14.0HV	8
29	YW65006000100	Spring washer 6		65Mn	4
28	STM-910W-ALL-13	Pump outlet pipe	Assembly	1	
27	BH90115000050	EGO assembly	Assembly	1	
26	YW06219100000	Big hinge CL219-1	Assembly	2	
25	SG-S-01	Wire fixture fixed plate	SPCC2.0	1	
24	YW66082200100	Flat washer 8		14.0HV	6
23	YW65008000100	Spring washer 8		65Mn	4
22	YW61082000200	Inner hexagon screw MB×20		4.8	4
21	YW63051000000	Thick head bolt M5×10		4.8	22
20	YW69081500000	Butterfly screw M8×15		4.8	2
19	YW85001000100	Pressure gauge (0-10MPa)	Assembly	1	
18	STM-607W-ALL-05	Side plate	SPCC1.2	2	Borrowed
17	STM-607W-ALL-14	Cover plate	SPCC1.2	1	Borrowed
16	STM-910W-B-ALL	Heating barrel parts	Assembly	1	
15	STM-910W-A-ALL	Rack	Structural parts	1	
14	YW59385000000	Tanfon pipe +connector 3/8"-50CM	Assembly	1	
13	STM-607W-ALL-07	high pressure pipe	Assembly	1	Borrowed
12	STM-910W-ALL-11	Water supply pipe	Assembly	1	
11	STM-910W-ALL-08	Low pressure pipe	Assembly	1	
10	BH12131200010	Copper joint M13×1/2PT	H58	1	
9	YW57010200000	Y Type Strainer 1/2"	ZCuZn38	1	
8	BH12060703910	General copper nut	H58	2	
7	STM-607W-C-ALL	Drainage connector assembly	Assembly	1	Borrowed
6	STM-607W-ALL-01	Control box	SPCC1.5	1	Borrowed
5	STM-607W-ALL-02	Door plank	SPCC1.2	1	Borrowed
4	STM-607W-ALL-04	Base plate of control box	SECC1.5	1	Borrowed
3	YW63061700000	Flat head screw M6×17		4.8	20
2	STM-607W-ALL-03	Control box rear plate	SPCC2.0	1	Borrowed
1	YW03000200000	Castor 2"	Assembly	4	

序号	代号	名称	材质	数量	备注
标题		STM-910W	图号		
制图		组装图	比例		
设计			数量		
校对			材质		
标记			表面要求		
更改前	更改后	更改人	日期	日期	物料号

制图	版号	标题	STM-910W	图号	
设计	核准	组装图		比例	
校对	核准			数量	
标记	更改前	更改后	更改人	日期	日期





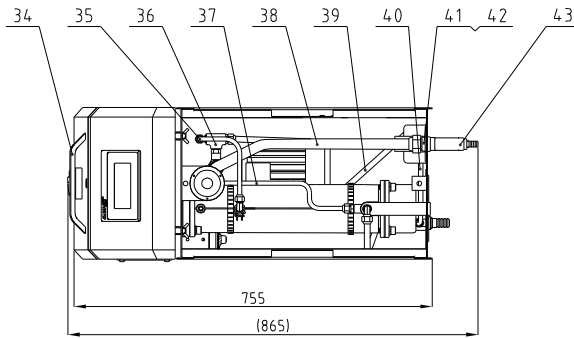
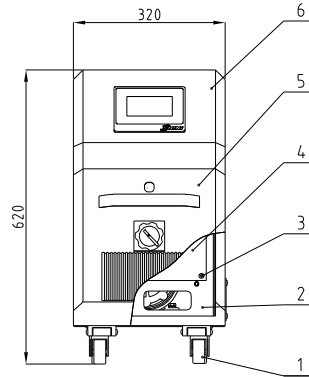
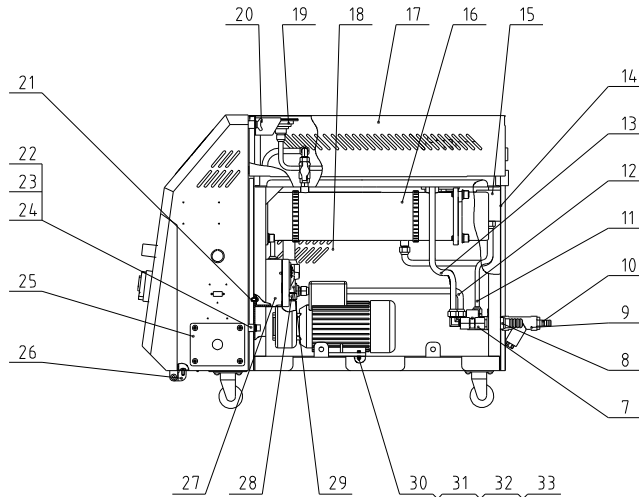
进/出口尺寸规格PT内径(inch) Inlet /Outlet Size (E PT inner thread inch)	冷却方式 Cooling Method	加热容积(L) Sub water tank capacity (L)	加热容积 Heating Tank capacity(L)	最高工作压力(bar) Max pump Pressure (bar)	最高流量(L/min) Max. pump Flow(L / min)	泵功率(W) Pump Power(W)	电功率(W) Heater Power(W)	最高温度 Max Temp	重量(kg) Weight (kg)	版本号 Ver
1/1	直接冷却 Direct Cooling	13.2	3	8	100	4.0	36	120°C	150	G

46	STM-3650W-ALL-13	Heating tank support plate gasket	Asbestos	1	
45	BH90115000050	EGO assembly	Assembly	1	
44	STM-3650W-ALL-05	side plate	SPCC1.2	2	
43	YE90832500000	high and low pressure switch	Assembly	1	
42	STM-3650W-E-ALL	drainage pipe assembly	Assembly	1	
41	STM-3650W-ALL-14	cold water bypass	Assembly	1	
40	YW57010200000	Y filter 1/2"	ZCUZU38	1	
39	YW03000300000	Brake castors 3"	Assembly	2	
38	YW66081600000	Flat gasket 8x16x1.5	14.0HV	8	
37	YW65008000100	Spring washer 8	65Mn	8	
36	YW61082000200	Inner hexagonal screw M8x20	4.8	8	
35	YW64080600000	Hexagonal nut M8	5.0	4	
34	BM20015000050	Hex. bolt M8x30	4.8	4	
33	YW66081600000	Flat washer 8x16x1.5	14.0HV	4	
32	BM20423000050	TP-4.00	Assembly	1	
31	YW65008000100	Spring washer 8	65Mn	6	
30	YW66082200100	Flat washer 8x22x1.5	14.0HV	6	
29	YW61082000200	Inner hexagonal screw M8x20	4.8	6	
28	YW66061800000	Flat gasket 6x18x1	14.0HV	16	
27	YW65006000100	Spring gasket 6	65Mn	16	
26	YW60061600100	External hexagonal bolt M6x16	4.8	16	
25	SG-S-01	Wire fixture fixed plate	SPCC2.0	1	Borrowed
24	YW66051300000	Flat gasket 5x13x10	14.0HV	7	
23	YW64000600000	M5 nut	5.0	6	
22	STM-3650W-ALL-01	Door panel activity pin	Q235A	1	
21	STM-3650W-ALL-07	Door panel movable fixing block	Assembly	1	
20	YW60061000000	Big hinge (L219-1	Assembly	2	
19	STM-3650W-ALL-16	Door panel movable arm	SPCC3.0	1	
18	YW62051000000	Flat head screw M5x10	4.8	14	
17	YW69081500000	Butterfly screw M8x15	4.8	2	
16	YW85001000100	Pressure gauge (0-10MPa range)	Assembly	1	
15	STM-3650W-ALL-09	Pressure gauge pipe	Assembly	1	
14	STM-3650W-ALL-08	Cover plate	SPCC1.2	1	
13	STM-3650W-B-ALL	Heating barrel parts	Assembly	1	
12	STM-3650W-ALL-15	Hot water bypass	Assembly	1	
11	STM-3650W-ALL-11	Low pressure pipe	Assembly	1	
10	STM-3650W-ALL-10	High pressure pipe	Assembly	1	
9	STM-3650W-C-ALL	Return water pipe assembly	Assembly	1	
8	STM-3650W-ALL-12	Water refilling pipe	Assembly	1	
7	STM-3650W-ALL-02	Control box rear plate	SPCC2.5	1	
6	YW63062000000	Thick head bolt M6x20	4.8	4	
5	STM-3650W-ALL-06	Electrical installation base plate	SECC1.5	1	
4	STM-3650W-ALL-03	Electrical control box	SPCC1.5	1	
3	YW20660900100	Door plank aluminum handle 6609(YaXuan)	AL	1	
2	STM-3650W-ALL-04	Door plate	SPCC1.5	1	
1	YW03000300200	Flexible black castor 3"	Assembly	2	

48	STM-2440W-ALL-14	Door lock fender	SUS304	1	Borrowed
47	YW00000000100	Long door lock	组合作件	1	

项目 Item	参数或默认 Parameter default
最高工作温度(°C) Maximum working temperature (°C)	120±0.5
压力开关设置 Pressure switch settings	0.2 低压力(MPa) Low pressure(MPa)
	0.7 高压力(MPa) High pressure(MPa)
EGO 设置温度(°C) EGO set temperature (°C)	130

序号	代号	名称	材质	数量	备注	图号	比例	数量	材质
						标题 STM-3650W			
						组装机			
						SHINI 信易电热机械股份有限公司 Shini Plastics Technologies, Inc.	表面要求		
					物料号				
制图	版号	设计	核准	日期					
校对		审核							
标记	更改前	更改后	更改人	日期					



本机可按客户需求选配回水温度显示功能，选配件序号为42，同时需增加一块电源。  
The return water temp. display function is optional as per customer demands, and the part's number is 42. Meanwhile, it should increase a thermocouple.

item	Standardized parameters	Nonstandard parameter
Maximum operating temperature(t)	120±0.5	14.0±0.5
Pressure switch settings	Low pressure (MPa)	0.2
	High pressure (MPa)	0.4
EGO set temperature (t)	0.7	0.8
	130	150

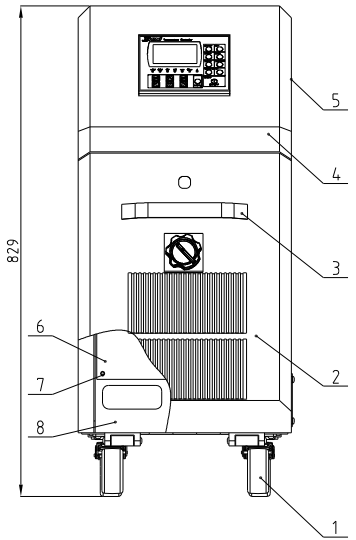
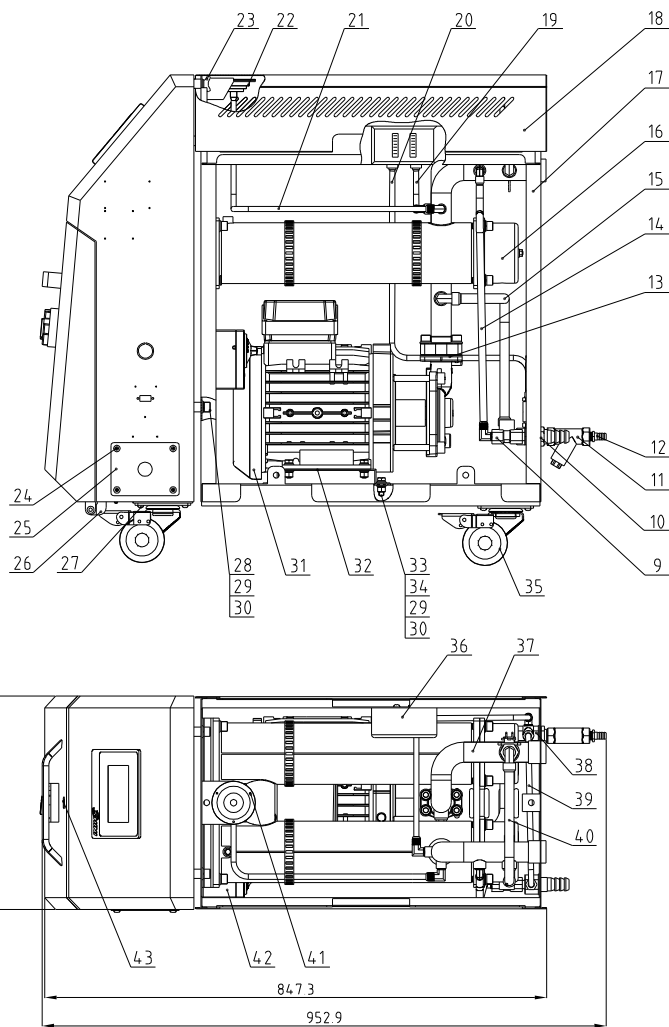
泵浦最大压力(bar) Pump Max. Pressure (bar)	泵浦最大流量(L/min) Max. pump Flow(L/min)	泵浦功率(kW) Pump Power(kW)	电热器功率(kW) Heater Power(kW)	最高温度 Max. Temp.	重量(kg) Weight (kg)	版本号 Ver
3.8	27	0.55	6	120°C	55	G

进出口尺寸规格(P)英寸 Inlet /Outlet Size (C) PT inner thread (inch)	冷却方式 Cooling Method	储水罐容量(L) Sub water Tank capacity (L)	加热罐容量 Heating Tank Qty
2"/2"	直接冷却 Direct Cooling	3	1

43	STM-607W-D-ALL	Water supply connector components	Assembly	1	
42	STM-607W-ALL-15	Water flow regulator connector components	Structural parts	1	option
41	BL40006600120	Water flow regulator connector	Structural parts	1	option
40	STM-607W-ALL-09	Cold water bypass	Assembly	1	
39	STM-607W-ALL-07	High pressure pipe	Assembly	1	
38	STM-607W-ALL-12	Return water pipe	Assembly	1	
37	STM-607W-ALL-06	Pressure gauge pipe	Assembly	1	
36	STM-607W-E-ALL	Pump connector assembly	Assembly	1	
35	STM-607W-ALL-10	Hot water bypass pipe	Assembly	1	
34	YW20660900100	Door panel aluminum handle 6609 (Yaxuan)	Structural parts	1	
33	YW64000600300	Hexagon nut M6	5.0	4	
32	YW60062500000	Hexagon bolt M6x25	8.8	4	
31	YW66061300000	Flat washer 6	14.0HV	8	
30	YW65006000100	spring washer 6	65Mn	4	
29	STM-607W-ALL-13	Pump outlet pipe	Assembly	1	
28	BH120304.01010	Tonfun pipe connector 3/4x1/2PT	H62	1	
27	BH90115000050	EGO assembly	Assembly	1	
26	YW06219100000	Big hinge CL219-1	Assembly	2	
25	SG-S-01	Wire fixture fixed plate	SPCC2.0	1	
24	YW66082200100	Flat washer 8	14.0HV	6	
23	YW65008000100	Spring washer 8	65Mn	4	
22	YW61082000200	Inner hexagon screw M8x20	4.8	4	
21	YW63051000000	Thick head bolt M5x10	4.8	22	
20	YW69081500000	Butterfly screw M8x15	4.8	2	
19	YW85001000100	Pressure gauge (0-10MPa)	Assembly	1	
18	STM-607W-ALL-05	Side plate	SPCC1.2	2	
17	STM-607W-ALL-14	Cover plate	SPCC1.2	1	
16	STM-607W-B-ALL	Heating barrel parts	Assembly	1	
15	YE90832500000	High and low pressure switch HLP830HME	Assembly	1	
14	STM-607W-A-ALL	Rack	Structural parts	1	
13	YW59385000000	Tonfun pipe -connector 3/8" x50CM	Assembly	1	
12	STM-607W-ALL-11	Water supply pipe	Assembly	1	
11	STM-607W-ALL-08	Low pressure pipe	Assembly	1	
10	BH12131200010	Copper joint M13x1/2PT	H58	1	
9	YW57010200000	Y type waster strainer 1/2"	ZCuZn38	1	
8	BH12060703910	General copper nut	H58	2	
7	STM-607W-C-ALL	Drainage connector components	Assembly	1	
6	STM-607W-ALL-01	Control box	SPCC1.5	1	
5	STM-607W-ALL-02	Door plank	SPCC1.2	1	
4	STM-607W-ALL-04	Electrical bottom plate	SECC1.5	1	
3	YW63061700000	Flat head screw M6x15	4.8	20	
2	STM-607W-ALL-03	Control box rear plate	SPCC2.0	1	
1	YW03000200000	Castor 2"	Assembly	4	

序号	代号	名称	材质	数量	备注
		标题 STM-607W	图号		比例
		水式模温机		数量	
		SHINI 信易电热机械股份有限公司 Shini Plastics Technologies, Inc.		表面要求	
		物料号		材质	

制图	版号	标题	图号
		STM-607W	
	核准	水式模温机	
	设计	SHINI 信易电热机械股份有限公司 Shini Plastics Technologies, Inc.	
	校对	表面要求	
	审核	物料号	
标记	更改前	更改后	更改人
		日期	日期



项目 Item	参数或数值 Parameter default
最高工作温度 Maximum working temperature (t)	120±0.5
压力开关设置 Pressure switch settings	低压(MPa) Low pressure(MPa) 0.2 高压(MPa) High pressure(MPa) 0.8
EGO设置温度 EGO set temperature (t)	130

泵浦最大压力 Pump Max. Pressure (bar)	泵浦最大流量 Max. pump Flow(L/min)	泵浦功率 Pump Power(kW)	电功率 Heater Power(kW)	最高温度 Max. Temp	重量 Weight (kg)	版本号 Ver
8.0	90	2.8	24	120°C	140	G

进/出口尺寸规格 Inlet /Outlet Size (CE PT inner thread)	冷却方式 Cooling Method	加热容量 Heating Tank Capacity(L)	加热功率 Heating Tank Dt.
1/1	直接冷却 Direct Cooling	2	7.4

43	YW00000000100	long door lock	Assembly	1	
42	BH90115000050	EGO assembly	Assembly	1	
41	YW63030600000	Thick head bolt M3x6	4.8	3	
40	STM-2440W-ALL-12	Hot water bypass	Assembly	1	
39	STM-2440W-ALL-11	Cold water bypass	Assembly	1	
38	STM-2440W-E-ALL	Water refilling connector assembly	Assembly	1	
37	STM-2440W-C-ALL	Return water pipe assembly	Assembly	1	
36	YE90832500000	high and low pressure switch HL P830HME	Assembly	1	
35	YW03000300000	Brake castors 3"	Assembly	2	
34	YW64080600000	Hex. nut M8	5.0	8	
33	YW60083000100	Hex. bolt M8x30	4.8	8	
32	STM-2440W-ALL-05	Pump bottom plate	SPCC2.0	1	
31	BM20028000550	Pump TP-280	Assembly	1	
30	YW66081600000	Flat washer 8x16x15	14.0HV	14	
29	YW65008000100	Spring washer 8	65Mn	12	
28	YW61082000200	inner hexagon screw M8x20	4.8	4	
27	YW62061500000	Flat head screw M6x15	4.8	16	
26	YW60061000000	Big hinge CL219-1	Assembly	2	
25	SG-S-01	Wire fixture fixed plate	SPCC2.0	1	Borrowed
24	YW62051000000	Flat head screw M5x10	4.8	6	
23	YW69081500000	Butterfly screw M8x15	4.8	2	
22	YW85001000100	Pressure gauge 10-10MPa range	Assembly	1	
21	STM-2440W-ALL-08	Pressure gauge pipe	Assembly	1	
20	STM-2440W-ALL-10	high pressure pipe	Assembly	1	
19	STM-2440W-ALL-09	high pressure pipe	Assembly	1	
18	STM-2440W-ALL-07	Cover plate	SPCC1.2	1	
17	STM-2440W-A-ALL	Rack	Assembly	1	
16	STM-2440W-B-ALL	Heating barrel parts	Assembly	1	
15	STM-2440W-ALL-13	Water refilling pipe	Assembly	1	
14	YW59385000000	Union pipe connector 3/8"-50CM	Assembly	1	
13	YR10150000000	Pump flange gasket	graphite	2	Pump equipment
12	BH12131200010	Copper joint M13x1/2PT	H58	1	
11	YW57010200000	Y Type Strainer 1/2"	ZCuZn38	1	
10	STM-607W-41	Copper female thread connector 123L	H58	2	Borrowed
9	STM-2440W-D-ALL	Drainage connector assembly	Assembly	1	
8	STM-2440W-ALL-03	Control box rear plate	SPCC2.0	1	
7	YW61061500100	Half round head cross screw M6x15	4.8	4	
6	STM-2440W-ALL-04	Electrical base plate	SECC15	1	
5	STM-2440W-ALL-06	side plate	SPCC1.2	2	
4	STM-2440W-ALL-02	Control box	SPCC15	1	
3	YW20660900100	Door plank aluminum handle 6609(YaXuan)	AL	1	
2	STM-2440W-ALL-01	door plank	SPCC15	1	
1	YW03000300200	Flexible castor 3"	Assembly	2	

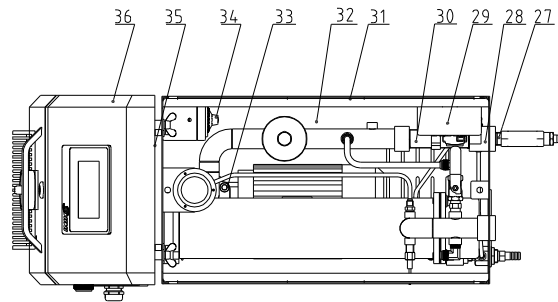
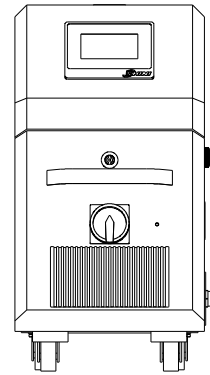
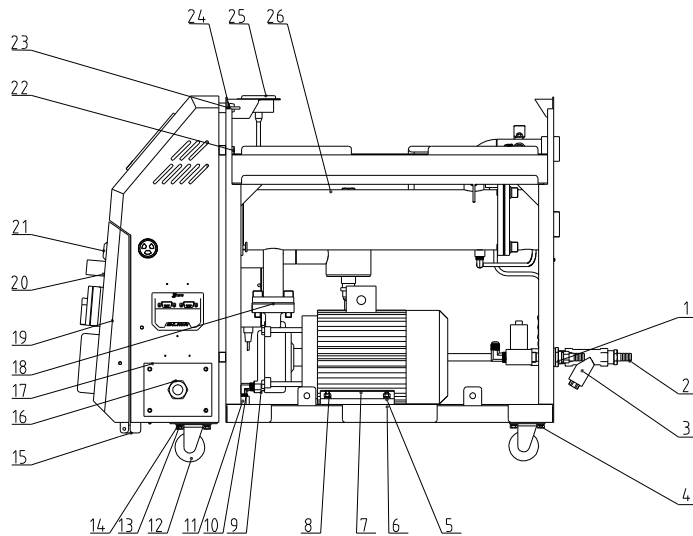
序号	代号	名称	材质	数量	备注
		比例	1:8	数量	1
		图号	STM-2440W-ALL	材质	/
		表面要求			/
		物料号			/

制图	版号	D	标题	图号	比例	数量	备注
			STM-2440W	STM-2440W-ALL	1:8	1	
			组装图				
标记	更改前	更改后	更改人	日期	审核	日期	20130426



泵浦最大压力(bar) Pump Max. Pressure (bar)	泵浦最大流量(L/min) Max. pump Flow(L/min)	泵浦功率(kW) Pump Power(kW)	电热(kW) Heater Power(kW)	最高温度 Max Temp	重量(kg) Weight (kg)	版本号 Ver.
6.2	74	15	12	120°C	140	H

进/出口尺寸规格PT内牙(inch) Inlet /Outlet Size CE PT inner thread (inch)	冷却方式 Cooling Method	加热罐容量(L) Heating Tank capacity (L)	加热罐数量 Heating Tank Qt
1/1	直接冷却 Direct Cooling	3	1



流量计为选配项。  
Flowmeter is an optional item.

36	STM-1220W-ALL-02	Control box		1	Welding parts
35	STM-1220W-ALL-03	Control box rear plate		1	Welding parts
34	BH90115000050	high-Temp. fester		1	EGO
33	YW61103500000	Hexagon socket head cap screw M10x35	12.9	8	GB/T70.1
32	STM-1220W-D-ALL	Return water pipe assembly		1	
31	STM-1220W-A-ALL	Rack		1	Welding parts
30	YE15051002000	Vortex Flow Sensor VFS		1	5-100 gelanfu
29	YE90832500000	High and low pressure switch	2024	1	HLP830HME
28	STM-1220W-H-02	1" adapter	SUS304	1	
27	STM-1220W-B-ALL	Water refilling connector assembly		1	Welding parts
26	STM-1220W-C-ALL	Heating tank assembly		1	Welding parts
25	YW85001000100	Pressure gauge		1	0-10MPa Range
24	YW69081500000	Butterfly bolt M8x15	Q235A	2	GB/T 3098
23	YW65008000100	Standard spring washer 8	65Mn	6	GB/T93
22	YW61082001200	Hexagon socket head cap screw M8x20	12.9	4	GB/T70.1
21	YW00000000100	Long door lock	PVC	1	
20	YW20660900100	Door plank aluminum handle	2024	1	6609(YaXuan)
19	STM-1220W-ALL-01	Door plate		1	Welding parts
18	STM-1220-B-07	Graphite gasket	ISO-68	2	
17	SG-S-01	Wire fixture fixed plate	SPCC2.0	1	
16	YE67251500100	Copper-nickel-plated cable joint	H62	1	
15	YW06219100000	Big hinge	2024	2	ShengJiu CL219-1
14	YW65006000100	Standard spring washer 6	65Mn	20	GB/T93
13	YW66061300000	Flat gasket A 6	Q235A	20	
12	YW03000200000	Castor	Rubber	4	2" without brake 35KG
11	S-171	Teflon plug	H58	1	3/8"H plug
10	YW040308004.00	Tonflon connector	H58	1	1/4"PT×3/8"HL
9	STM-907HT-B-17	lengthened screw of oil discharge	H58	1	Borrowed
8	YW64000600300	Hexagon nut M6	Q235A	4	GB/T6170
7	TP-150	Pump	Q235A	1	TP-150 Anbo
6	YW66081900000	Flat washer 8	Q235A	10	8x19x2.0
5	YW60062500000	Hexagon bolt M6x25	4.8	4	GB/T5781
4	YW60061000000	Hexagon bolt M6x10	12.9	16	GB/T5781
3	YW57010200000	Y Type Strainer	H62	1	1/2" PT 30-35 mesh
2	S-73	Copper joint	H62	1	M13×1/2"PT
1	STM-1220W-E-ALL	Drainage connector assembly		1	Welding parts

序号	代号	名称	材料	数量	备注
		标题 STM-1220W			图号
		组装机			比例
					数量
					材质
					表面要求
					物料号

					制图	版号
					设计	核准
					校对	
标记	更改前	更改后	更改人	日期	审核	日期

