

P=0.12kW  
IN=0.48A  
Drying blower

P=3kW  
IN=7.5A  
Regeneration heater

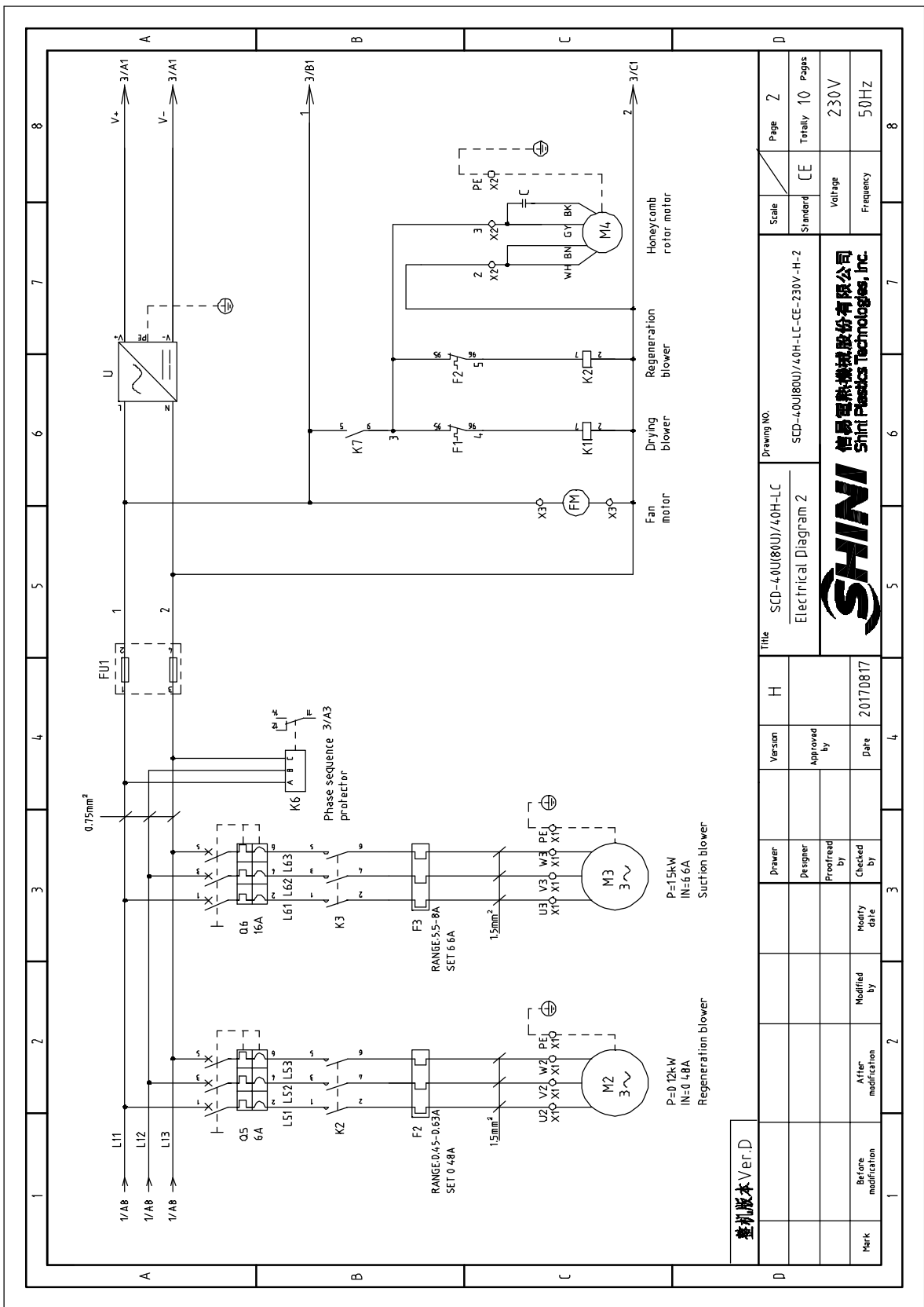
P=4kW  
IN=10A  
Drying heater

資料版本 Ver D

Title	SCD-40J(80J)/40H-LC		Drawing No.	SCD-40J(80J)/40H-LC-CE-230V-H-1	
	Electrical Diagram 1			Scale	CE
Designer	Version	Approved by	Page	1	
Prepared by	Checked by	Date	Totally	10	
Modified by	Modify date	20170817	Voltage	230V	
Mark	Before modification		Frequency	50HZ	



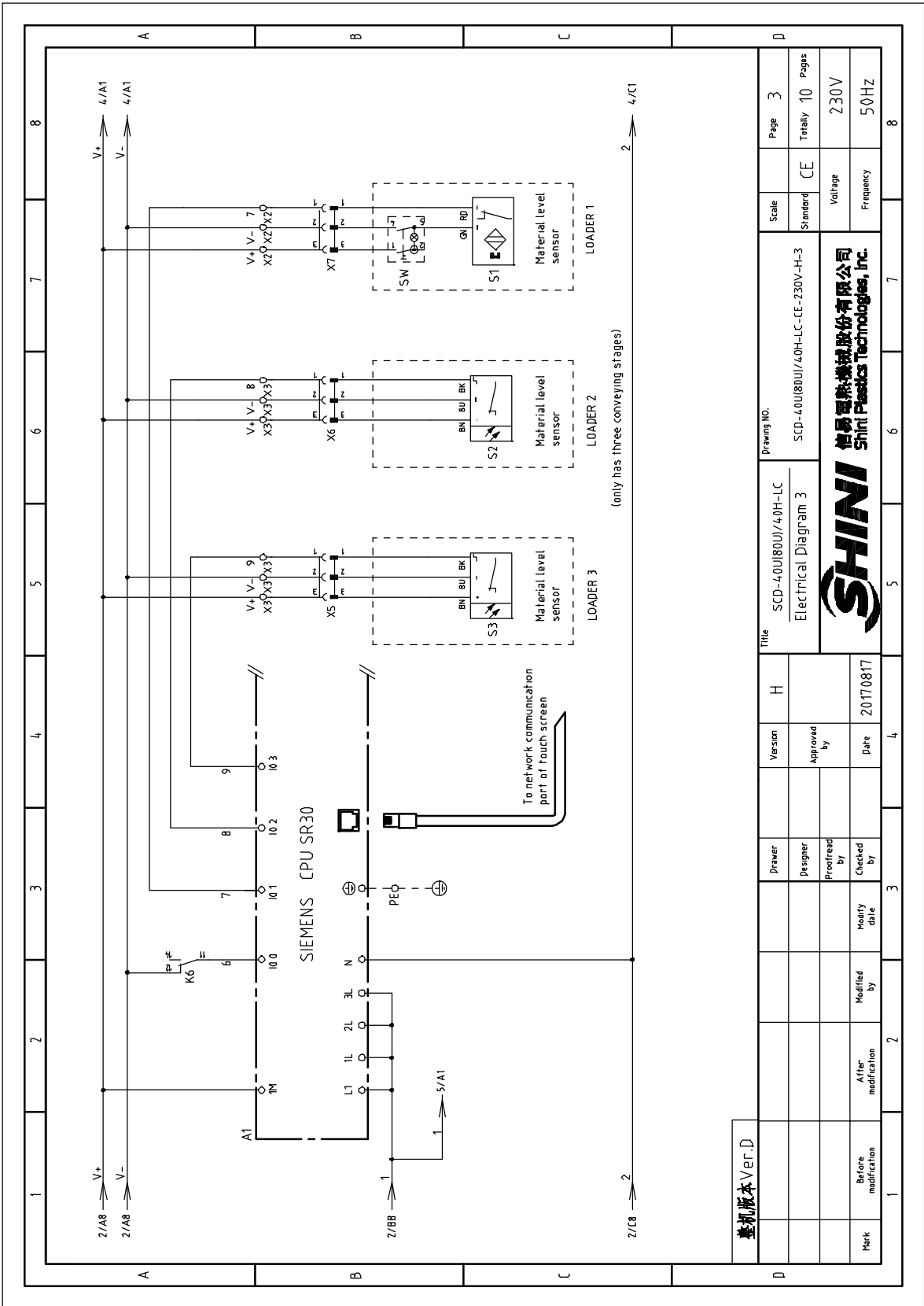
1	2	3	4	5	6	7	8
A	B	C	D				



資料版本 Ver.D

Mark	Before modification	Modified by	2	1
Mark	After modification	Modified by	3	2
Mark	Checked by	Checked by	4	3
Mark	Designed by	Designed by	5	4
Mark	Drawn	Drawn	6	5
Version	Approved by	Version	H	6
Version	20170817	Date	7	7
Title		Drawing No.		
Electrical Diagram 2		SCD-40U(80U)/40H-LC		
Regeneration blower		SCD-40U(80U)/40H-LC-CE-230V-H-2		
Scale	CE	Stand	Page	2
Scale	CE	Stand	Totally	10
Scale	CE	Stand	Pages	8
Scale	CE	Stand	Frequency	50HZ
Scale	CE	Stand	Voltage	230V

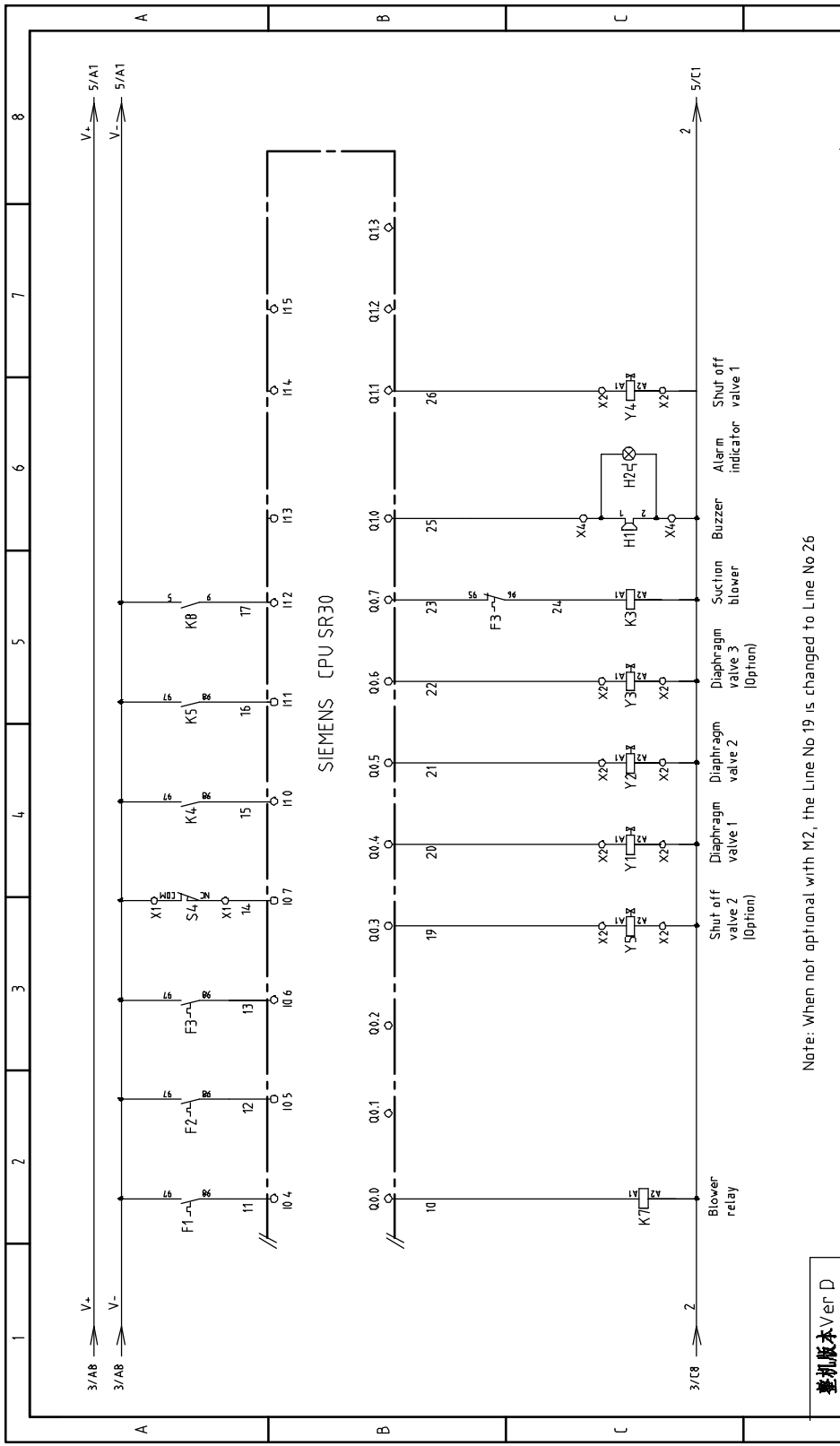




整机版本 Ver.D

Mark	Before modification	After modification	Modified by	Modify date	Checked by	Approved by	Version	H	Title	Drawing NO.	Scale	Page
				20170817					SCD-40UJ80UJ/40H-LC Electrical Diagram 3	SCD-40UJ80UJ/40H-LC-CE-230V-H-3	CE	3
												Totally 10
												Pages
												230V
												50HZ
												8

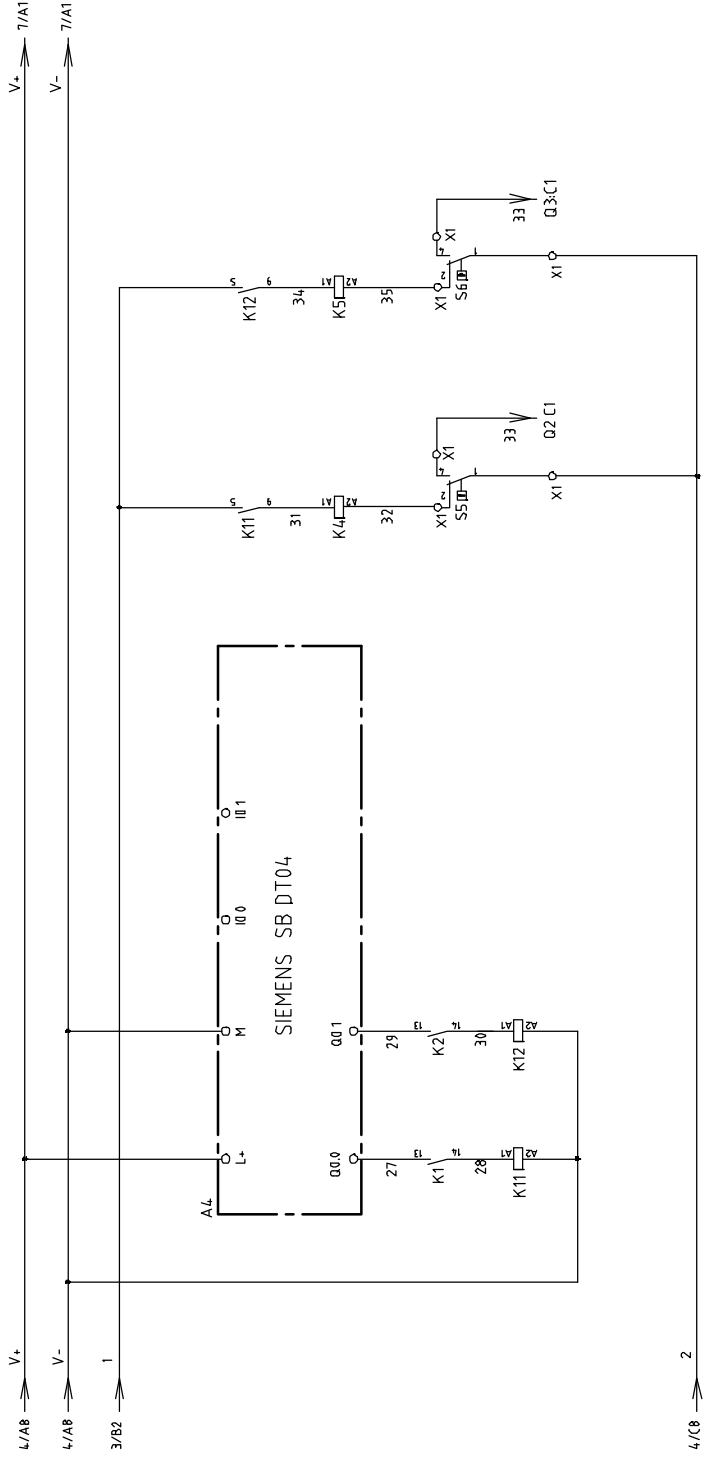




<b>整机版本 Ver D</b>		Drawing No. SCD-40U(80U)/40H-LC-CE-230V-H-4		Page 4
Designer		Version H		Scale CE
Modified by		Approved by		Sheet 10
After modification		Date 20170817		Voltage 230V
Before modification		Date		Frequency 50HZ
Mark		Date		Totaly 10
Modified by		Date		Page 8
Checked by		Date		Frequency
Meeting date		Date		Voltage
Meeting date		Date		Frequency



Note: When not optional with M2, the Line No 19 is changed to Line No 26



差別版本 Ver D

Mark	Before modification	After modification	Modified by	Modify date	Checked by	Designer	Drawer	Version	H	Title	SCD-40U(80U)/4DH-LC Electrical Diagram 5	Scale	CE	Page	5
				20170817	Approved by					Drawing No.	SCD-40U(80U)/40H-LC-CE-230V-H-5	Standard	CE	Totally	10
					Date									Volpage	230V
														Frequency	50Hz

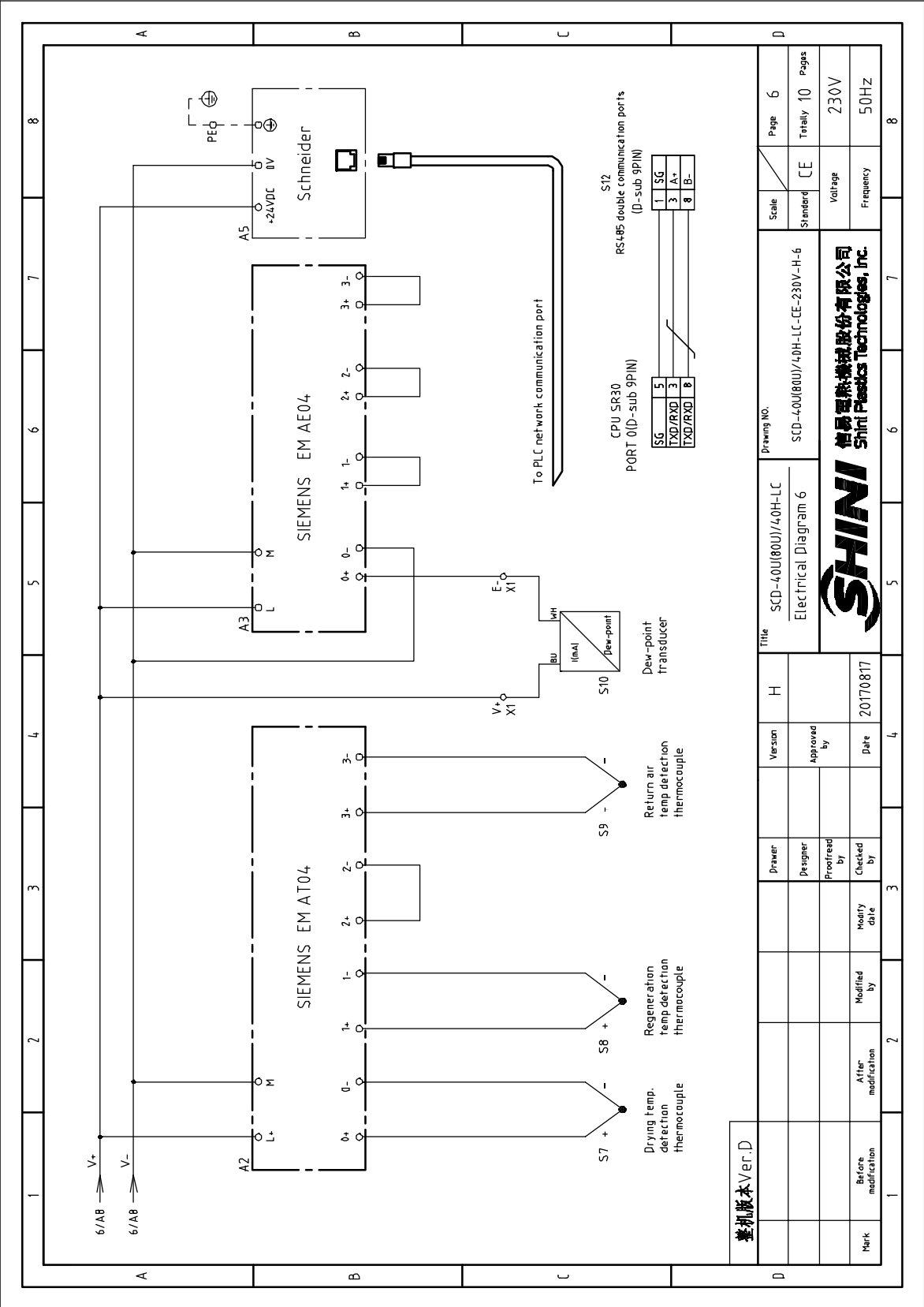


1 2 3 4 5 6 7 8

A A B C D

1 2 3 4 5 6 7 8

Drying heater relay      Regeneration heater relay      Drying heater      Regeneration heater



<b>資料版本 Ver.D</b>		Drawing No.		Scale		Page	
SCD-40U(80U)/40H-LC		SCD-40U(80U)/40H-LC-CE-230V-H-6		Standard		CE	
Electrical Diagram 6		Title		Version		Totaly	
20170817		Approved by		10		Pages	
Date		Date		Voltage		230V	
Modified by		Checked by		Frequency		50Hz	
After modification		Modify date		8		8	
Before modification		3		2		1	



1	SG
3	A+
8	B-

S12  
RS485 double communication ports  
(D-sub 9PIN)

CPU SR30  
PORT 0(D-sub 9PIN)

To PLC network communication port

S10  
Dew-point transducer

S9  
Return air temp detection thermocouple

S8  
Regeneration temp detection thermocouple

S7  
Drying temp. detection thermocouple

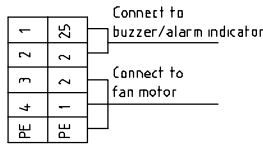
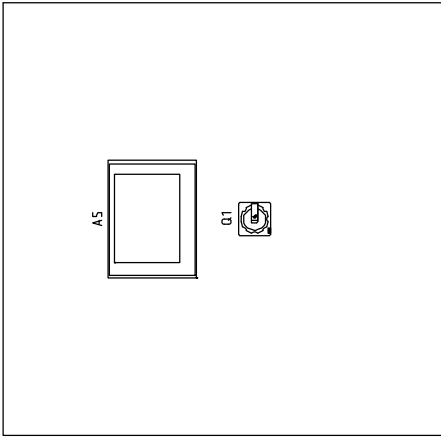
1 2 3 4 5 6 7 8

A

B

C

D



X3

9	8	7					
V+	V-	V+	V-	V-	V-	PE	PE

Connect to material level sensor 1  
Connect to material level sensor 2  
Connect to material level sensor 3

XZ

3	20	21	22	26	19	PE	PE	PE	PE
2	2	2	2	2	2	PE	PE	PE	PE

Connect to shut off valve 2 (Option)  
Connect to shut off valve 1  
Connect to diaphragm valve 3 (Option)  
Connect to diaphragm valve 2  
Connect to diaphragm valve 1  
Connect to honeycomb rotor motor

X1

28	27	26	25	24	23	22	21	20	19	18	17	16	15	14	13	12	11	10	9	8	7	6	5	4	3	2	1	PE
V+	E-	V-	V-	14	33	32	2	33	35	U1	V1	W1	U2	V2	W2	U3	V3	W3	U5	V5	W5	U4	V4	W4	U1	L2	L3	PE

Connect to dew point transducer (option)  
Connect to micro switch  
Connect to drying temp. protector  
Connect to regen temp. protector  
Connect to drying blower  
Connect to regeneration blower  
Connect to suction motor  
Connect to regeneration heater  
Connect to drying heater  
Connect to power lines

資料版本 Ver.D

Drawn	Designer	Checked by	Date	Version	Approved by	H	Title	Scale	Page
								Standard	Totally
							SCD-40U(80U)/40H-LC Electrical Components Layout	CE	10
			20170817				SHINI 信易塑料機械股份有限公司 Shini Plastics Technologies, Inc.	Voltage	230V
								Frequency	50HZ

1 2 3 4 5 6 7 8

B

C

D

1	2	3	4	5	6	7	8	
NO	Symbol	Name	Manufacturer	Type	Specification	Number	Material number	Remark
1	Q1	Main switch	EATON	P2-32-EA/SVB	32A	1	YE10B2320000	
2	Q2 Q3 Q6	Circuit-breaker	TECO	BM-63C 3P	16A	3	YE40301603000	
3		Excitation release	TECO	MX	220V 50/60Hz	2	YE40023560000	A
4	Q4 Q5	Circuit-breaker	TECO	BM-63C 3P	6A	2	YE40300603000	
5	K1 K2 K3	Contact	SIEMENS	3RT6016-1AN21	9A 220V 50/60Hz	3	YE00601621000	
6	K4	Contact	SIEMENS	3RT6018-1AN21	16A 220V 50/60Hz	1	YE00601800000	
7	K5	Contact	SIEMENS	3RT6018-1AN21	16A 220V 50/60Hz	1	YE00601800000	
8	K6	Phase relay	CHADSHI	ABJ-10W	230V 50/60Hz	1	YE03102200000	
9	K7 K8	Relay	WEDMULLER	DRM270730LT	220V 50/60Hz	2	YE03270700000	
10	K11 K12	Relay	WEDMULLER	DRM270724LT	24V DC	2	YE03272400000	
11	F1	Overload relay	SIEMENS	3RU6116-0GB0	0.45-0.63A	1	YE01161450000	B
12	F2	Overload relay	SIEMENS	3RU6116-0GB0	0.45-0.63A	1	YE01161450000	
13	F3	Overload relay	SIEMENS	3RU6116-1HB0	55-8A	1	YE01160550000	
14	A1	PLC	SIEMENS	CPU SR30 AC/DC/RLY	100-230VAC 50/60Hz	1	YE81003006000	
15	A2	PLC Analog module	SIEMENS	4-point thermocouple temp module EM A 104	--	1	YE82000400300	
16	A3	PLC Analog module	SIEMENS	4-point input analog quantity module EM AED4	--	1	YE82000400400	(2)
17	A4	PLC Analog module	SIEMENS	Circuit board for signal expansion SB D104	--	1	YE90000401300	
18	A5	Human-machine interface	SCHNEIDER	GX03512	24VDC	1	YE80351200200	
19	FU1	Fuse base	CHINT	RT18-32	2P	1	YE41032200000	C
20		Fuse	CHINT	10x38 500V	2A	2	YE46002000100	
21	U	DC power	MEAN WELL	NES-35-24	OUT=DC24V 15A	1	YE71352400100	
22	S1	Reed switch	FOTEK	FC-12V	24VDC	1	YE15007200000	(1)
23	S2 S3	Photoelectric switch	FOTEK	T18-3MNB-PE	24VDC	2	-----	(1)
24	S4	Micro switch	TEND	LXW5-11G1	250V 5(A)	1	-----	(1)
25	S5	Temperature protector	----	-----	250V 5(A)	1	-----	(1)
<b>整机版本(Ver.D)</b> Notes (1)Means it's not the material inside the control box. (2)Stands for optional.								
			Drawer	Version	Title		Scale	Page
			Designer	H	SCD-40U(80U)/40H-LC		Standard	8
			Proofread by	Approved by	Electrical Components List 1		CE	Totally 10
			Checked by	Date	SCD-40U(80U)/40H-LC-CE-230V-H-8		Voltage	230V
			Modify date	20170817			Frequency	50HZ
Mark			Before modification	Modified by				8





1	2	3	4	5	6	7	8	
NO	Symbol	Name	Manufacturer	Type	Specification	Number	Material number	Remark
26	S6	Temperature protector	----	----	250V 5(4)A	1	-----	(1)
27	S7 S8 S9	Thermocouple	SHINI	ST-K	K	3	-----	(1)
28	S10	Dew-point transducer	CS	CS 217-OEM	POWER=24VDC OUT=4-20mA	1	YE90021700100	(1) (2)
29	Y1-Y4	Solenoid valve	--	MSFW-230-50/60	220V 50/60Hz	4	-----	(1)
30	H1	Buzzer	HITPOINT	PF-35A	60-250V	1	YEB4-0035A0200	(1)
31	H2	Alarm indicator	SHINI	LED-3051	220V 50/60Hz	1	YEB3305100200	(1)
32	X1 X3	Terminal board	----	6mm <sup>2</sup>	57A 690V	3	YE60000603200	
33				6mm <sup>2</sup> PE	-	1	YE60000603500	
34	X1 X2 X4	Terminal board	----	4mm <sup>2</sup>	41A 690V	15	YE60000403200	
35				4mm <sup>2</sup> PE	-	5	YE60000403500	
36				2.5mm <sup>2</sup>	32A 690V	20	YE60002503200	
37				2.5mm <sup>2</sup> PE	-	5	YE60002503400	
38				2.5mm <sup>2</sup>	32A 690V	6	YE60002503200	(2)
39				2.5mm <sup>2</sup> PE	-	2	YE60002503400	(2)
40	X3	Terminal board	----	Terminal SK2.5-TL	10A 250V	3	YE60002503600	
41				FBS1B 10-ZDIK RD	10A 250V	3	YE60001000200	
42				SK2.5-TL	10A 250V	3	YE60002503600	
43	X5 X6 X7	Heavy duty connector	WEIN	HDC-HA-004.1	4P 10A	3	YE68041000100	(1)
44	FM	Fan	SUNDON	DP-200A	230V AC 4.0W	1	YM60T212004.00	(1)
45	S10	Communication interface board RS-485 (double D-sub-9pin connector)	----	----	----	1	YE9004-8501200	(1)
46		Shell RS485(SAL-700G-A-19)0	----	----	----	1	YR4-004-8500000	(1)
47	M1	Blower	SHINI	----	230V 0 12kW	1	-----	(1)
48	M2	Blower	SHINI	----	230V 0 12kW	1	-----	(1)
49	M3	Blower	SHINI	----	230V 15kW	1	-----	(1)
50	M4	Motor	----	----	230V 4.015kW	1	-----	(1)
<b>更改版本(Ver.D)</b> Notes: (1)Means it's not the material inside the control box. (2)Stand for optional.								
			Drawer	Version	Title		Scale	Page
			Designer	Approved by	SCD-60U(80U)/40H-LC		Standard	Totally
			Proofread by	Date	Electrical Components List 2		CE	10
			Checked by	20170817			Voltage	230V
			Modified by				Frequency	50HZ
			Modify date					
			After modification					
			Before modification					
								8



Drawing NO.

SCD-60U(80U)/40H-LC-CE-230V-H-9

Electrical Components List 2

H

Version

Approved by

Date

20170817

Modify date

Modified by

After modification

Before modification

Ver.D

Notes: (1)Means it's not the material inside the control box. (2)Stand for optional.

Electrical Components List 2

20170817

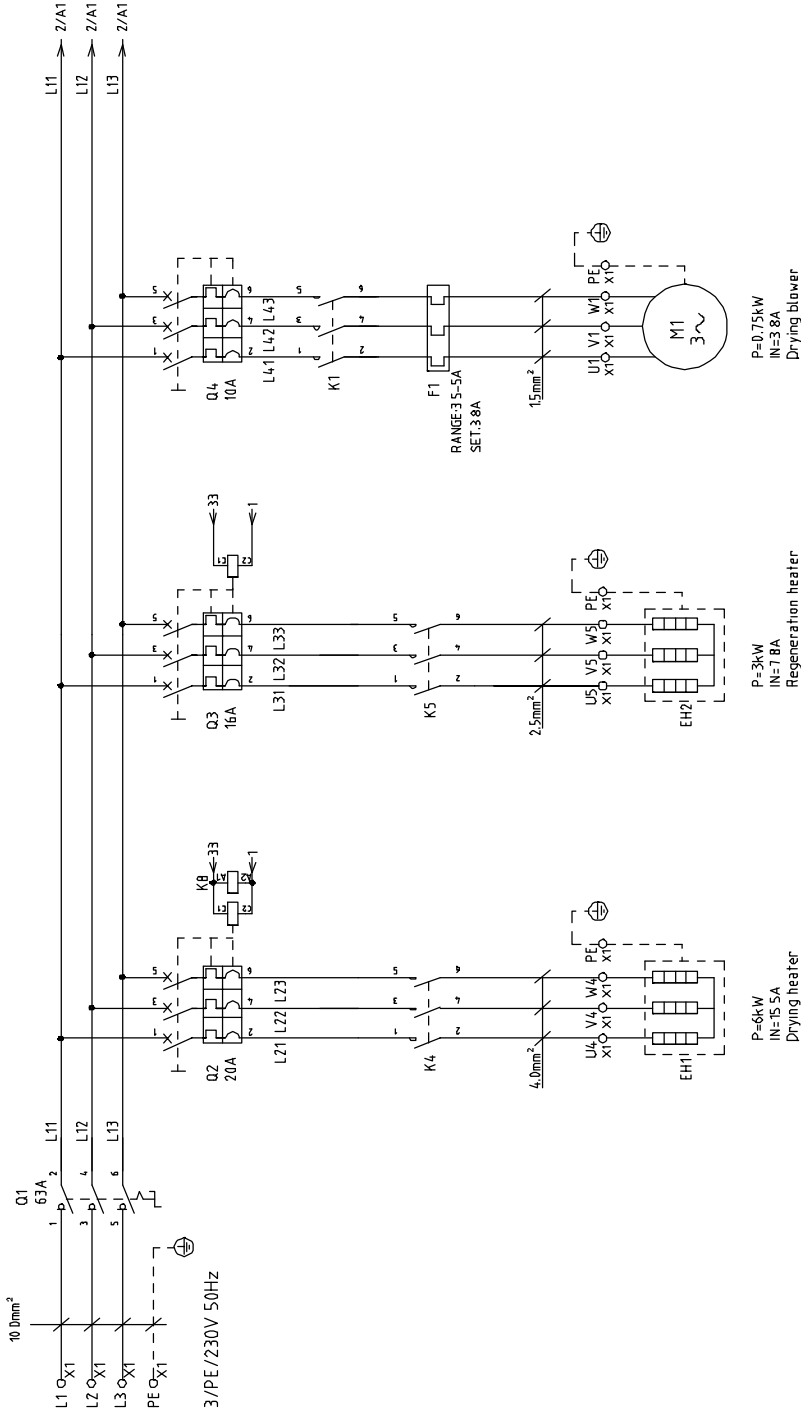
230V

50HZ

8

1		2		3		4		5		6		7		8	
No	Symbol	Name	Manufacturer	Type	Specification	Number	Material number	Remark							
51	EH1	Heater	SHINI	-----	230V 4kW	1	-----	(1)							
52	EH2	Heater	SHINI	-----	230V 3kW	1	-----	(1)							
A															
B															
C															
D															
<b>資料版本 Ver.D</b> Notes: (1)Means it's not the material inside the control box. (2)Stands for optional.															
Title SCD-60U(80U)/40H-LC Electrical Components List 3										Drawing No. SCD-60U(80U)/40H-LC-CE-230V-H-10		Scale Standard CE		Page 10 Totaly 10 Pages	
Designer Proofread by				Version Approved by		H		Date 20170817		Voltage Frequency		230V 50HZ		8	
Mark Before modification		After modification		Modified by		Modify date		3		4		7		8	





Note: For 60Hz, the regenerative heater is 4kW

1200/120E 整机版本 Ver A		1600/120E 整机版本 Ver E		2300/120E 整机版本 Ver D	
Drawn	Version	Designer	Approved by	Checked by	Date
					20170817
Mark	Before modification	After modification	Modified by	Hearty date	

Title		Drawing No.	
SCD-1200U1600U1230U/120H-L1		SCD-120U160U1230U/120H-LC-CE-230V-G-1	
Electrical Diagram 1		Stand	
Scale		Page 1	
CE		Totally 10 Pages	
Voltage		230V	
Frequency		50HZ	



1 2 3 4 5 6 7 8

A B C D

L11 L12 L13  
L21 L22 L23  
L31 L32 L33

Q1 63A  
Q2 20A  
Q3 16A  
Q4 10A

K1  
K2  
K3  
K4  
K5

F1  
F2  
F3

U1 U2 U3  
U4 U5  
U6 U7

M1

EH1  
EH2

3/PE/230V 50Hz

P=6kW  
IN=15.5A  
Drying heater

P=3kW  
IN=7.8A  
Regeneration heater

P=0.75kW  
IN=3.8A  
Drying blower

RANGE:3.5-5A  
SET:3.8A

1.5mm<sup>2</sup>

2.5mm<sup>2</sup>

4.0mm<sup>2</sup>

10.0mm<sup>2</sup>

63A

20A

16A

10A

3/PE/230V 50Hz

10.0mm<sup>2</sup>

63A

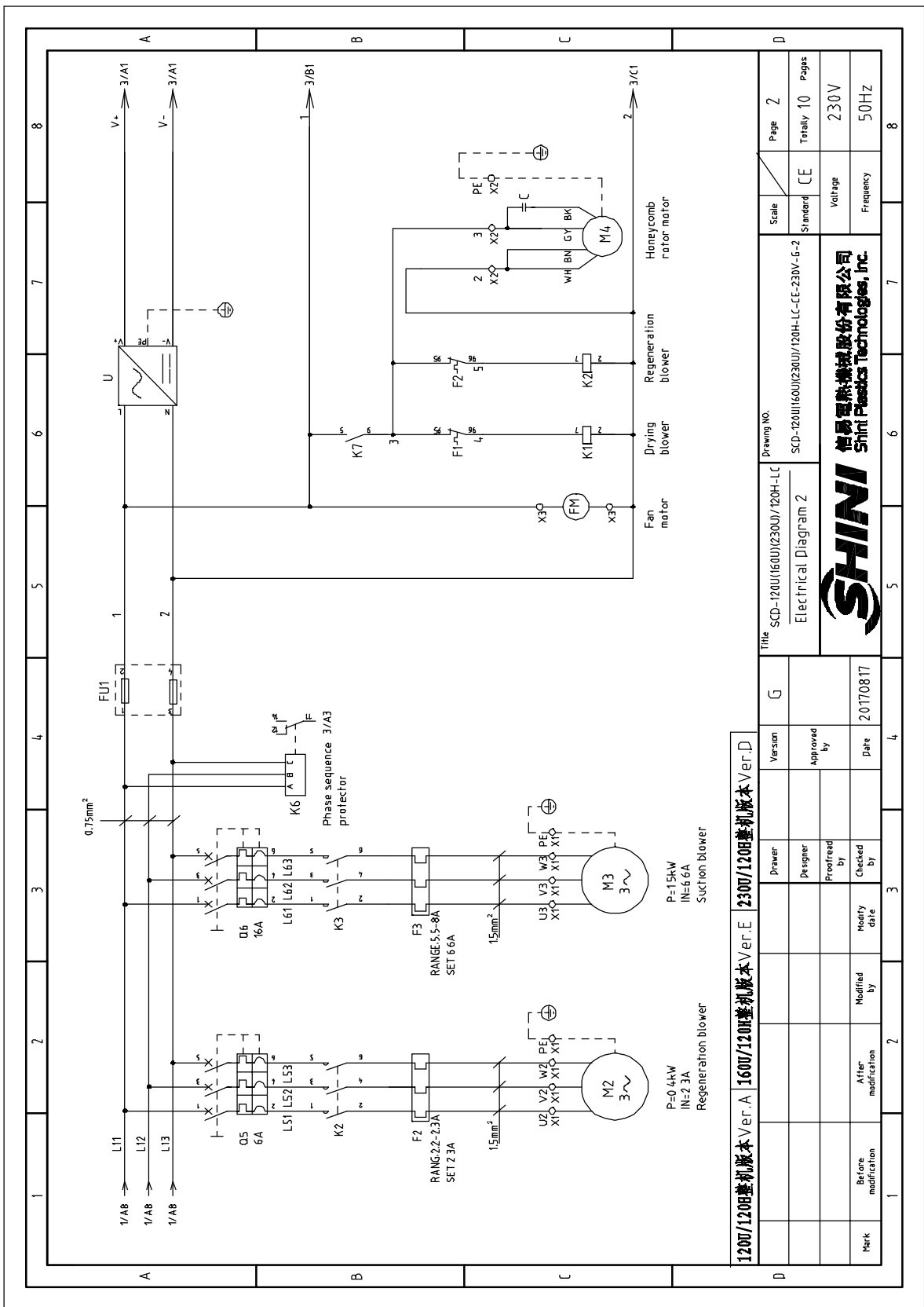
20A

16A

10A

3/PE/230V 50Hz

10.0mm<sup>2</sup>

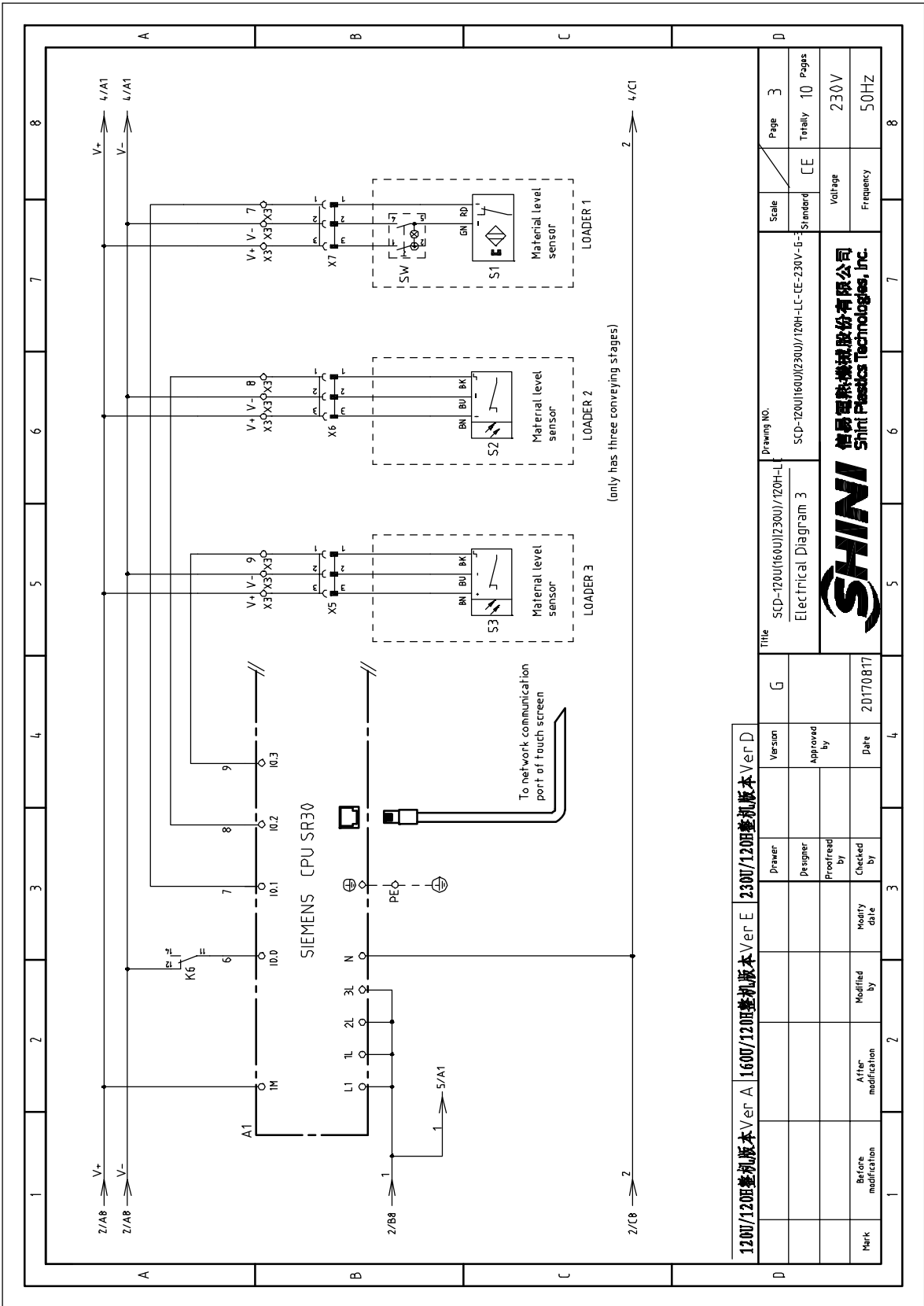


1200/120H 整機版本 Ver.A 1600/120H 整機版本 Ver.E 2300/120H 整機版本 Ver.D

Mark	Before modification	After modification	Modified by	Modify date	Checked by	Design	Version	Approved by
				20170817			G	

Title		Drawing No.	
SCD-1200(1600)(2300)/120H-LC		SCD-1200(1600)(2300)/120H-LC-EE-230V-G-2	
Electrical Diagram 2		Scale	Page 2
SHINI 信易理熱機城股份有限公司 Shini Plastics Technologies, Inc.		Standard	Totally 10 Pages
		CE	230V
			50Hz

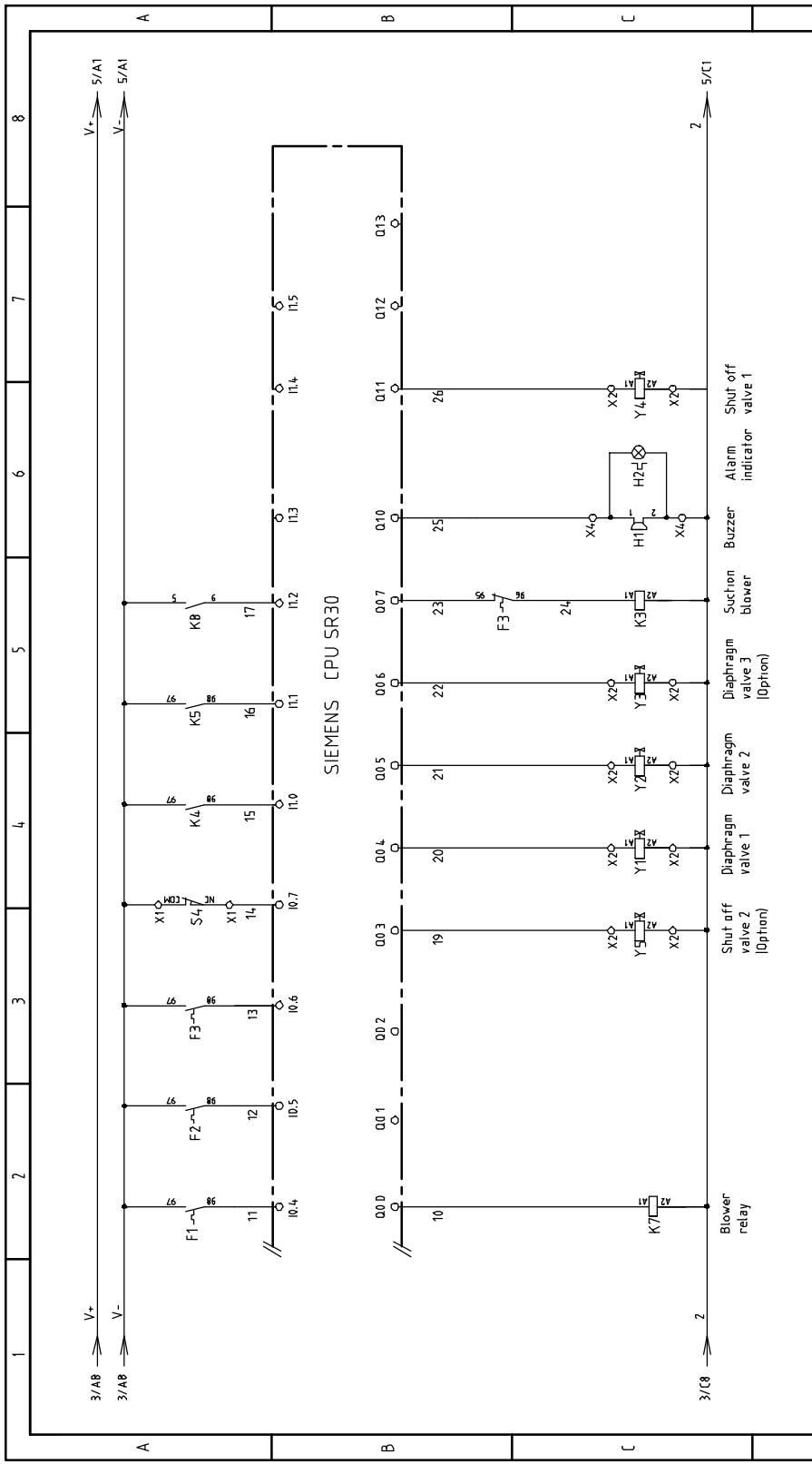




Mark	Before modification	After modification	Modified by	Modify date	Checked by	Date
						20170817

12.00/12.00 整机版本 Ver A	1.600/12.00 整机版本 Ver E	2.300/12.00 整机版本 Ver D
Designer	Designer	Approved by
Protestred by	Checked by	Date
Title: SCD-1200(1600)/2300/120H-L		
Electrical Diagram 3		
Drawing NO. SCD-1200(1600)/2300/120H-LC-CE-230V-G-1		
Scale	CE	Page 3
Totally 10 Pages		Frequency 50HZ
Voltage 230V		

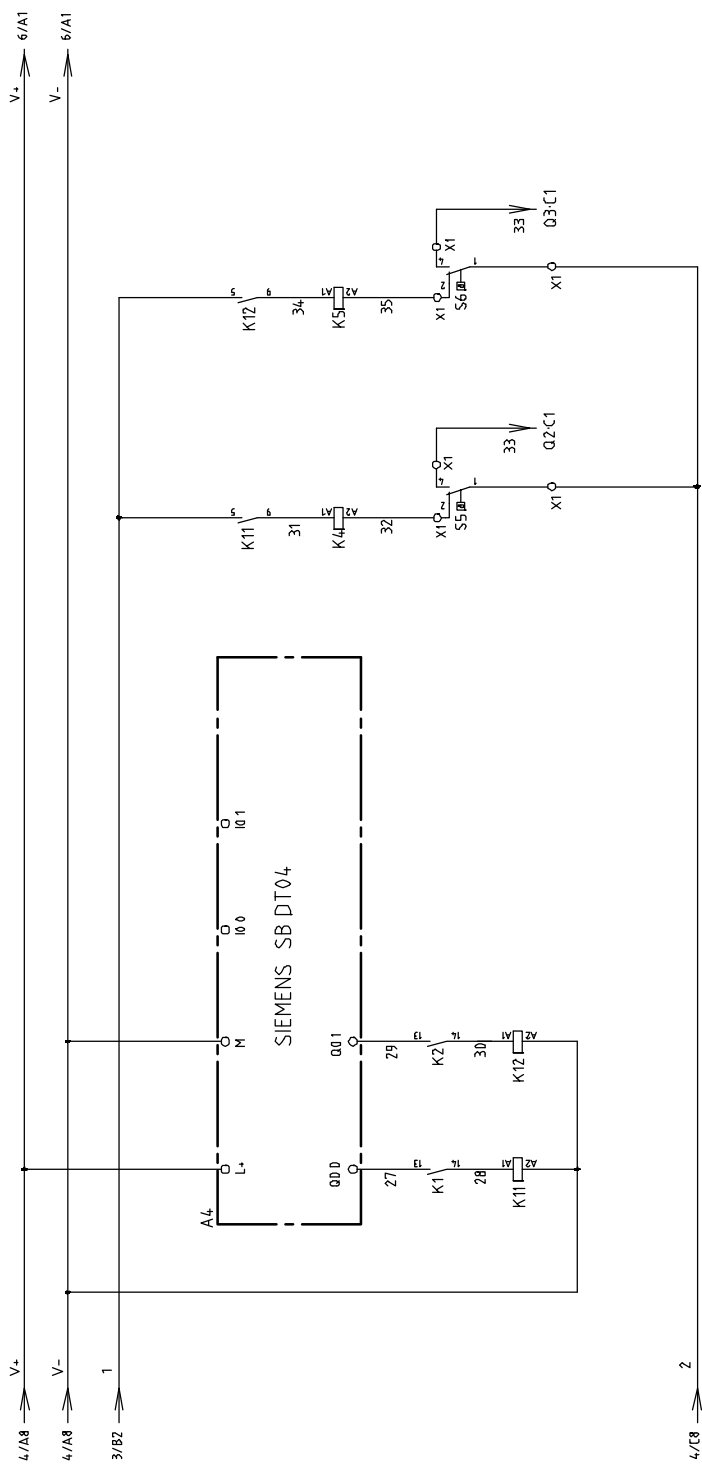




Note: When not optional with M2, the Line No 19 is changed to Line No 26

12.00/12.00 蓋机版本 Ver A		16.00/12.00 蓋机版本 Ver E		23.00/12.00 蓋机版本 Ver D	
Drawn	Designer	Prepared by	Checked by	Modify date	
Mark	Before modification	After modification	Modified by	Date	
				20170817	
Title		Drawing No.		Scale	
SCD-1200/1600/2300/120H-LC Electrical Diagram 4		SCD-1200/1600/2300/120H-LC-CE-230V-G-4		CE	
Version		Approved by		Page	
G				4	
Date		Date		Totally	
20170817				10	
Pages		Voltage		Frequency	
8		230V		50HZ	





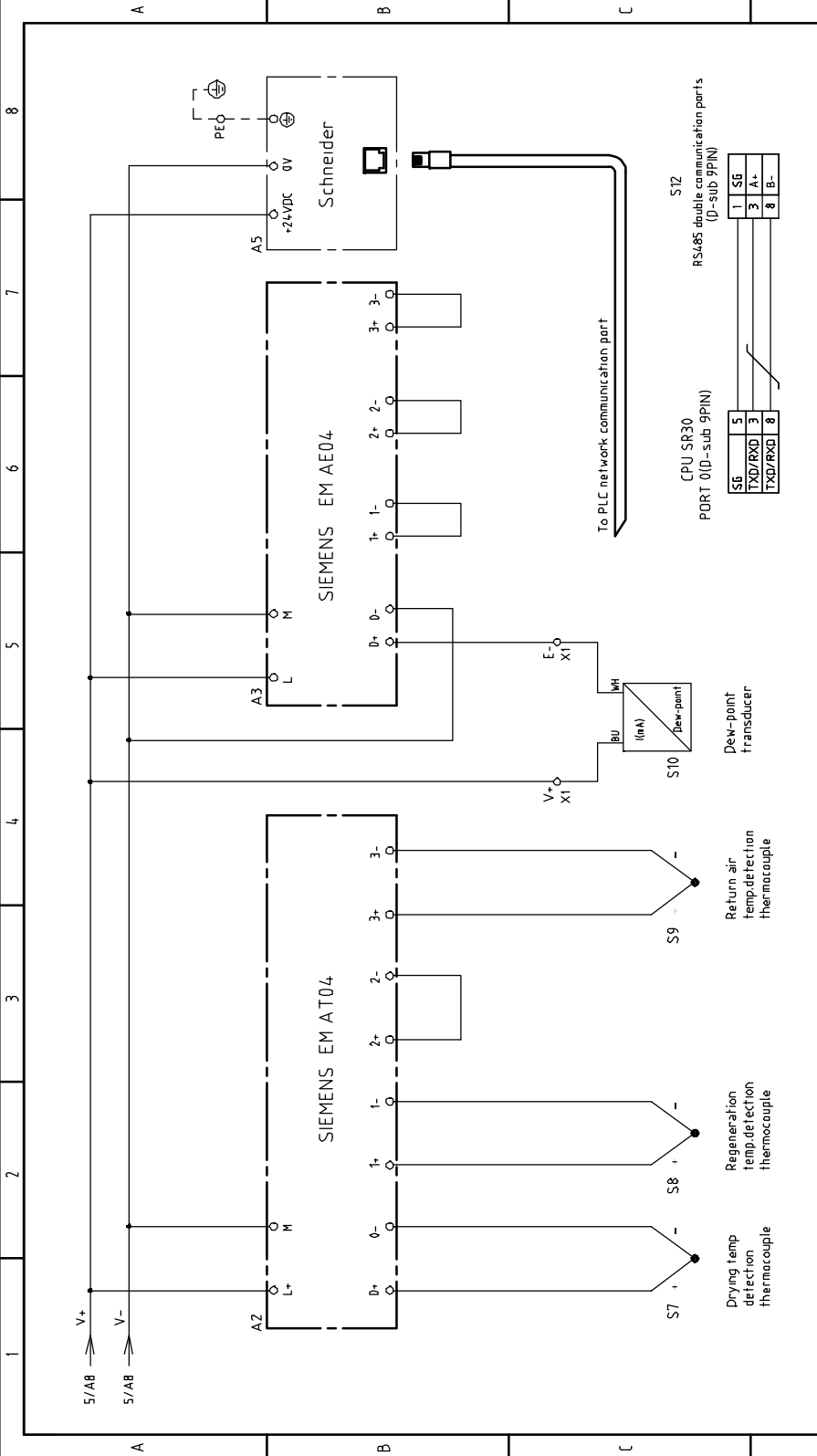
120V/120H整機版本 Ver A | 160V/120H整機版本 Ver E | 230V/120H整機版本 Ver D

Mark	Before modification	After modification	Modified by	Modify date	Checked by	Approved by	Version
				20170817			G

Title: SCD-120U160U1230U/120H-LC  
 Electrical Diagram 5  
 Drawing No.: SCD-120U160U1230U/120H-LC-CE-230V-G-5



Scale	Page
CE	5
Standards	Totally 10
Standards	Pages
Standards	230V
Standards	50Hz



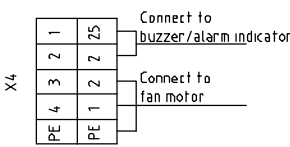
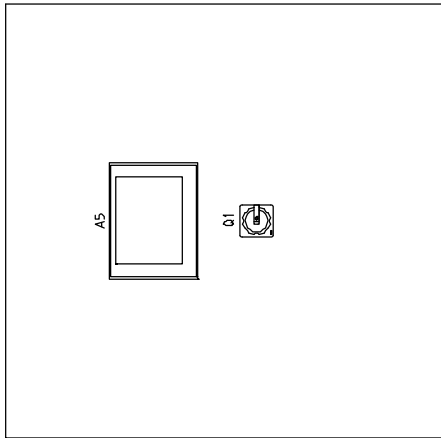
Mark	Before modification	After modification	Modified by	Modify date	Checked by	Prepared by	Designer	Version	Approved by
				20170817				G	

1200/120H 整機版本 Ver A 1600/120H 整機版本 Ver E 2300/120H 整機版本 Ver D	
Scale	Page 6
Standard	Totally 10 Pages
Standard	CE
Standard	230V
Standard	50HZ

**SHINI**  
 信易理熱機城股份有限公司  
 Shini Plastics Technologies, Inc.

Drawing NO.	
SCD-1200U160U(2300)/120H-LC	
Electrical Diagram 6	
SCD-1200U160U(2300)/120H-LC-CE-230V-G-6	





**X3**

9	8	7	PE	Connect to material level sensor 1
10	V+	V+	PE	Connect to material level sensor 2
11	V-	V-	PE	Connect to material level sensor 3

**X2**

3	20	21	22	25	19	PE	Connect to shut off valve 2(Optional)
4	2	2	2	2	2	PE	Connect to shut off valve 1
5	2	2	2	2	2	PE	Connect to diaphragm valve 3(Optional)
6	2	2	2	2	2	PE	Connect to diaphragm valve 2
7	2	2	2	2	2	PE	Connect to diaphragm valve 1
8	PE	PE	PE	PE	PE	PE	Connect to honeycomb rotor motor

**X1**

28	27	26	25	24	23	22	21	20	19	18	17	16	15	14	13	12	11	10	9	8	7	6	5	4	3	2	1	PE	Connect to power lines																																																																								
29	V+	E-	V-	V-	V-	V-	V-	V-	V-	V-	V-	V-	V-	V-	V-	V-	V-	V-	V-	V-	V-	V-	V-	V-	V-	V-	V-	V-	PE	Connect to drying blower																																																																							
30	31	32	33	34	35	36	37	38	39	40	41	42	43	44	45	46	47	48	49	50	51	52	53	54	55	56	57	58	59	60	61	62	63	64	65	66	67	68	69	70	71	72	73	74	75	76	77	78	79	80	81	82	83	84	85	86	87	88	89	90	91	92	93	94	95	96	97	98	99	100	PE	Connect to regeneration heater																													
101	102	103	104	105	106	107	108	109	110	111	112	113	114	115	116	117	118	119	120	121	122	123	124	125	126	127	128	129	130	131	132	133	134	135	136	137	138	139	140	141	142	143	144	145	146	147	148	149	150	151	152	153	154	155	156	157	158	159	160	161	162	163	164	165	166	167	168	169	170	171	172	173	174	175	176	177	178	179	180	181	182	183	184	185	186	187	188	189	190	191	192	193	194	195	196	197	198	199	200	PE	Connect to suction motor
201	202	203	204	205	206	207	208	209	210	211	212	213	214	215	216	217	218	219	220	221	222	223	224	225	226	227	228	229	230	231	232	233	234	235	236	237	238	239	240	241	242	243	244	245	246	247	248	249	250	251	252	253	254	255	256	257	258	259	260	261	262	263	264	265	266	267	268	269	270	271	272	273	274	275	276	277	278	279	280	281	282	283	284	285	286	287	288	289	290	291	292	293	294	295	296	297	298	299	300	PE	Connect to regeneration blower

1200/120H整机版本 Ver.A 1600/120H整机版本 Ver.E 2300/120H整机版本 Ver.D

Drawn:	Version:	G	20170817
Designer:	Approved by:		
Checked by:	Modify date:		
Before modification:	After modification:		

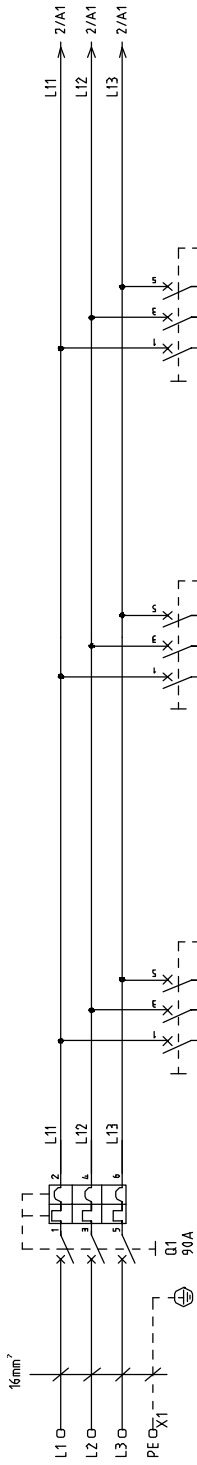
Scale:	Standard	CE	Page 7
Standard:	Voltage	Frequency	Totally 10 Pages
	230V	50HZ	











16mm<sup>2</sup>  
 3/PE/230V 50Hz  
 90A

L11 L12 L13  
 L21 L22 L23  
 L31 L32 L33

Q1 90A  
 Q2 40A  
 Q3 20A

L41 L42 L43  
 L31 L32 L33  
 L21 L22 L23

K1 K2 K3  
 K4 K5 K6

F1 F2 F3  
 F4 F5 F6

RANGES S-4A  
 SET 6.6A

2.5mm<sup>2</sup>  
 6.0mm<sup>2</sup>  
 2.5mm<sup>2</sup>

U1 V1 W1 PE  
 X1 Y1 Z1  
 U4 V4 W4 PE  
 X4 Y4 Z4  
 U5 V5 W5 PE  
 X5 Y5 Z5

M1 3~  
 EH1  
 EH2

P=1.5kW  
 IN=6.6A  
 Drying blower

P=4kW  
 IN=10A  
 Regeneration heater

P=12kW  
 IN=31A  
 Drying heater

Note: For 60Hz, the regenerative heater is 6kW

SHINI 信易塑料城股份有限公司  
 Shini Plastics Technologies, Inc.

SCD-300U/450U/200H-LC  
 Electrical Diagram 1

Version H  
 Approved by  
 Date 20170817

Designer  
 Checked by  
 Modified by  
 After modification  
 Before modification

Meaning date  
 20170817

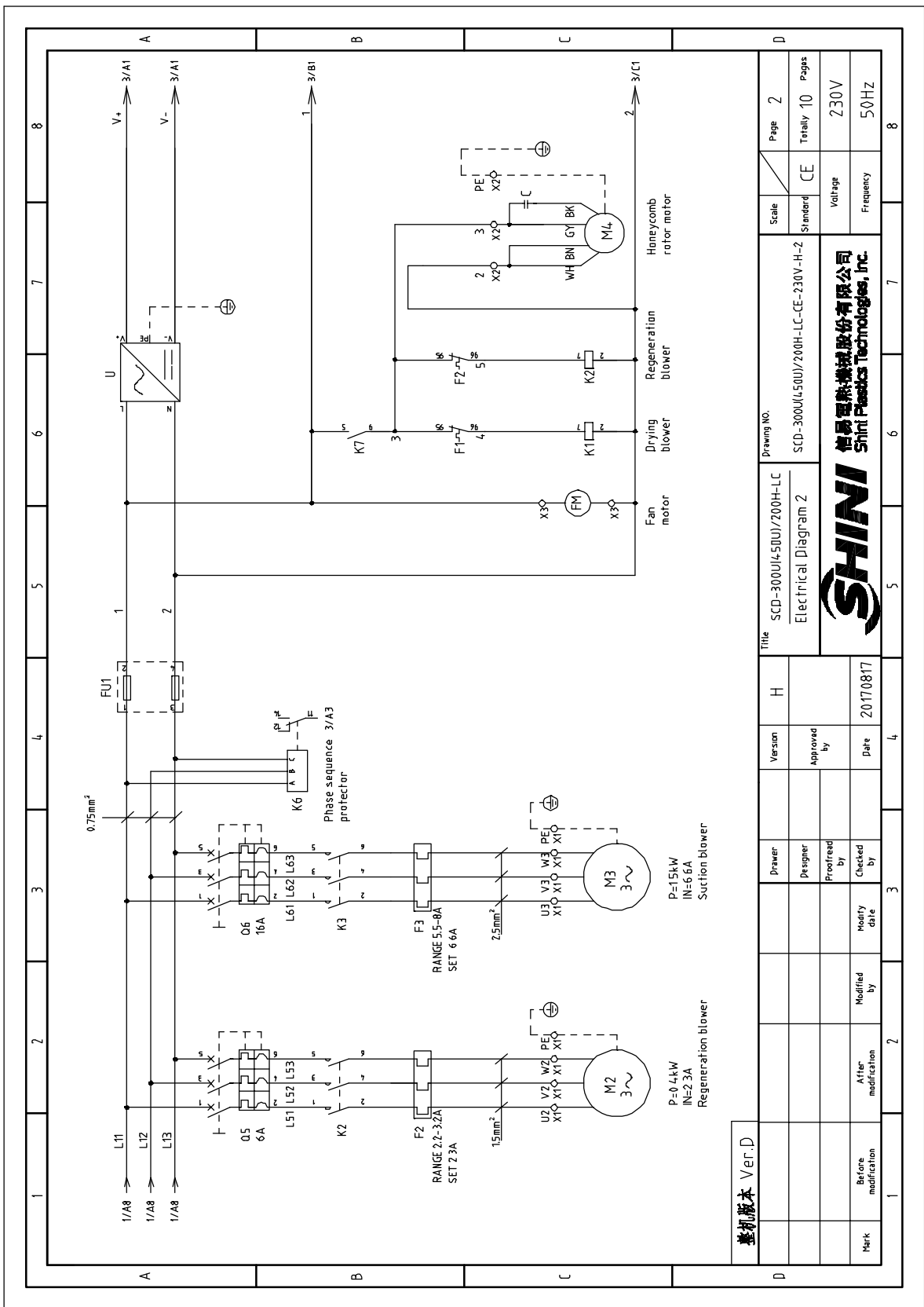
Scale  
 Standard CE  
 Voltage 230V  
 Frequency 50Hz

Page 1  
 Totaly 10 Pages

SHINI 信易塑料城股份有限公司  
 Shini Plastics Technologies, Inc.

Page 1  
 Totaly 10 Pages  
 Voltage 230V  
 Frequency 50Hz

SHINI 信易塑料城股份有限公司  
 Shini Plastics Technologies, Inc.



蓋机版本 Ver.D

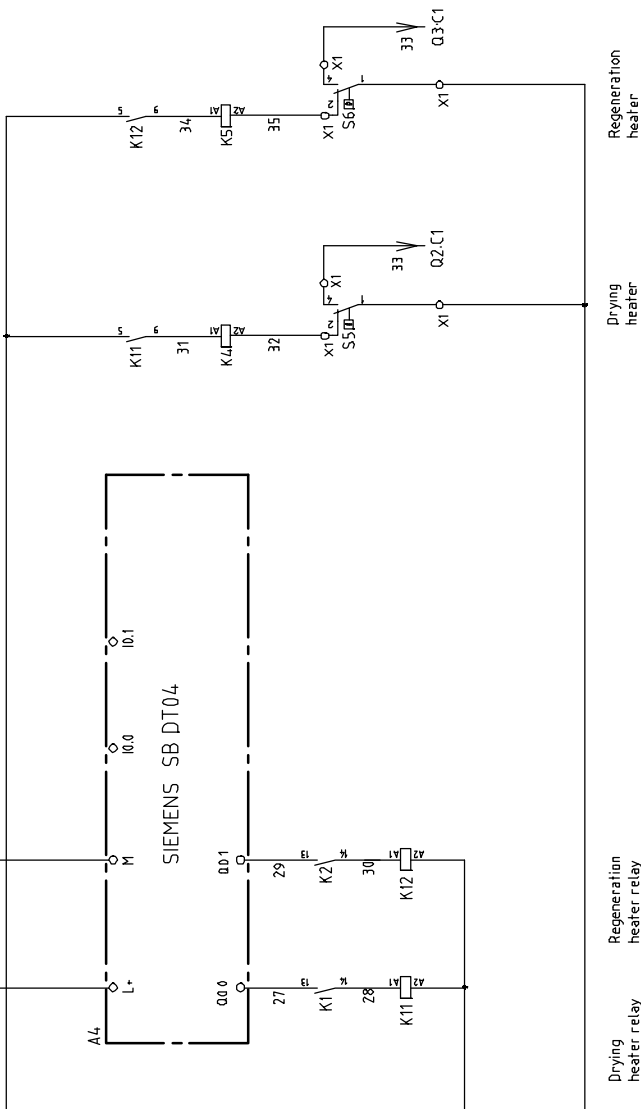
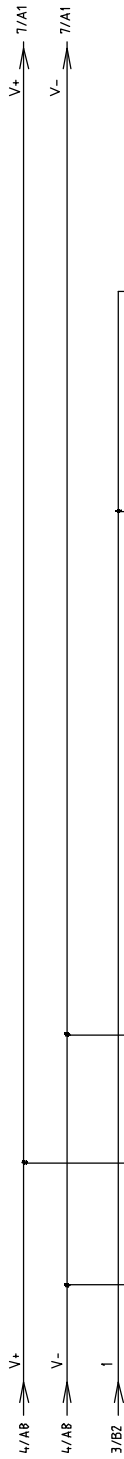
Mark	Before modification	Modified by	2	1	3	4	5	6	7	8	
Designer		Approved by		H							
Checked by		Checked by									
Modified by		Modified by									
Majority date		Majority date									
Date		Date									
Version		Version									
Drawer		Designer									
Prepared by		Checked by									
Drawn		Checked by									
Title		Drawing No.		Scale		Page		Standards		Totally	
SCD-300U/L50U/200H-LC		SCD-300U/L50U/200H-LC-CE-230V-H-2		Standards		CE		Voltage		230V	
Electrical Diagram 2				Frequency		50HZ		Page		2	
								Totally		10	











最新版本 Ver.D

Mark	Before modification	After modification	Modified by	Modify date	Checked by	Designer	Drawer	Version	H	Title	SCD-300U(450U)/200H-LC Electrical Diagram 5	Drawing NO.	SCD-300U(450U)/200H-LC-CE-230V-H-5	Scale	CE	Page	5
				20170817	Approved by									Standard	CE	Totally	10
																Voltage	230V
																Frequency	50HZ



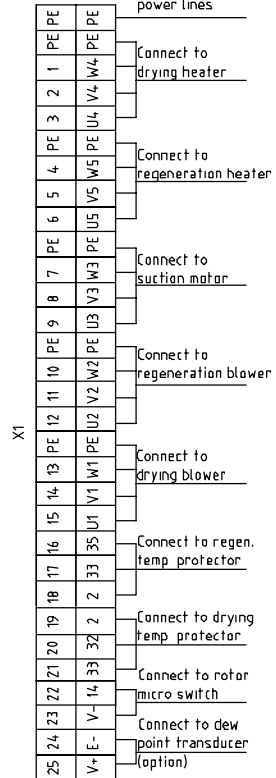
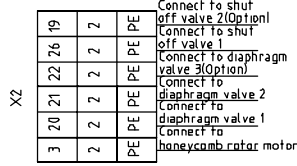
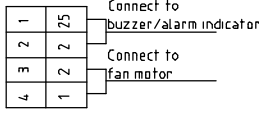
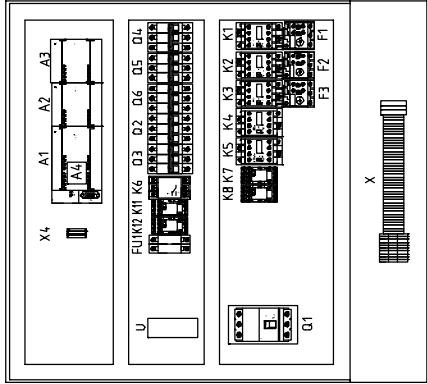
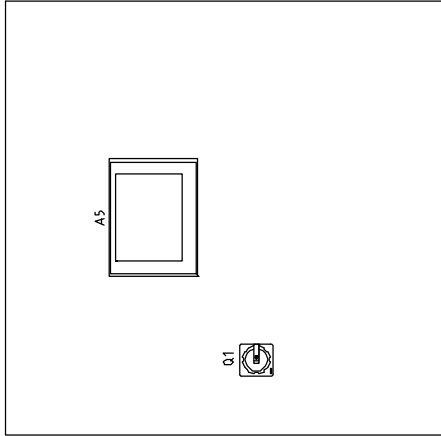


A

B

C

D



整机版本 Ver.D

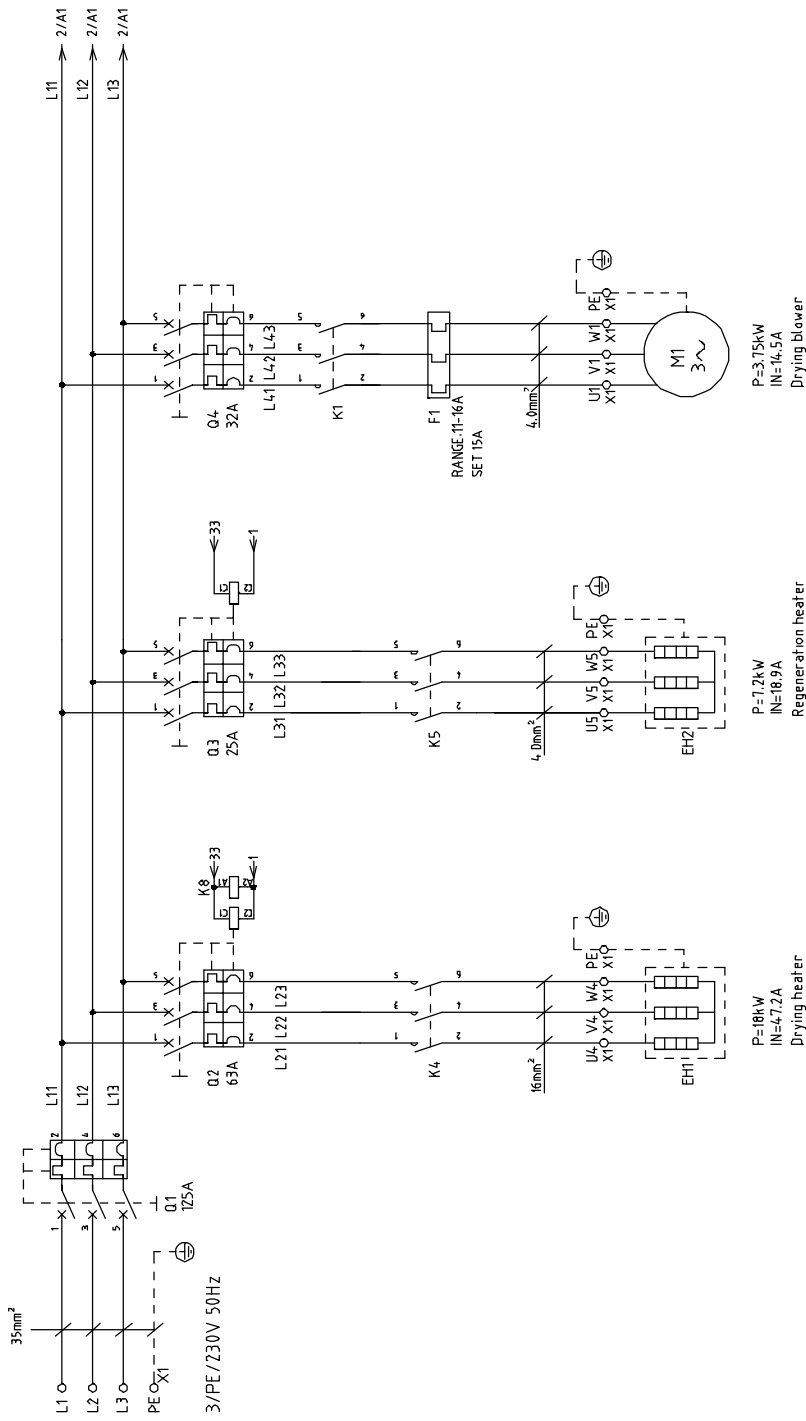
Scale	Page	7
Standard	Totally	10 Pages
CE	Voltage	230V
	Frequency	50HZ
Drawing NO. SCD-300U(500)/Z00H-LC		
Title SCD-300U(500)/Z00H-LC Electrical Components Layout		
Version	H	
Approved by		
Designer		
Checked by		
Drawn		
Modified by		
After modification		
Before modification		
Mark		
	20170817	
	DATE	



1	2	3	4	5	6	7	8		
NO	Symbol	Name	Manufacturer	Type	Specification	Number	Material number	Remark	
1	Q1	Main switch	ABB	A1A125TMF90	90A	1	YE41109200000		
2	Q2	Circuit-breaker	TECO	BM-63C 3P	40A	1	YE40304003000		
3	Q3	Circuit-breaker	TECO	BM-63C 3P	20A	1	YE40302003000	A	
4		Excitation release	CHINT	MX	220V 50/60HZ	2	YE40023560000		
5	Q4 Q5	Circuit-breaker	TECO	BM-63C 3P	16A	2	YE40301603000		
6	Q6	Circuit-breaker	TECO	BM-63C 3P	6A	1	YE40300603000		
7	K1	Contact	SIEMENS	3RT6016-1AN21	9A 220V 50/60HZ	1	YE00601621000		
8	K2	Contact	SIEMENS	3RT6016-1AN21	9A 220V 50/60HZ	1	YE00601621000		
9	K3	Contact	SIEMENS	3RT6016-1AN21	9A 220V 50/60HZ	1	YE00601621000		
10	K4	Contact	SIEMENS	3RT6028-1AN20	38A 220V 50/60HZ	1	YE00602822000		
11	K5	Contact	SIEMENS	3RT6018-1AN21	16A 220V 50/60HZ	1	YE00601821000	B	
12	K6	Phase relay	CHAOSHI	ABJ-10W	230V 50/60HZ	1	YE03102200000		
13	K7 K8	Relay	WEIDMULLER	DRM270730LT	220V 50/60HZ	2	YE03270700000		
14	K11 K12	Relay	WEIDMULLER	DRM270724LT	24V DC	2	YE03272400000		
15	F1	Overload relay	SIEMENS	3RU6116-1HB0	55-8A	1	YE01160550000		
16	F2	Overload relay	SIEMENS	3RU6116-1DB0	2.2-3.2A	1	YE01160220000		
17	F3	Overload relay	SIEMENS	3RU6116-1HB0	55-8A	1	YE01160550000		
18	A1	PLC	SIEMENS	CPU SR30 AC/DC/RLY	100-230VAC 50/60HZ	1	YE81003006000		
19	A2	PLC Analog module	SIEMENS	4-point thermocouple temp. module EP1A104	--	1	YE82100400300	C	
20	A3	PLC Analog module	SIEMENS	4-point input analog quantity module EP1AE04	--	1	YE82100400100	(2)	
21	A4	PLC Analog module	SIEMENS	Circuit board for signal expansion SB D104	--	1	YE90100401300		
22	A5	Human-machine interface	SCHNEIDER	GXU5512	24VDC	1	YE80351200200		
23	FU1	Fuse base	CHINT	RT1B-32	2P	1	YE41032200000		
24		Fuse	CHINT	10x38 500V	2A	2	YE46002000100		
25	U	DC power	MEAN WELL	NES-35-24	OUT=DC24V 15A	1	YE71352400100		
<b>整版版本 Ver.D</b> Notes: 1)Means it's not the material inside the control box 2)Stands for optional									
				Title SCD-300U(450U)/200H-LC Electrical Components List 1		Drawing NO. SCD-300U(450U)/200H-LC-CE-230V-H-8		Scale Standard CE	
				Version H		Voltage 230V		Page 8	
				Approved by		Frequency 50HZ		Totally 10 Pages	
				Checked by		Date 20170817			
				Modified by		Modify date			
				After modification					
				Before modification					
				Designer					
				Proofread by					
				Drawer					
				Version					
				Approved by					
				Checked by					
				Date 20170817					
				Date					
				Approved by					
				Version					
				Approved by					
				Checked by					
				Date 20170817					
				Date					
				Approved by					
				Version					
				Approved by					
				Checked by					
				Date 20170817					
				Date					
				Approved by					
				Version					
				Approved by					
				Checked by					
				Date 20170817					
				Date					
				Approved by					
				Version					
				Approved by					
				Checked by					
				Date 20170817					
				Date					
				Approved by					
				Version					
				Approved by					
				Checked by					
				Date 20170817					
				Date					
				Approved by					
				Version					
				Approved by					
				Checked by					
				Date 20170817					
				Date					
				Approved by					
				Version					
				Approved by					
				Checked by					
				Date 20170817					
				Date					
				Approved by					
				Version					
				Approved by					
				Checked by					
				Date 20170817					
				Date					
				Approved by					
				Version					
				Approved by					
				Checked by					
				Date 20170817					
				Date					
				Approved by					
				Version					
				Approved by					
				Checked by					
				Date 20170817					
				Date					
				Approved by					
				Version					
				Approved by					
				Checked by					
				Date 20170817					
				Date					
				Approved by					
				Version					
				Approved by					
				Checked by					
				Date 20170817					
				Date					
				Approved by					
				Version					
				Approved by					
				Checked by					
				Date 20170817					
				Date					
				Approved by					
				Version					
				Approved by					
				Checked by					
				Date 20170817					
				Date					
				Approved by					
				Version					
				Approved by					
				Checked by					
				Date 20170817					
				Date					
				Approved by					
				Version					
				Approved by					
				Checked by					
				Date 20170817					
				Date					
				Approved by					
				Version					
				Approved by					
				Checked by					
				Date 20170817					
				Date					
				Approved by					
				Version					
				Approved by					
				Checked by					
				Date 20170817					
				Date					
				Approved by					
				Version					
				Approved by					
				Checked by					
				Date 20170817					
				Date					
				Approved by					
				Version					
				Approved by					
				Checked by					
				Date 20170817					
				Date					
				Approved by					
				Version					
				Approved by					
				Checked by					
				Date 20170817					
				Date					
				Approved by					
				Version					
				Approved by					
				Checked by					
				Date 20170817					
				Date					
				Approved by					
				Version					
				Approved by					
				Checked by					
				Date 20170817					
				Date					
				Approved by					
				Version					
				Approved by					
				Checked by					
				Date 20170817					
				Date					
				Approved by					
				Version					
				Approved by					
				Checked by					
				Date 20170817					
				Date					
				Approved by					
				Version					
				Approved by					
				Checked by					
				Date 20170817					
				Date					
				Approved by					
				Version					
				Approved by					
				Checked by					
				Date 20170817					
				Date					
				Approved by					
				Version					
				Approved by					
				Checked by					
				Date 20170817					
				Date					
				Approved by					
				Version					
				Approved by					
				Checked by					
				Date 20170817					
				Date					
				Approved by					
				Version					
				Approved by					
				Checked by					
				Date 20170817					
				Date					
				Approved by					
				Version					
				Approved by					
				Checked by					
				Date 20170817					
				Date					
				Approved by					
				Version					
				Approved by					





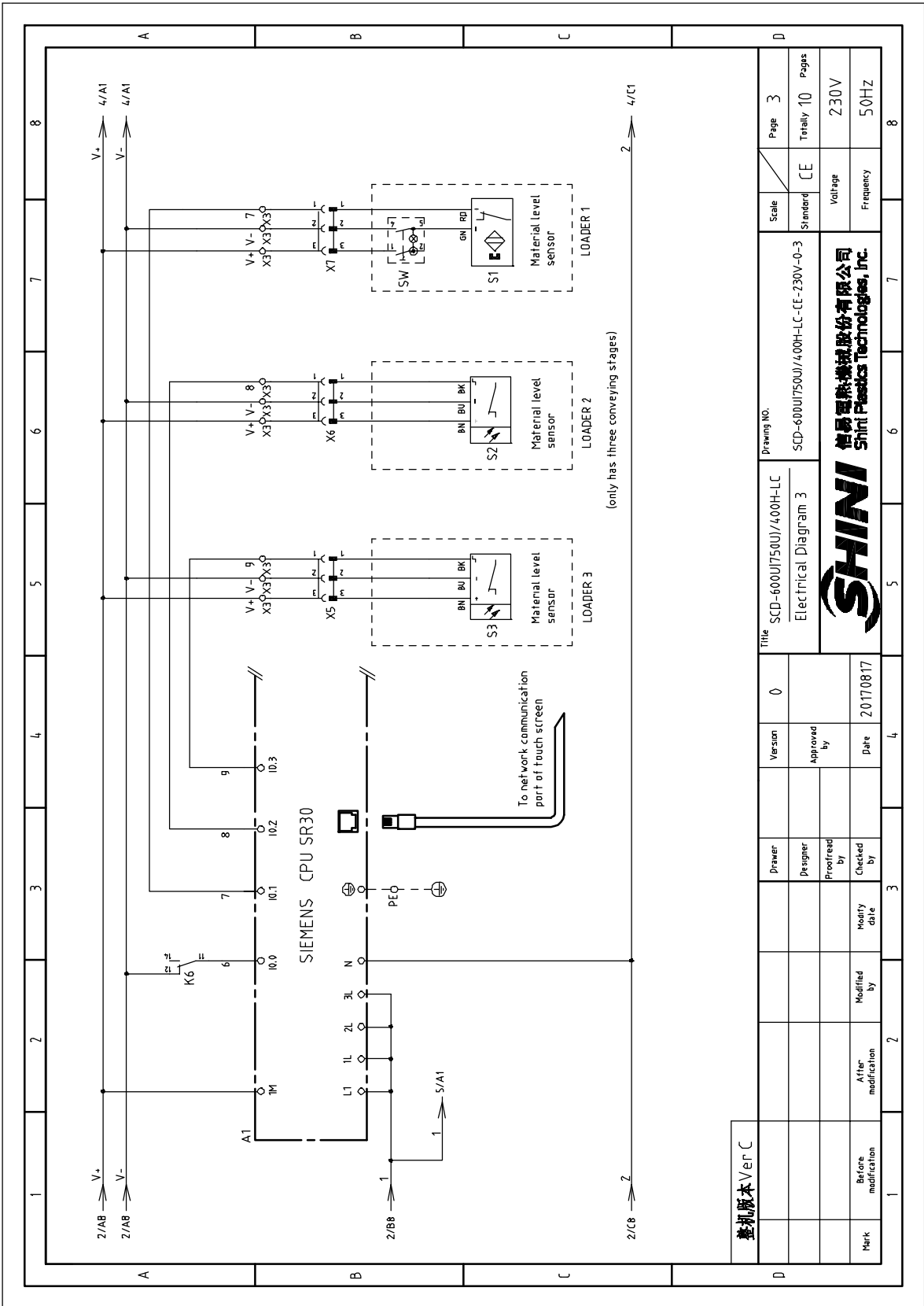


臺灣版本 Ver C

Mark	Before modification	Modified by	Hearty date	Checked by	Designer	Version	0	Drawing No.	SCD-600U(750U)/400H-LC		
			20170817	Approved by				Electrical Diagram 1		Scale	1:1
								Title		Standard	CE
								SCD-600U(750U)/400H-LC-CE-230V-0-1		Sheet	10
								SHINI 信易理熱機械股份有限公司 Shini Plastics Technologies, Inc.		Voltage	230V
										Frequency	50Hz







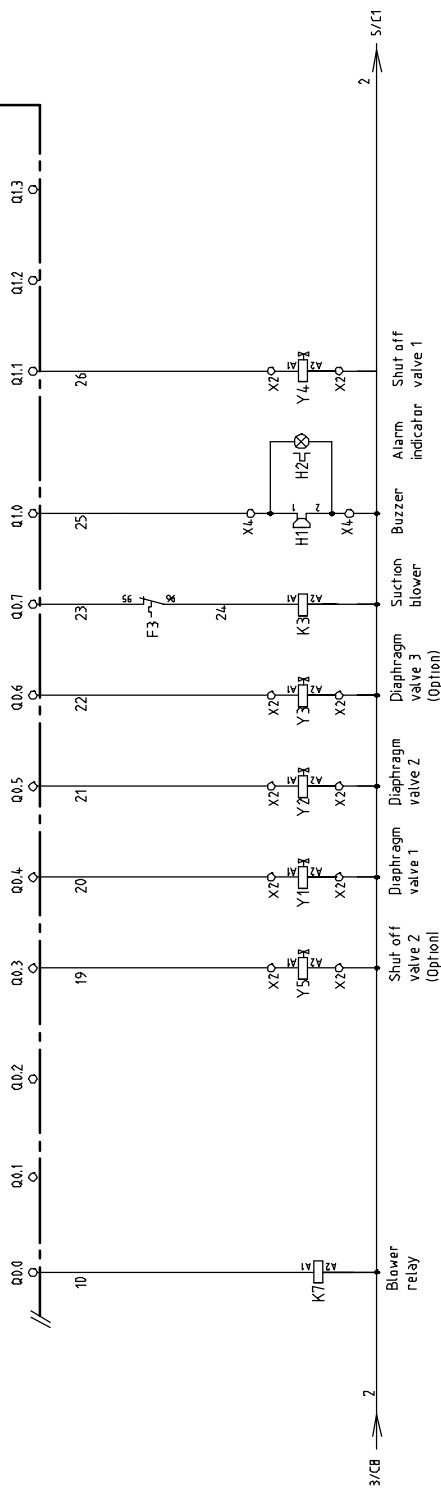
整机版本 Ver C

Mark	Before modification	After modification	Modified by	Modify date	Checked by	Designed by	Drawer	Version	0	Title	SCD-600U/750U/400H-LC Electrical Diagram 3	Scale	CE	Page	3
				20170817	Approved by					Drawing No.	SCD-600U/750U/400H-LC-CE-230V-0-3	Standard	CE	Totally	10
														Voltage	230V
														Frequency	50HZ





SIEMENS CPU SR30

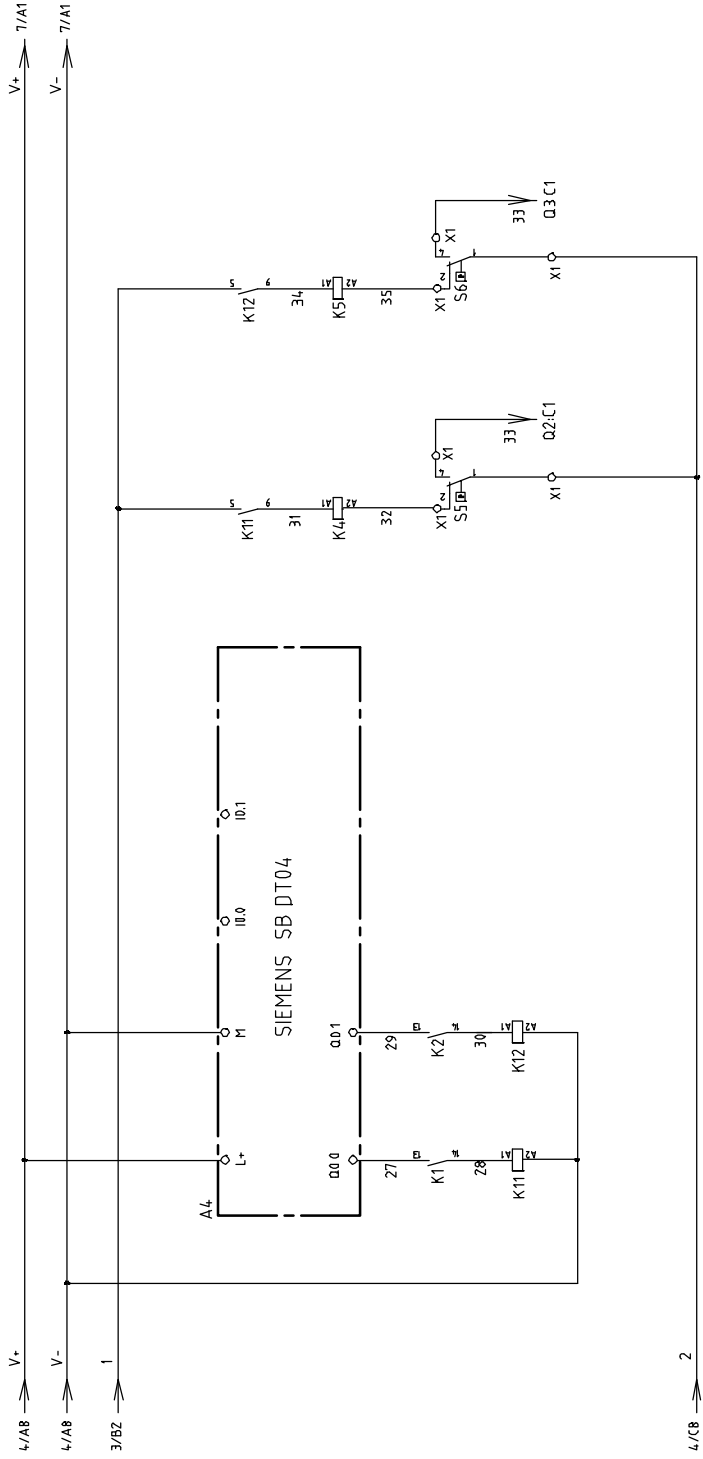


Note When not optional with M2, the Line No 19 is changed to Line No 26

臺機版本 Ver. C

Mark	Before modification	After modification	Modified by	Modify date	Checked by	Prepared by	Designer	Version	0	Title SCD-600U(750U)/400H-LC Electrical Diagram 4	Drawing No. SCD-600U(750U)/400H-LC-CE-230V-0-4	Scale Standard	Page 4
				20170817				Approved by				CE	Totally 10 Pages
													Frequency 50HZ
													Voltage 230V





最新版本 Ver.C

Mark	Before modification	After modification	Modified by	Modify date	Checked by	Designer	Drawer	Version	0	Title	SCD-600U/750U/400H-LC Electrical Diagram 5	Drawing No.	SCD-600U/750U/400H-LC-CE-230V-0-5	Scale	CE	Page	5
				20170817				Approved by						Standard	CE	Totally	10
																Volage	230V
																Frequency	50Hz

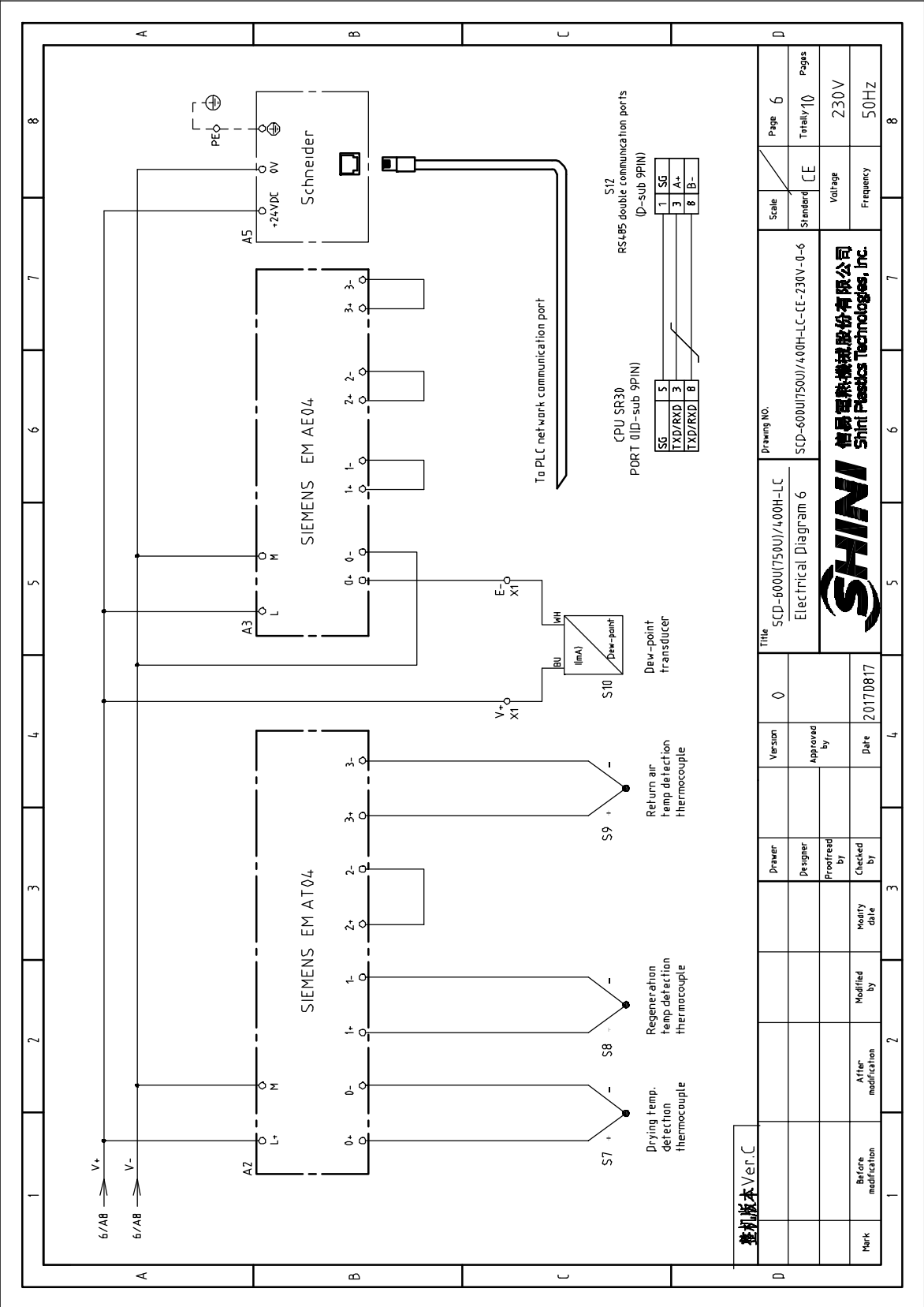


1 2 3 4 5 6 7 8

A B C D

1 2 3 4 5 6 7 8

Drying heater-relay      Regeneration heater-relay      Drying heater      Regeneration heater



整打版本 Ver.C

Mark	Before modification	After modification	Modify date	Checked by	Approved by	Version	0	Title	SCD-600U(750U)/400H-LC Electrical Diagram 6	Drawing No.	SCD-600U(750U)/400H-LC-CE-230V-0-6	Scale	CE	Page	6
			20170817									Standard	CE	Totally	10
														Voltage	230V
														Frequency	50HZ



SG	5	1	SG
TXD/RXD	3	3	A+
TXD/RXD	8	8	B-

S12  
CPU SR30  
PORT (ID-sub 9PIN)  
RS485 double communication ports  
(D-sub 9PIN)

To PLC network communication port

S7  
Drying Temp. detection thermocouple

S8  
Regeneration temp detection thermocouple

S9  
Return air temp detection thermocouple

S10  
Dew-point transducer

SIEMENS EM AT04

SIEMENS EM AE04

Schneider

+24VDC

6/AB V+  
6/AB V-

A3 L  
A5 0

PE

8

7

6

5

4

3

2

1

8

7

6

5

4

3

2

1

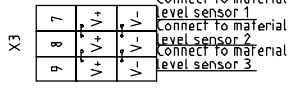
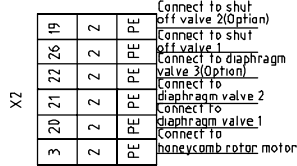
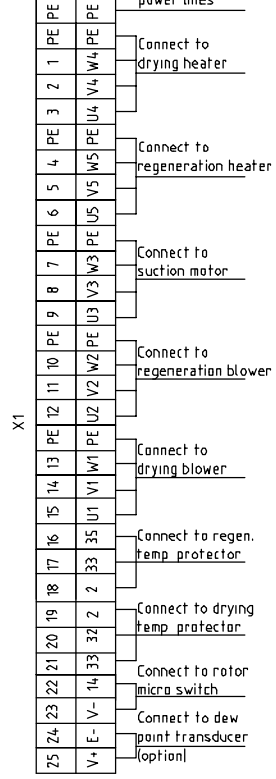
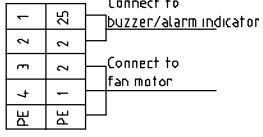
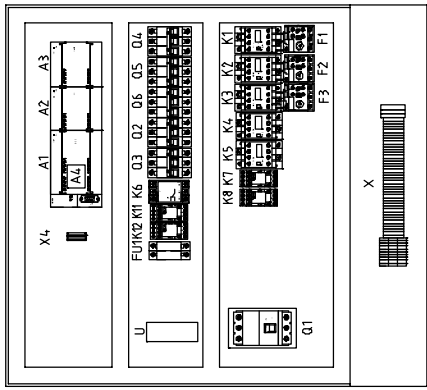
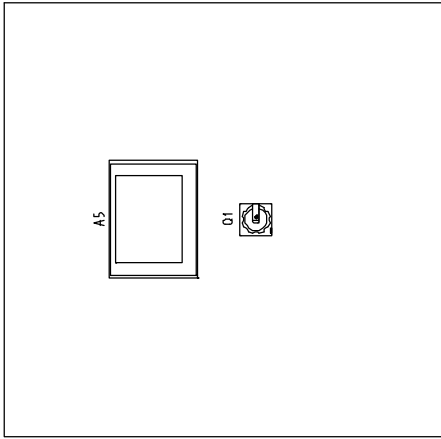
1 2 3 4 5 6 7 8

A

B

C

D



Scale	Standard	Page	7
Standard	CE	Totally	10
Voltage			230V
Frequency			50HZ

Drawing No.	SCD-600U(750U)/400H-LC		
Title	SCD-600U(750U)/400H-LC Electrical Components Layout		
Version	0	Approved by	
Designer		Checked by	20170817
Drawn		Modify date	
Before modification		Modified by	
After modification			



基本版本 Ver.C

1 2 3 4 5 6 7 8

B

C

D

1	2	3	4	5	6	7	8		
No	Symbol	Name	Manufacturer	Type	Specification	Number	Material number	Remark	
1	Q1	Main switch	ABB	A1A125TMF125	125A	1	YE411614-00000		
2	Q2	Circuit-breaker	TECO	BM-63C 3P	63A	1	YE40306303000		
3	Q3	Circuit-breaker	TECO	BM-63C 3P	25A	1	YE40302503000	A	
4		Excitation release	CHINT	MX	220V 50/60Hz	2	YE40023560000		
5	Q4	Circuit-breaker	TECO	BM-63C 3P	32A	1	YE40303203000		
6	Q5	Circuit-breaker	TECO	BM-63C 3P	10A	1	YE40301003000		
7	Q6	Circuit-breaker	TECO	BM-63C 3P	16A	1	YE40301603000		
8	K1	Contact	SIEMENS	3RT6025-1ANZ1	17A 220V 50/60Hz	1	YE00602522000		
9	K2	Contact	SIEMENS	3RT6016-1ANZ1	9A 220V 50/60Hz	1	YE00601621000		
10	K3	Contact	SIEMENS	3RT6016-1ANZ1	9A 220V 50/60Hz	1	YE00601621000		
11	K4	Contact	SIEMENS	3RT5044-1ANZ0	65A 220V 50/60Hz	1	YE005044-00000	B	
12	K5	Contact	SIEMENS	3RT6027-1ANZ0	32A 220V 50/60Hz	1	YE00602722000		
13	K6	Phase relay	CHAOSHI	ABJ-10W	230V 50/60Hz	1	YE03102200000		
14	K7 K8	Relay	WEIDMULLER	DRM270730LT	220V 50/60Hz	2	YE03270700000		
15	K11 K12	Relay	WEIDMULLER	DRM270724LT	24V DC	2	YE032724-00000		
16	F1	Overload relay	SIEMENS	3RU6126-4AB0	11-16A	1	YE01260110000		
17	F2	Overload relay	SIEMENS	3RU6116-1FB0	3.5-5A	1	YE01160350000		
18	F3	Overload relay	SIEMENS	3RU6116-1HB0	5.5-8A	1	YE01160550000		
19	A1	PLC	SIEMENS	CPU SR30 AC/DC/RLY	100-230VAC 50/60Hz	1	YE81003006000	C	
20	A2	PLC Analog module	SIEMENS	4-point thermocouple Temp module EM AI04	--	1	YE82000400300		
21	A3	PLC Analog module	SIEMENS	4-point input analog quantity module EM AE04	--	1	YE82000400100	(2)	
22	A4	PLC Analog module	SIEMENS	Circuit board for signal expansion SB DT04	--	1	YE90000401300		
23	A5	Human-machine interface	SCHNEIDER	GXU3512	24VDC	1	YE80351200200		
24	FU1	Fuse base	CHINT	RT1B-32	2P	1	YE41032200000		
25		Fuse	CHINT	10x38 500V	2A	2	YE4600200100		
整机版本 Ver.C Notes (1)Means it's not the material inside the control box. (2)Stands for optional.									
Drawing NO. SCD-600U1750UJ/400H-LC				Title SCD-600U1750UJ/400H-LC		Scale Standard		Page 8	
Electrical Components List 1				SCD-600U1750UJ/400H-LC-CE-230V-0-8		Standard CE		Voltage 230V	
20170817				Date		Frequency 50Hz		Pages 10	
Before modification		Modified by		Modify date		After modification		Voltage 230V	
20170817		Date		Approved by		Frequency 50Hz		Pages 8	
Designer				Version		Standard CE		Voltage 230V	
Proofread by				Approved by		Frequency 50Hz		Pages 8	
Checked by				Date		Voltage 230V		Frequency 50Hz	
Modified by				Date		Voltage 230V		Frequency 50Hz	
Modify date				Date		Voltage 230V		Frequency 50Hz	

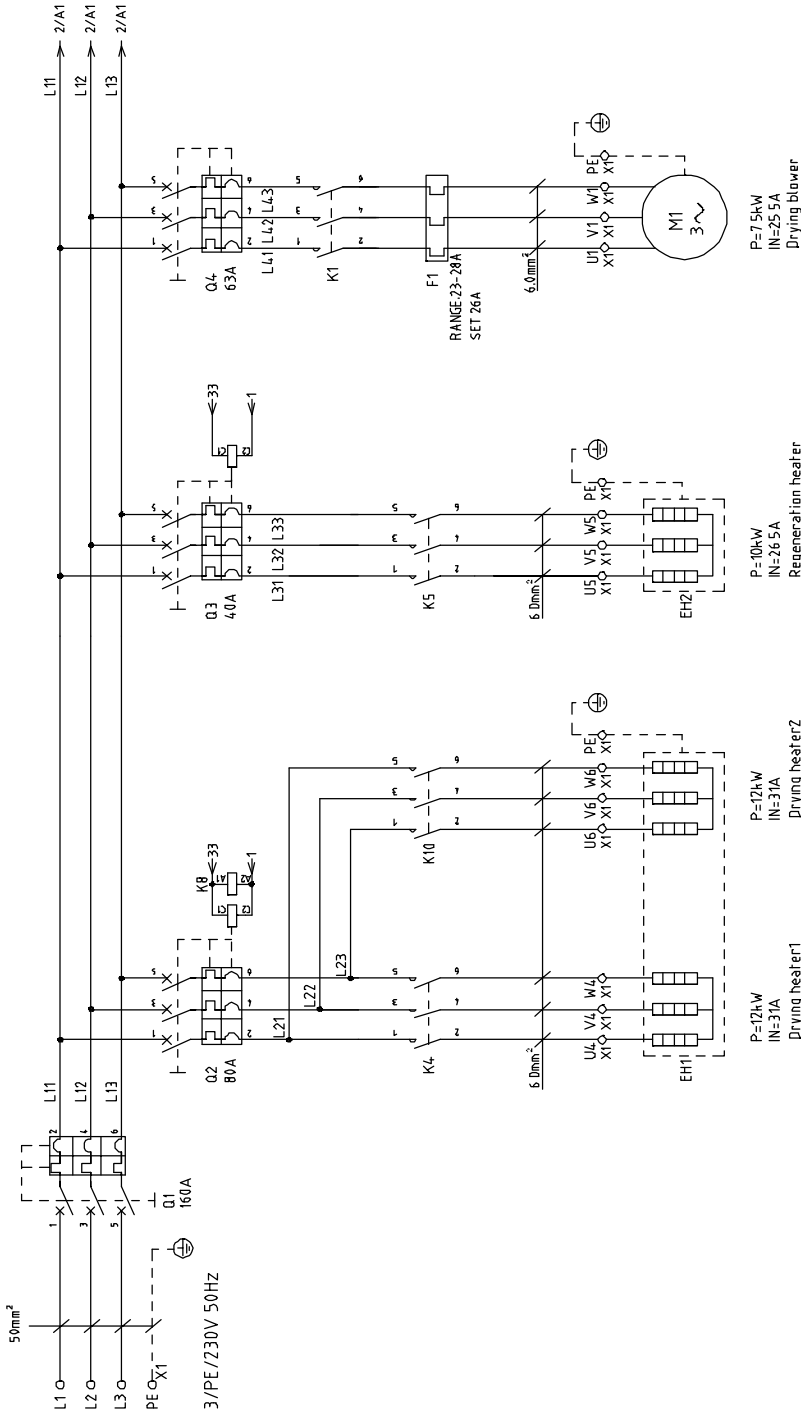


**SHINI**  
 信昌塑料机械股份有限公司  
 Shini Plastics Technologies, Inc.

1		2		3		4		5		6		7		8	
NO	Symbol	Name	Manufacturer	Type	Specification	Number	Material number	Remark							
26	U	DC power	MEAN WELL	NES-35-24	OUT=DC24V 15A	1	YE71352400100								
27	S1	Reed switch	FOTEK	FC-12V	24VDC	1	-----	(1)							
28	S2 S3	Photoelectric switch	FOTEK	T18-3MNB-PE	24VDC	2	-----	(1)							
29	S4	Micro switch	TEND	LXW5-11G1	250V 514/A	1	-----	(1)							
30	S5	Temperature protector	----	-----	250V 514/A	1	-----	(1)							
31	S6	Temperature protector	----	-----	250V 514/A	1	-----	(1)							
32	S7 S8 S9	Thermocouple	SHINI	ST-K	K	3	-----	(1)							
33	S10	Dew-point transducer	CS	CS 211-OEM	POWER=24VDC OUT=4-20mA	1	YE90021700100	(2)							
34	Y1-Y5	Solenoid valve	---	MSFW-230-50/60	220V 50/60Hz	5	-----	(1)							
35	H1	Buzzer	HITPOINT	PF-35A	60-250V	1	YE84003500200	(1)							
36	H2	Alarm indicator	SHINI	LED-3051	220V 50/60Hz	1	YE83305100200	(1)							
37	X1 X2 X4	Terminal board	--	16mm <sup>2</sup> PE	-	1	YE61163500000								
38				16mm <sup>2</sup>	57A 690V	3	YE61166000000								
39				35mm <sup>2</sup> PE	-	1	YE60003503500								
40				4mm <sup>2</sup>	4-1A 690V	12	YE61040000000								
41				4mm <sup>2</sup> PE	-	4	YE61043500000								
42				2.5mm <sup>2</sup>	32A 690V	20	YE61250040000								
43				2.5mm <sup>2</sup> PE	-	5	YE61253500000								
44				2.5mm <sup>2</sup>	32A 690V	6	YE60002503200	(2)							
45				2.5mm <sup>2</sup> PE	-	2	YE60002503400	(2)							
46	X3	Terminal board	----	Terminal SK2.5-TL	10A 250V	9	YE60001500000								
47				FBSTB 10-ZDIK RD	10A 250V	9	YE60001000200								
48				FBSTB 10-ZDIK BU	10A 250V	9	YE60001000000								
49	X5 X6 X7	Heavy duty connector	WEIN	HDC-HA-004.1	4P 10A	3	YE6804.1000100	(1)							
50	FM	Fan	SUNON	DP-200A	230VAC 40W	1	YM60121200400	(1)							
<b>差机版本 Ver.C</b> Notes: (1)Means it's not the material inside the control box (2)Stands for optional															
		Drawer		Version		Title		Drawing No.		Scale		Page		9	
		Designer		Approved by		SCD-600U(750U)/400H-LC		SCD-600U(750U)/400H-LC-CE-230V-0-9		Standard		CE		Totally 10 Pages	
		Proofread by		Date		Electrical Components List 2				Veltage		230V			
		Checked by		Date		SHINI		SHINI Plastics Technologies, Inc.		Frequency		50Hz			
Mark		Before modification		Modified by		20170817									







整機版本 Ver.F

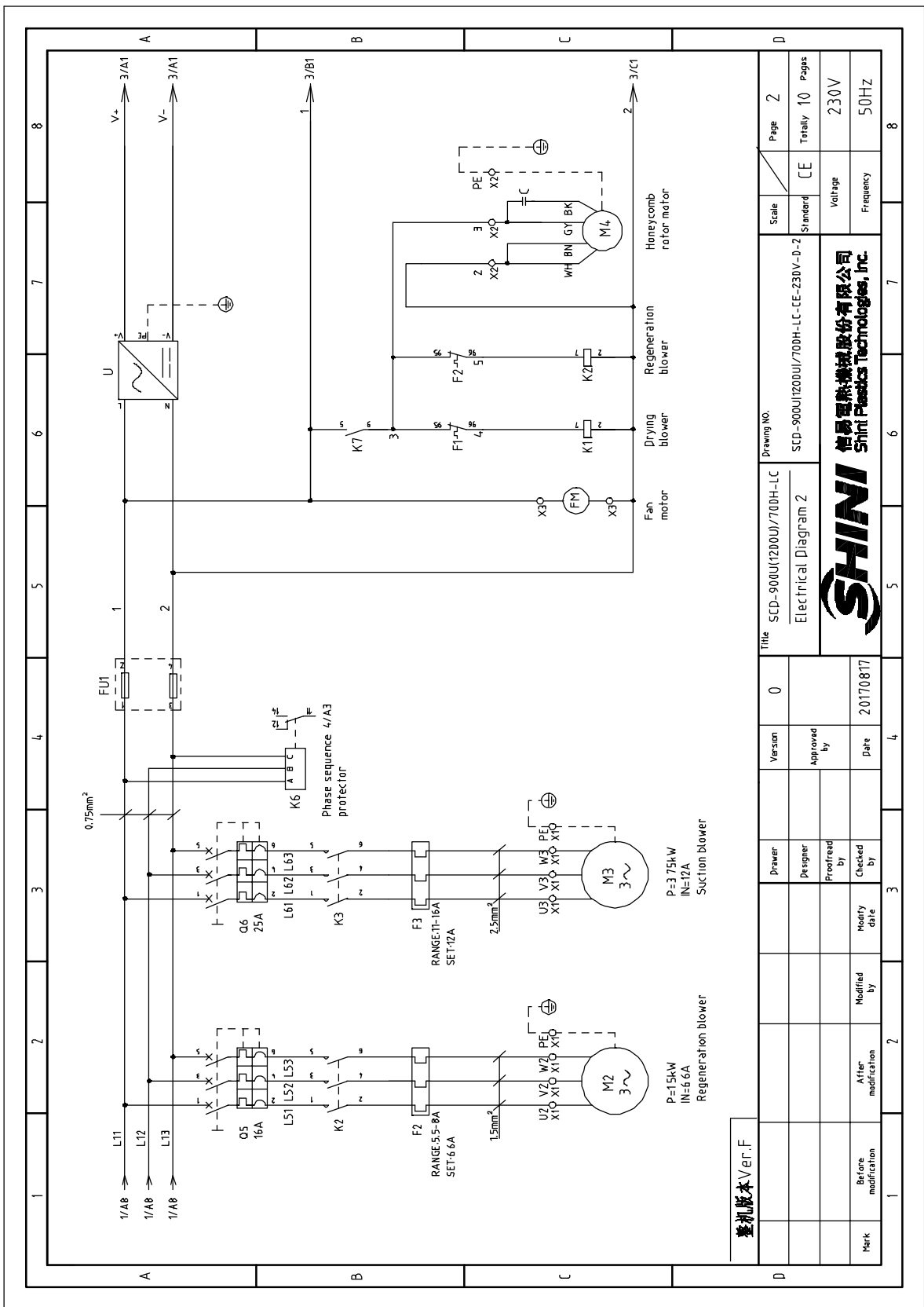
Mark	Before modification	Modified by	20170817	Checked by		Approved by	Version	0	Title	SCD-900U(200U)/700H-LC Electrical Diagram 1	Drawing No.	SCD-900U(200U)/700H-LC-CE-230V-0-1	Scale	Standard	CE	Page	1
																Totally	10
																Voltage	230V
																Frequency	50HZ



1 2 3 4 5 6 7 8

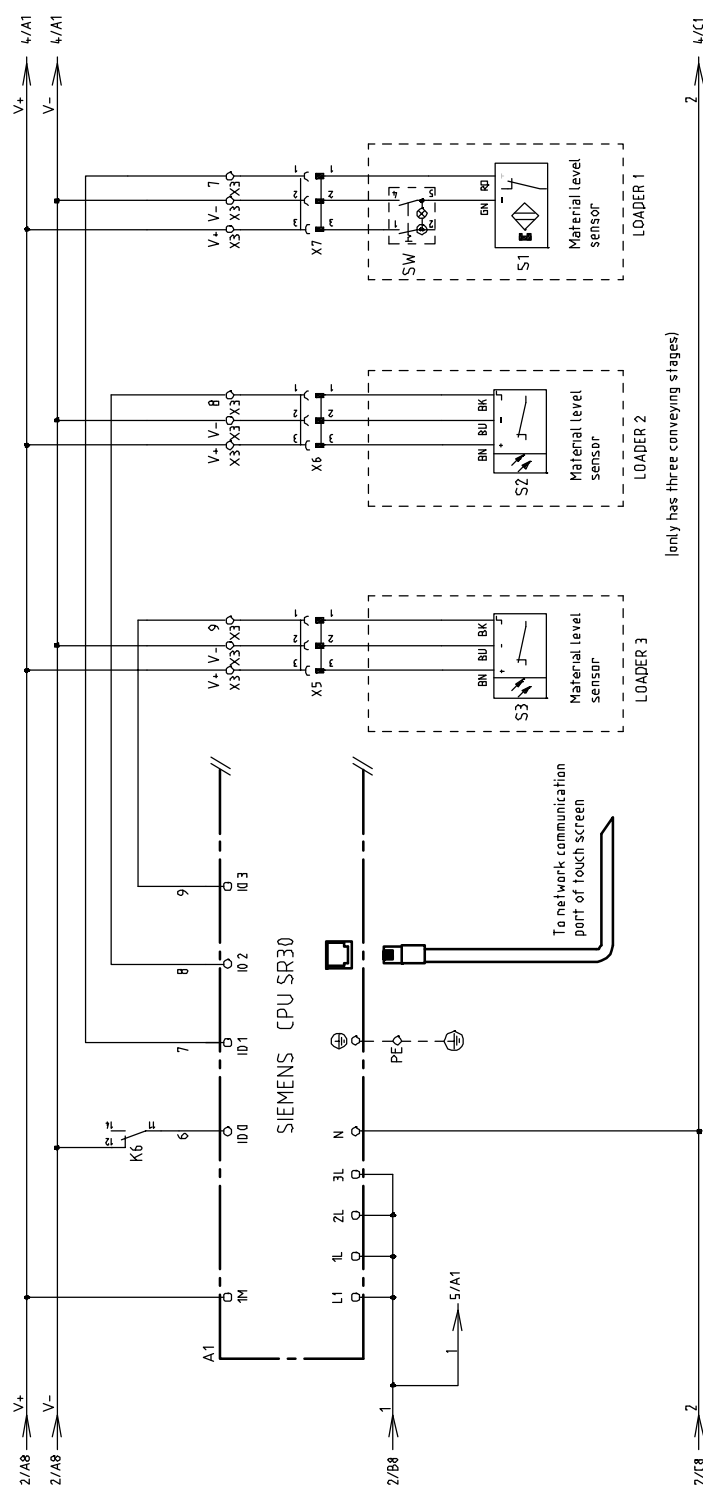
A B C D

8 7 6 5 4 3 2 1




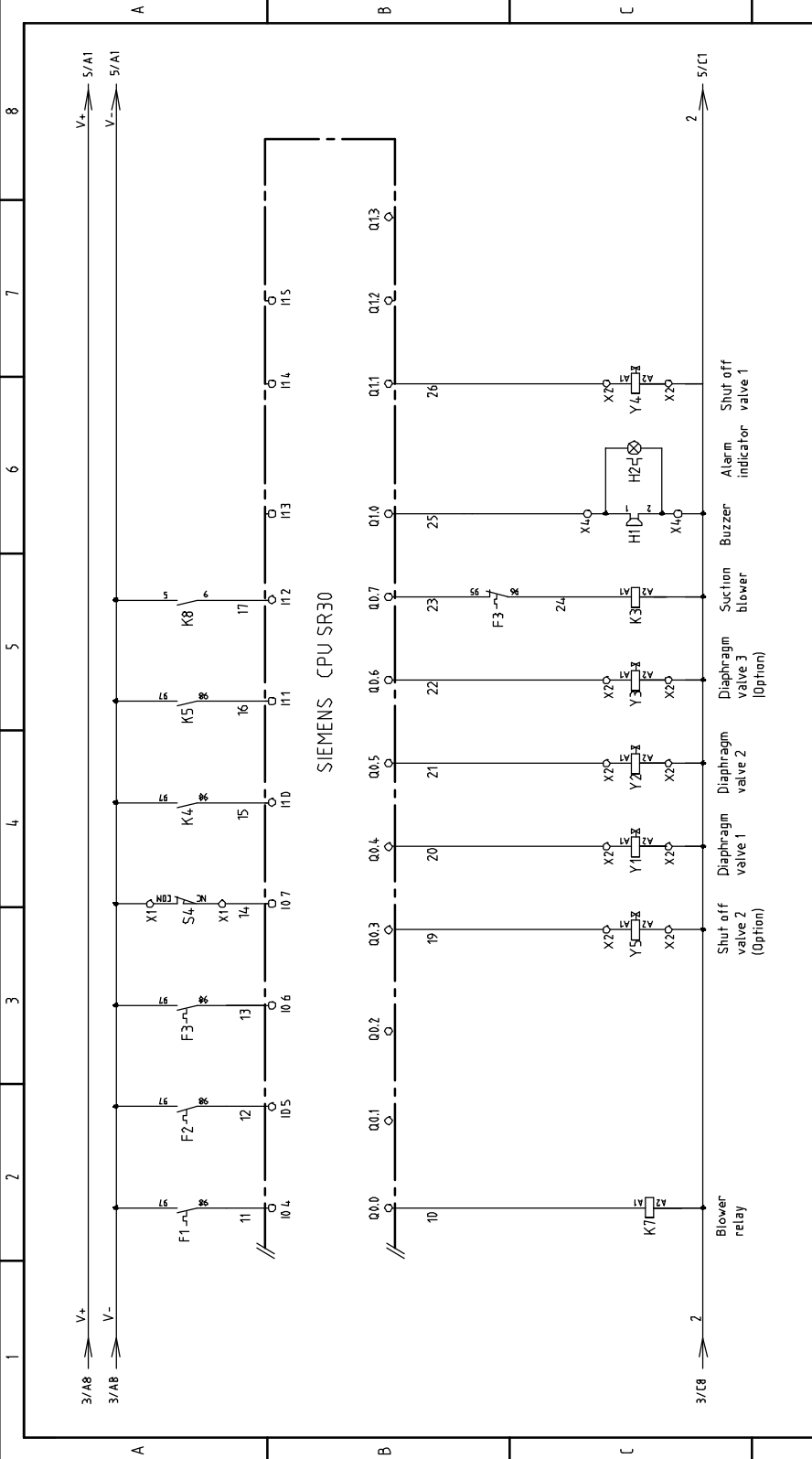
整机版本 Ver.F

Mark	Before modification	After modification	Modified by	2
Mark			20170817	3
Designer		Designed by	Approved by	Version 0
Checked by		Checked by	Date	20170817
Prpared by		Prpared by		
Version	0	Version		
Prwning No.	SCD-900U(1200U)/700H-LC			
Scale	CE	Scale	Page 2	8
Standrd	CE	Standrd	Totally 10	Pages
Volage	230V	Volage		
Frequency	50HZ	Frequency		
Title		SCD-900U(1200U)/700H-LC-CE-Z3DV-D-2		
Electrical Diagram 2		SHINI 信易塑料机械股份有限公司 Shini Plastics Technologies, Inc.		



臺機版本 Ver.F

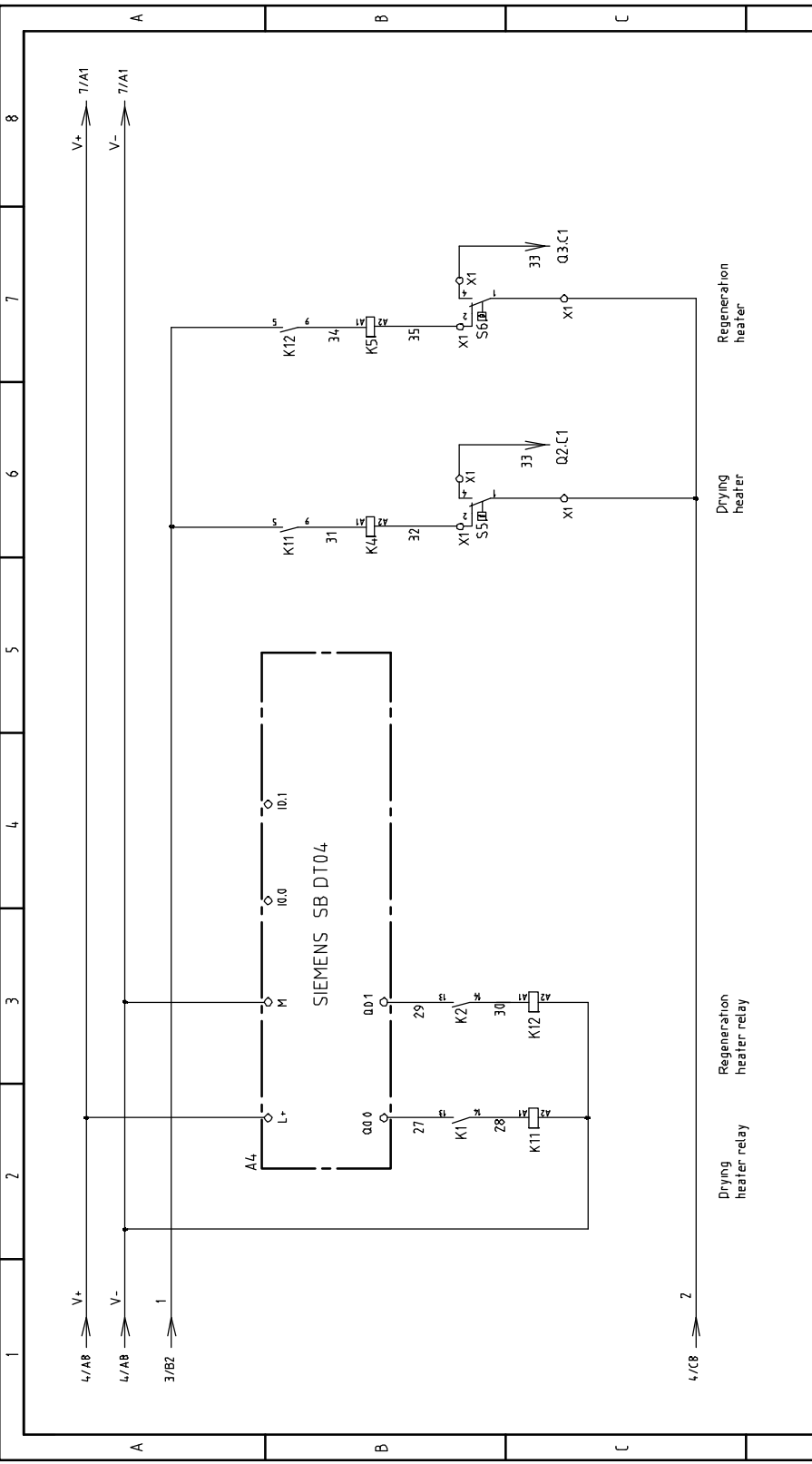
Mark	Before modification	After modification	Modified by	Modify date	Checked by	Approved by	Version	0	Title	SCD-900U(1200U)/7100H-LC Electrical Diagram 3		Scale	CE	Page	3
				20170817					Drawing No.	SCD-900U(1200U)/7100H-LC-CE-230V-0-3		Standard	CE	Totally	10
									 信易理熱機械股份有限公司 Shini Plastics Technologies, Inc.		Voltage	230V	Frequency	50HZ	



Note: When not optional with M2, the Line No 19 is changed to Line No 26

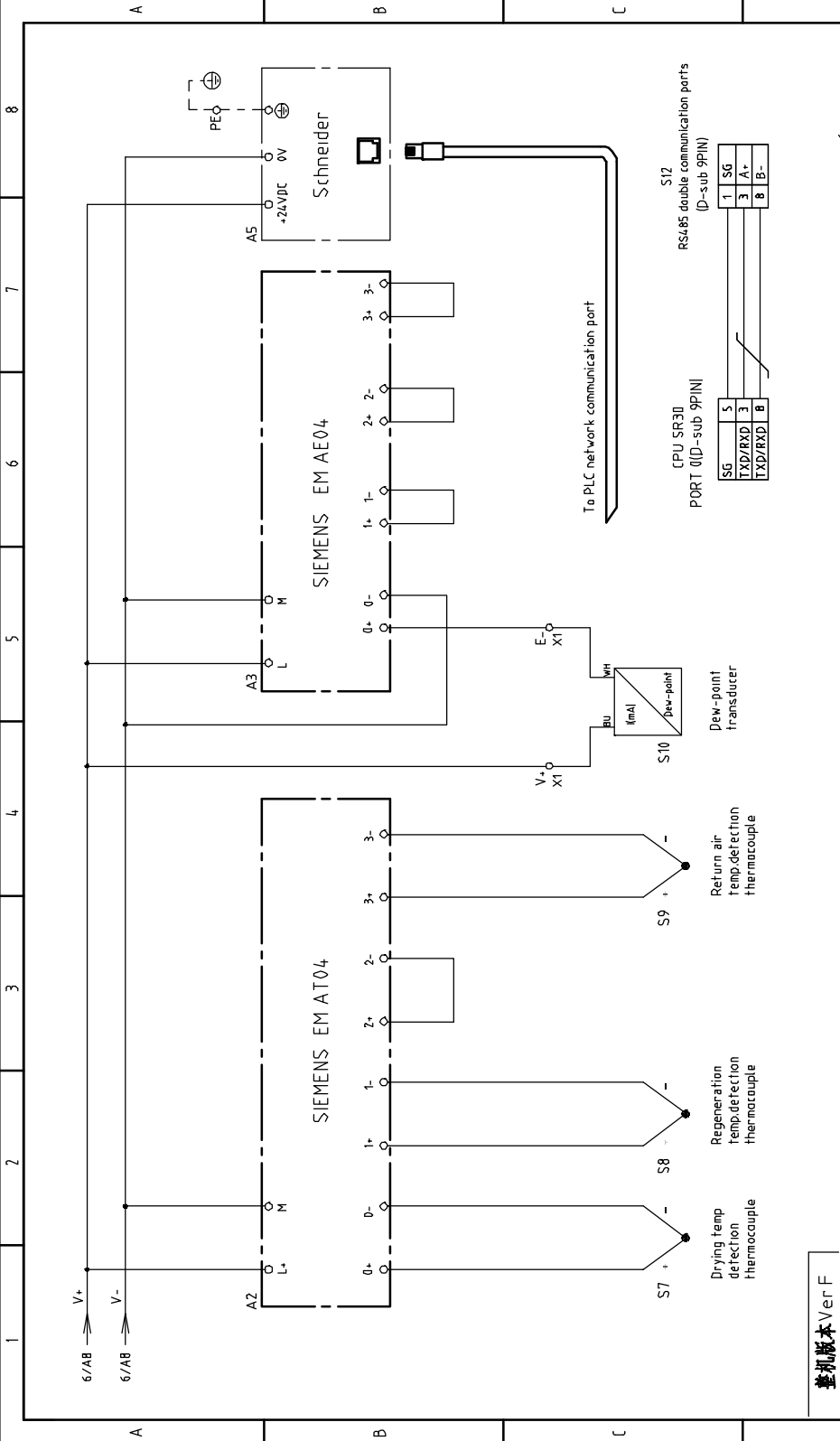
整机版本 Ver F

Mark	Before modification	After modification	Modified by	Modify date	Checked by	Designed by	Version	0	Drawing No.	Scale		Page	L4
										Standard	CE		
									SCD-900U(1200U)/700H-LC	Standard		230V	50HZ
Title										SCD-900U(1200U)/700H-LC		8	
Electrical Diagram 4										Voltage		Frequency	
SHINI 信易理热模城股份有限公司 Shini Plastics Technologies, Inc.										20170817		8	



最初版本 Ver.F

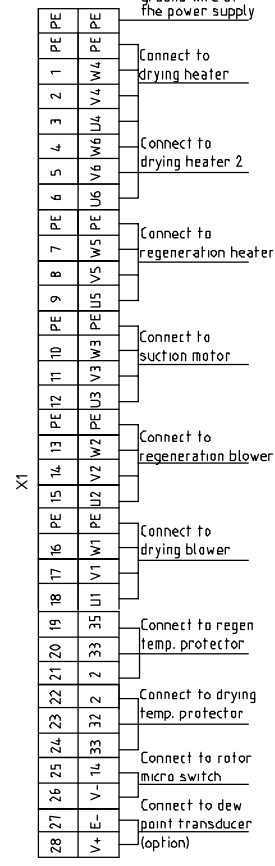
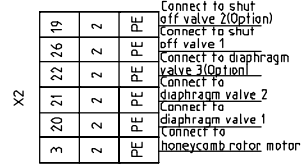
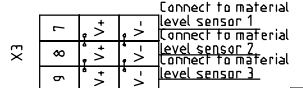
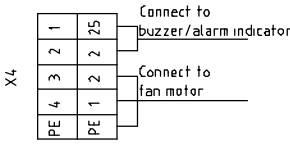
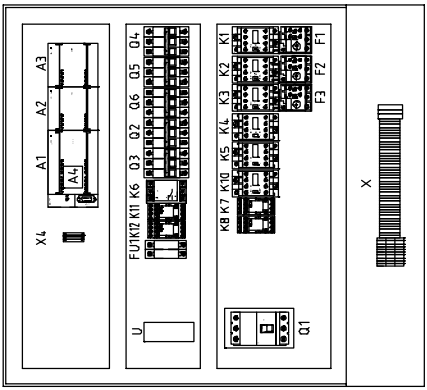
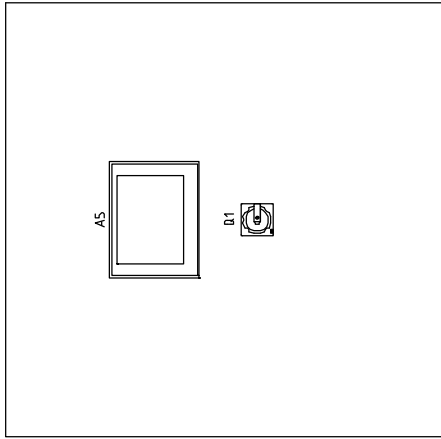
Mark	Before modification	After modification	Modified by	Modify date	Checked by	Designer	Drawer	Version	0	Title	SCD-900U(1200U)/700H-LC Electrical Diagram 5		Scale	CE	Page	5
				20170817	Approved by					Drawing No.	SCD-900U(1200U)/700H-LC-CE-230V-0-5		Standard	CE	Totally	10
					Date					SHINI 信易理熱機械股份有限公司 Shini Plastics Technologies, Inc.		Voltage	230V	Frequency	50Hz	



整机版本 Ver.F

Mark	Before modification	After modification	Modified by	Modify date	Checked by	Approved by	Version	0	Title	SCD-900U(1200U)/700H-LC Electrical Diagram 6	Drawing No.	SCD-900U(1200U)/700H-LC-CE-23AV-0-6	Scale	Standard	Page	6
				20170817											CE	Totally 10
																Pages
																230V
																50HZ





最初版本 Ver.F

Title	SCD-900U(1200U)/700H-LC		Drawing No.	SCD-900U(1200U)/700H-LC-CE-230V-0-7	
	Electrical Components Layout			Standard	CE
Designer	Checked by	Version	0	Totally	10
Approved by	Checked by	Approved by	20170817	Pages	230V
Modified by	Modify date			Frequency	50Hz
Before modification	After modification				




1	2	3	4	5	6	7	8	
N0	Symbol	Name	Manufacturer	Type	Specification	Number	Material number	Remark
1	Q1	Main switch	ABB	AZB250TMF160	160A	1	YE4116150000	
2	Q2	Circuit-breaker	CHINT	BM-100D 3P	80A	1	YE40308003000	
3	Q3	Circuit-breaker	TECO	BM-63C 3P	40A	1	YE40304003000	A
4		Excitation release	CHINT	MX	220V 50/60Hz	2	YE40023560000	
5	Q4	Circuit-breaker	TECO	BM-63C 3P	63A	1	YE40306303000	
6	Q5	Circuit-breaker	TECO	BM-63C 3P	16A	1	YE40301603000	
7	Q6	Circuit-breaker	TECO	BM-63C 3P	25A	1	YE40302503000	
8	K1	Contact	SIEMENS	3RT6027-1ANZ1	32A 220V 50/60Hz	1	YE00602722000	
9	K2	Contact	SIEMENS	3RT6016-1ANZ1	9A 220V 50/60Hz	1	YE00601521000	
10	K3	Contact	SIEMENS	3RT6018-1ANZ1	16A 220V 50/60Hz	1	YE00601800000	
11	K4 K10	Contact	SIEMENS	3RT6028-1ANZ0	38A 220V 50/60Hz	2	YE00602822000	B
12	K5	Contact	SIEMENS	3RT6028-1ANZ0	38A 220V 50/60Hz	1	YE00602822000	
13	K6	Phase relay	CHAOSHI	ABJ-10W	230V 50/60Hz	1	YE03102200000	
14	K7 K8	Relay	WEIDMULLER	DRM270730LT	220V 50/60Hz	2	YE03270700000	
15	K11 K12	Relay	WEIDMULLER	DRM270724LT	24V DC	2	YE03272400000	
16	F1	Overload relay	SIEMENS	3RU6126-4NB0	23-28A	1	YE01612620000	
17	F2	Overload relay	SIEMENS	3RU6116-1HB0	5.5-8A	1	YE01160550000	
18	F3	Overload relay	SIEMENS	3RU6116-4AB0	11-16A	1	YE01611640000	
19	A1	PLC	SIEMENS	CPU SR30 AC/DC/RLY	100-230VAC 50/60Hz	1	YE81003006000	C
20	A2	PLC Analog module	SIEMENS	4-point thermocouple Temp. module EP AI 104	--	1	YE82000400300	
21	A3	PLC Analog module	SIEMENS	4-point input analog quantity module EM AE04	--	1	YE82000400100	(2)
22	A4	PLC Analog module	SIEMENS	Circuit board for signal expansion SB DT04	--	1	YE90000401300	
23	A5	Human-machine interface	SCHNEIDER	GXU3512	24VDC	1	YE80351200200	
24	FU1	Fuse base	CHINT	RT1B-32	2P	1	YE41032200000	
25		Fuse	CHINT	10x38 500V	2A	2	YE41001000000	
整机版本 Ver.F		Notes (1)Means it's not the material inside the control box (2)Stand for optional.			Drawing NO.			Page 8
					Title SCD-900U(1200U)/700H-LC			Scale
					Electrical Components List 1			Standard
					SCD-900U(1200U)/700H-LC-CE-230V-0-8			Voltage
								Frequency
								CE
								Totally 10
								Pages
								230V
								50HZ
Mark		Before modification	Modified by	Modify date	20170817	Date	20170817	Date
		After modification	Approved by	Version	0	Title	SCD-900U(1200U)/700H-LC	Page 8
			Designer	Version	0	Title	SCD-900U(1200U)/700H-LC	Page 8
			Proofread by	Approved by	0	Title	SCD-900U(1200U)/700H-LC	Page 8
			Checked by	Date	20170817	Title	SCD-900U(1200U)/700H-LC	Page 8
			Modify date	Date	20170817	Title	SCD-900U(1200U)/700H-LC	Page 8



信昌塑料机械股份有限公司  
Shini Plastics Technologies, Inc.



1	2	3	4	5	6	7	8	
NO	Symbol	Name	Manufacturer	Type	Specification	Number	Material number	Remark
26	U	DC power	MEAN WELL	NES-35-24	OUT=DC24V 15A	1	YE7152400100	
27	S1	Reed switch	FOTEK	FC-12V	24VDC	1	-----	(1)
28	S2 S3	Photoelectric switch	FOTEK	T18-3MNB-PE	24VDC	2	-----	(1)
29	S4	Micro switch	TEND	LXW5-1HG1	250V 5(4)A	1	-----	(1)
30	S5	Temperature protector	----	-----	250V 5(4)A	1	-----	(1)
31	S6	Temperature protector	----	-----	250V 5(4)A	1	-----	(1)
32	S7 S8 S9	Thermocouple	SHINI	ST-K	K	3	-----	(1)
33	S10	Dew-point transducer	CS	CS 217-OEM	POWER=24VDC OUT=4-20mA	1	YE90021700100	(1)(2)
34	Y1-Y5	Solenoid valve	--	MSFW-230-50/60	220V 50/60Hz	5	-----	(1)
35	H1	Buzzer	HITPOINT	PF-35A	60-250V	1	YE84003500200	(1)
36	H2	Alarm indicator	SHINI	LED-3051	220V 50/60Hz	1	YEB3305100200	(1)
37	X1 X2 X4	Terminal board	--	35mm <sup>2</sup> PE	-	1	YE61353500000	
38				6mm <sup>2</sup>	-	12	YE61060000000	
39				6mm <sup>2</sup> PE	-	4	YE61063500000	
40				4mm <sup>2</sup>	41A 690V	6	YE61040000000	
41				4mm <sup>2</sup> PE	-	2	YE61043500000	
42				2.5mm <sup>2</sup>	32A 690V	20	YE61250040000	
43				2.5mm <sup>2</sup> PE	-	5	YE61253500000	
44				2.5mm <sup>2</sup>	32A 690V	6	YE60002503200	(2)
45				2.5mm <sup>2</sup> PE	-	2	YE60002503400	(2)
46	X3	Terminal board	-----	Terminal SK2.5-TL	10A 250V	3	YE60001500000	
47				FBS1B 10-ZDIK RD	10A 250V	3	YE60001000200	
48				FBS1B 10-ZDIK BU	10A 250V	3	YE60001000000	
49	X5 X6 X7	Heavy duty connector	WEIN	HDC-HA-004.1	4P 10A	3	YE68041000100	(1)
50	FM	Fan	SUNDON	DP-200A	230V AC 4.0W	1	YM61021200400	(1)
<b>資料版本 Ver.F</b> Notes: (1)Means it's not the material inside the control box (2)Stands for optional								
			Drawer	Version	Drawing NO.		Scale	Page
			Designer	0	Title SCD-900U(1200U)/700H-LC		Standard	9
			Proofread by	Approved by	Electrical Components List 2		CE	Totally 10
			Checked by	Date			Voltage	Pages
			Modify date	20170817			Frequency	230V
			Modified by					50HZ
			After modification					
			Before modification					
					 <b>SHINI</b> 信昌理熱機械股份有限公司 Shini Plastics Technologies, Inc.			
1	2	3	4	5	6	7	8	

1	2	3	4	5	6	7	8		
No	Symbol	Name	Manufacturer	Type	Specification	Number	Material number	Remark	
51	S10	Communication interface board (double Dsub-9pin connector)	----	----	----	1	YE9004.8501200	(1)	
52		Shell RS485 SAL-700G-A-1910	----	----	----	1	YR4004.8500000	(1)	
53	M1	Blower	SHINI	-----	230V 15kW	1	-----	(1)	
54	M2	Blower	SHINI	-----	230V 15kW	1	-----	(1)	
55	M3	Blower	SHINI	-----	230V 3 75kW	1	-----	(1)	
56	M4	Motor	----	-----	230V 0.015kW	1	-----	(1)	
57	EH1	Heater	SHINI	-----	400V 24kW	1	-----	(1)	
58	EH2	Heater	SHINI	-----	400V 10kW	1	-----	(1)	
A									
B									
C									
D									
<b>差机版本 Ver.F</b> Notes: (1)Means it's not the material inside the control box. (2)Stands for optional.									
			Drawer	Version	Drawing NO. SCD-900U(1200U)/700H-LC Title SCD-900U(1200U)/700H-LC Electrical Components List 3			Scale	Page
			Designer	Approved by				Standard	Totally
			Proofread by	Date				CE	10
			Checked by	20170817				Voltage	Pages
			Modify date					Frequency	Totally
			Modified by					230V	10
			After modification					50HZ	8
			Before modification						



信易理熱機城股份有限公司  
Shini Plastics Technologies, Inc.