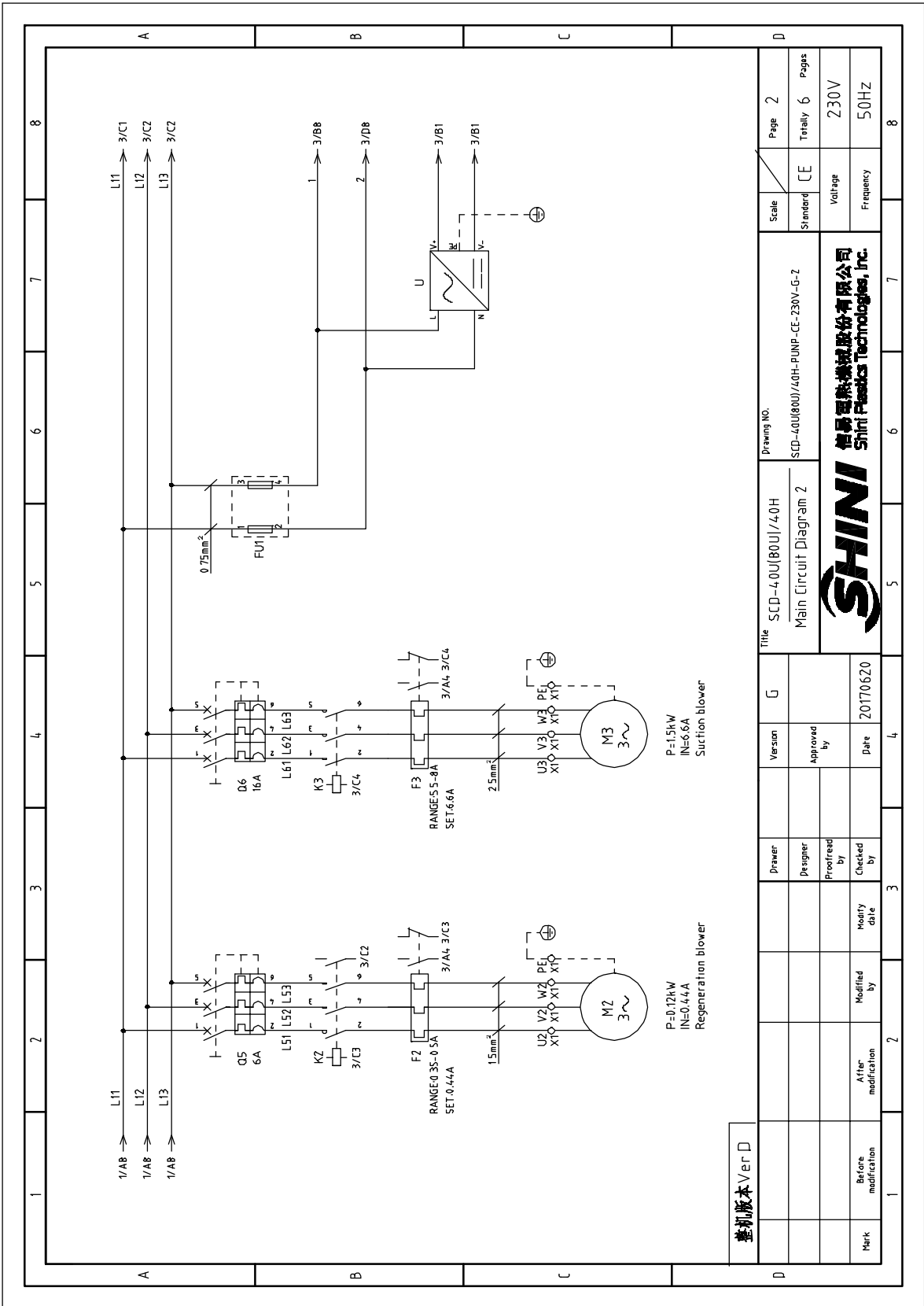


基本版本 Ver.D

Mark	Before modification	After modification	Modified by	Modify date	Checked by	Drawer	Version	G	Title	Drawing No.	Scale	Page 1
									SCD-4.0U(80U)/4.0H Main Circuit Diagram 1	SCD-4.0U(80U)/4.0H-PUMP-CE-230V-G-1	Standard	Totally 6
							Approved by				CE	Pages
							Date	20170620			Voltage	230V
											Frequency	50Hz





最初版本 Ver D

Mark	Before modification	Modified by	Modify date	Checked by	Approved by	Version	G	Title	SCD-4.0U(80U)/4.0H Main Circuit Diagram 2	Drawing NO.	SCD-4.0U(80U)/4.0H-PUMP-CE-230V-G-2	Scale	CE	Page	2
	After modification											Standard	CE	Totally	6
												Voltsage		Frequency	230V
														50HZ	8



P=1.5kW
IN=6.6A
Suction blower

P=0.12kW
IN=0.44A
Regeneration blower

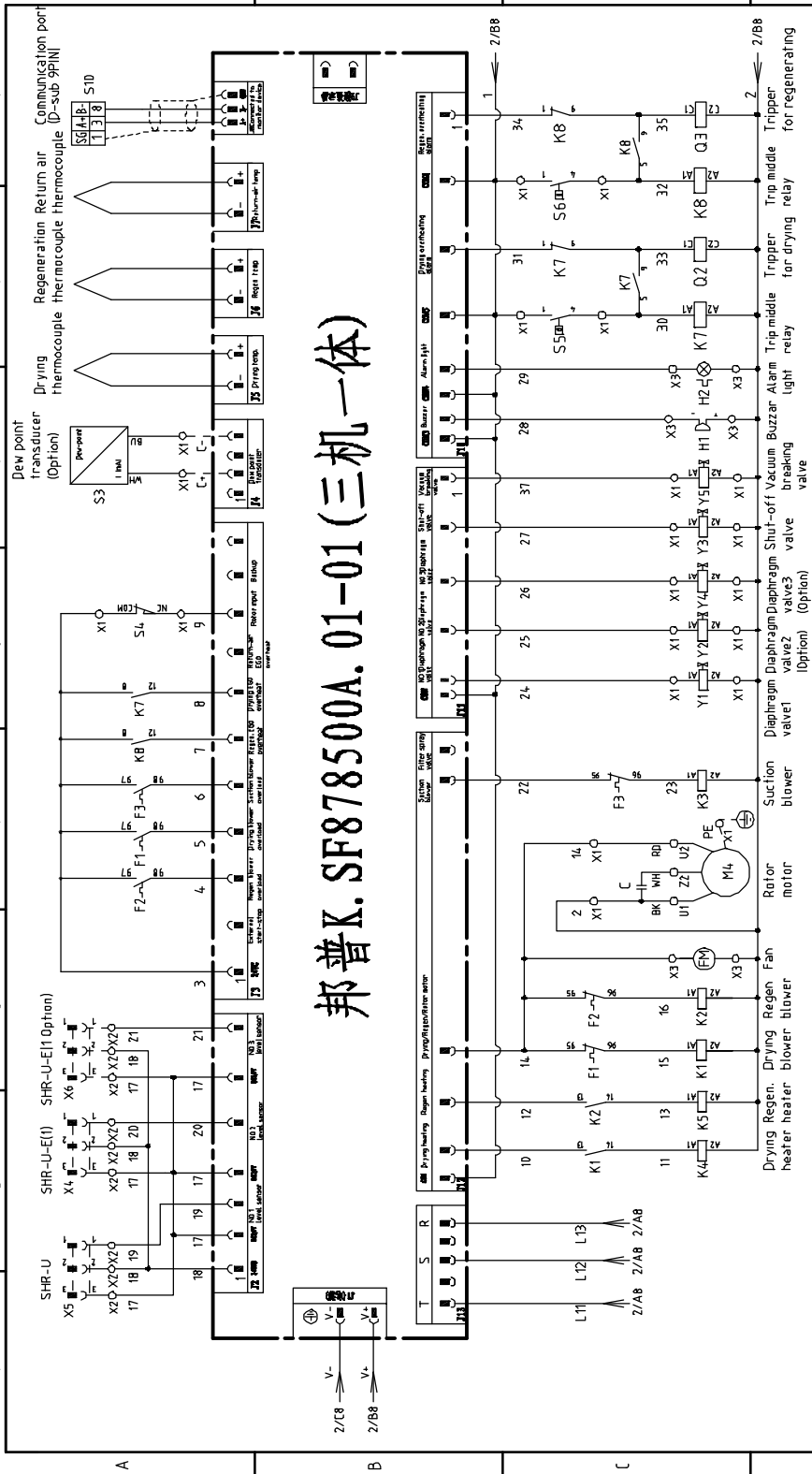
U3, V3, W3 PE
XT0, XT1, XT2, XT3

U2, V2, W2 PE
XT0, XT1, XT2, XT3

U, V, W PE
XT0, XT1, XT2, XT3

U, V, W PE
XT0, XT1, XT2, XT3

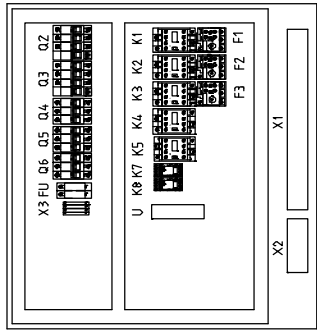
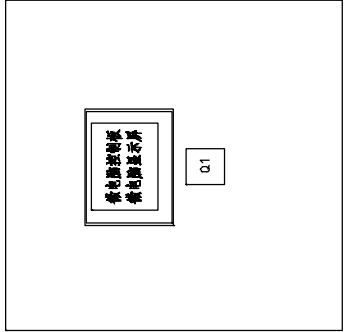
邦普K. SF878500A. 01-01 (三机一体)



整机版本 Ver D	Drawing No.	Scale	Page 3
Designer	SCD-40U(80U)/40H	Standard	Totally 6 Pages
Protestad by	Control Circuit Diagram	CE	
Checked by		Voltage	230V
Modify date		Frequency	50HZ
Mark	Before modification		
	After modification		
	20170620		
	Approved by		
	Date		
	20170620		
	Version		
	G		
	SCD-40U(80U)/40H		
	Control Circuit Diagram		
	SCD-40U(80U)/40H-PUMP-CE-230V-G-3		
	SHINI		
	SHINI Plastics Technologies, Inc.		

Note: When K2 is not adopted, substitute No. 24 wire for No. 25 as well as No.26, and then connect it to diaphragm valve 1.

1 2 3 4 5 6 7 8



X3
PE 5 4 3 2 1
PE 14 2 29 2 28
Connect to cooling fan
Connect to alarm light
Connect to buzzer

X2
18 18 18
17 17 17
21 19 20
3 2 1
21 19 20
17 17 17
18 18 18
Connect to material level sensor 3 (Option)
Connect to material level sensor 2
Connect to material level sensor 1

X1
35 34 33 32 PE 31 30 PE 29 28 PE 27 26 PE 25 24 PE 23 22 PE 21 20 19 18 17 16 PE 15 14 13 PE 12 11 10 PE 9 8 7 PE 6 5 4 PE 3 2 1 PE
C+C- 24 2 PE 25 2 PE 26 2 PE 27 2 PE 28 2 PE 29 2 PE 30 1 31 32 U1 V1 W1 PE U2 V2 W2 PE U3 V3 W3 PE U4 V4 W4 PE L1 L2 L3 PE
Connect to dew point sensor (option)
Connect to diaphragm valve 1
Connect to diaphragm valve 2 (Option)
Connect to diaphragm valve 3 (Option)
Connect to shut-valve
Connect to vacuum breaking valve
Connect to rotor motor
Connect to rotor limit switch
Connect to drying EGO S5
Connect to regeneration EGO S6
Connect to drying blower
Connect to regeneration blower
Connect to suction motor
Connect to regeneration heater
Connect to drying heater
Connect to power lines


整机版本 Ver. D

Drawn	Version	G	Title	Scale	Page
Designer	Approved by		SCD-40U(80U)/40H Electrical Components Layout	Standard	4
Checked by	Date		SCD-40U(80U)/40H-PUMP-CE-230V-G-4	Voltage	Totally 6 Pages
Modify date		20170620		Frequency	230V 50HZ
Modified by					
After modification					
Before modification					
Mark					



1 2 3 4 5 6 7 8

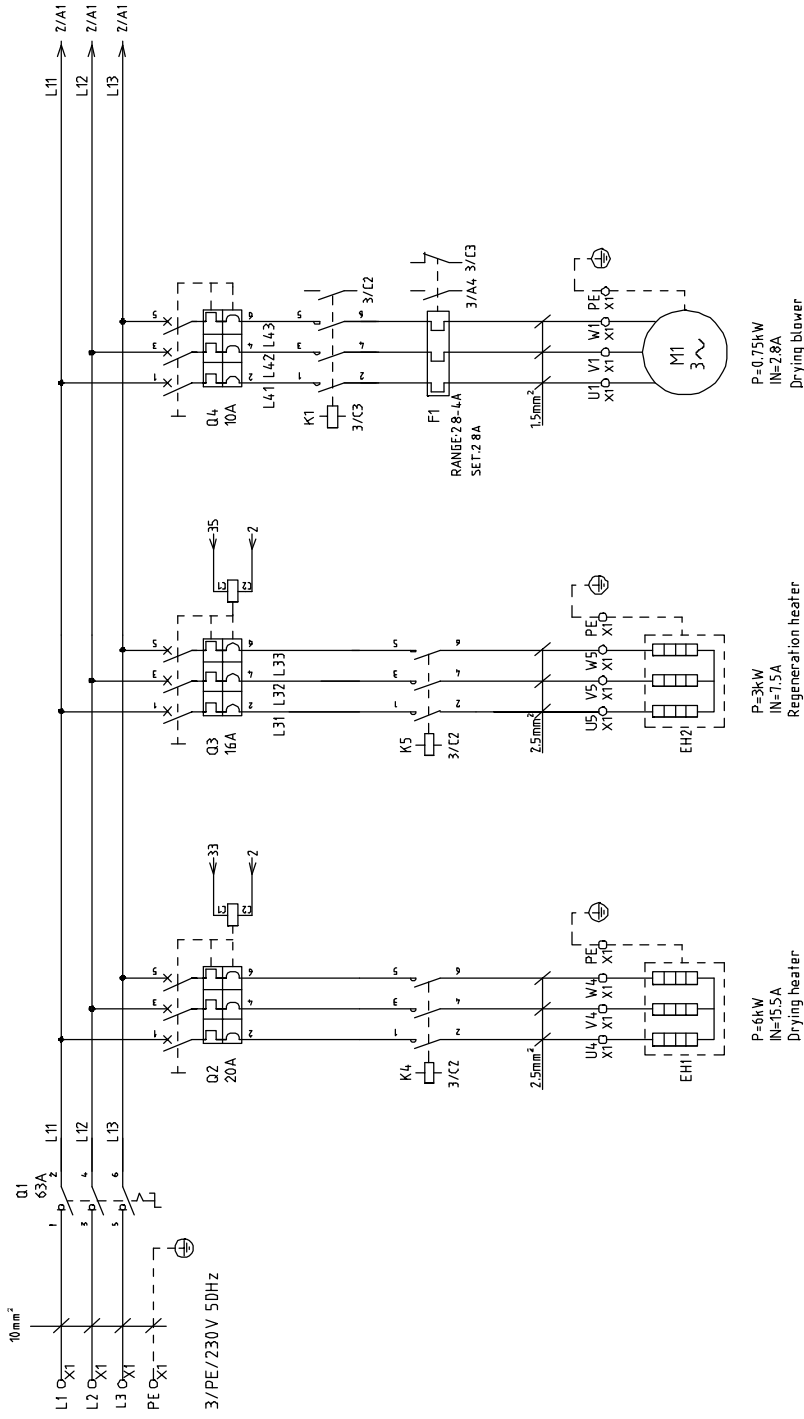
1	2	3	4	5	6	7	8		
NO	Symbol	Name	Manufacturer	Type	Specification	Number	Material number	Remark	
1	Q1	Main power switch	EATON	P2-32-EA/SVB	32A	1	YE10B2320000		
2	Q2 Q3	Circuit-breaker	TECO	BM-63C 3P	16A	2	YE40301603000		
3		Excitation release	TECO	MX	220V 50/60Hz	2	YE40023560000	A	
4	Q4 Q5	Circuit-breaker	TECO	BM-63C 3P	6A	2	YE40300603000		
5	Q6	Circuit-breaker	TECO	BM-63C 3P	16A	1	YE40301603000		
6	K1 K2 K3	Contact	SIEMENS	3RT6016-1AN21	220V 50/60Hz	3	YE00601621000		
7	K4 K5	Contact	SIEMENS	3RT6018-1AN21	220V 50/60Hz	2	YE00601801000		
8	K7 K8	Middle relay	WEDMULLER	DRM270730LT	220V 50/60Hz	2	YE03270700000		
9	F1	Overload relay	SIEMENS	3RU6116-0GB0	0.45-0.63A	1	YE01161450000		
10	F2	Overload relay	SIEMENS	3RU6116-0FB0	0.35-0.5A	1	YE01350500000		
11	F3	Overload relay	SIEMENS	3RU6116-1HB0	5.5-8A	1	YE01160550000	B	
12	PCB	Microprocessor control board-display screen	PUMP	K SF878500A 01-01	-----	1	YE80878500000		
13	U	DC power	MEAN WELL	NES-35-24	OUT=DC24V 15A	1	YE71352400100		
14	FU1	Fuse base	CHINT	RT18-32	2P	1	YE41032200000		
15		Fuse	CHINT	10x38 500V	2A	2	YE46002000100		
16	S1	Reed switch	FOTEK	FC-12V	24 VDC	1	----	(1)	
17	S2	Photoelectric switch	FOTEK	T18-3MNB-PE	24 VDC	1	----	(1)	
18	S3	Dew-point transducer	CS	CS 217-0EM	POWER=24VDC OUT=4-20mA	1	YE90021700100	(1)(2)	
19	S4	Micro switch	TEND	----	250V 5(4)A	1	----	(1)	
20	S5 S6	Temperature protector	EGO	WR-A-50-300-2500-3	250V 5(4)A	2	----	(1)	
21	S7 S8 S9	Thermocouple	SHINI	ST-K	K	3	----	(1)	
22	Y1 Y2	Solenoid valve	----	MSFW-230-50/60	230V 50/60Hz	2	----	(1)	
23	H1	Buzzer	SHINI	PK-35A	220V 50/60Hz	1	YE84003500200	(1)	
24	H2	Alarm indicator	SHINI	LED-3051	220V 50/60Hz	1	YE83305100200	(1)	
資料版本(Ver.) Notes: (1)Means it's not the material inside the control box. (2)Stands for optional.									
		Drawer Designer Proofread by		Version Approved by		Scale Standard CE		Page 5	
		Modified by Modify date		Date 20170620		Frequency Voltage		Pages 230V 50Hz	
								Totally 6	
								8	



SHINI 怡昇理熱模塑股份有限公司
 Shini Plastics Technology, Inc.

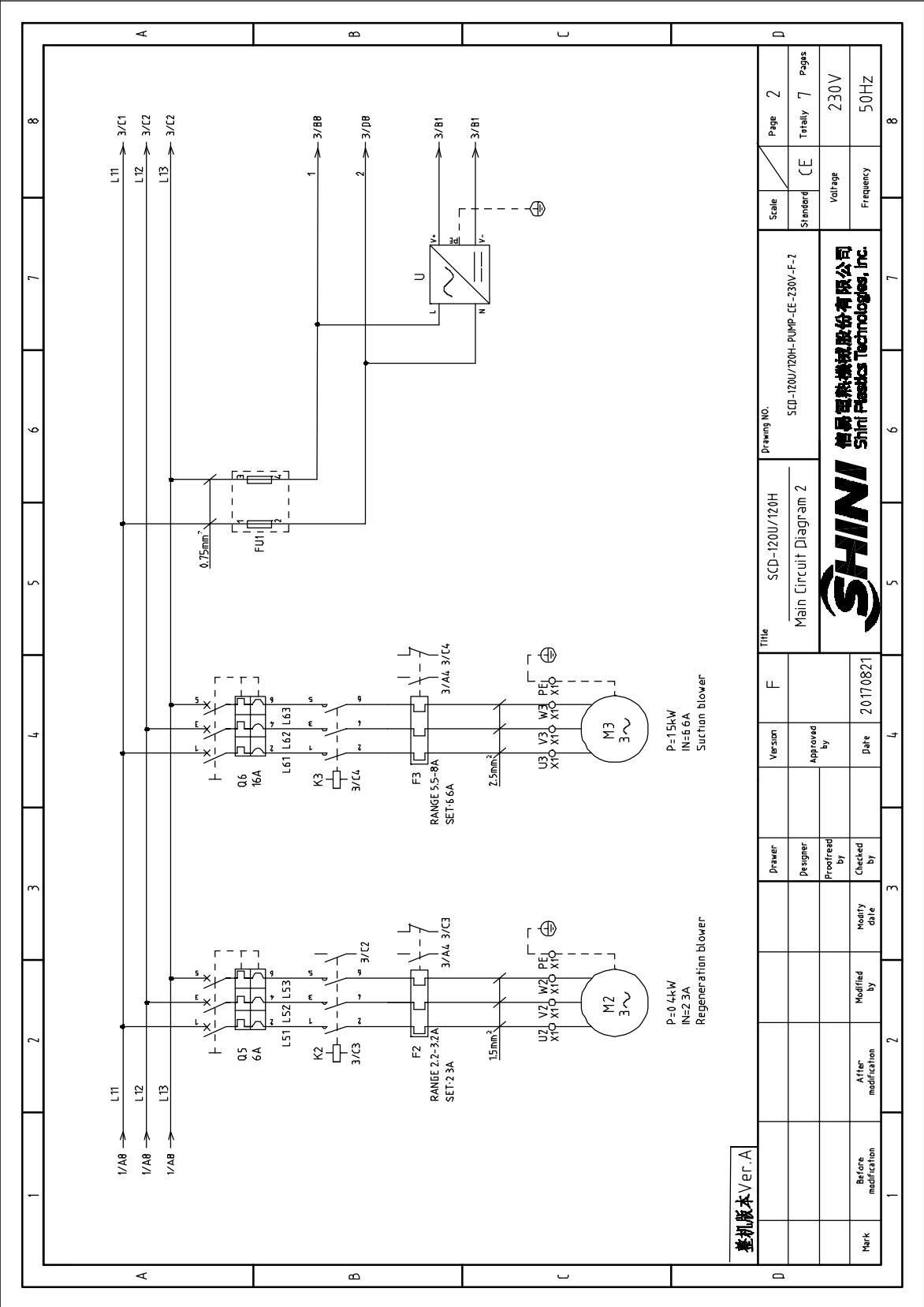
1	2	3	4	5	6	7	8	
NO	Symbol	Name	Manufacturer	Type	Specification	Number	Material number	Remark
25	X1	Terminal board	----	6mm ²	-	3	YE60000603200	
26				6mm ² PE	-	1	YE60000603500	
27				4mm ²	-	15	YE60000403200	A
28				4mm ² PE	-	5	YE60000403500	
29				2.5mm ²	-	14	YE60002503200	
30				2.5mm ²	32A 690V	6	YE60002503200	(Z)
31				2.5mm ² PE	-	4	YE60002503400	
32				2.5mm ² PE	-	2	YE60002503400	(Z)
33	X2	Terminal board	----	Spring terminals SK2.5-TL	10A 250V	3	YE60002503600	
34				FBSTB 10-ZDIK RD	10A 250V	3	YE60001000200	
35				SK-2.5TL拆零件	10A 250V	3	YE60001003600	B
36	X3	Terminal board	----	2.5mm ²	-	5	YE60002503200	
37				2.5mm ² PE	-	1	YE60002503400	
38	X4	Heavy duty connector	SIBAS	HDC-HA-004.1	4P 10A	3	YE6804.7000100	(I)
39	X5	Heavy duty connector	SIBAS	HDC-HA-004.1	4P 10A	3	YE6804.7000100	(I)
40	X6	Heavy duty connector	SIBAS	HDC-HA-004.1	4P 10A	3	YE6804.7000100	(I)
41	FM	Fan	SUNON	DP-240A	230VAC	1	YM60121200400	(I)
42	M1	Blower	SHINI	-----	230V 0.18kW	1	-----	(I)
43	M2	Blower	SHINI	-----	230V 0.12kW	1	-----	(I)
44	M3	Blower	SHINI	-----	230V 15kW	1	-----	(I)
45	M4	Motor	----	-----	230V 0.015kW	1	-----	(I)
46	EH1	Heater	SHINI	-----	230V 4kW	1	-----	(I)
47	EH2	Heater	SHINI	-----	230V 3kW	1	-----	(I)
48	S10	Communication interface board RS-485 (double Dsub-9pin connector)	--	--	--	1	YE9004.8501200	(I)
49		Shell RS485(SAL-700G-A-19)0	--	--	--	1	YR4004.8500000	(I)
整机版本 Ver.D Notes: (1)Means it's not the material inside the control box. (2)Stands for optional.								
			Drawer	Version	Drawing NO.		Scale	Page
			Designer	Approved by	SCD-4.0U(80U)/4.0H		Standard	6
			Proofread by		Electrical Components List 2		CE	Totally 6
			Checked by	Date			Voltage	230V
			Modify date	20170620			Frequency	50HZ
Mark			Before modification	Modified by				
1			2		3		4	
5			6		7		8	





基本 Ver.A | Note: Regeneration heater changed to 4kW when it is 60Hz

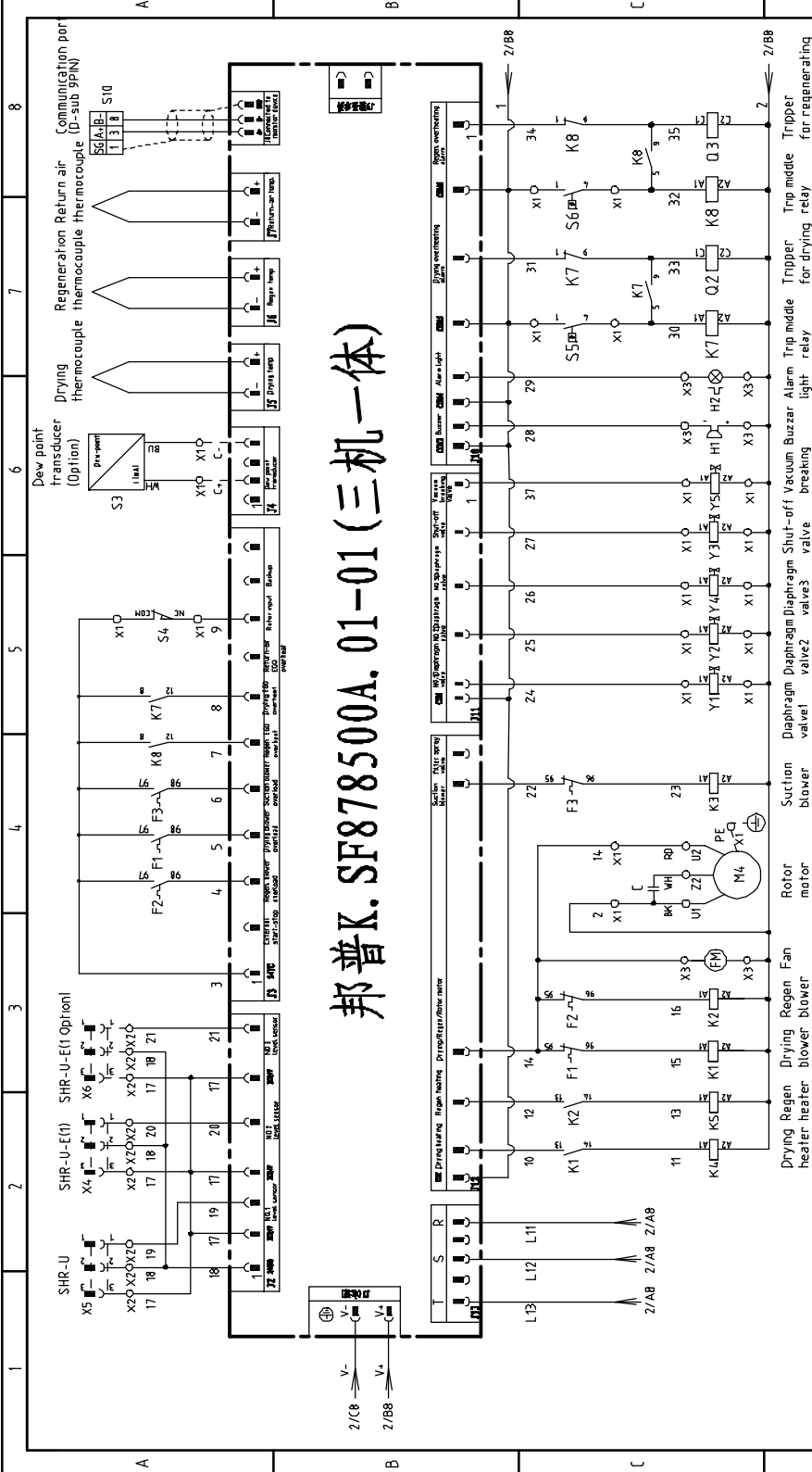
Drawing No.		Title		Version		F		Scale		Page	
SCD-120U/120H		SCD-120U/120H		Approved by		20170821		Standard		Page 1	
Main Circuit Diagram 1		Checked by		Date		20170821		CE		Totally 7	
SHINI 信昌理熱機械股份有限公司 Shini Plastics Technologies, Inc.		Modified by		Date		20170821		Voltage		230V	
		After modification		Date				Frequency		50Hz	
		Before modification		Date							



基本版本 Ver. A

Mark	Before modification	After modification	Modified by	Modify date	Checked by	Designer	Drawer	Version	F	Title	Drawing NO.	Scale	Page
										Main Circuit Diagram 2	SCD-120U/120H-PUMP-CE-230V-F-2	CE	2
													Totally
													7
													Pages
													230V
													50HZ
													Frequency
													Voltrage
													Standart



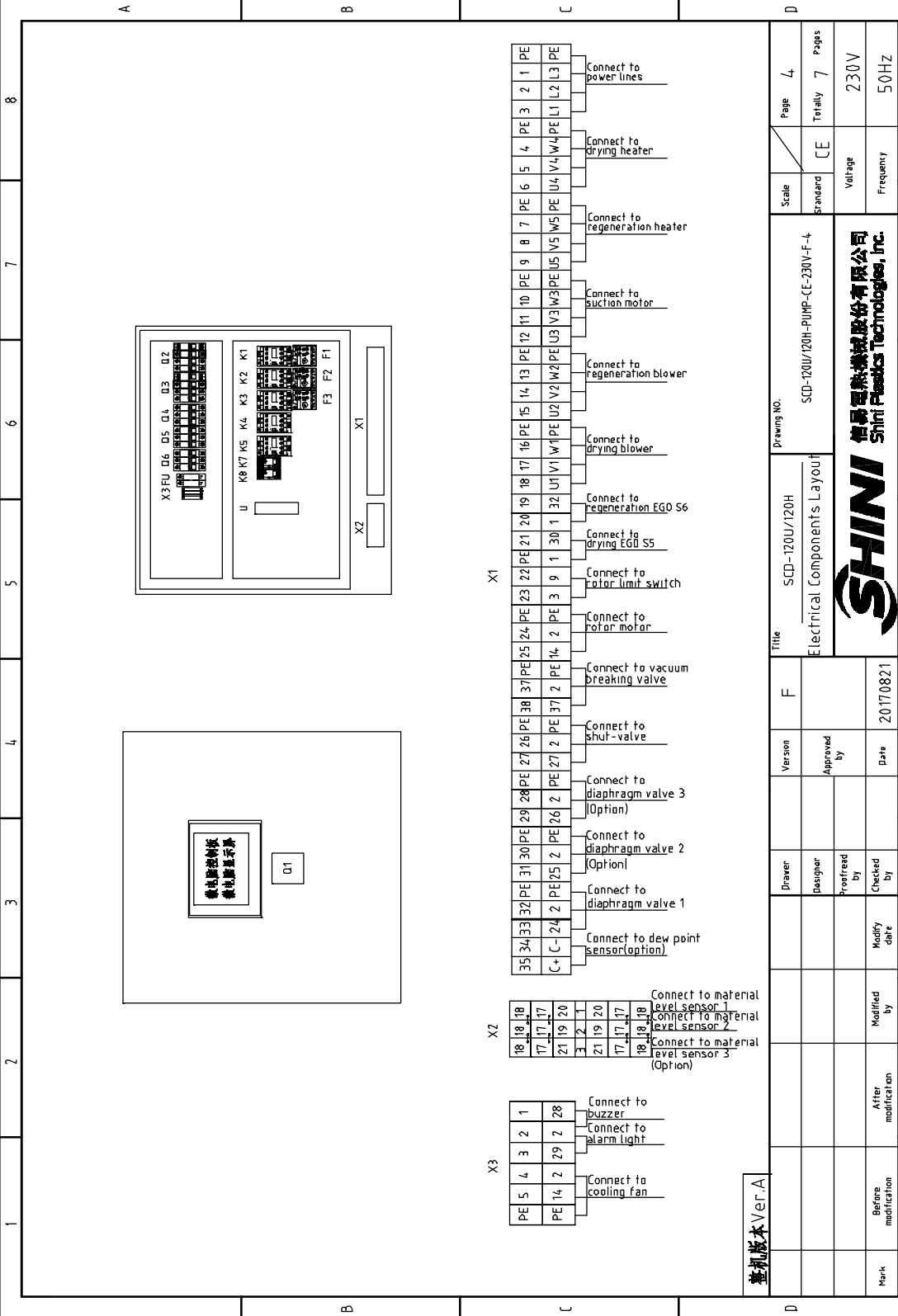


邦普K. SF878500A. 01-01 (三机一体)

整机版本 Ver. A

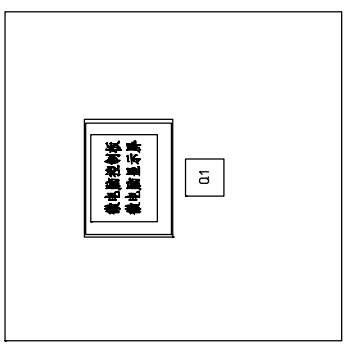
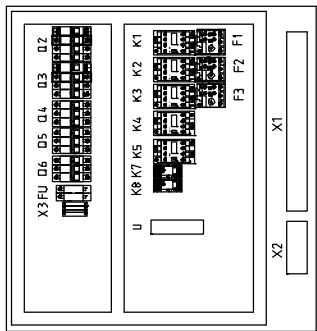
Praver	Version	Drawing No.	Page
Designer	Approved by	SCD-120U/120H	3
Protestrad by	Date	SCD-200U/201H-PUMP-CE-230V-F-3	Totally
Checked by	Modify date	Control Circuit Diagram	7
Modified by	Modify date	Voltage	230V
After modification	Modify date	Frequency	50HZ
Mark	Before modification	Frequency	50HZ





8
7
6
5
4
3
2
1

A B C D



- X3
- PE 5 4 3 2 1
- PE 14 2 29 2 28
- Connect to cooling fan
- Connect to alarm light
- Connect to buzzer
- X2
- 18 18 18
- 17 17 17
- 21 19 20
- 2 2 1
- 21 19 20
- 17 17 17
- 18 18 18
- Connect to material level sensor 1
- Connect to material level sensor 2
- Connect to material level sensor 3 (Option)
- X1
- 35 34 33 32 PE 31 30 PE 29 PE 28 PE 27 26 PE 25 2 24 PE 23 22 PE 21 20 PE 19 18 17 16 PE 15 14 13 PE 12 11 10 PE 9 8 7 PE 6 5 4 PE 3 2 1 PE
- Connect to dew point sensor (option)
- Connect to diaphragm valve 1
- Connect to diaphragm valve 2 (Option)
- Connect to diaphragm valve 3 (Option)
- Connect to Shut-valve
- Connect to vacuum breaking valve
- Connect to rotor motor
- Connect to rotor limit switch
- Connect to drying EGO S5
- Connect to regeneration EGO S6
- Connect to drying blower
- Connect to regeneration blower
- Connect to suction motor
- Connect to regeneration heater
- Connect to drying heater
- Connect to power lines

蓋机版本 Ver.A

Title	SCD-120U/120H		Drawing No.	SCD-120U/120H-20HP-CE-230V-F-4		
	Electrical Components Layout					
Scale	Standard	CE	Page	4	Totally	7
	Voltage		Frequency	230V 50HZ		
Revision	Approved by		Date	20170821		
Designer	Drawn by	Checked by	Modify date			
Before modification	After modification		Modified by			


SHINI
世易理熱機城股份有限公司
Shini Plastics Technologies, Inc.

8
7
6
5
4
3
2
1

A B C D

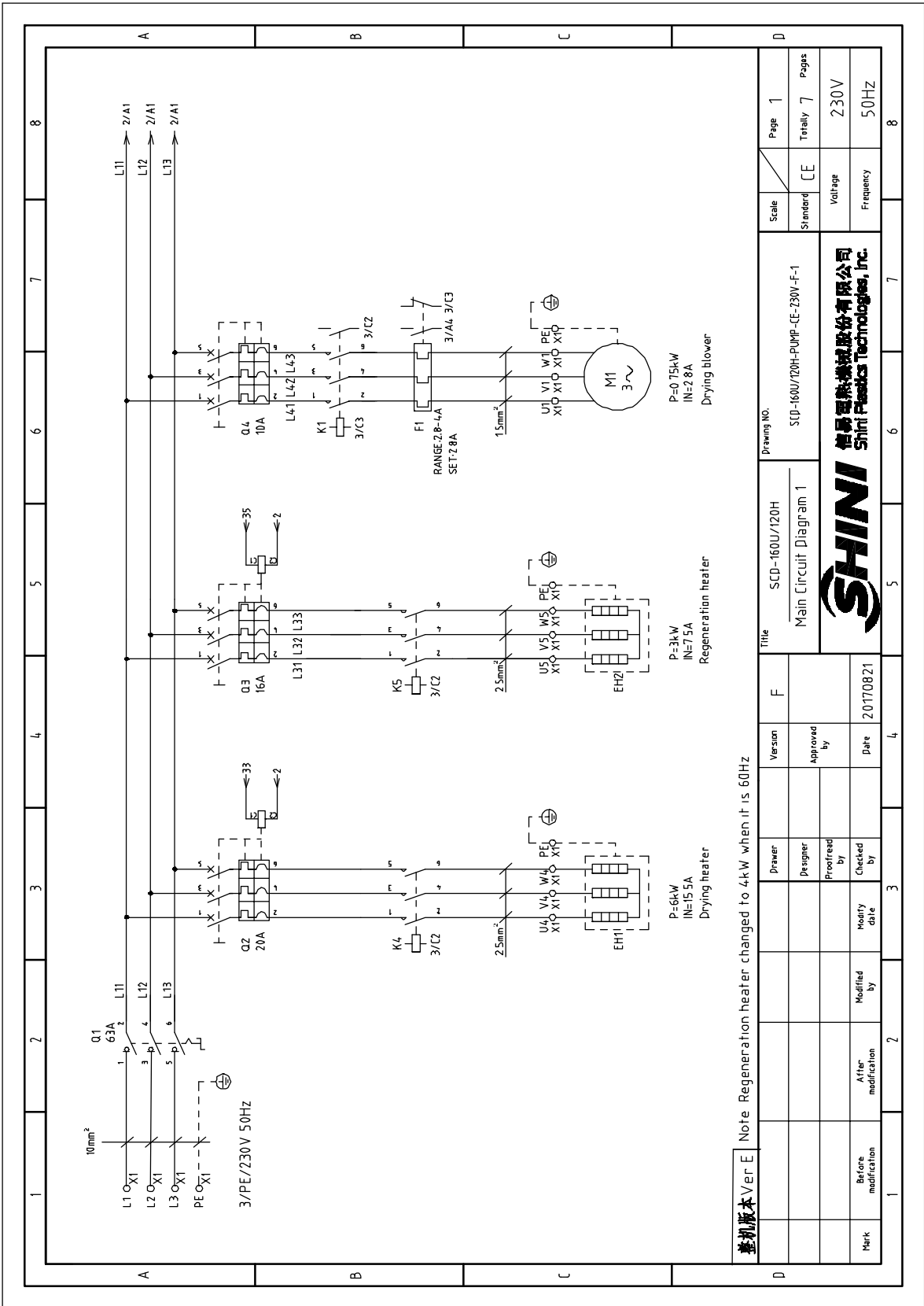
1	2	3	4	5	6	7	8		
NO	Symbol	Name	Manufacturer	Type	Specification	Number	Material number	Remark	
1	Q1	Main power switch	EATON	PZ-63-EA/SVB	63A	1	YE10163630000		
2	Q2	Circuit-breaker	TECO	BM-63C 3P	20A	1	YE40302003000		
3	Q3 Q6	Circuit-breaker	TECO	BM-63C 3P	16A	2	YE40301603000	A	
4		Excitation release	TECO	MX	220V 50/60Hz	2	YE40023560000		
5	Q4	Circuit-breaker	TECO	BM-63C 3P	10A	1	YE40301003000		
6	Q5	Circuit-breaker	TECO	BM-63C 3P	6A	1	YE40300603000		
7	K1 K2 K3	Contact	SIEMENS	3RT6016-1AN21	220V 50/60Hz	3	YE00601621000		
8	K4	Contact	SIEMENS	3RT6026-1ANZ0	220V 50/60Hz	1	YE00602622000		
9	K5	Contact	SIEMENS	3RT6018-1AN21	220V 50/60Hz	1	YE00601800000		
10	K7 K8	Middle relay	WEIDMULLER	DRM270730LT	220V 50/60Hz	2	YE03270700000		
11	F1	Overload relay	SIEMENS	3RU1116-1EB0	2.8-4A	1	YE01280400100	B	
12	F2	Overload relay	SIEMENS	3RU6116-1DB0	2.2-3.2A	1	YE01160220000		
13	F3	Overload relay	SIEMENS	3RU6116-1HB0	5.5-8A	1	YE01160550000		
14	PCB	Microprocessor control board-display screen	PUMP	K SF878500A 01-01	-----	1	YEB08785000000		
15	U	DC power	MEAN WELL	NES-35-24	OUT=DC24V 15A	1	YE71352400100		
16	FU1	Fuse base	CHINT	RT18-32	2P	1	YE41032200000		
17		Fuse	CHINT	10x38 500V	2A	2	YE46002000100		
18	S1	Reed switch	FOTEK	FC-12V	24VDC	1	----	(1)	
19	S2	Photoelectric switch	FOTEK	T18-3MNB-PE	24VDC	1	----	(1)	
20	S3	Dew-point transducer	CS	CS 217-OEM	POWER=24VDC OUT=4-20mA	1	YE90021700100	(1)(2)	
21	S4	Micro switch	TEND	----	25.0V 5(4)A	1	----	(1)	
22	S5 S6	Temperature protector	EG0	WR-A-50-300-2500-3	25.0V 5(4)A	2	----	(1)	
23	S7 S8 S9	Thermocouple	SHINI	ST-K	K	3	----	(1)	
24	Y1Y2 Y3 Y5	Solenoid valve	----	MSFW-230-50/60	230V 50/60Hz	4	----	(1)	
25	Y4	Solenoid valve	----	MSFW-230-50/60	230V 50/60Hz	1	----	(1)(2)	
更改版本 Ver A Notes (1)Means it's not the material inside the control box (2)Stands for optional									
				Title SCD-120U/120H Electrical Components List 1		Drawing NO. SCD-120U/120H-PUMP-CE-230V-F-5		Scale Standard CE	
				Version F		Page 5		Voltage 230V	
				Approved by		Totaly 7		Frequency 50HZ	
				Proofread by					
				Checked by		Date 20170821			
				Modified by					
				Modify date					
Mark Before modification									
After modification									
D	1	2	3	4	5	6	7	8	



1	2	3	4	5	6	7	8	
NO	Symbol	Name	Manufacturer	Type	Specification	Number	Material number	Remark
26	H1	Buzzer	SHINI	PK-35A	220V 50/60Hz	1	YE84003500200	(1)
27	H2	Alarm indicator	SHINI	LED-3051	220V 50/60Hz	1	YE83305100200	(1)
28	X1	Terminal board	----	10mm ²	-	3	YE60001003200	A
29				10mm ² PE	-	1	YE60001003500	
30				4mm ²	-	15	YE60000403200	
31				4mm ² PE	-	5	YE60000403500	
32				2.5mm ²	-	16	YE60002503200	
33				2.5mm ²	32A 690V	4	YE60002503200	(2)
34				2.5mm ² PE	-	5	YE60002503400	
35				2.5mm ² PE	-	1	YE60002503400	(2)
36	X2	Terminal board	----	Spring Terminals SK2.5-TL	10A 250V	2	YE60002503600	B
37				Spring Terminals SK2.5-TL	10A 250V	1	YE60002503600	(2)
38				SK-25TL 零件	10A 250V	1	YE60001003600	
39	X3	Terminal board	----	2.5mm ²	-	5	YE60002503200	
40				2.5mm ² PE	-	1	YE60002503400	
41	X4	Heavy duty connector	SIBAS	HDC-HA-004.1	4P 10A	3	YE68041000100	(1)
42	X5	Heavy duty connector	SIBAS	HDC-HA-004.1	4P 10A	3	YE68041000100	(1)
43	X6	Heavy duty connector	SIBAS	HDC-HA-004.1	4P 10A	3	YE68041000100	(1)
44	FM	Fan	SUNON	DP-200A	230VAC	1	YM60121200400	(1)
45	M1	Blower	SHINI	-----	230V 0.75kW	1	-----	(1)
46	M2	Blower	SHINI	-----	230V 0.4kW	1	-----	(1)
47	M3	Blower	SHINI	-----	230V 1.5kW	1	-----	(1)
48	M4	Motor	----	-----	230V 0.015kW	1	-----	(1)
49	EH1	Heater	SHINI	-----	230V 6kW	1	-----	(1)
50	EH2	Heater	SHINI	-----	230V 3kW	1	-----	(1)
更改版本 Ver A Notes (1)Means it's not the material inside the control box. (2)Stands for optional							50Hz机型	
Title SED-120U/120H Electrical Components List 2							Scale Standard CE	
Drawing NO. SED-120U/120H-PUMP-CE-230V-F-6							Page 6	
Electrical Components List 2							Totally 7	
 SHINI 信昌理熱機股份有限公司 Shini Plasstics Technologies, Inc.							Voltage 230V	
Before modification							Frequency 50HZ	
Mark							Pages	
Designer							Standard	
Proofread by							Frequency	
Checked by							Pages	
Modify date							230V	
Date 20170821							50HZ	

1	2	3	4	5	6	7	8	
No	Symbol	Name	Manufacturer	Type	Specification	Number	Material number	Remark
51	EH2	Heater	SHINI	-----	230V 4kW	1	----- 60HZ机型	(1)
52	S10	Communication interface board RS-485 (double Dsub-9pin connector)	--	--	--	1	YE9004-8501200	(1)
53		Shell RS485(SAL-700G-A-1910)	--	--	--	1	YR4004-8500000	(1)
A								
B								
C								
D								
整机版本 Ver A Notes: (1)Means it's not the material inside the control box. (2)Stands for optional.								
			Drawer	Version	Title	Drawing NO.		Scale
			Designer	Approved by	SCD-120U/120H	SCD-120U/120H-PUMP-CE-230V-F-7		Page 7
			Proofread by		Electrical Components List 3		Standard	Totally 7 Pages
			Checked by	Date			CE	230V
			Modify date	20170821			Frequency	50HZ
Mark			Before modification	Modified by			8	





基本版本 Ver E

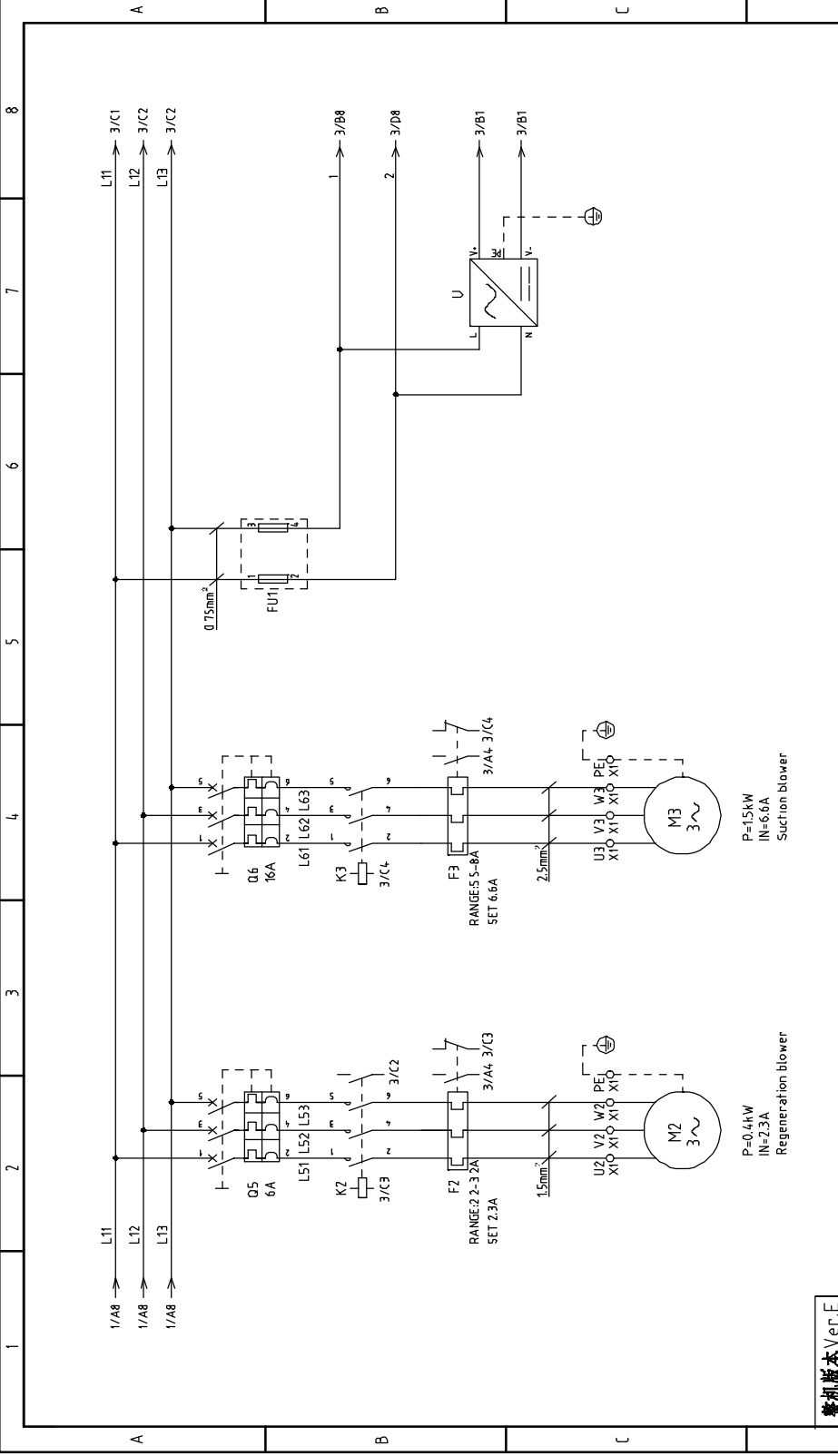
Note Regeneration heater changed to 4kW when it is 60Hz

Mark	Before modification	After modification	Modified by	Modify date	Checked by	Approved by	Version	F
								20170821

Title		Drawing No.	
SCD-160U/120H		SCD-160U/120H-PUMP-CE-230V-F-1	
Main Circuit Diagram 1			



Scale	Page
Standard	CE
Volpage	230V
Frequency	50Hz
Totally	7
Pages	8

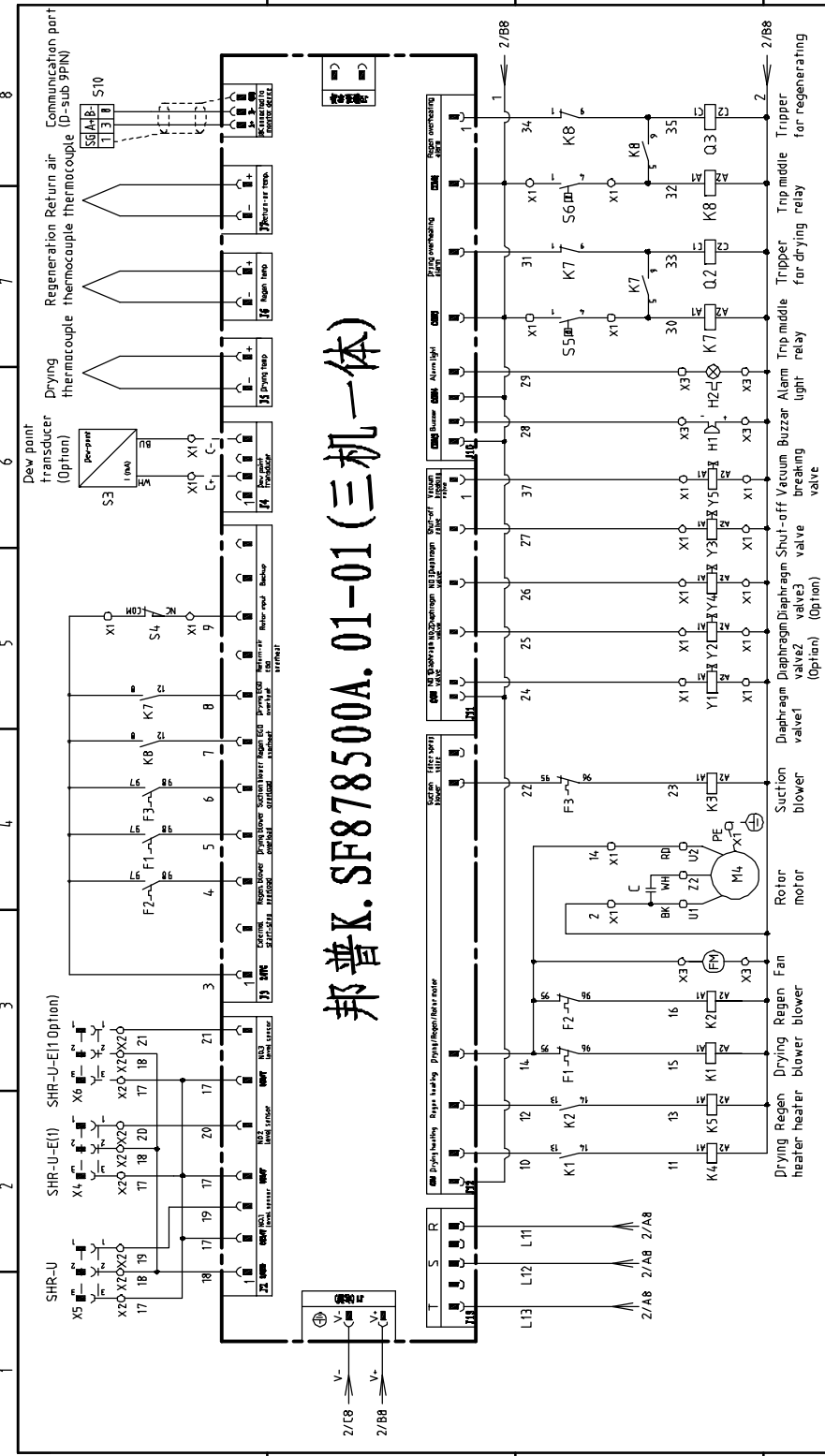


整机版本 Ver.E

Title		Drawing NO.		Scale	Page
SCD-160U/120H		SCD-160U/120H-PUMP-CE-230V-F-2		Standard	2
Main Circuit Diagram 2		CE		Volpage	Totally 7
Version		Approved by		Frequency	230V
Designer		Checked by		Frequency	50Hz
Proctread by		Modify date			
Date		20170821			
Before modification		After modification			
Mark					



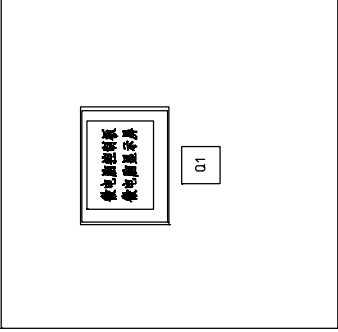
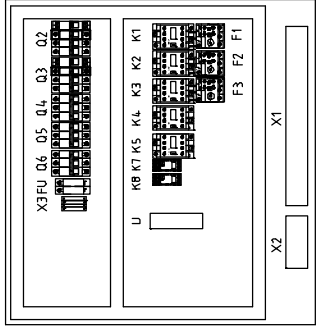
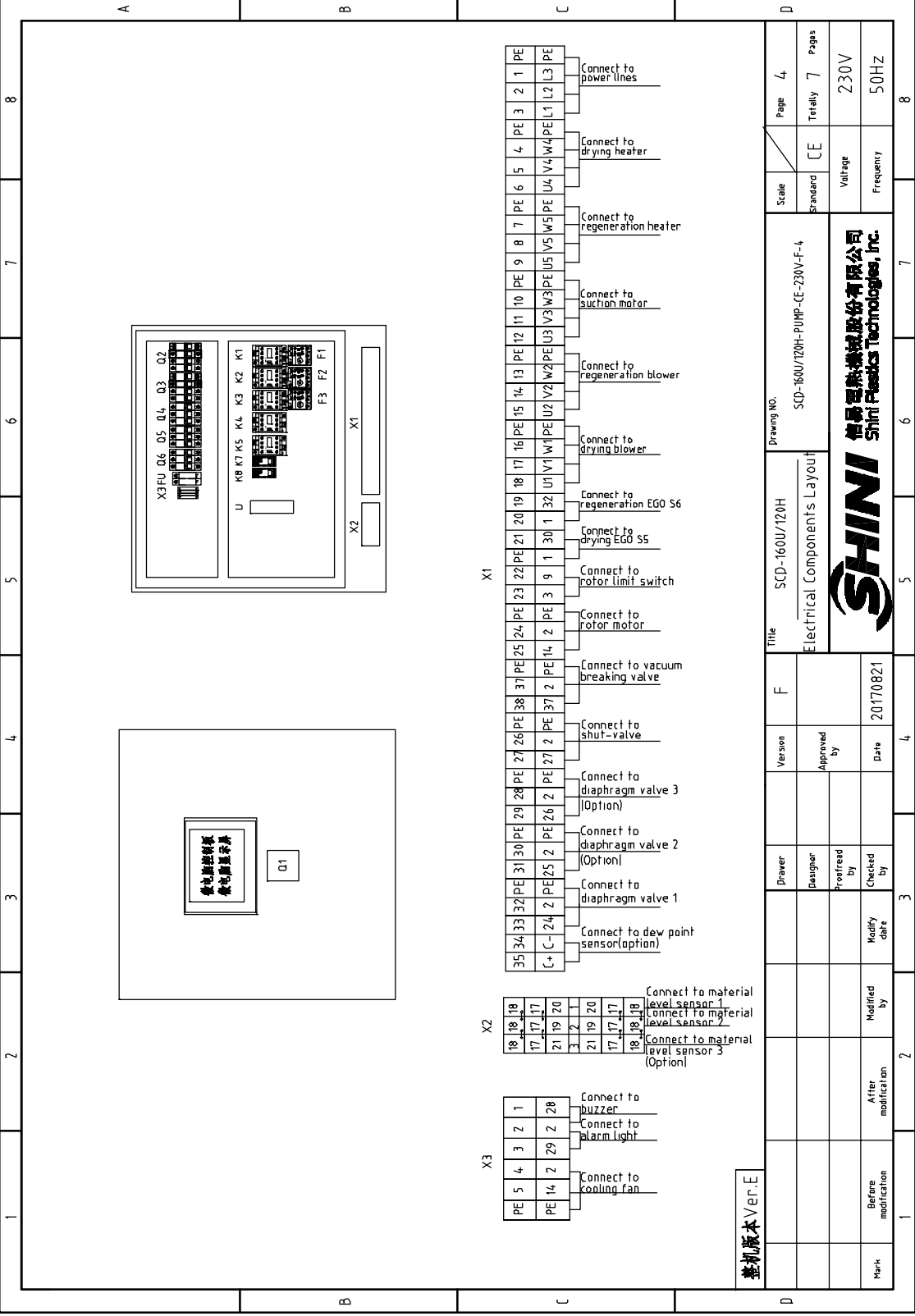
邦普K.SF878500A.01-01 (三机一体)



整机版本 Ver.E

	Title	SCD-160U/120H		Drawing No.	SCD-160U/120H-PUMP-CE-230V-E-3		Page	3
	Control Circuit Diagram			Scale	Standard		Totally	7
		Version	Approved by				Voltage	230V
		Designer	Protestrad by				Frequency	50Hz
		Checked by	Date					
		Modify date	20170821					
	After modification	Modified by						
	Before modification	Modify date						





Terminal	Label	Connection
X3	PE 5	Connect to cooling fan
X3	PE 14	Connect to alarm light
X3	2	Connect to buzzer
X3	1	Connect to buzzer
X3	28	Connect to alarm light
X2	18	Connect to material level sensor 1
X2	17	Connect to material level sensor 2
X2	21	Connect to material level sensor 3 (Option)
X2	19	Connect to material level sensor 3 (Option)
X2	20	Connect to material level sensor 3 (Option)
X2	2	Connect to material level sensor 3 (Option)
X2	1	Connect to material level sensor 3 (Option)
X2	21	Connect to material level sensor 3 (Option)
X2	17	Connect to material level sensor 3 (Option)
X2	18	Connect to material level sensor 3 (Option)
X1	35	Connect to dew point sensor (option)
X1	34	Connect to dew point sensor (option)
X1	33	Connect to diaphragm valve 1
X1	32	Connect to diaphragm valve 1
X1	31	Connect to diaphragm valve 2 (Option)
X1	30	Connect to diaphragm valve 2 (Option)
X1	29	Connect to diaphragm valve 3 (Option)
X1	28	Connect to diaphragm valve 3 (Option)
X1	27	Connect to shut-valve
X1	26	Connect to shut-valve
X1	24	Connect to shut-valve
X1	25	Connect to shut-valve
X1	23	Connect to shut-valve
X1	22	Connect to vacuum breaking valve
X1	21	Connect to vacuum breaking valve
X1	19	Connect to rotor motor
X1	18	Connect to rotor motor
X1	17	Connect to rotor limit switch
X1	16	Connect to rotor limit switch
X1	15	Connect to regeneration EGO S6
X1	14	Connect to regeneration EGO S6
X1	13	Connect to regeneration blower
X1	12	Connect to regeneration blower
X1	11	Connect to suction motor
X1	10	Connect to suction motor
X1	9	Connect to regeneration heater
X1	8	Connect to regeneration heater
X1	7	Connect to regeneration heater
X1	6	Connect to regeneration heater
X1	5	Connect to regeneration heater
X1	4	Connect to regeneration heater
X1	3	Connect to regeneration heater
X1	2	Connect to regeneration heater
X1	1	Connect to regeneration heater
X1	11	Connect to drying heater
X1	10	Connect to drying heater
X1	9	Connect to drying heater
X1	8	Connect to drying heater
X1	7	Connect to drying heater
X1	6	Connect to drying heater
X1	5	Connect to drying heater
X1	4	Connect to drying heater
X1	3	Connect to drying heater
X1	2	Connect to drying heater
X1	1	Connect to drying heater
X1	11	Connect to power lines
X1	10	Connect to power lines
X1	9	Connect to power lines
X1	8	Connect to power lines
X1	7	Connect to power lines
X1	6	Connect to power lines
X1	5	Connect to power lines
X1	4	Connect to power lines
X1	3	Connect to power lines
X1	2	Connect to power lines
X1	1	Connect to power lines

最初版本 Ver. E

No.	Revision	Before modification	After modification	Modified by	Modify date	Checked by	Checked date	Designed by	Drawer	Version	F	Title	Drawing No.	Page	4
														Totally	7
Electrical Components Layout													CE	7	
SCD-160U/120H													Standard	4	
SCD-160U/120H-PUMP-CE-230V-F-4													Voltage	230V	
SHINI 怡昇理熱機城股份有限公司 Shini Plastics Technologies, Inc.													Frequency	50HZ	

1	2	3	4	5	6	7	8	
NO	Symbol	Name	Manufacturer	Type	Specification	Number	Material number	Remark
1	Q1	Main power switch	EATON	PZ-63-EA/SVB	63A	1	YE10163630000	
2	Q2	Circuit-breaker	TECO	BM-63C 3P	20A	1	YE40302003000	
3	Q3 Q6	Circuit-breaker	TECO	BM-63C 3P	16A	2	YE40301603000	A
4		Excitation release	TECO	MX	220V 50/60Hz	2	YE40023560000	
5	Q4	Circuit-breaker	TECO	BM-63C 3P	10A	1	YE40301003000	
6	Q5	Circuit-breaker	TECO	BM-63C 3P	6A	1	YE40300603000	
7	K1 K2 K3	Contactor	SIEMENS	3RT6016-1AN21	220V 50/60Hz	3	YE00601621000	
8	K4	Contactor	SIEMENS	3RT6026-1ANZ0	220V 50/60Hz	1	YE00602622000	
9	K5	Contactor	SIEMENS	3RT6018-1AN21	220V 50/60Hz	1	YE00601800000	
10	K7 K8	Middle relay	WEIDMULLER	DRM270730LT	220V 50/60Hz	2	YE03270700000	
11	F1	Overload relay	SIEMENS	3RU1116-1EB0	2.8-4A	1	YE01280400100	B
12	F2	Overload relay	SIEMENS	3RU6116-1DB0	2.2-3.2A	1	YE01160220000	
13	F3	Overload relay	SIEMENS	3RU6116-1HB0	5.5-8A	1	YE01160550000	
14	PCB	Microprocessor control board display screen	PUMP	K SF878500A 01-01	-----	1	YE80878500000	
15	U	DC power	MEAN WELL	NES-35-24	OUT=DC24V 15A	1	YE71352400100	
16	FU1	Fuse base	CHINT	RT18-32	2P	1	YE41032200000	
17		Fuse	CHINT	10x38 500V	2A	2	YE46002000100	
18	S1	Reed switch	FOTEK	FC-12V	24VDC	1	----	(1)
19	S2	Photoelectric switch	FOTEK	T18-3MNB-PE	24VDC	1	----	(1)
20	S3	Dew-point transducer	CS	CS 217-OEM	POWER=24VDC OUT=4-20mA	1	YE90021700100	(1)(2)
21	S4	Micro switch	TEND	----	250V 5(4)A	1	----	(1)
22	S5 S6	Temperature protector	EG0	WR-A-50-300-2500-3	250V 5(4)A	2	----	(1)
23	S7 S8 S9	Thermocouple	SHINI	ST-K	K	3	----	(1)
24	Y1Y2 Y3 Y5	Solenoid valve	----	MSFW-230-50/60	230V 50/60Hz	4	----	(1)
25	Y4	Solenoid valve	----	MSFW-230-50/60	230V 50/60Hz	1	----	(1)(2)
D	Ver E	Notes: (1)Means it's not the material inside the control box (2)S stands for optional.	Drawing NO.	Title	Scale	Page	Standard	Voltage
			Designer	Version	SCD-160U/120H	5	CE	230V
			Proofread by	Approved by	Electrical Components List 1	7	Frequency	50HZ
			Checked by	Date	SHINI	Totally		
			Modify date	20170821	SHINI 怡昇塑膠機械股份有限公司 Shini Plastics Technologies, Inc.	Pages		
Mark	Before modification	After modification	Modified by			8		

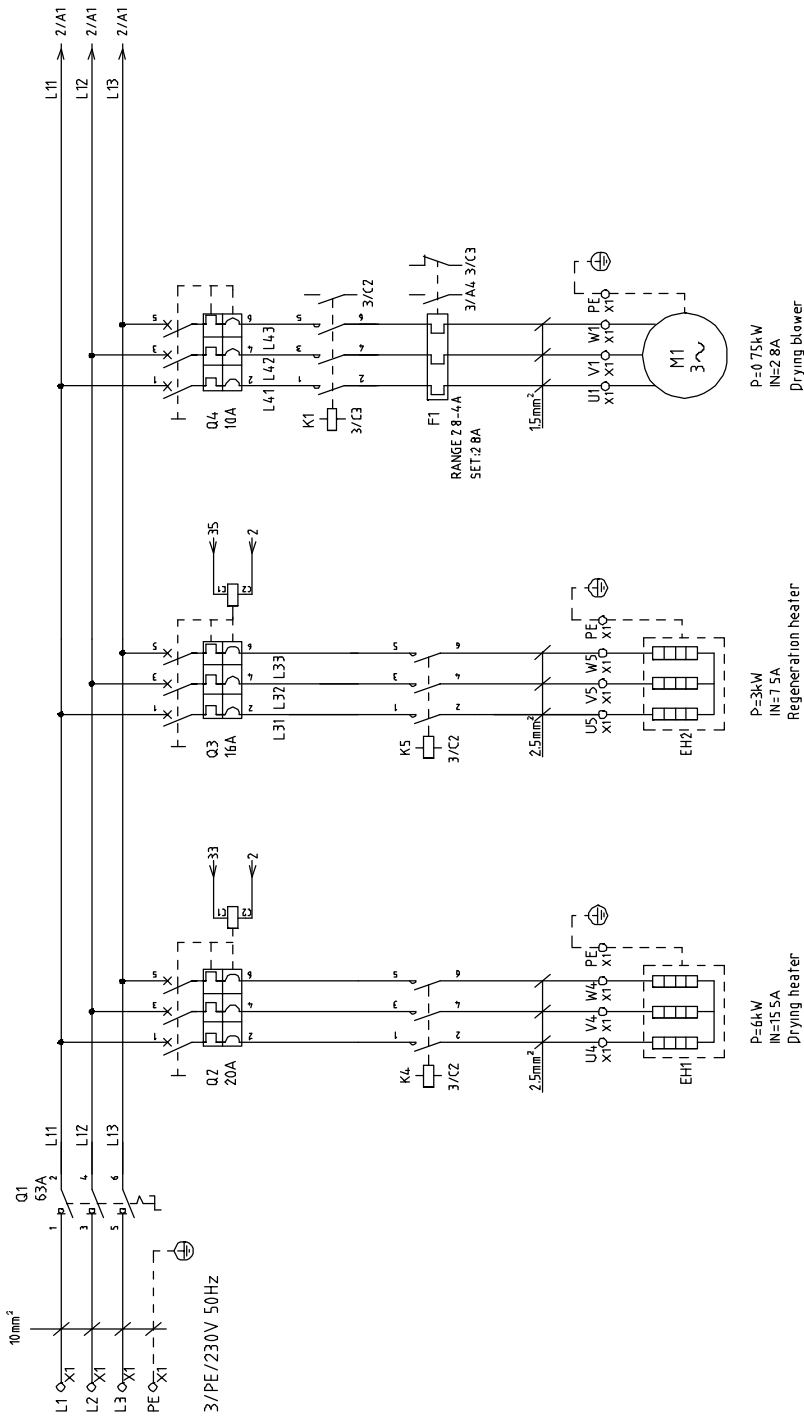
1	2	3	4	5	6	7	8	
NO	Symbol	Name	Manufacturer	Type	Specification	Number	Material number	Remark
26	H1	Buzzer	SHINI	PK-35A	220V 50/60HZ	1	YE84003500200	(1)
27	H2	Alarm indicator	SHINI	LED-3051	220V 50/60HZ	1	YE83305100200	(1)
28	X1	Terminal board	----	10mm ²	-	3	YE60001003200	A
29				10mm ² PE	-	1	YE60001003500	
30				4mm ²	-	15	YE60000403200	
31				4mm ² PE	-	5	YE60000403500	
32				2.5mm ²	-	16	YE60002503200	
33				2.5mm ²	32A 690V	4	YE60002503200	(2)
34				2.5mm ² PE	-	5	YE60002503400	
35				2.5mm ² PE	-	1	YE60002503400	(2)
36	X2	Terminal board	----	Spring Terminals SK2.5-TL	10A 250V	2	YE60002503600	B
37				Spring Terminals SK2.5-TL	10A 250V	1	YE60002503600	(2)
38				SK-2.5TL接线件	10A 250V	1	YE60001003600	
39	X3	Terminal board	----	2.5mm ²	-	5	YE60002503200	
40				2.5mm ² PE	-	1	YE60002503400	
41	X4	Heavy duty connector	SIBAS	HDC-HA-004.1	4P 10A	3	YE68041000100	(1)
42	X5	Heavy duty connector	SIBAS	HDC-HA-004.1	4P 10A	3	YE68041000100	(1)
43	X6	Heavy duty connector	SIBAS	HDC-HA-004.1	4P 10A	3	YE68041000100	(1)
44	FM	Fan	SUNON	DP-200A	230VAC	1	YM6121200400	C
45	M1	Blower	SHINI	-----	230V □ 75kW	1	-----	(1)
46	M2	Blower	SHINI	-----	230V □ 4kW	1	-----	(1)
47	M3	Blower	SHINI	-----	230V 1.5kW	1	-----	(1)
48	M4	Motor	----	-----	230V □ 015kW	1	-----	(1)
49	EH1	Heater	SHINI	-----	230V 6kW	1	-----	(1)
50	EH2	Heater	SHINI	-----	230V 3kW	1	-----	(1)
整机版本 Ver E Notes: (1)Means it's not the material inside the control box (2)Stands for optional								
Drawing NO. SCD-160U/120H-PUMP-LE-230V-F-6 Electrical Components List 2			Title SCD-160U/120H-PUMP-LE-230V-F-6		Scale Standard CE		Page 6 Totaly 7 Pages	
Designer Proofread by Checked by Modify date			Version Approved by Date		Voltage Frequency		230V 50HZ	
After modification Modified by Modify date			Date 20170821		SHINI 信昌理热模塑股份有限公司 Shini Plastics Technologies, Inc.		230V 50HZ	



信昌理热模塑股份有限公司
Shini Plastics Technologies, Inc.

1	2	3	4	5	6	7	8	
No	Symbol	Name	Manufacturer	Type	Specification	Number	Material number	Remark
51	EH2	Heater	SHINI	-----	230V 4kW	1	----- 60HZ机型	(I)
52	S10	Communication interface board RS-485 (double D-sub-9pin connector)	--	--	--	1	YE9004-8501200	(I)
53		Shell RS485(SAL-700G-A-1910)	--	--	--	1	YR4004-8500000	(I)
A								
B								
C								
D								
差别版本 Ver E Notes: (1)Means it's not the material inside the control box (2)Stands for optional							Scale Standard CE	
Title SCD-160U/120H Electrical Components List 3				Drawing NO. SCD-160U/120H-PUMP-CE-230V-F-7		Page 7 Totally 7 Pages		
Mark Before modification		After modification Modified by Modify date		Date 20170821		Voltage Frequency 230V 50HZ		
1	2	3	4	5	6	7	8	

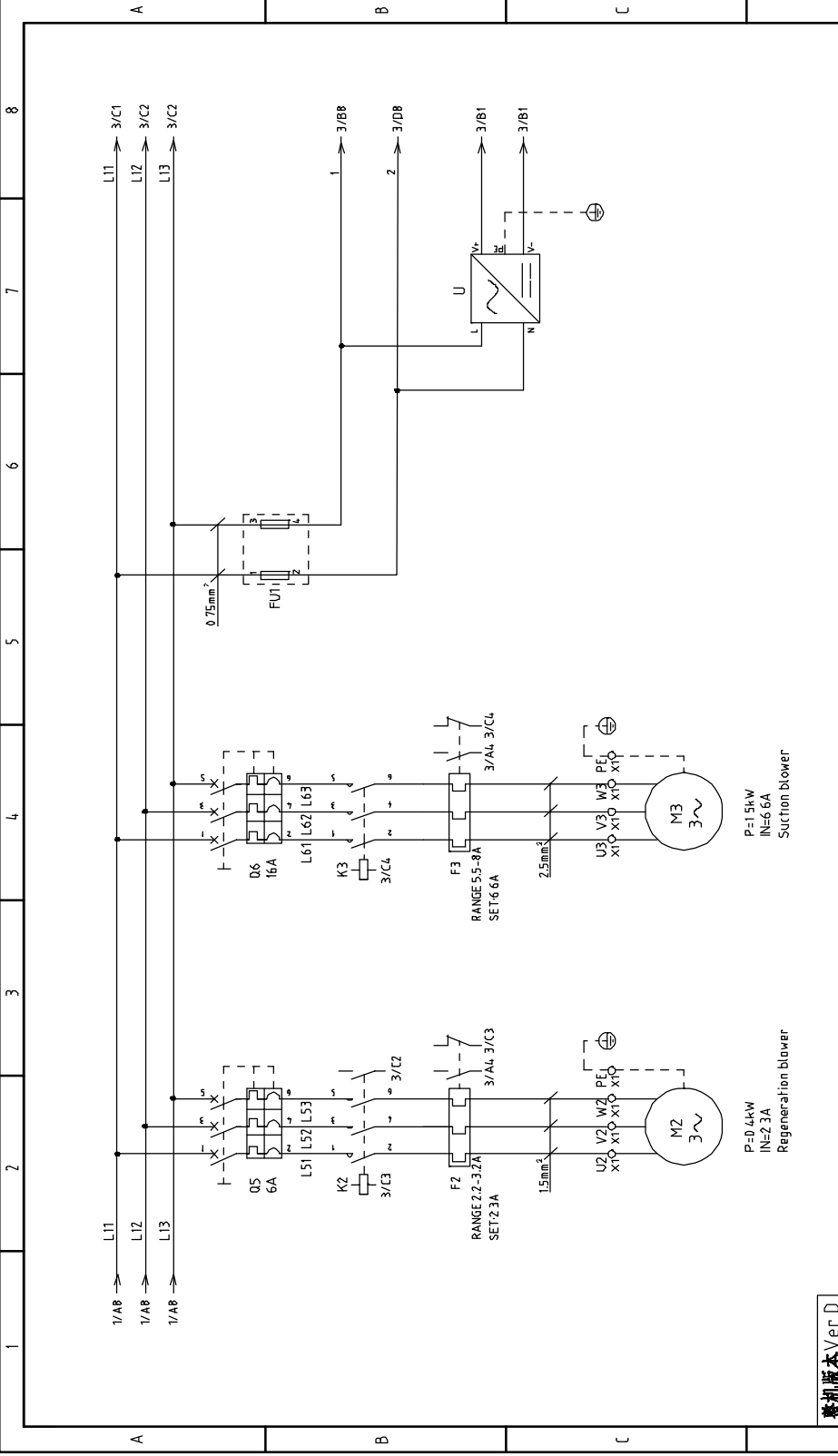




整机版本 Ver D Note Regeneration heater changed to 4kW when it is 60Hz

Mark	Before modification	After modification	Modified by	Modify date	Checked by	Date	20170821
Designer	Approved by	Version	F	Title	SCD-230U/120H	Drawing No.	SCD-230U/120H-PUMP-CE-230V-F-1
Scale	CE	Page 1	Totally 7	Pages	230V	Frequency	50Hz

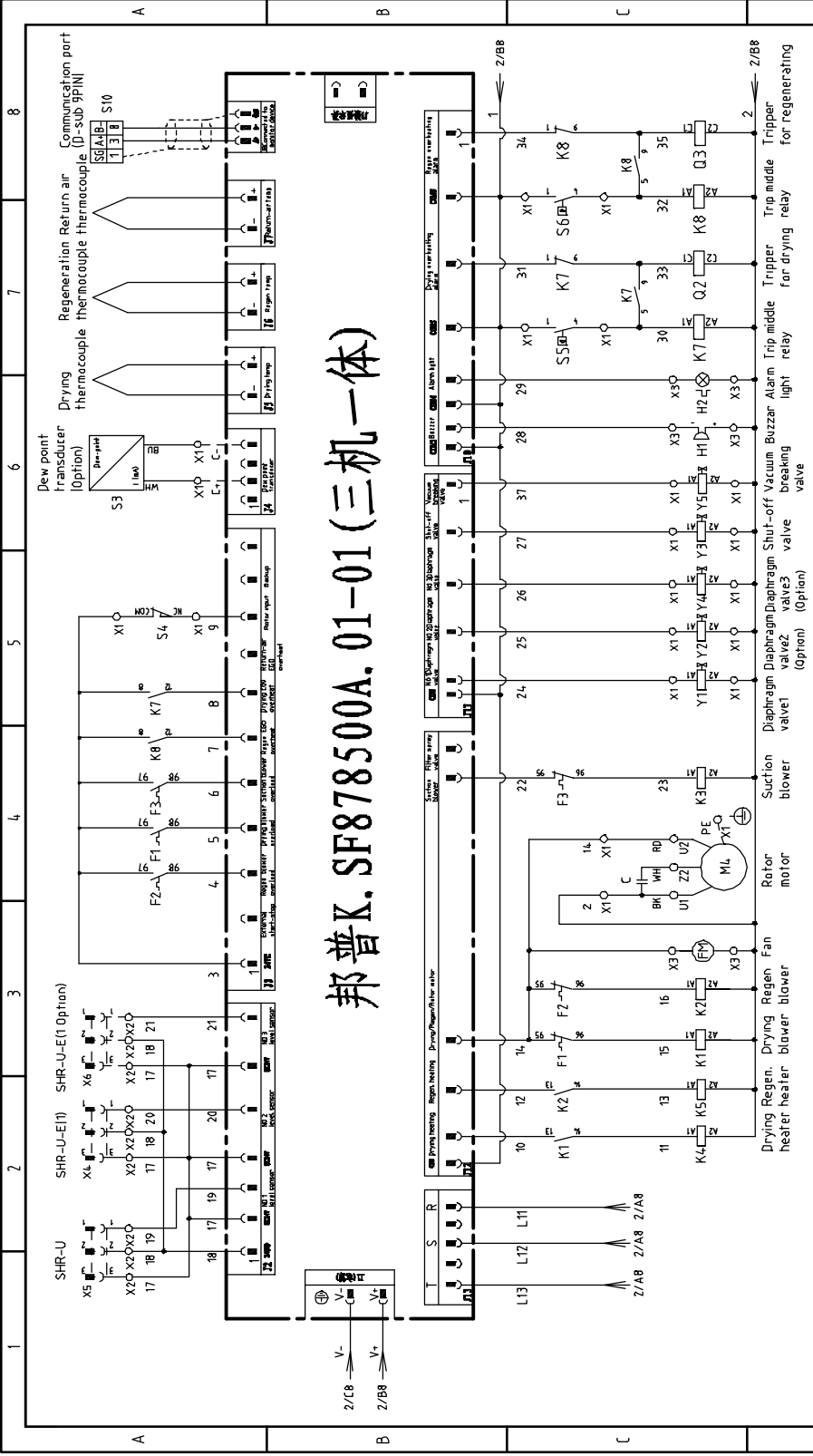




整机版本 Ver D

Title		Drawing NO.		Scale	Page
SCD-230U/120H Main Circuit Diagram 2		SCD-230U/120H-PUMP-CE-230V-F-2		Standard	2
Version		Approved by		Standards	Totally 7
Date		Checked by		Voltage	230V
Modify date		Modify by		Frequency	50HZ
Mark		Before modification			
Date		20170821			
Checked by					
Designer					
Drawer					

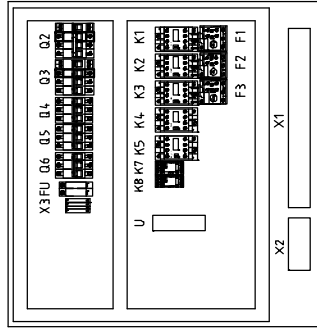
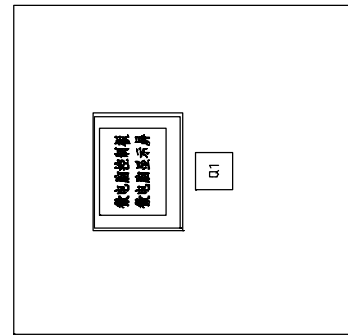




整机版本 Ver D

Mark	Before modification	After modification	Modified by	Modify date	Checked by	Date	20170821
			Protestad by	Approved by	Version	F	
Title							
SCD-230U/120H				SCD-230U/120H-PUMP-CE-230V-F-3			
Drawing No.				Page 3			
Standard				CE			
Voltage				230V			
Frequency				50Hz			
Totally				Page 7			





- X3
- PE 5 4 3 2 1
 - PE 14 2 29 2 28
- Connect to cooling fan
- Connect to alarm light
- Connect to buzzer

- X2
- 18 18 18
 - 17 17 17
 - 21 19 20
 - 3 7 11
 - 21 19 20
 - 17 17 17
 - 18 18 18
- Connect to material level sensor 1
- Connect to material level sensor 2
- Connect to material level sensor 3 (Option)


- X1
- 35 34 33 32 PE 31 30 PE 29 28 PE 27 26 PE 38 37 PE 25 24 PE 23 22 PE 21 20 19 18 17 16 PE 15 14 13 PE 12 11 10 PE 9 8 7 PE 6 5 4 PE 3 2 1 PE
 - (+ C- 24 2 PE 25 2 PE 26 2 PE 27 2 PE 37 2 PE 14 2 PE 14 2 PE 3 9 1 30 1 32 U1 V1 W1 PE U2 V2 W2 PE U3 V3 W3 PE U5 V5 W5 PE U4 V4 W4 PE L1 L2 L3 PE
- Connect to dew point sensor (option)
- Connect to diaphragm valve 1
- Connect to diaphragm valve 2 (Option)
- Connect to diaphragm valve 3 (Option)
- Connect to shut-valve
- Connect to vacuum breaking valve
- Connect to rotor motor
- Connect to rotor limit switch
- Connect to drying EGO S5
- Connect to regeneration EGO S6
- Connect to drying blower
- Connect to regeneration blower
- Connect to suction motor
- Connect to regeneration heater
- Connect to drying heater
- Connect to power lines

最初版本 Ver.D

Rev	Before modification	After modification	Modified by	Modify date	Checked by	Desigined by	Drawer	Version	F	Title	Drawing NO.	Scale	Page
								Approved by		SCD-230U/120H Electrical Components Layout	SCD-230U/120H-PUMP-CE-23IV-F-4	Standard	4
								Design				CE	Totally 7
					20170821				D5**			230V	Pages
												Frequency	50Hz

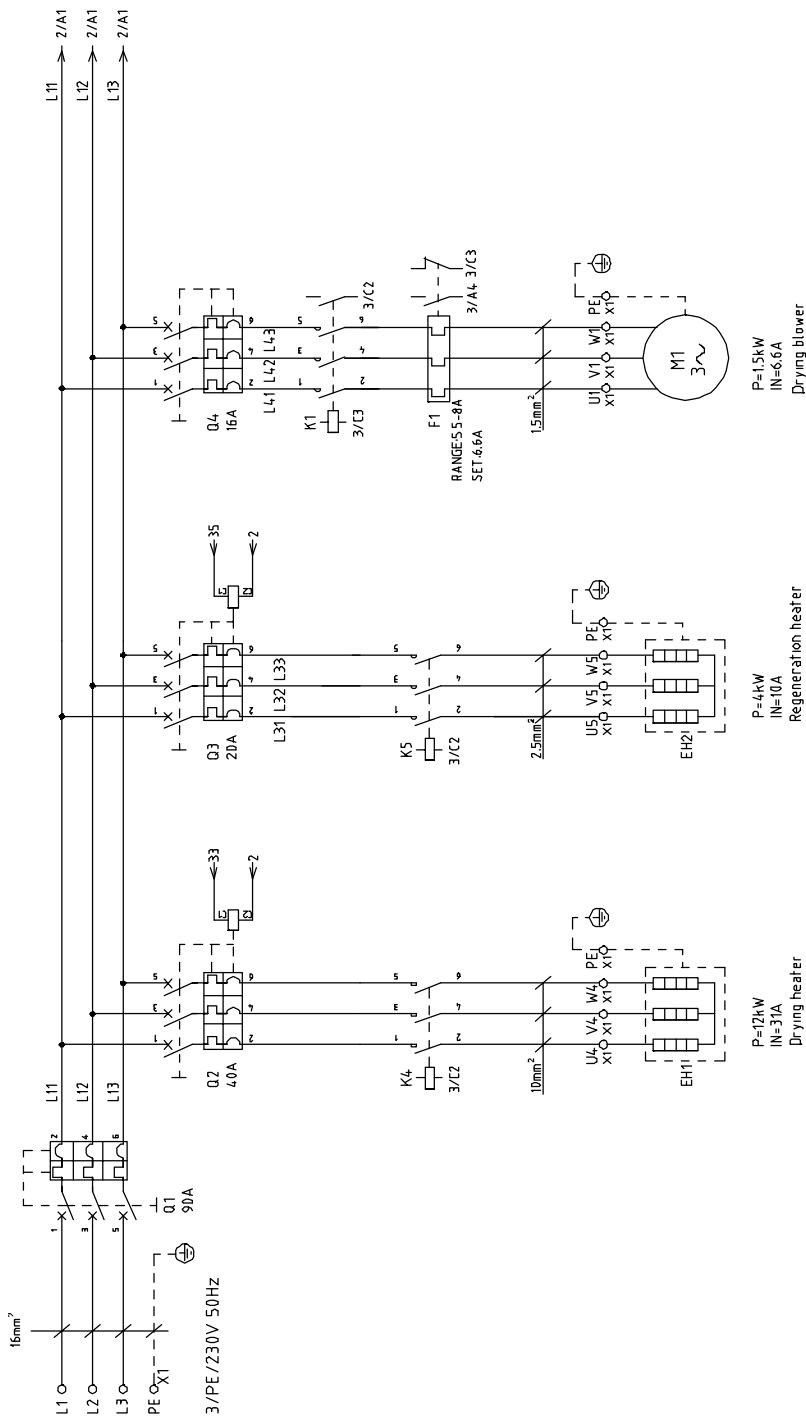


1	2	3	4	5	6	7	8	
NO	Symbol	Name	Manufacturer	Type	Specification	Number	Material number	Remark
1	Q1	Main power switch	EATON	PZ-63-EA/SVB	63A	1	YE10163630000	
2	Q2	Circuit-breaker	TECO	BM-63C 3P	20A	1	YE40302003400	
3	Q3 Q6	Circuit-breaker	TECO	BM-63C 3P	16A	2	YE40301603000	A
4		Excitation release	TECO	MX	220V 50/60Hz	2	YE40023560000	
5	Q4	Circuit-breaker	TECO	BM-63C 3P	10A	1	YE40301003000	
6	Q5	Circuit-breaker	TECO	BM-63C 3P	6A	1	YE40300603000	
7	K1 K2 K3	Contact	SIEMENS	3RT6016-1AN21	220V 50/60Hz	3	YE00601621000	
8	K4	Contact	SIEMENS	3RT6026-1ANZ0	220V 50/60Hz	1	YE00602622000	
9	K5	Contact	SIEMENS	3RT6018-1AN21	220V 50/60Hz	1	YE00601800000	
10	K7 K8	Middle relay	WEIDMULLER	DRM270730LT	220V 50/60Hz	2	YE03270700000	
11	F1	Overload relay	SIEMENS	3RU1116-1EB0	2.8-4A	1	YE01280400100	B
12	F2	Overload relay	SIEMENS	3RU6116-1DB0	2.2-3.2A	1	YE01160220000	
13	F3	Overload relay	SIEMENS	3RU6116-1HB0	5.5-8A	1	YE01160550000	
14	PCB	Microprocessor control board-display screen	PUMP	K SF878500A 01-01	-----	1	YE80878500000	
15	U	DC power	MEAN WELL	NES-35-24	OUT=DC24V 15A	1	YE71352400100	
16	FU1	Fuse base	CHINT	RT18-32	2P	1	YE41032200000	
17		Fuse	CHINT	10x38 500V	2A	2	YE46002000100	
18	S1	Reed switch	FOTEK	FC-12V	24VDC	1	----	(1)
19	S2	Photoelectric switch	FOTEK	T18-3MNB-PE	24VDC	1	----	(1)
20	S3	Dew-point transducer	CS	CS 217-OEM	POWER=24VDC OUT=4-20mA	1	YE90021700100	(1)(2)
21	S4	Micro switch	TEND	-----	25.0V 5(4)A	1	----	(1)
22	S5 S6	Temperature protector	EG0	WR-A-50-300-2500-3	25.0V 5(4)A	2	----	(1)
23	S7 S8 S9	Thermocouple	SHINI	ST-K	K	3	----	(1)
24	Y1 Y2 Y3 Y5	Solenoid valve	----	MSFW-230-50/60	230V 50/60Hz	4	----	(1)
25	Y4	Solenoid valve	----	MSFW-230-50/60	230V 50/60Hz	1	----	(1)(2)
資料版本 Ver. D Notes: (1)Means it's not the material inside the control box (2)Stand for optional.								
			Drawer	Version	F	Title		D
			Designer	Approved by	Drawing NO. SCD-230U/120H SCD-230U/120H-PUMP-EE-230V-F-5			Scale
			Proofread by	Electrical Components List 1			Standard	Page 5
			Checked by	Date	SHINI			Totally 7
			Modify date	20170821	SHINI 怡思理熱機城股份有限公司 Shini Plastics Technology, Inc.			Pages
Mark			Before modification	Modified by	Voltage			230V
			After modification		Frequency			50HZ
1	2	3	4	5	6	7	8	

1	2	3	4	5	6	7	8		
NO	Symbol	Name	Manufacturer	Type	Specification	Number	Material number	Remark	
26	H1	Buzzer	SHINI	PK-35A	220V 50/60HZ	1	YE84003500200	(1)	
27	H2	Alarm indicator	SHINI	LED-3051	220V 50/60HZ	1	YE83305100200	(1)	
28	X1	Terminal board	----	10mm ²	-	3	YE60001003200	A	
29				10mm ² PE	-	1	YE60001003500		
30				4mm ²	-	15	YE60000403200		
31				4mm ² PE	-	5	YE60000403500		
32				2.5mm ²	-	16	YE60002503200		
33				2.5mm ²	32A 690V	4	YE60002503200	(2)	
34				2.5mm ² PE	-	5	YE60002503400		
35				2.5mm ² PE	-	1	YE60002503400	(2)	
36	X2	Terminal board	----	Spring terminals SK2.5-TL	10A 250V	2	YE60002503600	B	
37				Spring terminals SK2.5-TL	10A 250V	1	YE60002503600	(2)	
38				SK-2.5TL桥接件	10A 250V	1	YE60001003600		
39	X3	Terminal board	----	2.5mm ²	-	5	YE60002503200		
40				2.5mm ² PE	-	1	YE60002503400		
41	X4	Heavy duty connector	SIBAS	HDC-HA-004.1	4P 10A	3	YE68041000100	(1)	
42	X5	Heavy duty connector	SIBAS	HDC-HA-004.1	4P 10A	3	YE68041000100	(1)	
43	X6	Heavy duty connector	SIBAS	HDC-HA-004.1	4P 10A	3	YE68041000100	(1)	
44	FM	Fan	SUNON	DP-200A	230VAC	1	YM60121200400	C	
45	M1	Blower	SHINI	-----	230V □ 75kW	1	-----	(1)	
46	M2	Blower	SHINI	-----	230V □ 4kW	1	-----	(1)	
47	M3	Blower	SHINI	-----	230V 1.5kW	1	-----	(1)	
48	M4	Motor	----	-----	230V □ 015kW	1	-----	(1)	
49	EH1	Heater	SHINI	-----	230V 6kW	1	-----	(1)	
50	EH2	Heater	SHINI	-----	230V 3kW	1	-----	(1)	
整机版本 Ver. D Notes (1)Means it's not the material inside the control box. (2)Stands for optional Drawing NO. SCD-230U/120H SCD-230U/120H-PUMP-CE-230V-F-6 Electrical Components List 2								D	
						Scale		Page 6	
						Standard		CE	
						Voltage		230V	
						Frequency		50HZ	
 SHINI 信昌理热模塑股份有限公司 Shini Plastics Technologies, Inc.						Voltage		230V	
Mark: Before modification After modification Modified by Modify date						Date		20170821	
1	2	3	4	5	6	7	8	9	10

1	2	3	4	5	6	7	8	
No	Symbol	Name	Manufacturer	Type	Specification	Number	Material number	Remark
51	EH2	Heater	SHINI	-----	230V 4kW	1	----- 60HZ机型	(I)
52	S10	Communication interface board RS-485 (double Dsub-9pin connector)	--	--	--	1	YE9004-8501200	(I)
53		Shell RS485(SAL-700G-A-1910)	--	--	--	1	YR4004-8500000	(I)
A								
B								
C								
D								
資料版本 Ver. D (Notes: (I)Means it's not the material inside the control box. (2)Stands for optional								
			Drawing NO. SCD-230U/120H SCD-230U/120H-PUMP-CE-23IV-F-7 Electrical Components List 3		Scale Standard CE		Page 7 Totally 7 Pages	
			Title SCD-230U/120H Electrical Components List 3		Version F		Voltage 230V Frequency 50HZ	
			Designer Proofread by Checked by Date 20170821		Approved by			
			Before modification Modified by Modify date		After modification			
1	2	3	4	5	6	7	8	

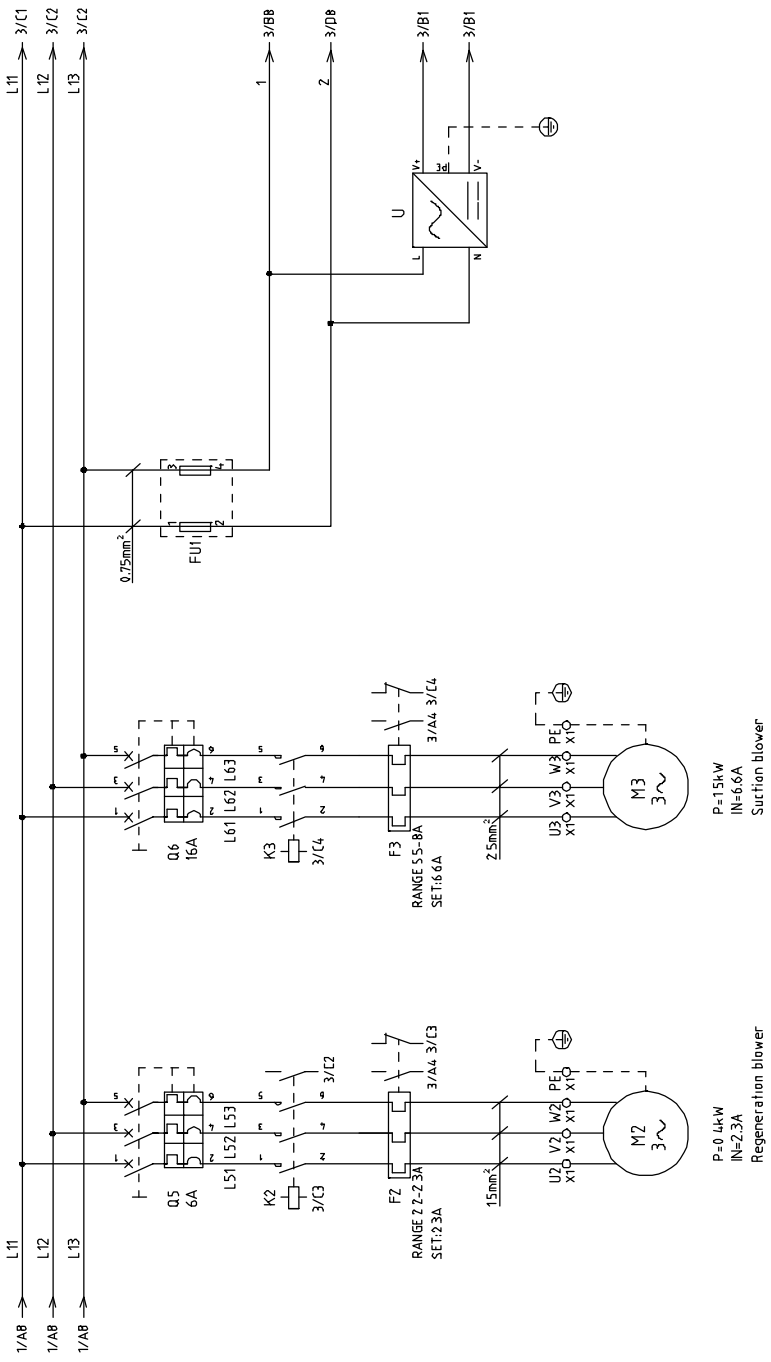




壹列版本 Ver D

Mark	Before modification	Modified by	2	3	4	5	6	7	8
Designer	Designer	Approved by							
Checked by	Checked by	Date	20170620						
Version	Version	G							
Title			SCD-3000J(4.50U)/200H Main Circuit Diagram 1						
Drawing No.			SCD-3000J(4.50U)/200H-PUMP-CE-230V-G-1						
Scale	Scale	Page	1						
Standard	Standard	Totally	7						
Frequency	Frequency	Pages	50Hz						
Voltage	Voltage	Totally	230V						
CE	CE	Pages	7						

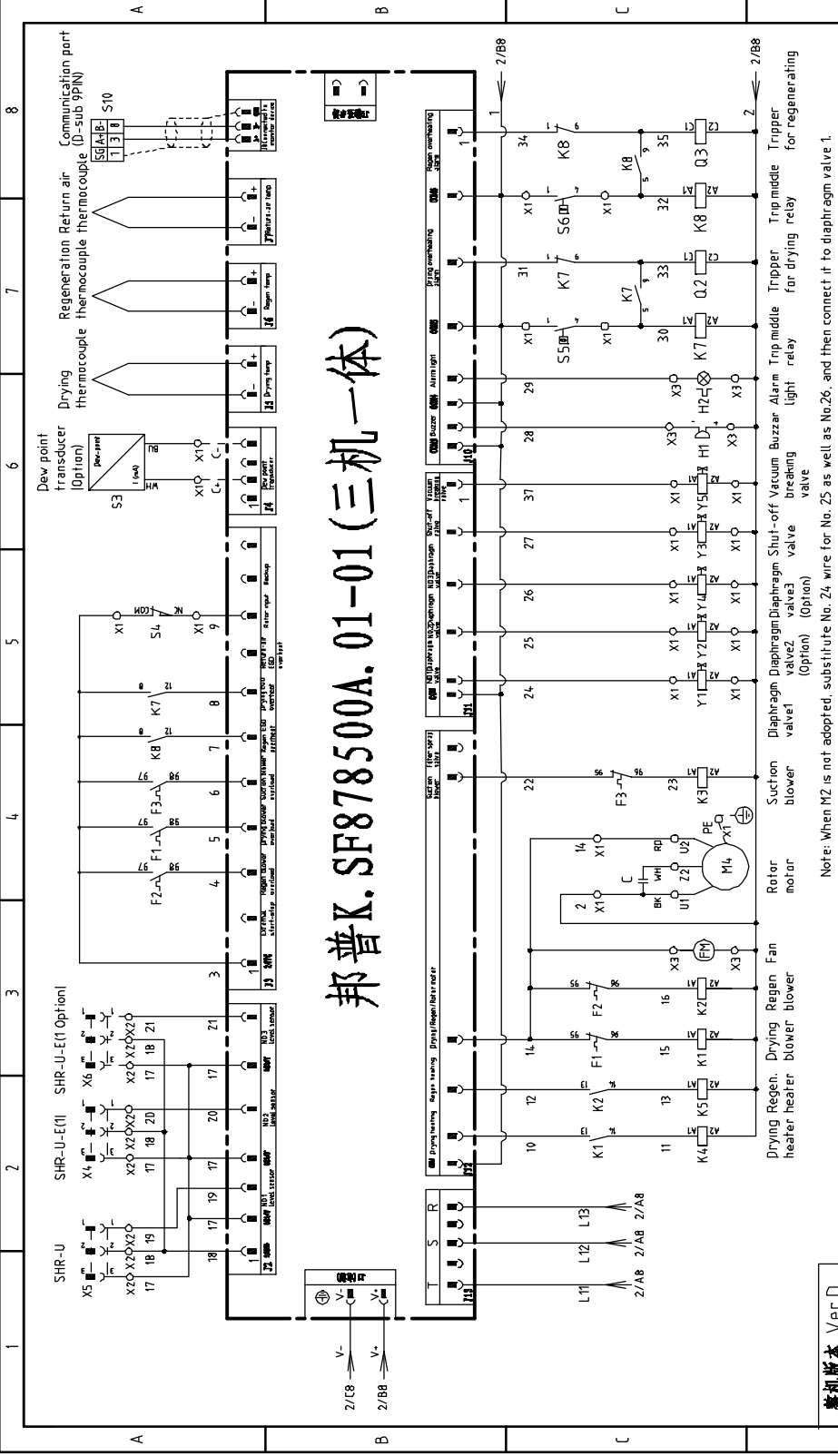




最初版本 Ver.D

Mark	Before modification	After modification	Modified by	Modify date	Checked by	Designer	Drawer	Version	G	Title	SCD-300U(4.50U)/200H Main Circuit Diagram 2	Scale	Standard	Page	2
								Approved by			SCD-300U(4.50U)/200H-PUMP-CE-230V-G-2	Standard	CE	Totally	7
								Date	20170620					Voltage	230V
														Frequency	50Hz





邦普K.SF878500A.01-01 (三机一体)

整机版本 Ver.D

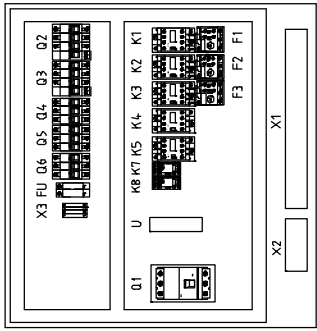
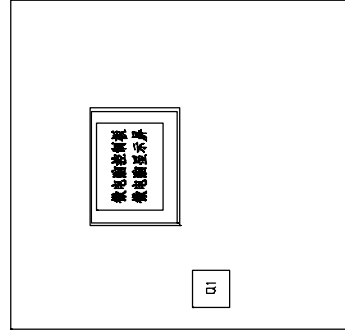
Note: When M2 is not adopted, substitute No. 24 wire for No. 25 as well as No. 25 as well as No. 25 and then connect it to diaphragm valve 1

Mark	Before modification	After modification	Modified by	Modify date	Checked by	Date	Approved by	Version	G	Title	Scale	Page
						20170620			G	SCD-3000(L450U)/200H Control Circuit Diagram	Standard	3
											Standard	7
											Voltage	230V
											Frequency	50Hz

Drawing No. SCD-3000(L450U)/200H Alarm Trip middle Tripper for drying relay Trip middle Tripper for regenerating valve

SHINI 信昌热塑科技股份有限公司
Shini Plastics Technologies, Inc.

1 2 3 4 5 6 7 8



X3

PE 5	4	3	2	1
PE 14	2	29	2	28

Connect to cooling fan
Connect to alarm light
Connect to buzzer

XZ

18	18	18
17	17	17
21	19	20
1	2	1
17	17	17
18	18	18

Connect to material level sensor 3 (Option)
Connect to material level sensor 2
Connect to material level sensor 1

X1

34	33	32	31	30	29	28	PE	27	26	PE	25	24	PE	38	37	PE	23	22	PE	21	20	19	18	17	16	15	14	13	PE	12	11	10	PE	9	8	7	PE	6	5	4	PE	3	2	1	PE	PE	
[+ C- 24	2	PE	25	2	PE	26	2	PE	27	2	PE	27	2	PE	37	2	PE	14	2	PE	3	9	1	30	1	32	U1	V1	W1	PE	U2	V2	W2	PE	U3	V3	W3	PE	U5	V5	W5	PE	U4	V4	W4	PE	PE

Connect to dew point sensor(option)
Connect to diaphragm valve 1
Connect to diaphragm valve 2 (Option)
Connect to diaphragm valve 3 (Option)
Connect to shut-valve
Connect to rotor limit switch
Connect to drying EGO SS
Connect to regeneration EGO S6
Connect to drying blower
Connect to regeneration blower
Connect to suction motor
Connect to regeneration heater
Connect to drying heater
Connect to the ground wire of the power supply

Note: Power cable can directly connected to the breaker interlock which not pass by the terminal board.

審判版本 Ver D

Prwring No.	SCD-300U(450U)/200H	Scale	Standard	Page	4
Title	Electrical Components Layout	Version	G	Totally	7
Designer		Approved by		Voltage	230V
Drawn by		Checked by		Frequency	50HZ
Modify date	20170620	After modification			
Modified by		Before modification			



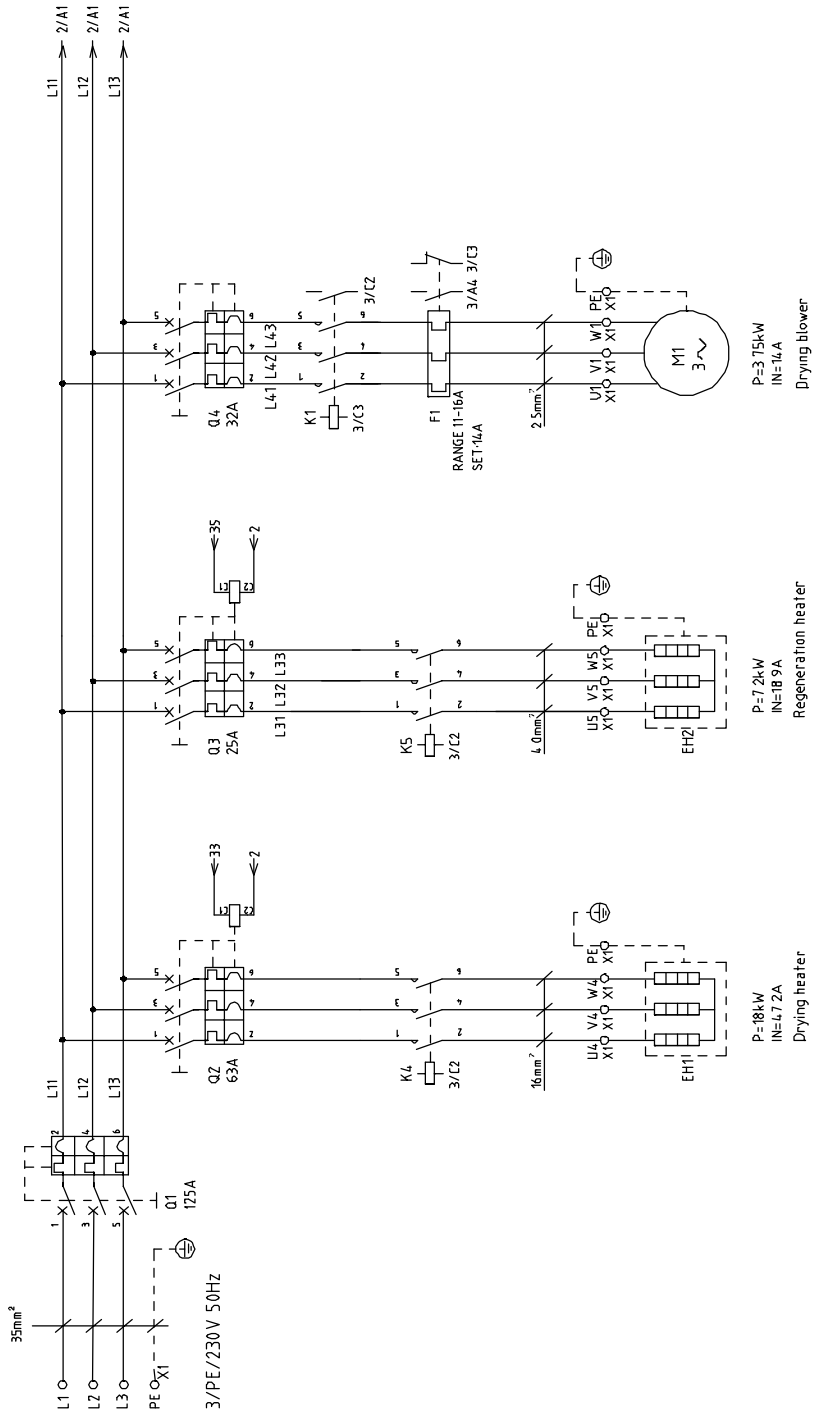
1 2 3 4 5 6 7 8

1	2	3	4	5	6	7	8	
N0	Symbol	Name	Manufacturer	Type	Specification	Number	Material number	Remark
1	Q1	Breaker interlock	ABB	A1A125TME90	90A	1	YE41109200000	
2	Q2	Circuit-breaker	TECO	BM-63C 3P	40A	1	YE40304003000	
3	Q3	Circuit-breaker	TECO	BM-63C 3P	20A	1	YE40302003000	A
4		Excitation release	TECO	MX	220V 50/60Hz	2	YE40023560000	
5	Q4 Q6	Circuit-breaker	TECO	BM-63C 3P	16A	2	YE40301603000	
6	Q5	Circuit-breaker	TECO	BM-63C 3P	6A	1	YE40300603000	
7	K1 K2 K3	Contact	SIEMENS	3RT6016-1ANZ1	220V 50/60Hz	3	YE00601621000	
8	K4	Contact	SIEMENS	3RT6028-1ANZ0	220V 50/60Hz	1	YE00602822000	
9	K5	Contact	SIEMENS	3RT6026-1ANZ0	220V 50/60Hz	1	YE00602622000	
10	K7 K8	Middle relay	WEIDMULLER	DRM270730LT	220V 50/60Hz	2	YE03270700000	
11	F1 F3	Overload relay	SIEMENS	3RU6116-1HB0	5.5-8A	2	YE01160550000	B
12	F2	Overload relay	SIEMENS	3RU6116-1DB0	2.2-3.2A	1	YE01160220000	
13	PCB	Microprocessor control board+display screen	PUMP	K SF878500A 01-01	-----	1	YE80878500000	
14	U	DC power	MEAN WELL	NES-35-24	OUT=DC24V 15A	1	YE71352400100	
15	FU1	Fuse base	CHINT	RT18-32	2P	1	YE41032200000	
16		Fuse	CHINT	10x38 500V	2A	2	YE46002000100	
17	S1	Reed switch	FOTEK	FC-12V	24VDC	1	----	(1)
18	S2	Photoelectric switch	FOTEK	T18-3MNB-PE	24VDC	1	----	(1)
19	S3	Dew-point transducer	CS	CS 217-0EM	POWER=24VDC OUT=4-20mA	1	YE90021700100	(1)(2)
20	S4	Micro switch	TEND	----	250V 5(4)A	1	----	(1)
21	S5 S6	Temperature protector	EGO	WR-A-50-300-2500-3	250V 5(4)A	2	----	(1)
22	S7 S8 S9	Thermocouple	SHINI	ST-K	K	3	----	(1)
23	Y1 Y2	Solenoid valve	----	MSFW-230-50/60	230V 50/60Hz	2	----	(1)
24	H1	Buzzer	SHINI	PK-35A	220V 50/60Hz	1	YE84003500200	(1)
25	H2	Alarm indicator	SHINI	LED-3051	220V 50/60Hz	1	YE83305100200	(1)
整機版本 Ver.D Notes: (1)Means it's not the material inside the control box (2)Stands for optional								
			Drawer	Version	Title		Scale	Page
			Designer	G	SCD-300U(4-50U)/200H		Standard	5
			Proofread by		Electrical Components List 1		CE	Totally
			Checked by	Approved by	SCD-300U(4-50U)/200H-PUMP-CE-230V-G-5		Frequency	7
			Modify date	Date	SHINI 怡昇理熱模塊股份有限公司 Shini Plastics Technology, Inc.		Voltage	230V
Mark			Before modification	Modified by			Frequency	50HZ
				20170620				8

1	2	3	4	5	6	7	8	
NO	Symbol	Name	Manufacturer	Type	Specification	Number	Material number	Remark
26	X1	Terminal board	----	16mm ² PE	-	1	YE60001603500	
27				10mm ²	-	3	YE60001003200	
28				10mm ² PE	-	1	YE60001003500	A
29				4mm ²	-	12	YE60000403200	
30				4mm ² PE	-	4	YE60000403500	
31				2.5mm ²	-	14	YE60002503200	
32				2.5mm ²	32A 690V	6	YE60002503200	(2)
33				2.5mm ² PE	-	4	YE60002503400	
34				2.5mm ² PE	-	2	YE60002503400	(2)
35	X2	Terminal board	----	Spring terminals SK2.5-TL	10A 250V	3	YE60002503600	
36				FBSTB 10-ZDIK RD	10A 250V	3	YE60001000200	B
37				SK-2.5TL/端子板件	10A 250V	3	YE60001003600	
38	X3	Terminal board	----	2.5mm ²	-	5	YE60002503200	
39				2.5mm ² PE	-	1	YE60002503400	
40	X4	Heavy duty connector	SIBAS	HDC-HA-004.1	4P 10A	3	YE68041000100	(1)
41	X5	Heavy duty connector	SIBAS	HDC-HA-004.1	4P 10A	3	YE68041000100	(1)
42	X6	Heavy duty connector	SIBAS	HDC-HA-004.1	4P 10A	3	YE68041000100	(1)
43	FM	Fan	SUNON	DP-200A	230VAC	1	YM60121200400	(1)
44	M1	Blower	SHINI	-----	230V 15kW	1	-----	(1)
45	M2	Blower	SHINI	-----	230V 0.4kW	1	-----	(1)
46	M3	Blower	SHINI	-----	230V 15kW	1	-----	(1)
47	M4	Motor	----	-----	230V 0.015kW	1	-----	(1)
48	EH1	Heater	SHINI	-----	230V 12kW	1	-----	(1)
49	EH2	Heater	SHINI	-----	230V 4kW	1	-----	(1)
整机版本 Ver.D Notes: (1)Means it's not the material inside the control box (2)Stands for optional.								
			Drawer	Version	Title		Drawing NO.	
			Designer	Approved by	SCD-300U(4.50U)/200H		Scale	
			Proofread by		Electrical Components List 2		Standard	
			Checked by	Date	SCD-300U(4.50U)/200H-PUMP-CE-230V-G-6		Voltage	
			Modify date	20170620			Frequency	
			Before modification	Modified by			CE	
			After modification				Page	
							Totally	
							Page	
							230V	
							50HZ	
							8	



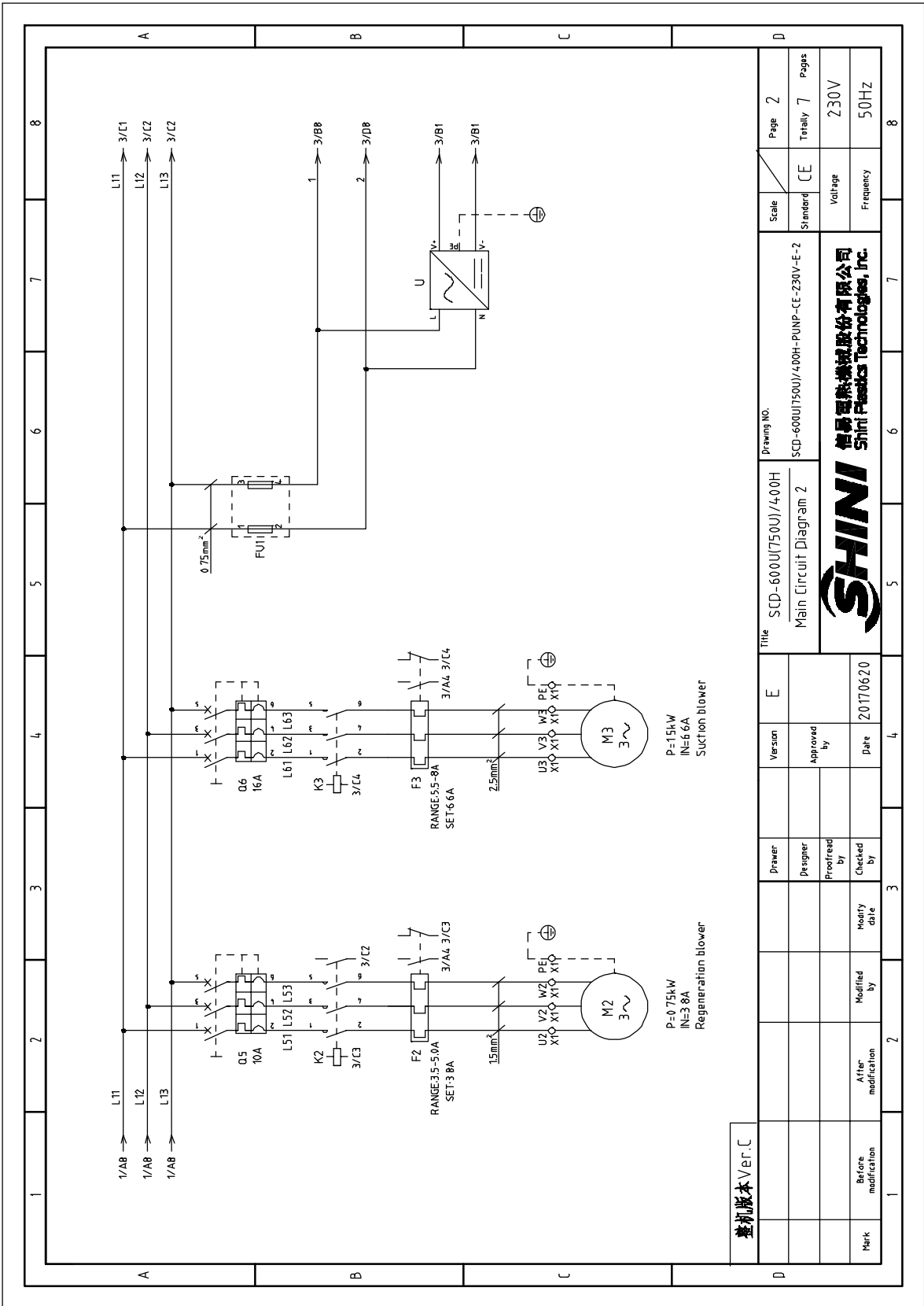
1	2	3	4	5	6	7	8	
No	Symbol	Name	Manufacturer	Type	Specification	Number	Material number	Remark
50	S10	Communication interface board RS-485 (double Dsub-3pin connector)	--	--	--	1	YE90048501200	(I)
51		Shell RS485(SAL-700G-A-1910)	--	--	--	1	YR40048500000	(II)
A								
B								
C								
D								
整初版本 Ver.D Notes (I)Means it's not the material inside the control box. (2)Stands for optional								
			Drawer	Version	Title		Scale	Page
			Designer	Approved by	SCD-300U(4-50U)/200H		Standard	Totally
			Proofread by	Date	Electrical Components List 3		CE	7
			Checked by	20170620	SCD-300U(450U)/200H-PUMP-CE-230V-G-7		Voltage	230V
			Modify date		SHINI 怡昇理熱機城股份有限公司 Shini Plasstics Technologies, Inc.		Frequency	50HZ
1	2	3	4	5	6	7	8	



摹机版本 Ver.C

Title	SCD-600U(750U)/400H		Drawing No.	Page 1	
	Main Circuit Diagram 1			Scale	
Version	Approved by		Standard	CE	
Designer	Checked by		Voltage	230V	
Modified by	Mentory date		Frequency	50HZ	
After modification	Date		Totally		7
Before modification	Date		Pages		8

SHINI 信昌理熱機城股份有限公司
Shini Plasstics Technologies, Inc.



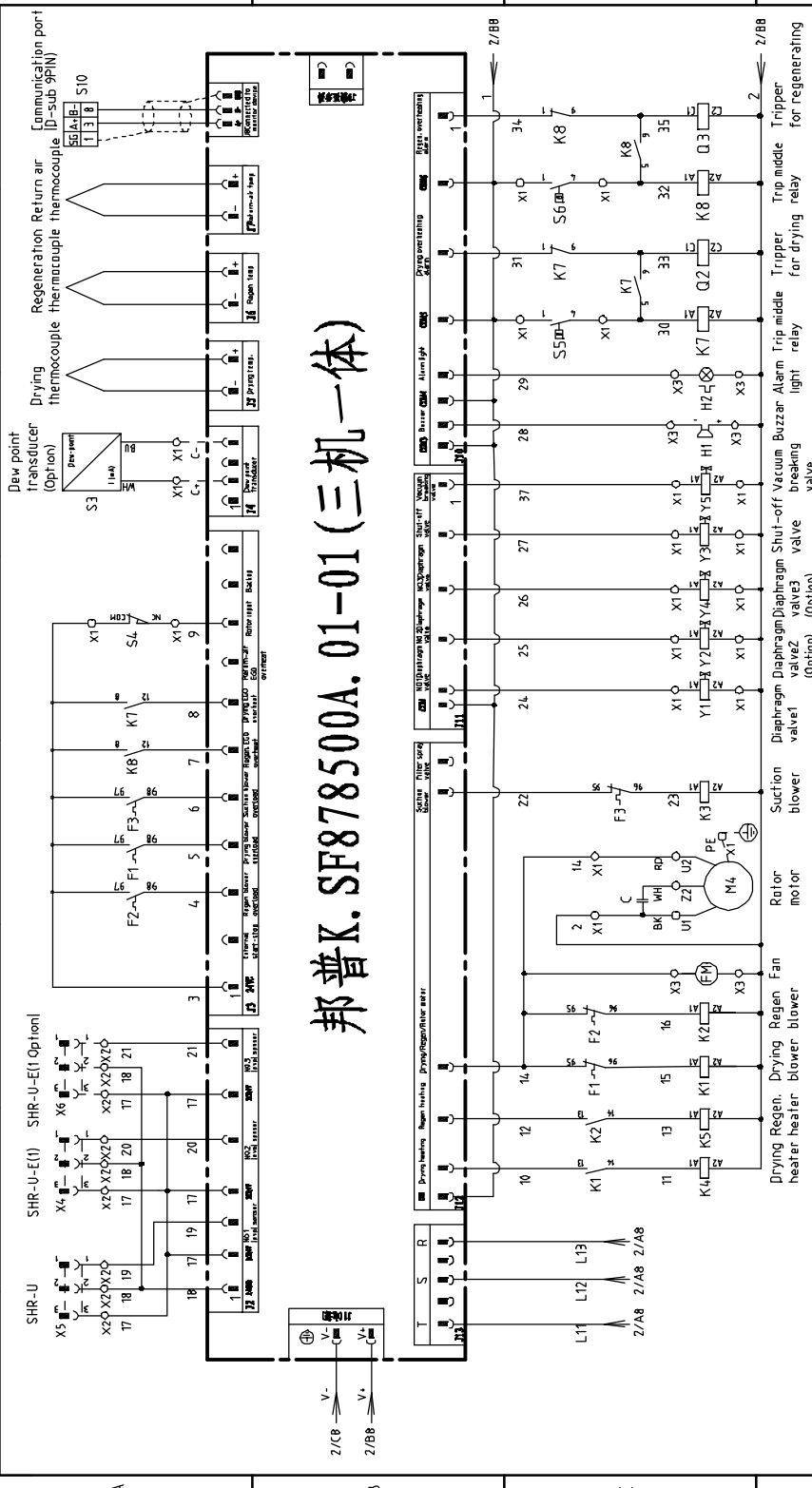
整机版本 Ver. C

Mark	Before modification	Modified by	Modify date	Checked by	Approved by	Version	E	Title SCD-600U(750U)/400H Main Circuit Diagram 2	Drawing NO. SCD-600U(750U)/400H-PUMP-CE-230V-E-2	Scale Standard CE	Page 2
	After modification									Voltage 230V	Totally 7
										Frequency 50Hz	8



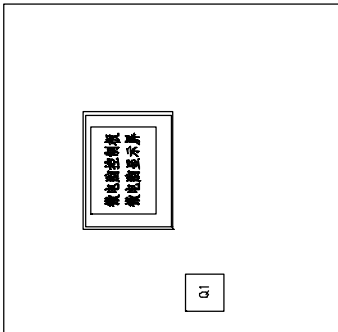
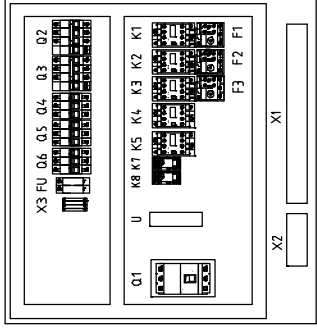
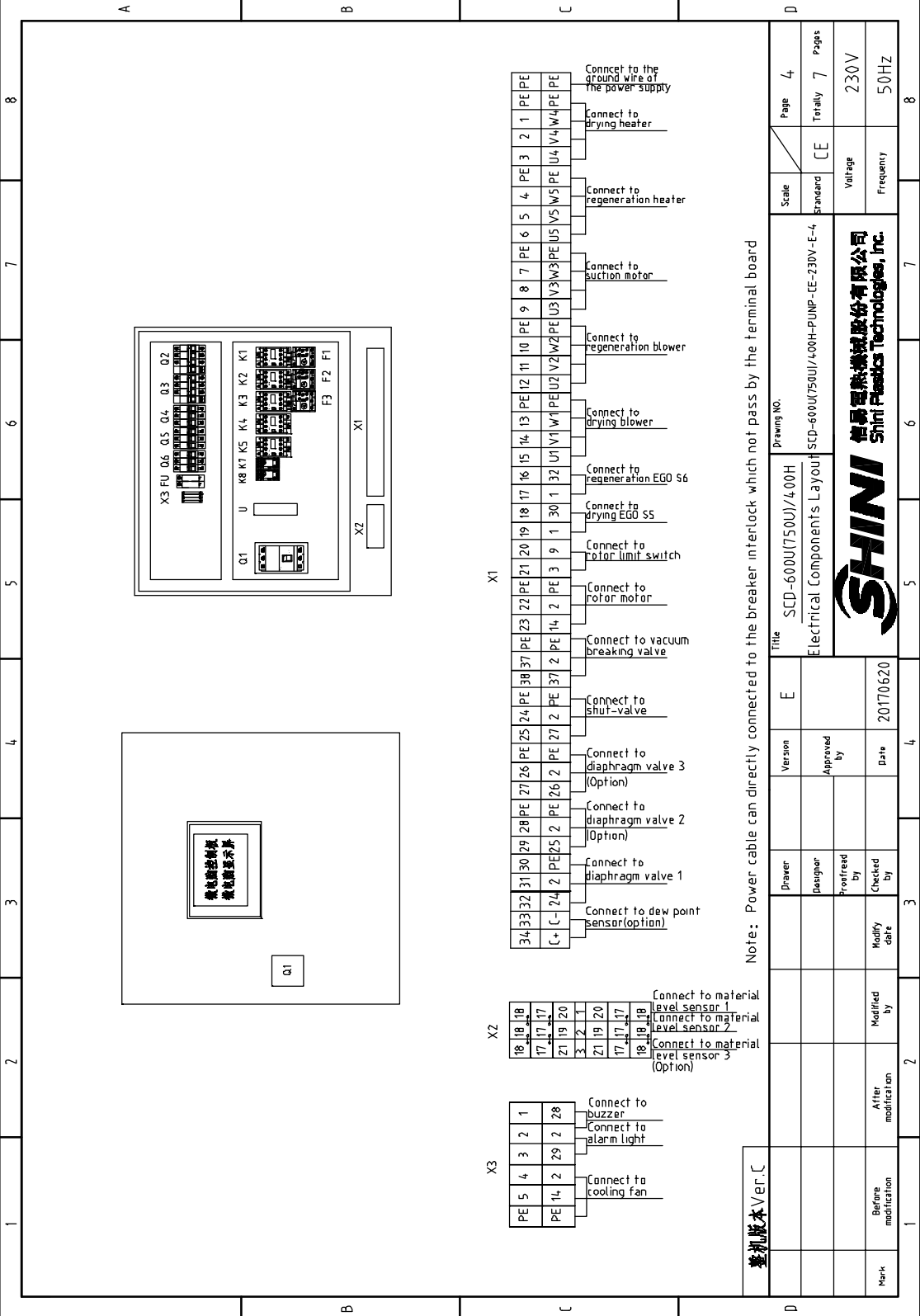
1 2 3 4 5 6 7 8

邦普K.SF878500A.01-01 (三机一体)



整机版本 Ver C									
		Praver		Version		E		Scale	
		Designer		Approved by		SCD-600U(750U)/4.00H		Standard	
		Protestrad by		Date		Control Circuit Diagram		CE	
		Checked by		20170620				Voltage	
		Modify date						Frequency	
Mark:		Before modification		2		SHINI		230V	
		After modification		3		信易塑料机械股份有限公司 Shini Plastics Technologies, Inc.		50HZ	
				4				Page 3	
				5				Totally 7 Pages	
				6					
				7					
				8					

Note: When M2 is not adopted, substitute No. 24 wire for No. 25 as well as No. 26, and then connect it to diaphragm valve 1



- X1**
- Connect to the ground wire of the power supply
 - Connect to drying heater
 - Connect to regeneration heater
 - Connect to suction motor
 - Connect to regeneration blower
 - Connect to drying blower
 - Connect to regeneration EGO S6
 - Connect to drying EGO S5
 - Connect to rotor limit switch
 - Connect to rotor motor
 - Connect to vacuum breaking valve
 - Connect to shut-valve
 - Connect to diaphragm valve 3 (Option)
 - Connect to diaphragm valve 2 (Option)
 - Connect to diaphragm valve 1
 - Connect to dew point sensor(option)

- X2**
- Connect to material level sensor 1
 - Connect to material level sensor 2
 - Connect to material level sensor 3 (Option)

- X3**
- Connect to cooling fan
 - Connect to alarm light
 - Connect to buzzer

Note: Power cable can directly connected to the breaker interlock which not pass by the terminal board

臺機版本 Ver. C	Drawing No. SCD-600U(750U)/4.00H	Scale Standard	Page 4
	Title Electrical Components Layout	Standard CE	Page 7
Designer Drafted by Checked by Modify date	Version Approved by Date 20170620	Voltage 230V	Frequency 50HZ
Mark Before modification After modification	SHINI 怡昌理熱機械股份有限公司 Shini Plastics Technologies, Inc.		

1	2	3	4	5	6	7	8	
NO	Symbol	Name	Manufacturer	Type	Specification	Number	Material number	Remark
1	Q1	Breaker interlock	ABB	A1A125TME125	125A	1	YE411614-00000	
2	Q2	Circuit-breaker	TECO	BM-63C 3P	63A	1	YE40306303000	
3	Q3	Circuit-breaker	TECO	BM-63C 3P	25A	1	YE40302503000	A
4		Excitation release	TECO	MX	220V 50/60HZ	2	YE40023560000	
5	Q4	Circuit-breaker	TECO	BM-63C 3P	32A	1	YE40303203000	
6	Q5	Circuit-breaker	TECO	BM-63C 3P	10A	1	YE40301003000	
7	Q6	Circuit-breaker	TECO	BM-63C 3P	16A	1	YE40301603000	
8	K1	Contact	SIEMENS	3RT6025-1ANZ0	220V 50/60HZ	1	YE00602522000	
9	K2 K3	Contact	SIEMENS	3RT6016-1ANZ1	220V 50/60HZ	2	YE00601621000	
10	K4	Contact	SIEMENS	3RT5044-1ANZ0	220V 50/60HZ	1	YE00504400000	
11	K5	Contact	SIEMENS	3RT6027-1ANZ0	220V 50/60HZ	1	YE00602722000	B
12	K7 K8	Middle relay	WEDMULLER	DRM270730LT	220V 50/60HZ	2	YE03270700000	
13	F1	Overload relay	SIEMENS	3RU6116-4AB0	11-16A	1	YE01260110000	
14	F2	Overload relay	SIEMENS	3RU6116-1FB0	35-5A	1	YE01160350000	
15	F3	Overload relay	SIEMENS	3RU6116-1HB0	55-8A	1	YE01160550000	
16	PCB	Microprocessor control board-display screen	PUMP	K.SF878500A.01-01	-----	1	YEB0878500000	
17	U	DC power	MEAN WELL	NES-35-24	OUT=DC24V 15A	1	YE71352400100	
18	FU1	Fuse base	CHINT	RT18-32	2P	1	YE41032200000	
19		Fuse	CHINT	10x38 500V	2A	2	YE46002000100	C
20	S1	Reed switch	FOTEK	FC-12V	24VDC	1	----	(1)
21	S2	Photoelectric switch	FOTEK	T18-3MNB-PE	24VDC	1	----	(1)
22	S3	Dew-point transducer	CS	CS 217-0EM	POWER=24VDC OUT=4-20mA	1	YE80021700100	(1)(2)
23	S4	Micro switch	TEND	----	250V 5(A)	1	----	(1)
24	S5 S6	Temperature protector	EGO	WR-A-50-300-2500-3	250V 5(A)	2	----	(1)
25	S7 S8 S9	Thermocouple	SHINI	ST-K	K	3	----	(1)
整机版本 Ver.C Notes (1)Means it's not the material inside the control box (2)Strands for optional								
			Drawer	Version	Title		Scale	Page
			Designer	Approved by	SCD-600U(750U)/4.00H		Standard	5
			Proofread by	Date	Electrical Components List 1		CE	Totally
			Checked by	20170620			Voltage	7
			Modify date				Frequency	Pages
			After modification				230V	8
			Before modification				50HZ	



Drawing NO.
SCD-600U(750U)/4.00H-E-5

Electrical Components List 1

Version

Approved by

Date

Modify date

After modification

Before modification

Scale
Standard

CE

Voltage
Frequency

Page
Totally

230V
50HZ

SHINI

信昌理熱機電股份有限公司
Shini Plastics Technology, Inc.

20170620

SHINI

SHINI

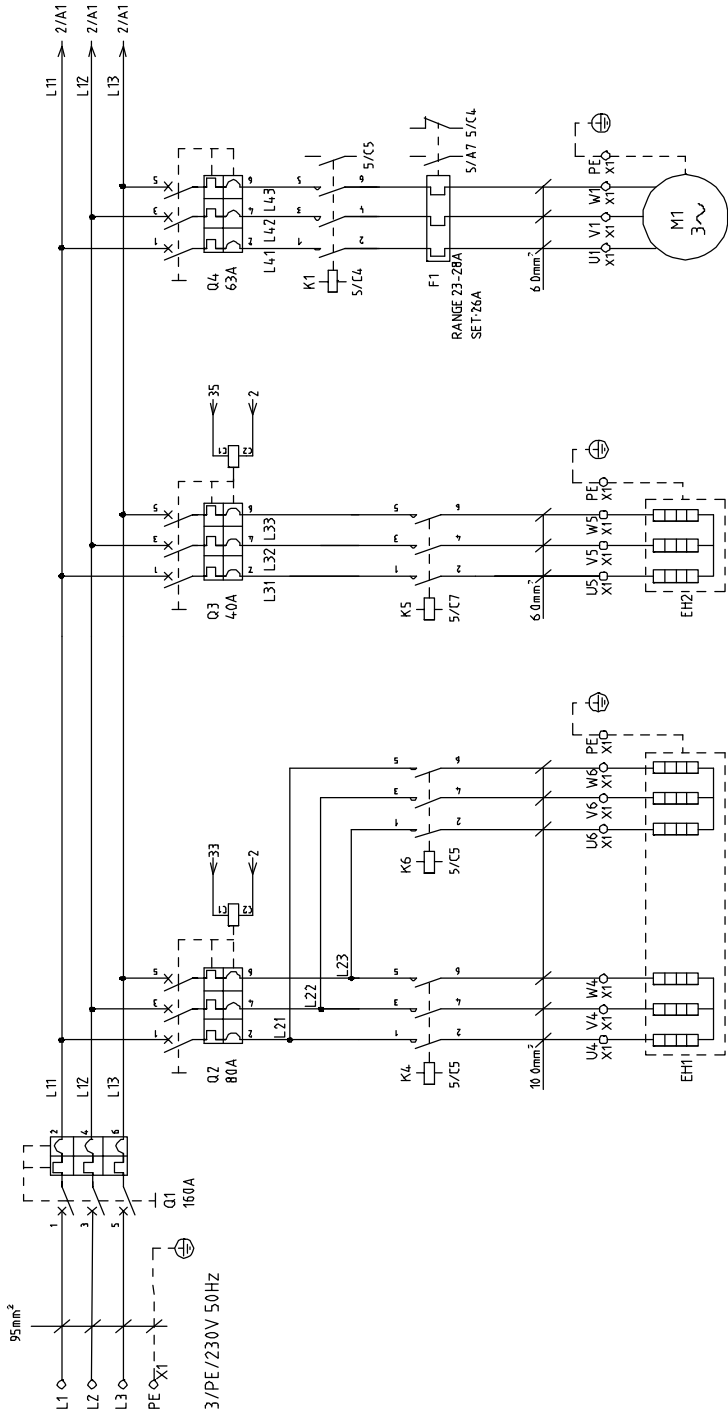
SHINI

1	2	3	4	5	6	7	8
NO	Symbol	Name	Manufacturer	Type	Specification	Number	Material number
NO	Symbol	Name	Manufacturer	Type	Specification	Number	Material number
26	Y1 Y2	Solenoid valve	----	MSFW-230-50/60	230V 50/60Hz	2	----
27	H1	Buzzer	SHINI	PK-35A	220V 50/60Hz	1	YE840035A0200
28	H2	Alarm indicator	SHINI	LED-3051	220V 50/60Hz	1	YEB3305100200
29	X1	Terminal board	----	35mm ² PE	-	1	YE60003503500
30				16mm ²	-	3	YE60001603200
31				16mm ² PE	-	1	YE60001603500
32				4mm ²	-	12	YE60000403200
33				4mm ² PE	-	4	YE60000403500
34				2.5mm ²	-	14	YE60002503200
35				2.5mm ²	32A 690V	6	YE60002503200
36				2.5mm ² PE	-	4	YE60002503400
37				2.5mm ² PE	-	2	YE60002503400
38	X2	Terminal board	----	Spring terminals SK2.5-TL	10A 250V	3	YE60002503600
39				FBSTB 10-ZDIK RD	10A 250V	3	YE60001000200
40				SK-2.5TL 桥接件	10A 250V	3	YE60001003600
41	X3	Terminal board	----	2.5mm ²	-	5	YE60002503200
42				2.5mm ² PE	-	1	YE60002503400
43	X4	Heavy duty connector	SIBAS	HDC-HA-004.1	4P 10A	3	YE68041000100
44	X5	Heavy duty connector	SIBAS	HDC-HA-004.1	4P 10A	3	YE68041000100
45	X6	Heavy duty connector	SIBAS	HDC-HA-004.1	4P 10A	3	YE68041000100
46	FM	Fan	SUNON	DP-200A	230VAC	1	YM60121200400
47	M1	Blower	SHINI	-----	230V 3.75kW	1	-----
48	M2	Blower	SHINI	-----	230V 0.75kW	1	-----
49	M3	Blower	SHINI	-----	230V 1.5kW	1	-----
50	M4	Motor	----	-----	230V 0.015kW	1	-----
整机版本 Ver. C							
Notes: (1)Means it's not the material inside the control box. (2)Stands for optional.							
				Title		Drawing NO.	
				SCD-600U(750U)/400H		SCD-600U(750U)/400H-PUMP-CE-230V-E-6	
				Electrical Components List 2			
				Version		Scale	
				Approved by		Standard	
				Date		Voltage	
				20170620		Frequency	
				Modify date		CE	
				Before modification		Page	
				Modified by		Totally	
				After modification		7	
						230V	
						50Hz	
						8	



1	2	3	4	5	6	7	8	
No	Symbol	Name	Manufacturer	Type	Specification	Number	Material number	Remark
51	EH1	Heater	SHINI	-----	230V 18kW	1	-----	(1)
52	EH2	Heater	SHINI	-----	230V 7.2kW	1	-----	(1)
53	S10	Communication interface board RS-485 [double Dsub-9pin connector]	--	--	--	1	YE900485J1200	(1)
54		Shell RS485(SAL-700G-A-1910)	--	--	--	1	YR4.0048500000	(1)
A								
B								
C								
D								
資料版本 Ver. C Notes: (1)Means it's not the material inside the control box. (2)Stands for optional.								Page 7
			Drawer	Version	Title		Scale	Page 7
			Designer	E	SCD-600U(750U)/4.00H		Standard	
			Proofread by	Approved by	Electrical Components List 3		CE	Totally 7
			Checked by	Date	SCD-600U(750U)/400H-PUMP-CE-230V-E-7		Voltage	230V
			Modify date	20170620			Frequency	50HZ
			Modified by					
			After modification					
			Before modification					
								8

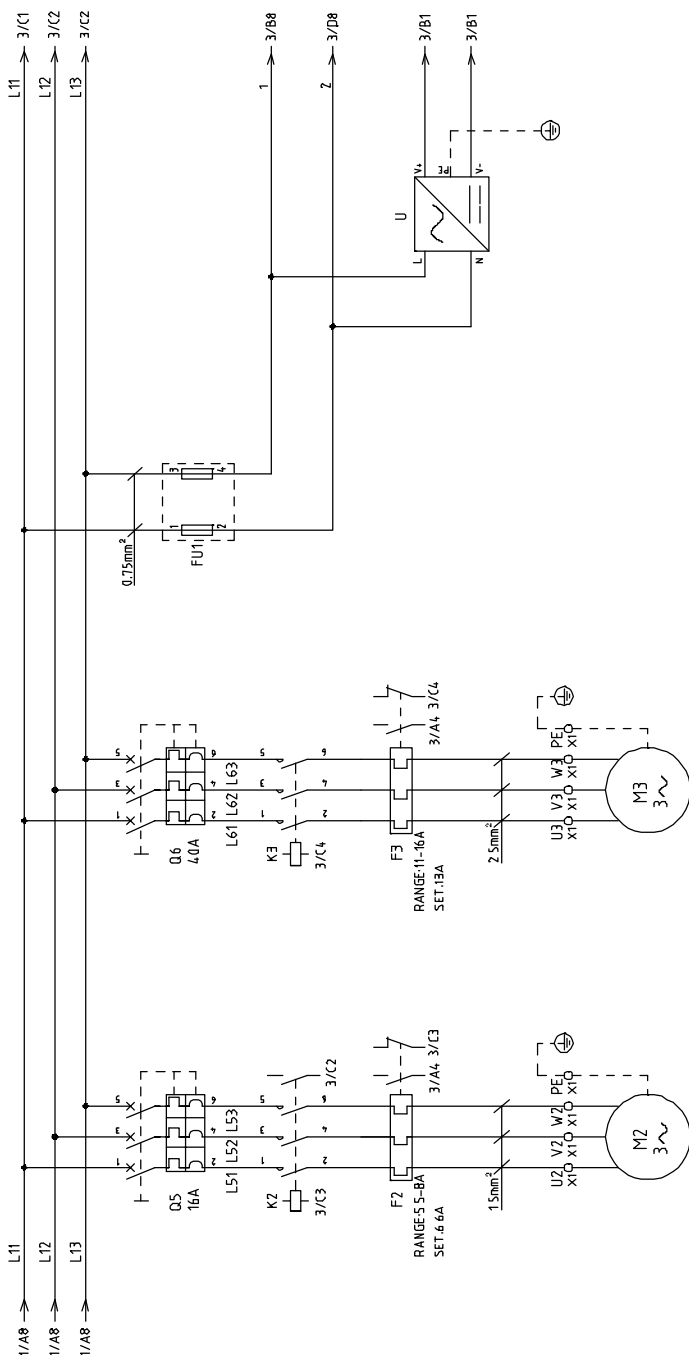




最初版本 Ver.F

Mark	Before modification	Modified by	2	3	4	5	6	7	8
Check by		20170620							
Design by		Approved by							
Designer		Version							
Drawer		E							
Title		Drawing No.		Scale		Page 1		Totally 7 Pages	
Main Circuit Diagram 1		SCD-900U(1200U)/700H		Standar CE		Voltage 230V		Frequency 50Hz	
SCD-900U(1200U)/700H-PUMP-CE-230V-E-1									





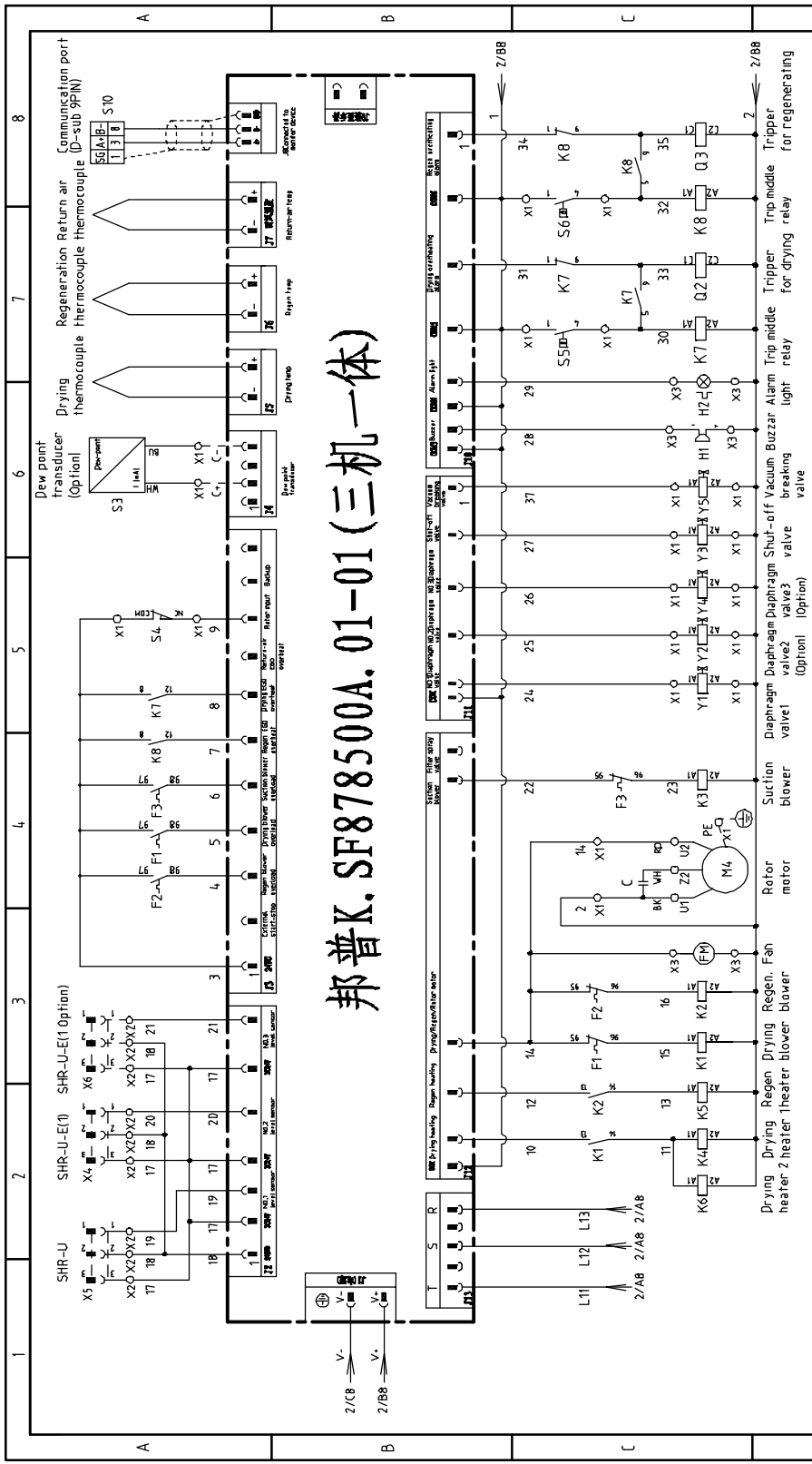
P=3.75kW
IN=13A
Suction blower

P=1.5kW
IN=6.6A
Regeneration blower

整机版本 Ver F

Mark	Before modification	Modified by	Modify date	Designer	Version	E	Title	Drawing No.	Scale	Page
							SCD-900U(1200U)/700H Main Circuit Diagram 2	SED-900U(1200U)/700H-PUMP-CE-230V-E-2	Standard	2
				Checked by	Approved by				CE	Totally 7
										Pages
										230V
										50Hz



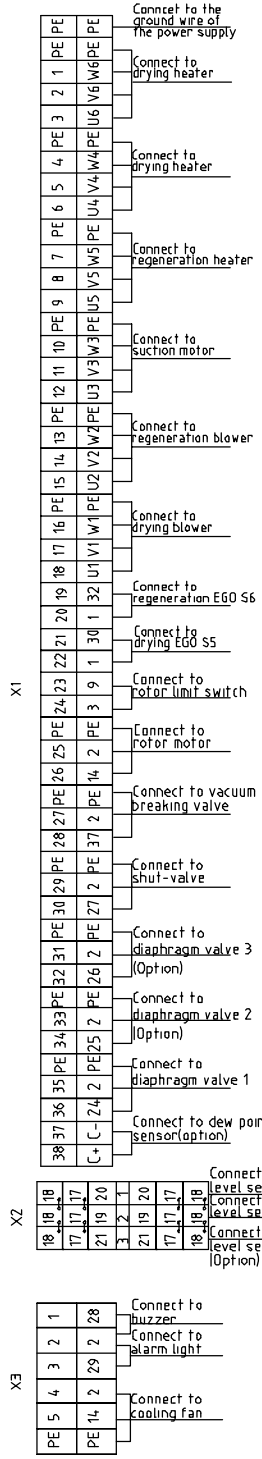
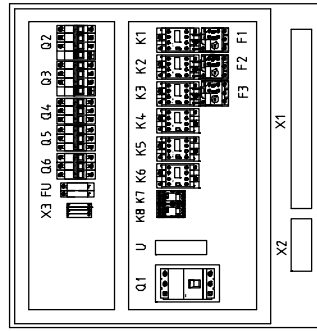
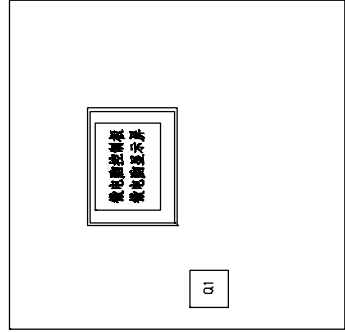


邦普K. SF878500A.01-01 (三机一体)

整机版本 Ver.F

D	Title		Drawing No.		Scale	Page	8
	SCD-900U(1200U)/700H		SCD-900U(1200U)/700H-PUMP-CE-230V-E-3		Standard	Totally	7
	Control Circuit Diagram				CE	Pages	7
	Designer	Version	Approved by		Voltage	230V	
	Protested by				Frequency	50Hz	
Mark	Before modification	Modified by	Modify date	20170620			
	After modification	Checked by	Date				





Note: Power cable can directly connected to the breaker interlock which not pass by the terminal board

整机版本 Ver.F

Title	SCD-900U(1200U)/700H		Drawing No.	4
	Electrical Components Layout		Standard	CE
Version	E	Approved by		Page 4
Designer		Checked by		Totally 7 Pages
Drawn		Modify date		Voltage 230V
				Frequency 50HZ



1	2	3	4	5	6	7	8	
NO	Symbol	Name	Manufacturer	Type	Specification	Number	Material number	
1	Q1	Breaker interlock	ABB	A2B250TMF160	160A	1	YE4116150000	
2	Q2	Circuit-breaker	TECO	BM-100D 3P	80A	1	YE40308003000	
3	Q3 Q6	Circuit-breaker	TECO	BM-63C 3P	40A	2	YE40304003000	
4		Excitation release	TECO	MX	220V 50/60HZ	2	YE40023560000	
5	Q4	Circuit-breaker	TECO	BM-63C 3P	63A	1	YE40306303000	
6	Q5	Circuit-breaker	TECO	BM-63C 3P	16A	1	YE40301603000	
7	K1	Contact	SIEMENS	3RT6027-1ANZ0	220V 50/60HZ	1	YE00602722000	
8	K2	Contact	SIEMENS	3RT6016-1ANZ1	220V 50/60HZ	1	YE00601621000	
9	K3	Contact	SIEMENS	3RT6025-1ANZ0	220V 50/60HZ	1	YE00602522000	
10	K4 K6	Contact	SIEMENS	3RT6028-1ANZ0	220V 50/60HZ	2	YE00602822000	
11	K5	Contact	SIEMENS	3RT6028-1ANZ0	220V 50/60HZ	1	YE00602822000	
12	K7 K8	Middle relay	WEIDMULLER	DRM270730LT	220V 50/60HZ	2	YE03270700000	
13	F1	Overload relay	SIEMENS	3RU6176-4NB0	23-2BA	1	YE01612620000	
14	F2	Overload relay	SIEMENS	3RU6176-1HB0	55-8A	1	YE01160550000	
15	F3	Overload relay	SIEMENS	3RU6176-4AB0	11-16A	1	YE01611640000	
16	PCB	Microprocessor control board-display screen	PUMP	K.SF878500A.01-01	-----	1	YE80878500000	
17	U	DC power	MEAN WELL	NES-35-24	OUT=DC24V 15A	1	YE71352400100	
18	FU1	Fuse base	CHINT	RT18-32	2P	1	YE41032200000	
19		Fuse	CHINT	10x38 500V	2A	2	YE46002000100	
20	S1	Reed switch	FOTEK	FC-12V	24VDC	1	----	
21	S2	Photoelectric switch	FOTEK	T18-3MNB-PE	24VDC	1	----	
22	S3	Dew-point transducer	CS	CS 217-0EM	POWER=24VDC OUT=4-20mA	1	YE80021700100	
23	S4	Micro switch	TEND	----	250V 5(A)	1	----	
24	S5 S6	Temperature protector	EG0	WR-A-50-300-2500-3	250V 5(A)	2	----	
25	S7 S8 S9	Thermocouple	SHINI	ST-K	K	3	----	
<p>Notes: (1)Means it's not the material inside the control box (2)Stands for optional</p>								
<p>整机版本 Ver.F</p>			<p>Title SCD-9000U(1200U)/700H Electrical Components List 1</p>		<p>Drawing NO. SCD-9000U(2000U/700H-PUMP-CE-230V-E-5</p>		<p>Scale Standard</p>	<p>Page 5</p>
<p>Before modification</p>			<p>After modification</p>		<p>Modified by</p>		<p>CE</p>	
<p>Mark</p>			<p>Date 20170620</p>		<p>Checked by</p>		<p>Frequency 50HZ</p>	
<p>Before modification</p>			<p>Approved by</p>		<p>Design</p>		<p>Totally 7</p>	
<p>Before modification</p>			<p>Version</p>		<p>Designer</p>		<p>Pages</p>	
<p>Before modification</p>			<p>Drawn</p>		<p>Drawn</p>		<p>230V</p>	



SHINI
Shini Plastics Technologies, Inc.

Page	5
Totally	7
Pages	
230V	
50HZ	

1	2	3	4	5	6	7	8	
NO	Symbol	Name	Manufacturer	Type	Specification	Number	Material number	Remark
26	Y1 Y2	Solenoid valve	----	MSFW-230-50/60	230V 50/60Hz	2	----	(1)
27	H1	Buzzer	SHINI	PK-35A	220V 50/60Hz	1	YE84003500200	(1)
28	H2	Alarm indicator	SHINI	LED-3051	220V 50/60Hz	1	YE833015100200	(1)
29	X1	Terminal board	----	95mm ² PE	-	1	YE61095000100	
30				10mm ²	-	6	YE60001003200	
31				10mm ² PE	-	2	YE60001003500	
32				6mm ²	-	6	YE6000603200	
33				6mm ² PE	-	2	YE6000603500	
34				4mm ²	-	6	YE60010403200	
35				4mm ² PE	-	2	YE60010403500	
36				2.5mm ²	-	14	YE60002503200	
37				2.5mm ²	32A 690V	6	YE60002503200	(2)
38				2.5mm ² PE	-	4	YE60002503400	
39				2.5mm ² PE	-	2	YE60002503400	(2)
40	X2	Terminal board	----	Spring terminals SK2.5-TL	10A 250V	3	YE60002503600	
41				FBSTB 10-ZDIK RD	10A 250V	3	YE60001000200	
42				SK-2.5TL-挤接+	10A 250V	3	YE60001003600	
43	X3	Terminal board	----	2.5mm ²	-	5	YE60002503200	
44				2.5mm ² PE	-	1	YE60002503400	
45	X4	Heavy duty connector	SIBAS	HDC-HA-004,1	4P 10A	3	YE6804,1000100	(1)
46	X5	Heavy duty connector	SIBAS	HDC-HA-004 1	4P 10A	3	YE6804,1000100	(1)
47	X6	Heavy duty connector	SIBAS	HDC-HA-004 1	4P 10A	3	YE6804,1000100	(1)
48	FM	Fan	SUNON	DP-200A	230VAC	1	YM60121200400	(1)
49	M1	Blower	SHINI	-----	230V 7.5kW	1	-----	(1)
50	M2	Blower	SHINI	-----	230V 1.5kW	1	-----	(1)

整机版本 Ver.F		SHINI		Shini Plasstics Technologies, Inc.	
Notes: (1)Means it's not the material inside the control box (2)Strands for optional			Drawing NO. SCD-900U(1200U)/700OH Electrical Components List 2 SCD-900U(200U/700H-PUMP-CE-230V-E-6		
Designer Proofread by Checked by Modified by Modify date	Version Approved by Date	E	Scale Standard Voltage Frequency	Page CE 230V 50HZ	6 7 8

1	2	3	4	5	6	7	8	
No	Symbol	Name	Manufacturer	Type	Specification	Number	Material number	Remark
51	M3	Blower	SHINI	----	230V 3.75kW	1	----	(1)
52	M4	Motor	----	----	230V 0.015kW	1	----	(1)
53	EH1	Heater	SHINI	----	230V 24kW	1	----	(1)
54	EH2	Heater	SHINI	----	230V 10kW	1	----	(1)
55	S10	[communication interface board RS-485 (double D-sub-9pin connector)]	--	--	--	1	YE9004.8501200	(1)
56		Shell RS485[SAL-700G-A-19]0	--	--	--	1	YR4.004.8504000	(1)
A								
B								
C								
D								
整机版本 Ver.F Notes: (1)Means it's not the material inside the control box. (2)Stands for optional.								
			Drawer	Version	Title		Scale	Page
			Designer	Approved by	SCD-900U(1200U)/700H		Standard	7
			Proofread by		Electrical Components List 3		CE	Totally 7
			Checked by	Date	SCD-900U(200U)/700H-PUMP-CE-230V-E-7		Voltage	230V
			Modify date	20170620			Frequency	50HZ
Mark			Before modification	Modified by			8	

