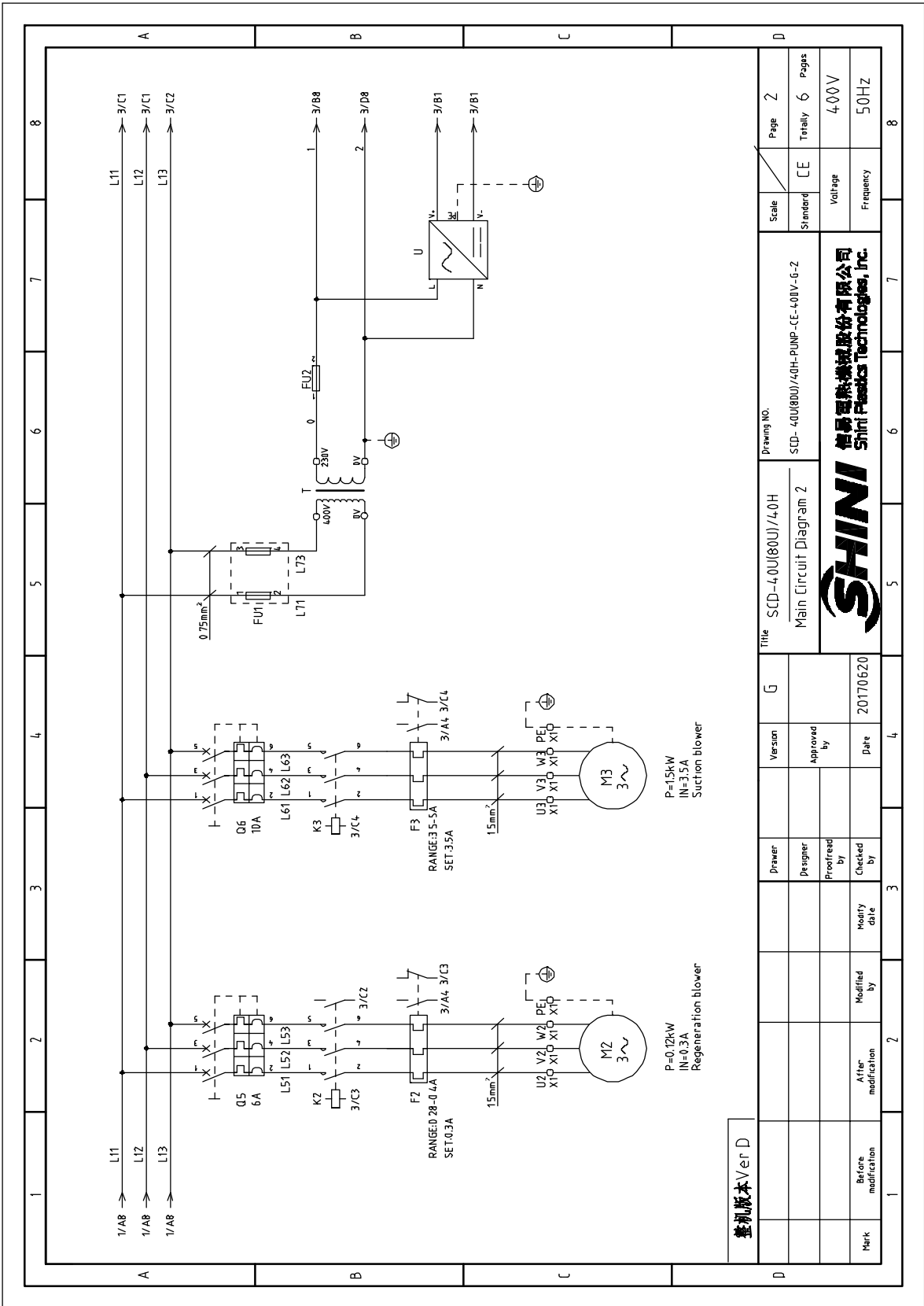


基本版本 Ver.D

Mark	Before modification	Modified by	Modify date	Checked by	20170620	Approved by	Version	G	Title	SCD-40U(80U)/40H Main Circuit Diagram 1	Drawing NO.	Scale	Page 1
											Standard	CE	Totally 6
													Pages
													400V
													50Hz



1	2	3	4	5	6	7	8
A	B	C	D	A	B	C	D

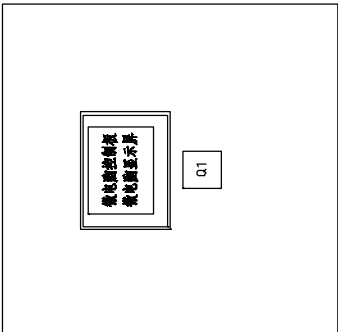
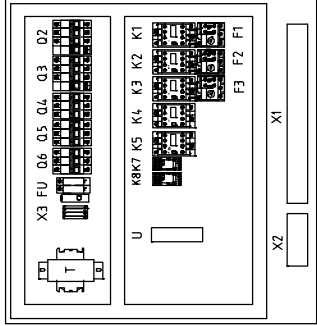
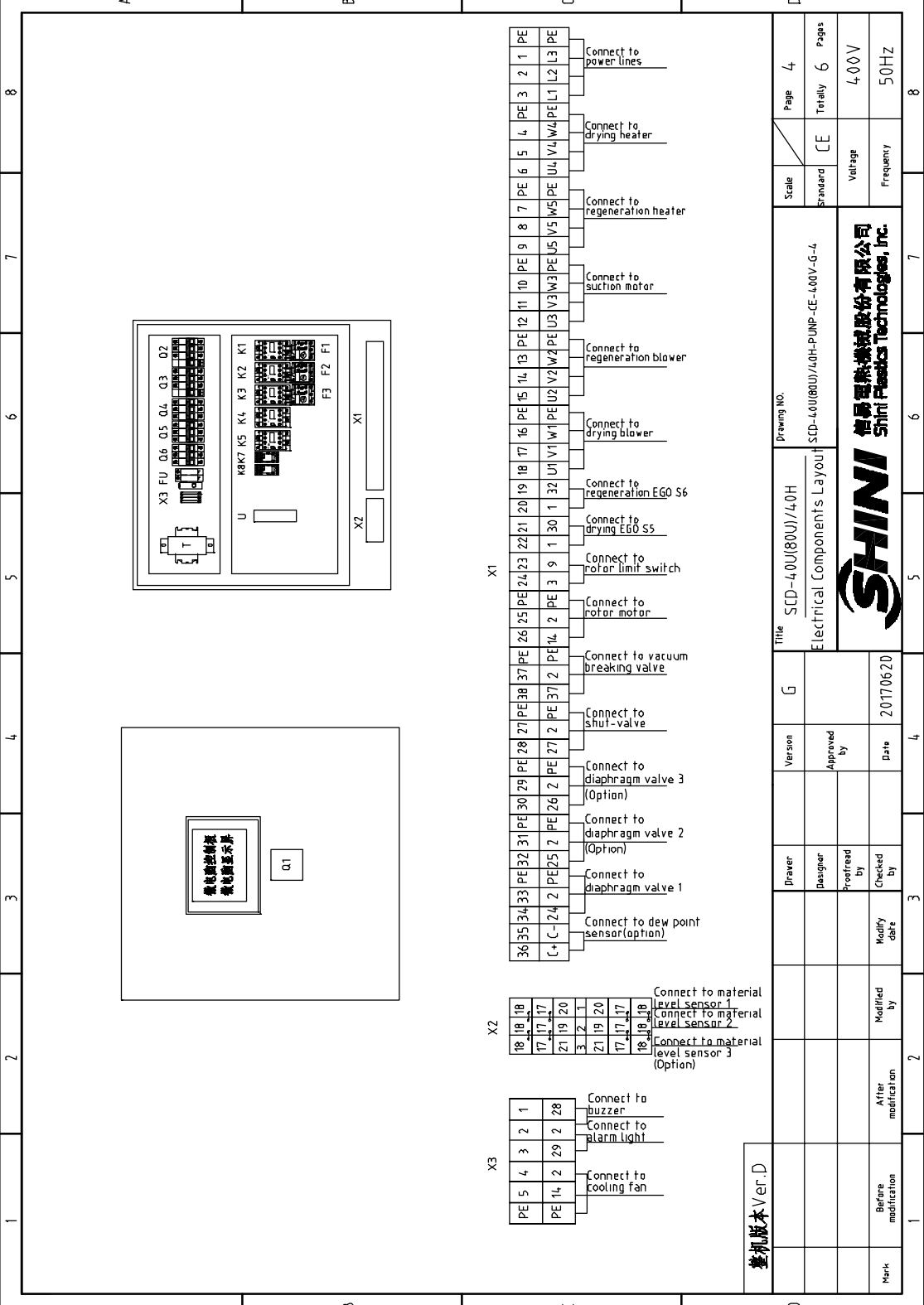


壹机版本 Ver D

Mark	Before modification	Modified by	Modify date	Checked by	Approved by	Version	G	Title	Drawing NO.	Scale	Page
								SCD-40U(80U)/4.0H Main Circuit Diagram 2	SCD-40U(80U)/4.0H-PUMP-CE-40UV-6-2	Standard	2
											Totally 6
											Pages
											400V
											50Hz



20170620

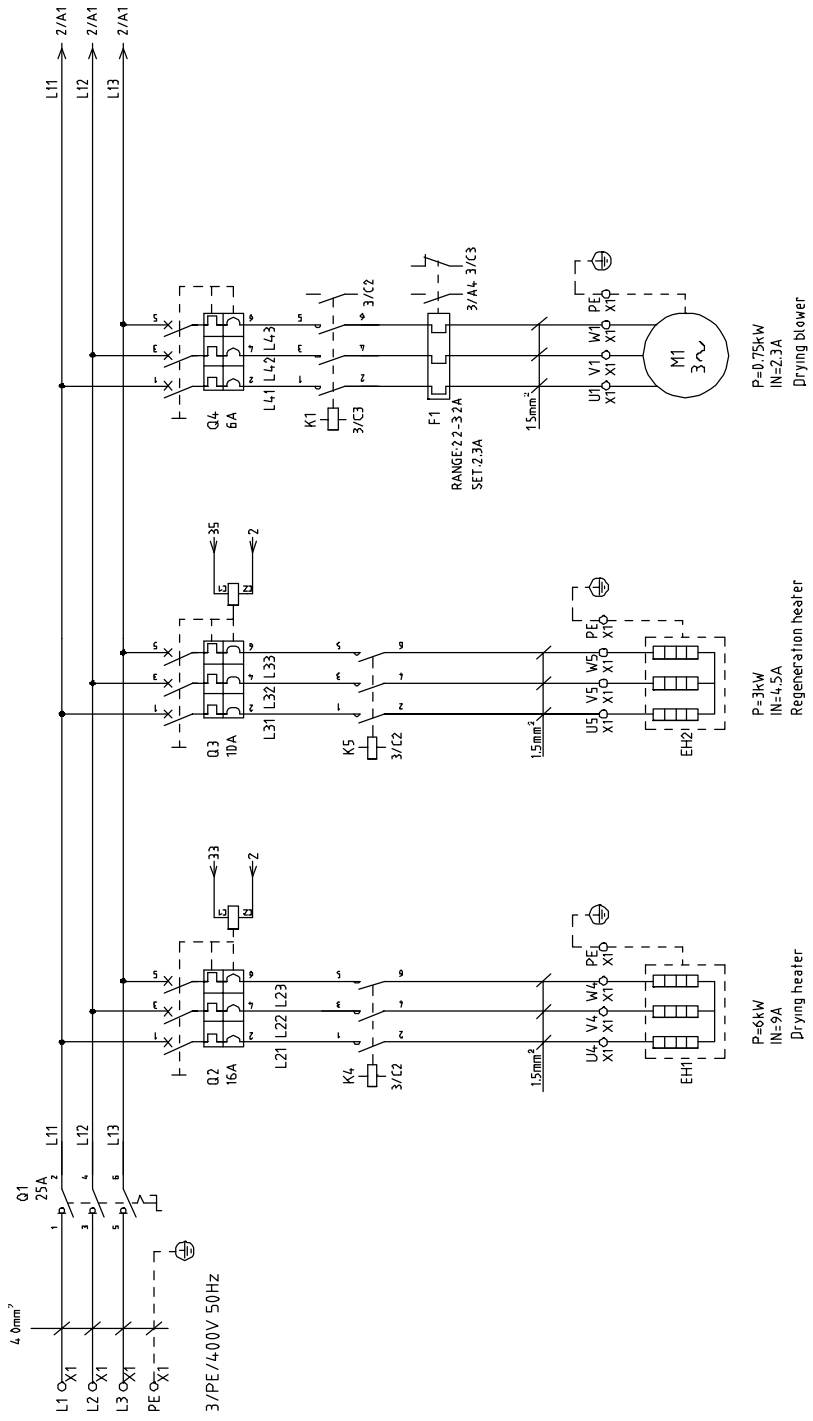


- X3**
- PE 5 4 3 2 1
 - PE 14 2 29 2 28
 - Connect to cooling fan
 - Connect to alarm light
 - Connect to buzzer
- X2**
- 18 18 18
 - 17 17 17
 - 21 19 20
 - 3 2 1
 - 21 19 20
 - 17 17 17
 - 18 18 18
 - Connect to material level sensor 1
 - Connect to material level sensor 2
 - Connect to material level sensor 3 (Option)
- X1**
- 36 35 34 33
 - PE 32 31 PE 30 29 PE 28 27 2 PE 26 2 PE 25 2 PE 24 2 PE 23 2 PE 22 2 PE 21 2 PE 20 1 32 U1 V1 W1 PE U2 V2 W2 PE U3 V3 W3 PE U4 V4 W4 PE U5 V5 W5 PE U6 V6 W6 PE U7 V7 W7 PE U8 V8 W8 PE U9 V9 W9 PE U10 V10 W10 PE U11 V11 W11 PE U12 V12 W12 PE U13 V13 W13 PE U14 V14 W14 PE U15 V15 W15 PE U16 V16 W16 PE U17 V17 W17 PE U18 V18 W18 PE U19 V19 W19 PE U20 V20 W20 PE U21 V21 W21 PE U22 V22 W22 PE U23 V23 W23 PE U24 V24 W24 PE U25 V25 W25 PE U26 V26 W26 PE U27 V27 W27 PE U28 V28 W28 PE U29 V29 W29 PE U30 V30 W30 PE U31 V31 W31 PE U32 V32 W32 PE U33 V33 W33 PE U34 V34 W34 PE U35 V35 W35 PE U36 V36 W36
 - Connect to dew point sensor (option)
 - Connect to diaphragm valve 1
 - Connect to diaphragm valve 2 (Option)
 - Connect to diaphragm valve 3 (Option)
 - Connect to shut-valve
 - Connect to vacuum breaking valve
 - Connect to rotor motor
 - Connect to drying EGO S5
 - Connect to regeneration EGO S6
 - Connect to drying blower
 - Connect to regeneration blower
 - Connect to suction motor
 - Connect to regeneration heater
 - Connect to drying heater
 - Connect to power lines

Drawing No. SCD-4.0U(80U)/L0H				Scale		Page 4	
Title SCD-4.0U(80U)/L0H Electrical Components Layout				Standard CE		Totally 6 Pages	
Version Approved by				Voltage 400V		Frequency 50HZ	
Designer				Date 20170620		SHINI 怡昇理熱機城股份有限公司 Shini Plastics Technologies, Inc.	
Checked by				Modify date			
Before modification				After modification			
Mark							

資料版本 Ver.D

1	2	3	4	5	6	7	8	
NO	Symbol	Name	Manufacturer	Type	Specification	Number	Material number	Remark
1	Q1	Main power switch	EATON	P1-25/EA/5VB	25A	1	YE10125250000	
2	Q2 Q3 Q6	Circuit-breaker	TECO	BM-63C 3P	10A	3	YE403010030000	
3		Excitation release	TECO	MX	220V 50/60Hz	2	YE400235600000	A
4	Q4 Q5	Circuit-breaker	TECO	BM-63C 3P	6A	2	YE403006030000	
5	K1 K2 K3	Contact	SIEMENS	3RT6016-1AN21	220V 50/60Hz	3	YE006016210000	
6	K4	Contact	SIEMENS	3RT6017-1AN21	220V 50/60Hz	1	YE006017210000	
7	K5	Contact	SIEMENS	3RT6017-1AN21	220V 50/60Hz	1	YE006017210000	
8	K7 K8	Middle relay	WEDMULLER	DRM270730LT	220V 50/60Hz	2	YE032707000000	
9	F1	Overload relay	SIEMENS	3RU6116-0EB0	0.35-0.5A	1	YE011613500000	
10	F2	Overload relay	SIEMENS	3RU6116-0EB0	0.28-0.4A	1	YE011612800000	
11	F3	Overload relay	SIEMENS	3RU6116-1FB0	3.5-5A	1	YE011603500000	B
12	PCB	Microprocessor control board+display screen	PUMP	K SF878500A 01-01	-----	1	YE808785000000	
13	T	Transformer	BAIYUN	BY-0407009	IN=600V OUT=230V 500mA	1	YE704073000800	
14	U	DC power	MEAN WELL	NES-35-24	OUT=DC24V 15A	1	YE713524001000	
15	FU1	Fuse base	CHINT	RT18-32	2P	1	YE410322000000	
16	FU2	Fuse	CHINT	10x38 500V	2A	2	YE460020001000	
17	FU3	Fuse	YINDA	FS-10	2A	1	YE410010000000	(1)
18	S1	Reed switch	FOTEK	FC-12V	24VDC	1	----	(1)
19	S2	Photoelectric switch	FOTEK	T18-3MNB-PE	24VDC	1	----	(1)
20	S3	Dew-point transducer	CS	CS 217-0EM	POWER=24VDC OUT=4-20mA	1	YE900217001000	(1)(2)
21	S4	Micro switch	TEND	----	230VDC	1	----	(1)
22	S5 S6	Temperature protector	EG0	WR-A-50-300-2500-3	250V 5(A)	2	----	(1)
23	S7,S8,S9	Thermocouple	SHINI	ST-K	K	3	----	(1)
24	Y1,Y2	Solenoid valve	FESTO	MSFW-230-50/60	230V 50/60Hz	2	----	(1)
25	H1	Buzzer	SHINI	PK-35A	220V 50/60Hz	1	YE840035002000	(1)
整机版本(Ver.D) Notes (1)Means it's not the material inside the control box (2)Stands for optional								
Drawing NO. SCD-40U(80U)/40H Electrical Components List 1			Scale Standard CE		Page 5 Totaly 6 Pages		Voltage Frequency 4,00V 50HZ	
Designer Proofread by Checked by Modify date			Version Approved by Date 20170620		SHINI 怡昇理熱機噐股份有限公司 Shini Plastics Technology, Inc.		8	

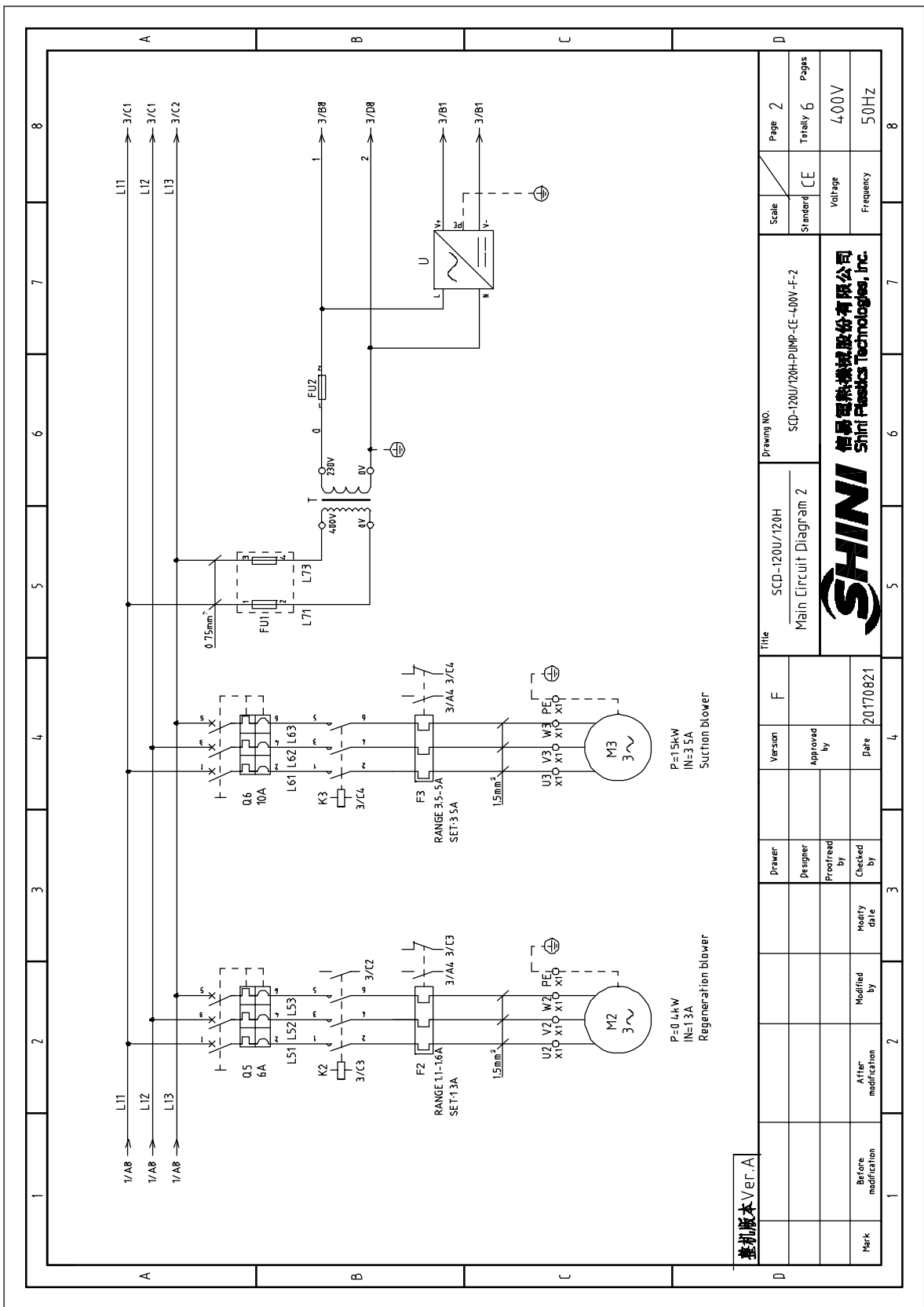


Ver A Note: Regeneration heater changed to 4kW when it is 60Hz

Scale	Page 1
Standard	Totally 6
CE	Pages
Voltage	400V
Frequency	50HZ

Drawing No.		Title	
SCP-120U/120H		Main Circuit Diagram 1	
SCP-120U/120H-PUMP-CE-400V-F-1		SHINI 怡昂理熱機股份有限公司 Shini Plasteks Technologies, Inc.	

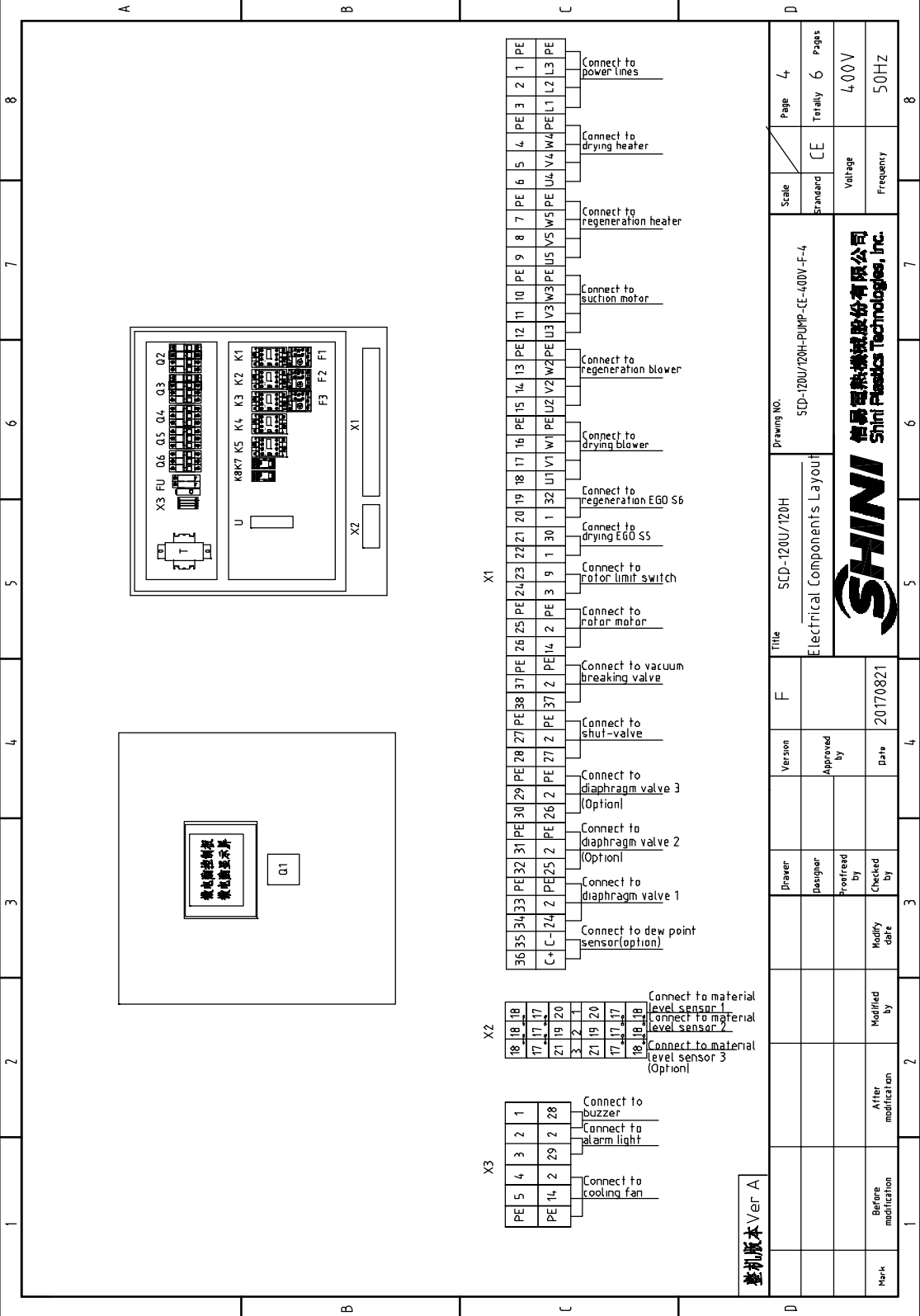
Drawn	Version	F	Date
Designer	Approved by		20170821
Prepared by	Checked by		
Modified by	Modify date		
After modification			
Before modification			



整机版本 Ver.A

Mark	Before modification	After modification	Modified by	Modify date	Checked by	Approved by	Version	F	Drawer	Designer	Protestred by	Checked by	Date	20170821
Title										SCD-1200/120H				
Drawing NO.										SCD-1200/120H-PUMP-CE-400V-F-2				
Main Circuit Diagram 2										Scale				
										Standard				
										Voltage				
										Frequency				
										Page 2				
										Totally 6				
										Pages				
										400V				
										50Hz				





最初版本 Ver A

- X3 PE 5 4 3 2 1 Connect to cooling fan
- PE 14 2 29 2 28 Connect to alarm light
- 2 1 Connect to buzzer
- X2 18 18 18 Connect to material level sensor 1 (Option)
- 17 17 17 Connect to material level sensor 2 (Option)
- 21 19 20
- 3 2 1
- 21 19 20
- 17 17 17
- 18 18 18
- X1 36 35 34 33 32 31 30 29 28 27 26 25 24 23 22 21 20 19 18 17 16 15 14 13 12 11 10 9 8 7 6 5 4 3 2 1 PE
- C-4 C-74 2 PE 25 2 PE 26 2 PE 27 2 PE 28 2 PE 29 2 PE 30 2 PE 31 2 PE 32 2 PE 33 2 PE 34 2 PE 35 2 PE 36 2 PE 37 2 PE 38 2 PE 39 2 PE 40 2 PE 41 2 PE 42 2 PE 43 2 PE 44 2 PE 45 2 PE 46 2 PE 47 2 PE 48 2 PE 49 2 PE 50 2 PE 51 2 PE 52 2 PE 53 2 PE 54 2 PE 55 2 PE 56 2 PE 57 2 PE 58 2 PE 59 2 PE 60 2 PE 61 2 PE 62 2 PE 63 2 PE 64 2 PE 65 2 PE 66 2 PE 67 2 PE 68 2 PE 69 2 PE 70 2 PE 71 2 PE 72 2 PE 73 2 PE 74 2 PE 75 2 PE 76 2 PE 77 2 PE 78 2 PE 79 2 PE 80 2 PE 81 2 PE 82 2 PE 83 2 PE 84 2 PE 85 2 PE 86 2 PE 87 2 PE 88 2 PE 89 2 PE 90 2 PE 91 2 PE 92 2 PE 93 2 PE 94 2 PE 95 2 PE 96 2 PE 97 2 PE 98 2 PE 99 2 PE 100 2
- Connect to dew point sensor(option)
- Connect to diaphragm valve 1
- Connect to diaphragm valve 2 (Option)
- Connect to diaphragm valve 3 (Option)
- Connect to shut-valve
- Connect to vacuum breaking valve
- Connect to motor
- Connect to motor limit switch
- Connect to drying EOD S5
- Connect to regeneration EGO S6
- Connect to drying blower
- Connect to regeneration blower
- Connect to suction motor
- Connect to regeneration heater
- Connect to drying heater
- Connect to power-lines

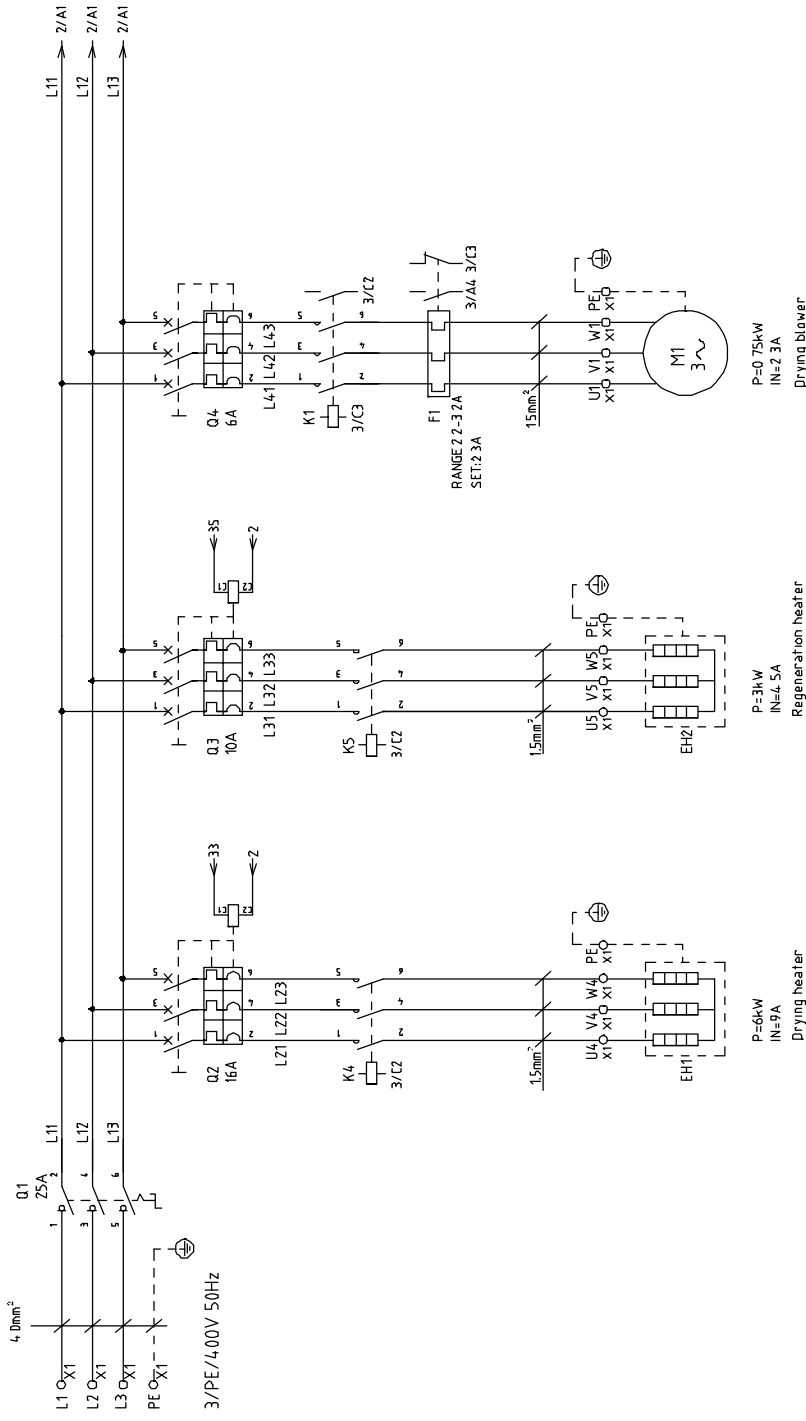
Scale	Page	4
Standard	Totally	6
CE	Pages	400 V
Standard	Frequency	50HZ
Drawing NO. SCD-120U/120H-PUMP-CE-400V-F-4		
Title SCD-120U/120H Electrical Components Layout		
Designer	Version	F
Checked by	Approved by	
Modify date	Date	20170821
Mark	Before modification	
	After modification	



1	2	3	4	5	6	7	8				
NO	Symbol	Name	Manufacturer	Type	Specification	Number	Material number	Remark			
1	Q1	Main power switch	EATON	P1-25/EA/SVB	25A	1	YE10125250000				
2	Q2	Circuit-breaker	TECO	BM-63C 3P	16A	1	YE40301603000				
3	Q3 Q6	Circuit-breaker	TECO	BM-63C 3P	10A	2	YE40301003000	A			
4	Q4 Q5	Excitation release	TECO	MX	220V 50/60Hz	2	YE40023560000				
5	K1 K2 K3	Circuit-breaker	TECO	BM-63C 3P	6A	3	YE40300603000				
6	K4	Contactor	SIEMENS	3RT6016-1ANZ1	220V 50/60Hz	3	YE00601621000				
7	K5	Contactor	SIEMENS	3RT6018-1ANZ1	220V 50/60Hz	1	YE00601801000				
8	K7 K8	Contactor	SIEMENS	3RT6017-1ANZ1	220V 50/60Hz	1	YE00601721000				
9	F1	Middle relay	WEDMULLER	DRM270730LT	220V 50/60Hz	2	YE03270700000				
10	F2	Overload relay	SIEMENS	3RU6116-1DB0	2.2-3.2A	1	YE01160220000				
11	F3	Overload relay	SIEMENS	3RU6116-1AB0	1.1-1.6A	1	YE01160110000	B			
12	PCB	Overload relay	SIEMENS	3RU6116-1FB0	3.5-5A	1	YE01160350000				
13	T	Microprocessor control board+display screen	PUMP	K SF878500A D1-01	-----	1	YE80878500000				
14	U	Transformer	BAIYUN	BY-0407009	IN=400V OUT=230V 500mA	1	YE704070300800				
15	FU1	DC power	MEAN WELL	NES-35-24	OUT=DC24V 15A	1	YE71352400100				
16	FU2	Fuse base	CHINT	RT18-32	2P	1	YE41032200000				
17	S1	Fuse	CHINT	10x38 500V	2A	2	YE46002000100				
18	S2	Fuse	YINDA	FS-10	2A	1	YE41001000000	C			
19	S3	Reed switch	FOTEK	FC-12V	24VDC	1	----	(1)			
20	S4	Photoelectric switch	FOTEK	T18-3MNB-PE	24VDC	1	----	(1)			
21	S5 S6	Dew-point transducer	CS	CS 217-0EM	POWER=24VDC OUT=4-20mA	1	YE90021700100	(1)(2)			
22	S7,S8,S9	Micro switch	TEND	----	----	1	----	(1)			
23	Y1,Y2,Y3,Y5	Temperature protector	EGO	WR-A-50-300-2500-3	250V 5(A)	2	----	(1)			
24	Y1,Y2,Y3,Y5	Thermocouple	SHINI	ST-K	K	3	----	(1)			
25	Y1,Y2,Y3,Y5	Solenoid valve	FESTO	MSFW-230-50/60	230V 50/60Hz	4	----	(1)			
D	Version	Ver A	Notes: (1)Means it's not the material inside the control box (2)Stands for optional.	Title	SCD-120U/120H	Drawing NO.	SCD-120U/120H-PUMP-CE-400V-F-5	Scale	Standard	Page	5
D	Electrical Components List 1	F	Version	Approved by	Date	20170821	Voltage	400V	Frequency	50HZ	8
D	SHINI	SHINI	SHINI	SHINI	SHINI	SHINI	SHINI	SHINI	SHINI	SHINI	SHINI
D	SHINI	SHINI	SHINI	SHINI	SHINI	SHINI	SHINI	SHINI	SHINI	SHINI	SHINI
D	SHINI	SHINI	SHINI	SHINI	SHINI	SHINI	SHINI	SHINI	SHINI	SHINI	SHINI
D	SHINI	SHINI	SHINI	SHINI	SHINI	SHINI	SHINI	SHINI	SHINI	SHINI	SHINI
D	SHINI	SHINI	SHINI	SHINI	SHINI	SHINI	SHINI	SHINI	SHINI	SHINI	SHINI
D	SHINI	SHINI	SHINI	SHINI	SHINI	SHINI	SHINI	SHINI	SHINI	SHINI	SHINI
D	SHINI	SHINI	SHINI	SHINI	SHINI	SHINI	SHINI	SHINI	SHINI	SHINI	SHINI
D	SHINI	SHINI	SHINI	SHINI	SHINI	SHINI	SHINI	SHINI	SHINI	SHINI	SHINI
D	SHINI	SHINI	SHINI	SHINI	SHINI	SHINI	SHINI	SHINI	SHINI	SHINI	SHINI
D	SHINI	SHINI	SHINI	SHINI	SHINI	SHINI	SHINI	SHINI	SHINI	SHINI	SHINI
D	SHINI	SHINI	SHINI	SHINI	SHINI	SHINI	SHINI	SHINI	SHINI	SHINI	SHINI
D	SHINI	SHINI	SHINI	SHINI	SHINI	SHINI	SHINI	SHINI	SHINI	SHINI	SHINI
D	SHINI	SHINI	SHINI	SHINI	SHINI	SHINI	SHINI	SHINI	SHINI	SHINI	SHINI
D	SHINI	SHINI	SHINI	SHINI	SHINI	SHINI	SHINI	SHINI	SHINI	SHINI	SHINI
D	SHINI	SHINI	SHINI	SHINI	SHINI	SHINI	SHINI	SHINI	SHINI	SHINI	SHINI
D	SHINI	SHINI	SHINI	SHINI	SHINI	SHINI	SHINI	SHINI	SHINI	SHINI	SHINI
D	SHINI	SHINI	SHINI	SHINI	SHINI	SHINI	SHINI	SHINI	SHINI	SHINI	SHINI
D	SHINI	SHINI	SHINI	SHINI	SHINI	SHINI	SHINI	SHINI	SHINI	SHINI	SHINI
D	SHINI	SHINI	SHINI	SHINI	SHINI	SHINI	SHINI	SHINI	SHINI	SHINI	SHINI
D	SHINI	SHINI	SHINI	SHINI	SHINI	SHINI	SHINI	SHINI	SHINI	SHINI	SHINI
D	SHINI	SHINI	SHINI	SHINI	SHINI	SHINI	SHINI	SHINI	SHINI	SHINI	SHINI
D	SHINI	SHINI	SHINI	SHINI	SHINI	SHINI	SHINI	SHINI	SHINI	SHINI	SHINI
D	SHINI	SHINI	SHINI	SHINI	SHINI	SHINI	SHINI	SHINI	SHINI	SHINI	SHINI
D	SHINI	SHINI	SHINI	SHINI	SHINI	SHINI	SHINI	SHINI	SHINI	SHINI	SHINI
D	SHINI	SHINI	SHINI	SHINI	SHINI	SHINI	SHINI	SHINI	SHINI	SHINI	SHINI
D	SHINI	SHINI	SHINI	SHINI	SHINI	SHINI	SHINI	SHINI	SHINI	SHINI	SHINI
D	SHINI	SHINI	SHINI	SHINI	SHINI	SHINI	SHINI	SHINI	SHINI	SHINI	SHINI
D	SHINI	SHINI	SHINI	SHINI	SHINI	SHINI	SHINI	SHINI	SHINI	SHINI	SHINI
D	SHINI	SHINI	SHINI	SHINI	SHINI	SHINI	SHINI	SHINI	SHINI	SHINI	SHINI
D	SHINI	SHINI	SHINI	SHINI	SHINI	SHINI	SHINI	SHINI	SHINI	SHINI	SHINI
D	SHINI	SHINI	SHINI	SHINI	SHINI	SHINI	SHINI	SHINI	SHINI	SHINI	SHINI
D	SHINI	SHINI	SHINI	SHINI	SHINI	SHINI	SHINI	SHINI	SHINI	SHINI	SHINI
D	SHINI	SHINI	SHINI	SHINI	SHINI	SHINI	SHINI	SHINI	SHINI	SHINI	SHINI
D	SHINI	SHINI	SHINI	SHINI	SHINI	SHINI	SHINI	SHINI	SHINI	SHINI	SHINI
D	SHINI	SHINI	SHINI	SHINI	SHINI	SHINI	SHINI	SHINI	SHINI	SHINI	SHINI
D	SHINI	SHINI	SHINI	SHINI	SHINI	SHINI	SHINI	SHINI	SHINI	SHINI	SHINI
D	SHINI	SHINI	SHINI	SHINI	SHINI	SHINI	SHINI	SHINI	SHINI	SHINI	SHINI
D	SHINI	SHINI	SHINI	SHINI	SHINI	SHINI	SHINI	SHINI	SHINI	SHINI	SHINI
D	SHINI	SHINI	SHINI	SHINI	SHINI	SHINI	SHINI	SHINI	SHINI	SHINI	SHINI
D	SHINI	SHINI	SHINI	SHINI	SHINI	SHINI	SHINI	SHINI	SHINI	SHINI	SHINI
D	SHINI	SHINI	SHINI	SHINI	SHINI	SHINI	SHINI	SHINI	SHINI	SHINI	SHINI
D	SHINI	SHINI	SHINI	SHINI	SHINI	SHINI	SHINI	SHINI	SHINI	SHINI	SHINI
D	SHINI	SHINI	SHINI	SHINI	SHINI	SHINI	SHINI	SHINI	SHINI	SHINI	SHINI
D	SHINI	SHINI	SHINI	SHINI	SHINI	SHINI	SHINI	SHINI	SHINI	SHINI	SHINI
D	SHINI	SHINI	SHINI	SHINI	SHINI	SHINI	SHINI	SHINI	SHINI	SHINI	SHINI
D	SHINI	SHINI	SHINI	SHINI	SHINI	SHINI	SHINI	SHINI	SHINI	SHINI	SHINI
D	SHINI	SHINI	SHINI	SHINI	SHINI	SHINI	SHINI	SHINI	SHINI	SHINI	SHINI
D	SHINI	SHINI	SHINI	SHINI	SHINI	SHINI	SHINI	SHINI	SHINI	SHINI	SHINI
D	SHINI	SHINI	SHINI	SHINI	SHINI	SHINI	SHINI	SHINI	SHINI	SHINI	SHINI
D	SHINI	SHINI	SHINI	SHINI	SHINI	SHINI	SHINI	SHINI	SHINI	SHINI	SHINI
D	SHINI	SHINI	SHINI	SHINI	SHINI	SHINI	SHINI	SHINI	SHINI	SHINI	SHINI
D	SHINI	SHINI	SHINI	SHINI	SHINI	SHINI	SHINI	SHINI	SHINI	SHINI	SHINI
D	SHINI	SHINI	SHINI	SHINI	SHINI	SHINI	SHINI	SHINI	SHINI	SHINI	SHINI
D	SHINI	SHINI	SHINI	SHINI	SHINI	SHINI	SHINI	SHINI	SHINI	SHINI	SHINI
D	SHINI	SHINI	SHINI	SHINI	SHINI	SHINI	SHINI	SHINI	SHINI	SHINI	SHINI
D	SHINI	SHINI	SHINI	SHINI	SHINI	SHINI	SHINI	SHINI	SHINI	SHINI	SHINI
D	SHINI	SHINI	SHINI	SHINI	SHINI	SHINI	SHINI	SHINI	SHINI	SHINI	SHINI
D	SHINI	SHINI	SHINI	SHINI	SHINI	SHINI	SHINI	SHINI	SHINI	SHINI	SHINI
D	SHINI	SHINI	SHINI	SHINI	SHINI	SHINI	SHINI	SHINI	SHINI	SHINI	SHINI
D	SHINI	SHINI	SHINI	SHINI	SHINI	SHINI	SHINI	SHINI	SHINI	SHINI	SHINI
D	SHINI	SHINI	SHINI	SHINI	SHINI	SHINI	SHINI	SHINI	SHINI	SHINI	SHINI
D	SHINI	SHINI	SHINI	SHINI	SHINI	SHINI	SHINI	SHINI	SHINI	SHINI	SHINI
D	SHINI	SHINI	SHINI	SHINI	SHINI	SHINI	SHINI	SHINI	SHINI	SHINI	SHINI
D	SHINI	SHINI	SHINI								

1	2	3	4	5	6	7	8	
NO	Symbol	Name	Manufacturer	Type	Specification	Number	Material number	Remark
26	Y4	Solenoid valve	FESTO	MSFW-230-50/60	230V 50/60Hz	1	----	(1)I2
27	H1	Buzzer	SHINI	PK-35A	230V 50/60Hz	1	YE64003500200	(1)
28	H2	Alarm indicator	SHINI	LED-3051	230V 50/60Hz	1	YE63305100200	(1)
29	X1	Terminal board	HONEYWELL	4mm ²	4-1A 690V	18	YE60000403200	
30				4mm ² PE	-	6	YE60000403500	
31			HONEYWELL	2.5mm ²	32A 690V	16	YE60002503700	
32				2.5mm ² PE	-	5	YE60002503400	
33				2.5mm ²	32A 690V	4	YE60002503700	(2)
34				2.5mm ² PE	-	1	YE60002503400	(2)
35	X2	Terminal board	----	Spring terminals SK2.5-TL	10A 250V	2	YE60002503600	
36				Spring terminals SK2.5-TL	10A 250V	1	YE60002503600	(2)
37				SK-2.5TL新零件	10A 250V	1	YE60001003600	
38	X3	Terminal board	HONEYWELL	2.5mm ²	32A 690V	5	YE60002503700	
39				2.5mm ² PE	-	1	YE60002503400	
40	X4_X5	Heavy duty connector	SIBAS	HDC-HA-004.1	4P 10A	2	YE68041000100	(1)
41	FM	Fan	SUNON	DP-200A	230VAC 4.0W	1	YM60121200400	(1)
42	M1	Blower	SHINI	-----	4.00V 0.75kW	1	-----	(1)
43	M2	Blower	SHINI	-----	4.00V 0.4kW	1	-----	(1)
44	M3	Blower	SHINI	-----	4.00V 1.5kW	1	-----	(1)
45	M4	Motor	----	-----	230V 0.015kW	1	-----	(1)
46	EH1	Heater	SHINI	-----	4.00V 6kW	1	-----	(1)
47	EH2	Heater	SHINI	-----	4.00V 3kW	1	-----	(1)
48	EH2	Heater	SHINI	-----	4.00V 4kW	1	-----	(1)
49	S10	Communication interface board RS-485 (double Dsub-9pin connector)	--	--	--	1	YE90048501200	(1)
50		Shell RS485(SAL-700G-A-191D)	--	--	--	1	YR40048500000	(1)
資料版本 Ver A Notes (1)Means it's not the material inside the control box (2)Stands for optional								
			Drawer	Version	Title		D	
			Designer	Approved by	SCD-120U/120H		Scale	Page
			Proofread by		Electrical Components List 2		Standard	6
			Checked by	Date	SCD-120U/20H-PUMP-CE-4.00V-F-6		CE	Totally 6
			Modify date	20170821			Voltage	4.00V
Mark			After modification				Frequency	50HZ
								8





整机版本 Ver. E Note: Regeneration heater changed to 4kW when it is 60Hz		Drawing No. SCD-160U/120H Main Circuit Diagram 1		Title SCD-160U/120H-PUMP-CE-400V-F-1		Scale Standard CE	Page 1 Totally 6
Mark Before modification	After modification	Modified by	Modified date	Checked by	Checked date	Version Approved by	Date
							Voltage 400V Frequency 50Hz



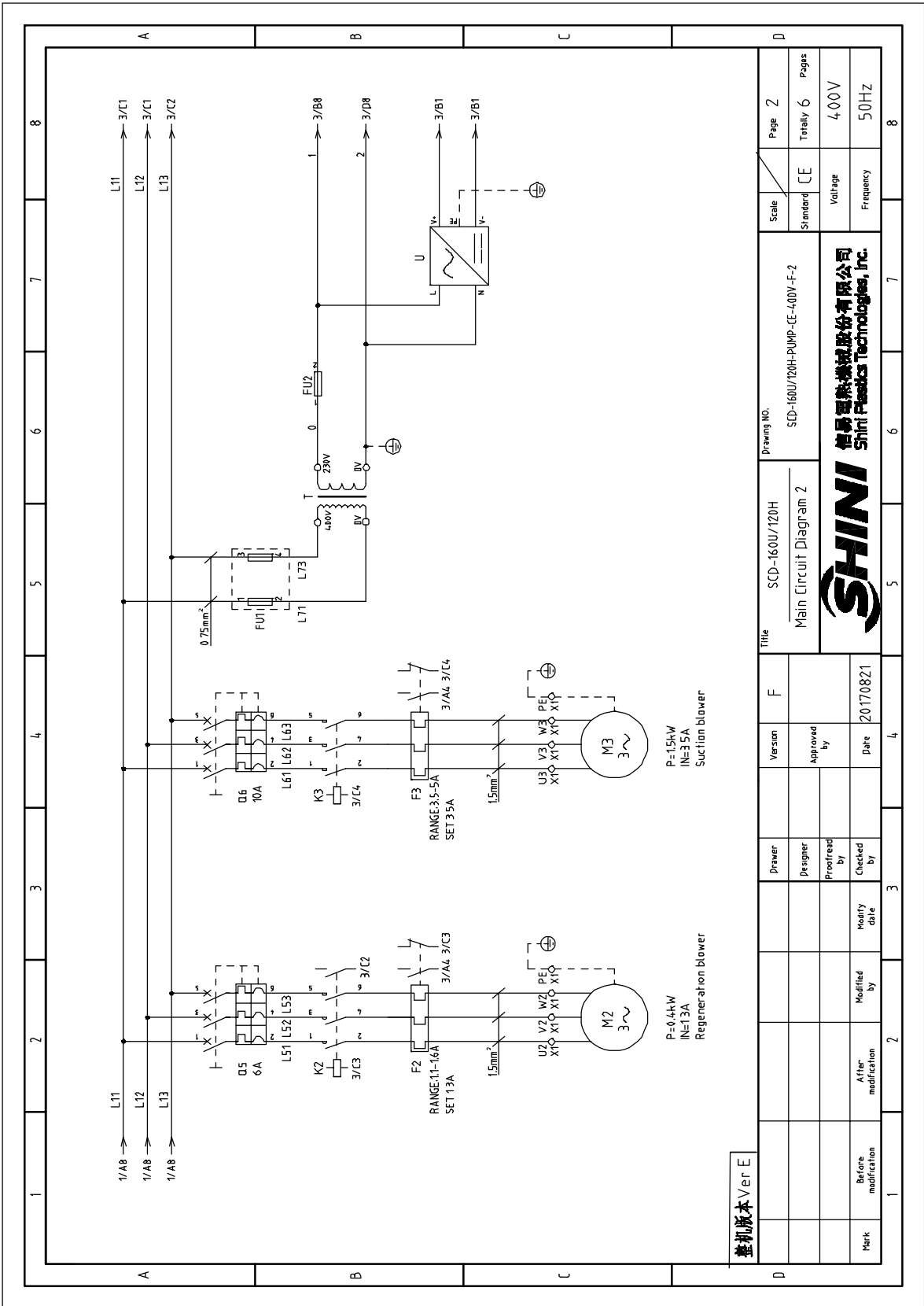
P=0.75kW
IN=2.3A
Drying blower

P=3kW
IN=6.5A
Regeneration heater

P=6kW
IN=9A
Drying heater

1 2 3 4 5 6 7 8

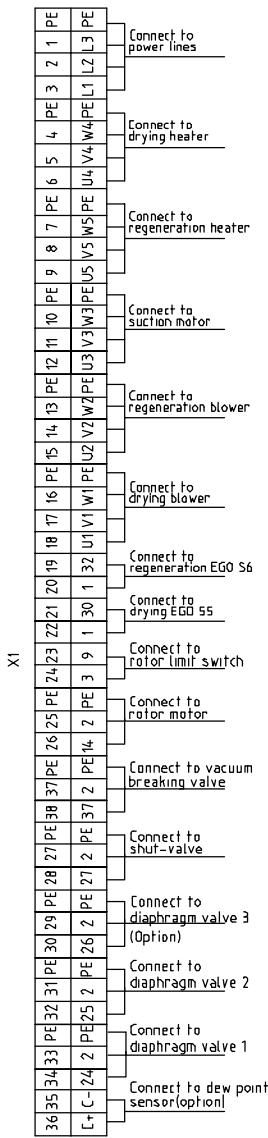
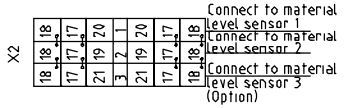
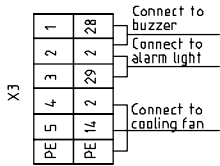
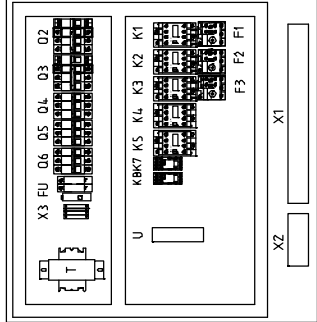
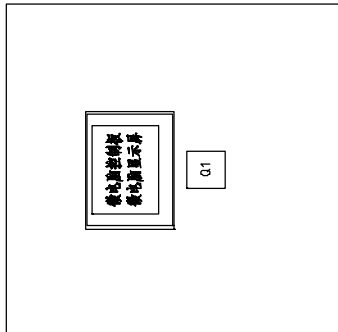
A B C D



整机版本 Ver E

Mark	Before modification	Modified by	Modify date	Checked by	Approved by	Version	F	Title	Drawing NO.	Scale	Page 2
								Main Circuit Diagram 2	SCD-160U/120H-PUWP-CE-400V-F-2	Standard CE	Totally 6
										Voltage	400V
										Frequency	50HZ





整机版本 Ver. E

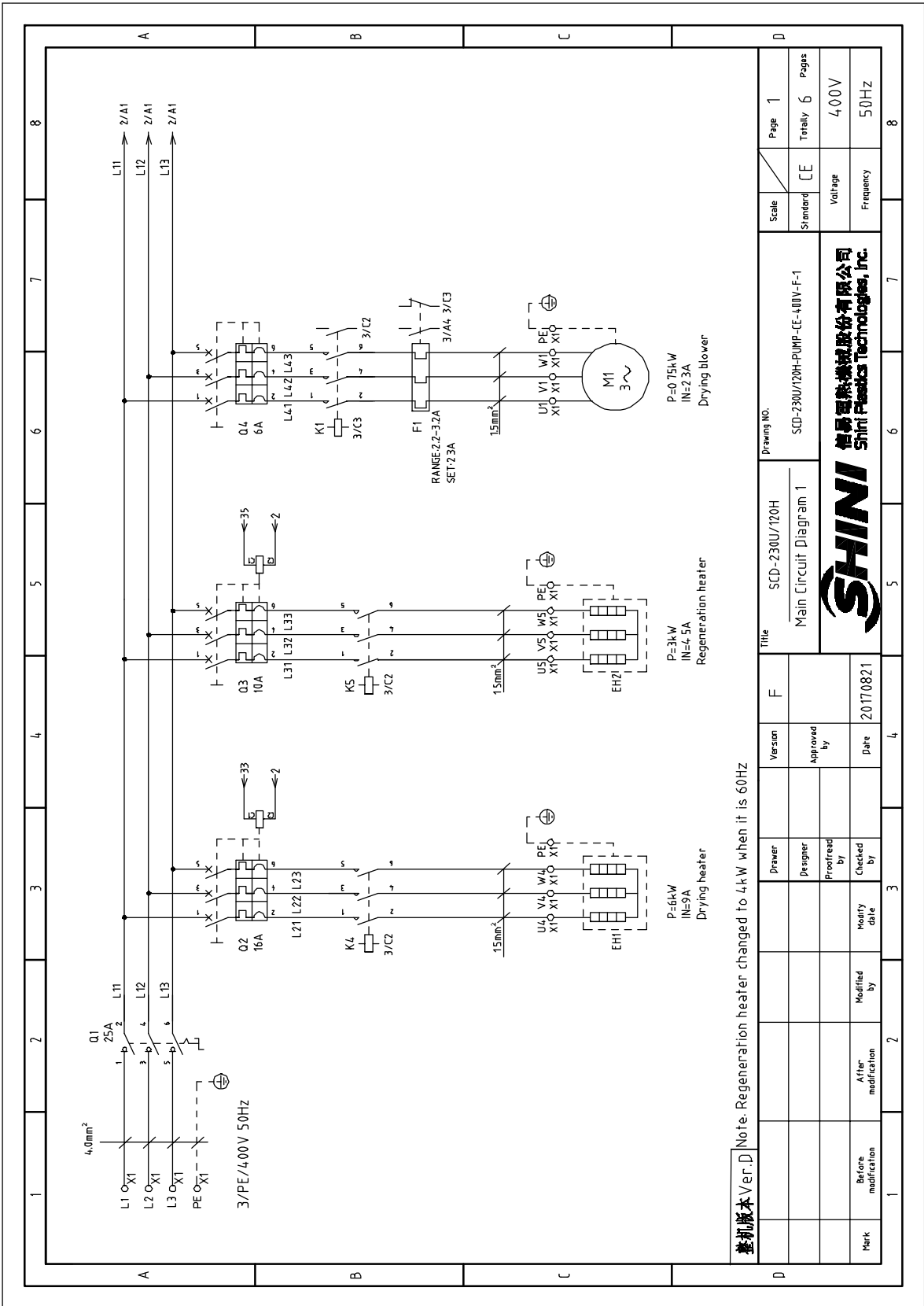
Title	SCD-160U/120H		Drawing NO.	SCD-160U/120H-PUMP-CE-400V-F-4		
	Electrical Components Layout					
Version	F	Scale	Standard	CE	Page	4
Approved by		Standard	CE	Totally	Pages	6
Date	20170821	Voltage	400V	Frequency	50HZ	
Checked by		Frequency	50HZ			
Modified by						
After modification						
Before modification						
Mark						



1	2	3	4	5	6	7	8	
NO	Symbol	Name	Manufacturer	Type	Specification	Number	Material number	Remark
1	Q1	Main power switch	EATON	P1-25/EA/SVB	25A	1	YE10125250000	
2	Q2	Circuit-breaker	TECO	BM-63C 3P	16A	1	YE40301603000	
3	Q3 Q6	Circuit-breaker	TECO	BM-63C 3P	10A	2	YE40301003000	A
4		Excitation release	TECO	MX	220V 50/60Hz	2	YE40023560000	
5	Q4 Q5	Circuit-breaker	TECO	BM-63C 3P	6A	3	YE40300603000	
6	K1 K2 K3	Contact	SIEMENS	3RT6016-1ANZ1	220V 50/60Hz	3	YE00601621000	
7	K4	Contact	SIEMENS	3RT6018-1ANZ1	220V 50/60Hz	1	YE00601801000	
8	K5	Contact	SIEMENS	3RT6017-1ANZ1	220V 50/60Hz	1	YE00601721000	
9	K7 K8	Middle relay	WEDMULLER	DRM270730LT	220V 50/60Hz	2	YE03270700000	
10	F1	Overload relay	SIEMENS	3RU6116-1DB0	2.2-3.2A	1	YE01160220000	
11	F2	Overload relay	SIEMENS	3RU6116-1AB0	1.1-1.6A	1	YE01160110000	B
12	F3	Overload relay	SIEMENS	3RU6116-1FB0	3.5-5A	1	YE01160350000	
13	PCB	Microprocessor control board-display screen	PUMP	K SF878500A D1-01	-----	1	YE80878500000	
14	T	Transformer	BAIYUN	BY-0407009	IN=400V OUT=230V 500mA	1	YE704070300800	
15	U	DC power	MEAN WELL	NES-35-24	OUT=DC24V 15A	1	YE71352400100	
16	FU1	Fuse base	CHINT	RT18-32	2P	1	YE41032200000	
17		Fuse	CHINT	10x38 500V	2A	2	YE46002000100	
18	FU2	Fuse	YINDA	FS-10	2A	1	YE41001000000	C
19	S1	Reed switch	FOTEK	FC-12V	24VDC	1	----	(1)
20	S2	Photoelectric switch	FOTEK	T18-3MNB-PE	24VDC	1	----	(1)
21	S3	Dew-point transducer	CS	CS 217-0EM	POWER=24VDC OUT=4-20mA	1	YE90021700100	(1)(2)
22	S4	Micro switch	TEND	----	----	1	----	(1)
23	S5 S6	Temperature protector	EGO	WR-A-50-300-2500-3	250V 5(A)	2	----	(1)
24	S7,S8,S9	Thermocouple	SHINI	ST-K	K	3	----	(1)
25	Y1,Y2,Y3,Y5	Solenoid valve	FESTO	MSFW-230-50/60	230V 50/60Hz	4	----	(1)
整机版本 Ver E Notes: (1)Means it's not the material inside the control box. (2)Stands for optional.								
			Drawer	Version	F	Title		D
			Designer	Approved by	Drawing NO.			Scale
			Proofread by	SCD-160U/120H			Standard	
			Checked by	Electrical Components List 1			CE	
			Modify date	SCD-160U/20H-PUMP-CE-400V-F-5			Voltage	
				SHINI 信昌塑料机械股份有限公司			Frequency	
				Shini Plastics Technology, Inc.			Totally	
				Date 20170821			Page 5	
							Page 6	
							400V	
							50HZ	
							8	

1	2	3	4	5	6	7	8	
NO	Symbol	Name	Manufacturer	Type	Specification	Number	Material number	Remark
26	Y4	Solenoid valve	FESTO	MSFW-230-50/60	230V 50/60Hz	1	----	(1)(2)
27	H1	Buzzer	SHINI	PK-35A	230V 50/60Hz	1	YE64003500200	(1)
28	H2	Alarm indicator	SHINI	LED-3051	230V 50/60Hz	1	YE63305100200	(1)
29	X1	Terminal board	HONEYWELL	4mm ²	4-1A 690V	18	YE60000403200	A
30				4mm ² PE	-	6	YE60000403500	
31			HONEYWELL	2.5mm ²	32A 690V	16	YE60002503700	
32				2.5mm ² PE	-	5	YE60002503400	
33				2.5mm ²	32A 690V	4	YE60002503700	(2)
34				2.5mm ² PE	-	1	YE60002503400	(2)
35	X2	Terminal board	----	Spring terminals SKZ.5-TL	10A 250V	2	YE60002503600	B
36				Spring terminals SKZ.5-TL	10A 250V	1	YE60002503600	(2)
37				SK-2.5TL 绝缘棒	10A 250V	1	YE60001003600	
38	X3	Terminal board	HONEYWELL	2.5mm ²	32A 690V	5	YE60002503700	
39				2.5mm ² PE	-	1	YE60002503400	
40	X4_X5	Heavy duty connector	SIBAS	HDC-HA-004.1	4P 10A	2	YE68041000100	(1)
41	FM	Fan	SUNON	DP-200A	230VAC 4.0W	1	YM60121200400	(1)
42	M1	Blower	SHINI	----	4.00V 0.75kW	1	----	(1)
43	M2	Blower	SHINI	----	4.00V 0.4kW	1	----	(1)
44	M3	Blower	SHINI	----	4.00V 1.5kW	1	----	(1)
45	M4	Motor	----	----	230V 0.015kW	1	----	(1)
46	EH1	Heater	SHINI	----	4.00V 6kW	1	----	(1)
47	EH2	Heater	SHINI	----	4.00V 3kW	1	----	(1)
48	EH2	Heater	SHINI	----	4.00V 4kW	1	----	(1)
49	S10	Communication interface board (double D-sub-9pin connector)	--	--	--	1	YE90048501200	(1)
50		Shell RS485(SAL-700G-A-1910)	--	--	--	1	YR40048500000	(1)
整机版本 Ver E Notes: (1)Means it's not the material inside the control box (2)Stands for optional								
Drawing NO.			SCD-160U/120H		SCD-160U/120H-PUMP-CE-400V-F-6		Page 6	
Title			Electrical Components List 2		Standard		CE	
Designer			Approved by		Voltage		4.00V	
Proofread by			Date		Frequency		50HZ	
Checked by			20170821					
Modify date								
After modification			Modified by					
Before modification								
Mark								
Total			Totally		6		6	
Pages			4.00V		50HZ		8	

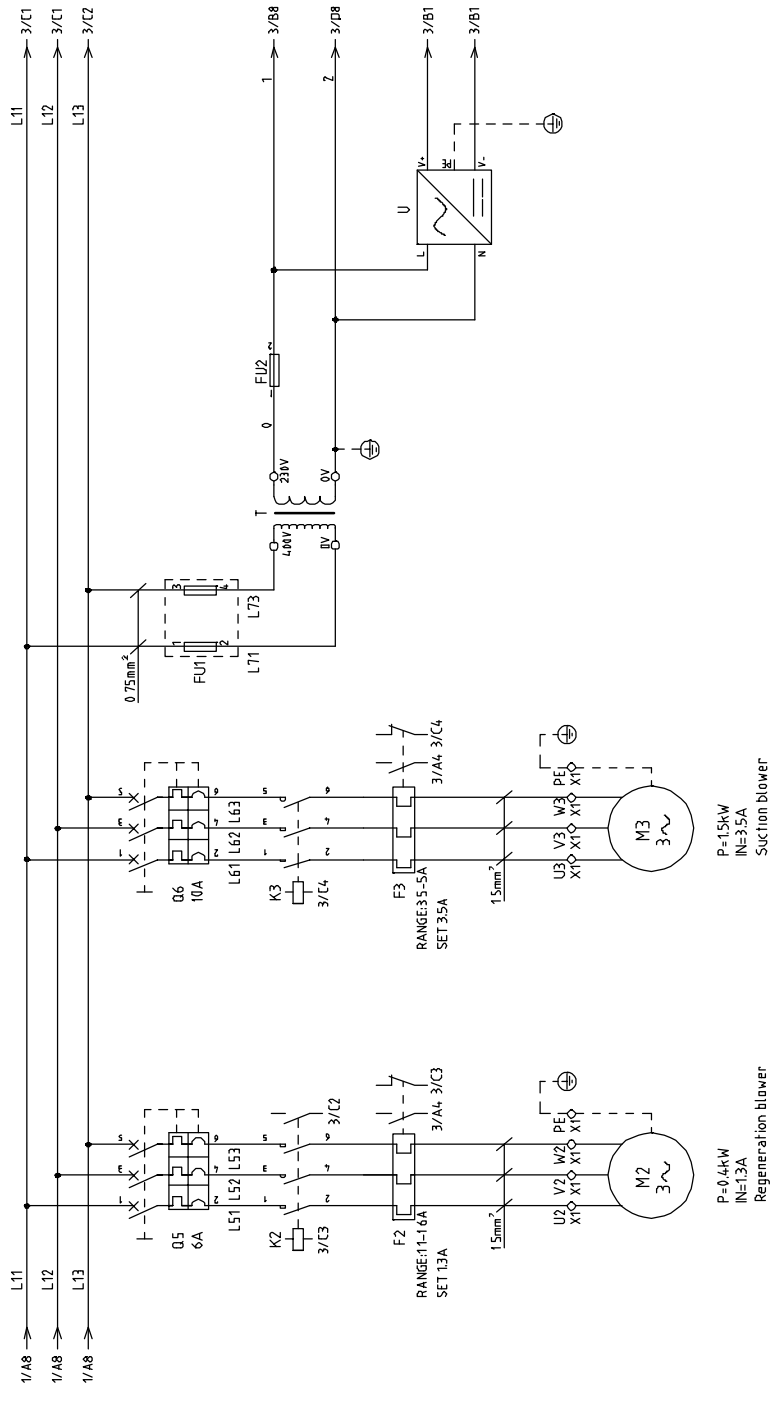




最初版本 Ver. D | Note: Regeneration heater changed to 4kW when it is 60Hz

Title		SCD-230U/120H		Drawing No.		SCD-230U/120H-PUMP-CE-400V-F-1	
F		Main Circuit Diagram 1		Scale		CE	
Version		Approved by		Voltage		400V	
Designer		Checked by		Frequency		50Hz	
Prepared by		Date		Page 1		Totally 6	
Modified by		20170821		Pages		400V	
Mark		Before modification		After modification		50Hz	





Title		Drawing NO.		Scale	Page
SCD-230U/120H		SCD-230U/120H-PUMP-CE-400V-F-2		Standard	Totally 6
Main Circuit Diagram 2		CE		Voltage	400V
				Frequency	50HZ
Version	Approved by	Date			
		20170821			
Designer	Checked by	Modify date			
Before modification	After modification	Modified by			



臺機版本 Ver.D

P=1.5kW
IN=3.5A
Suction blower

P=0.4kW
IN=1.3A
Regeneration blower

1 2 3 4 5 6 7 8

A A B B C C D D

1/A8 → L11 → 3/C1
1/A8 → L12 → 3/C1
1/A8 → L13 → 3/C2

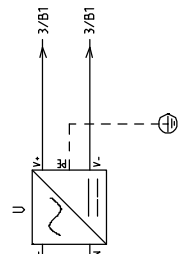
0.75mm²
FU1
L71
L73
T
400V
230V
0V
FIJ2
3/B8
3/D8

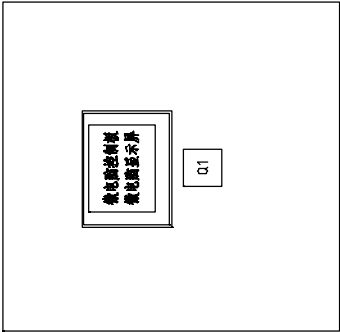
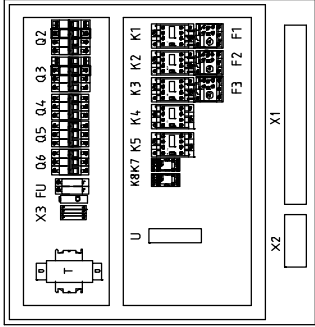
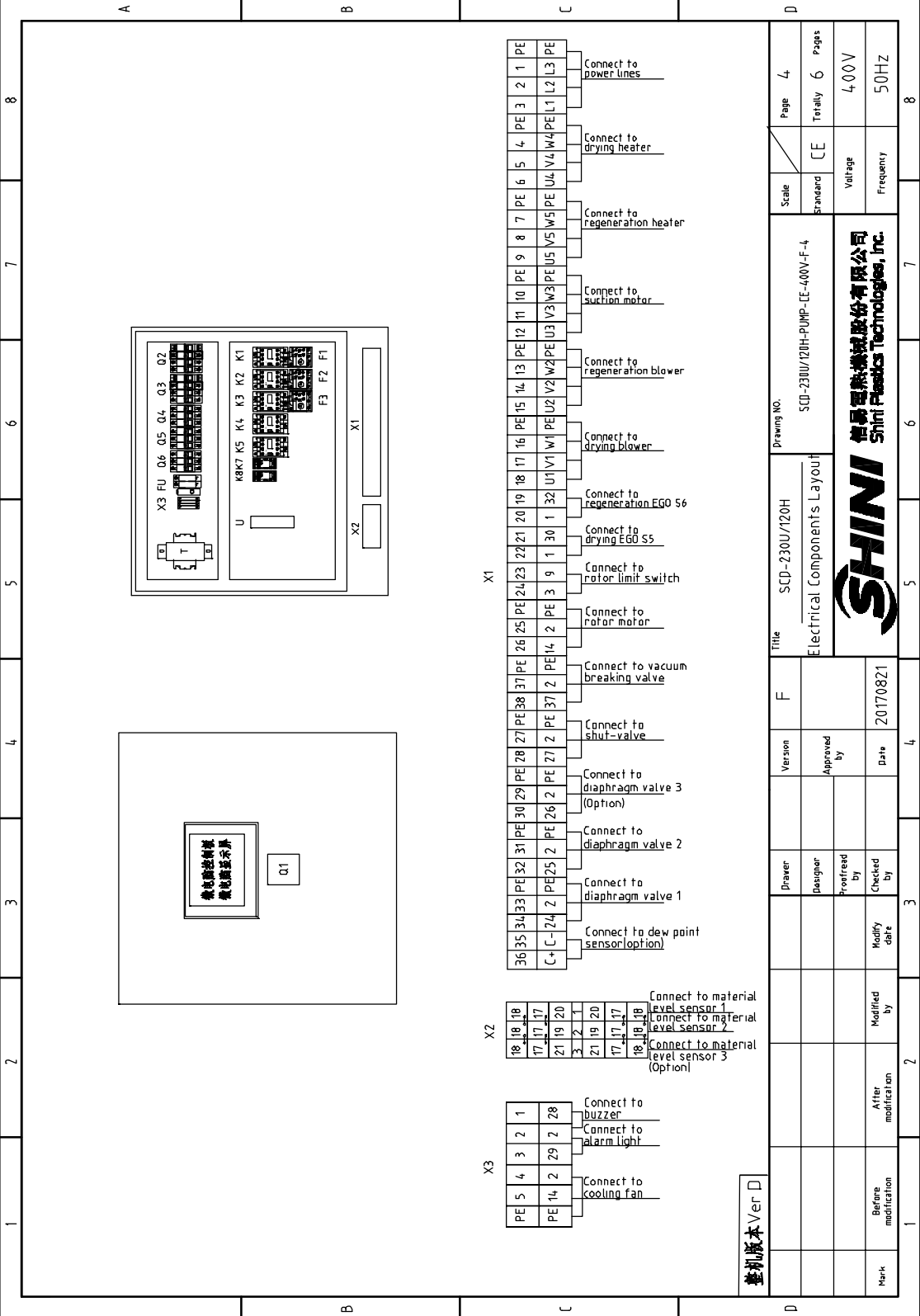
Q6
10A
L61 L62 L63
K3
3/C4
F3
RANGE: 3.5-5KA
SET: 3.5A
3/A4 3/C4
1.5mm²
U3 V3 W3 PE
X1 Y X1 Y X1 Y

Q5
6A
L51 L52 L53
K2
3/C3
F2
RANGE: 11-10A
SET: 13A
3/A4 3/C3
1.5mm²
U2 V2 W2 PE
X1 Y X1 Y X1 Y

M3
3~

M2
3~





- X3 PE 5 Connect to cooling fan
- PE 14 2 29 2 28 Connect to alarm light
- 4 3 2 1 Connect to buzzer
- X2 18 18 18 Connect to material level sensor 1 (Option)
- 17 17 17 Connect to material level sensor 2 (Option)
- 21 19 20 Connect to material level sensor 3 (Option)
- 3 2 1
- 21 19 20
- 17 17 17
- 18 18 18
- X3 36 35 34 33 32 31 30 29 28 27 26 25 24 23 22 21 20 19 18 17 16 15 14 13 12 11 10 9 8 7 6 5 4 3 2 1 PE
- C+ C- 24 2 PE 25 2 PE 26 2 PE 27 2 PE 28 2 PE 29 2 PE 30 2 PE 31 2 PE 32 2 PE 33 2 PE 34 2 PE 35 2 PE 36 2 PE 37 2 PE 38 2 PE 39 2 PE 40 2 PE 41 2 PE 42 2 PE 43 2 PE 44 2 PE 45 2 PE 46 2 PE 47 2 PE 48 2 PE 49 2 PE 50 2 PE 51 2 PE 52 2 PE 53 2 PE 54 2 PE 55 2 PE 56 2 PE 57 2 PE 58 2 PE 59 2 PE 60 2 PE 61 2 PE 62 2 PE 63 2 PE 64 2 PE 65 2 PE 66 2 PE 67 2 PE 68 2 PE 69 2 PE 70 2 PE 71 2 PE 72 2 PE 73 2 PE 74 2 PE 75 2 PE 76 2 PE 77 2 PE 78 2 PE 79 2 PE 80 2 PE 81 2 PE 82 2 PE 83 2 PE 84 2 PE 85 2 PE 86 2 PE 87 2 PE 88 2 PE 89 2 PE 90 2 PE 91 2 PE 92 2 PE 93 2 PE 94 2 PE 95 2 PE 96 2 PE 97 2 PE 98 2 PE 99 2 PE 100 2
- Connect to dew point sensor (option)
- Connect to diaphragm valve 1
- Connect to diaphragm valve 2 (Option)
- Connect to diaphragm valve 3 (Option)
- Connect to shut-valve
- Connect to vacuum breaking valve
- Connect to rotor motor
- Connect to rotor limit switch
- Connect to drying EGO SS
- Connect to regeneration EGO 56
- Connect to drying blower
- Connect to regeneration blower
- Connect to suction motor
- Connect to regeneration heater
- Connect to drying heater
- Connect to power lines

Title		Drawing NO.		Scale	Page
SCD-230U/120H		SCD-230U/120H-PUMP-CE-400V-F-4		CE	4
Electrical Components Layout		Standard		Totally 6 Pages	
Version		Voltage		400V	
Approved by		Frequency		50HZ	
Designer	Checked by	Date		20170821	
Drawn	Modified by	Modify date			
Before modification		After modification			
Mark		Ver D			



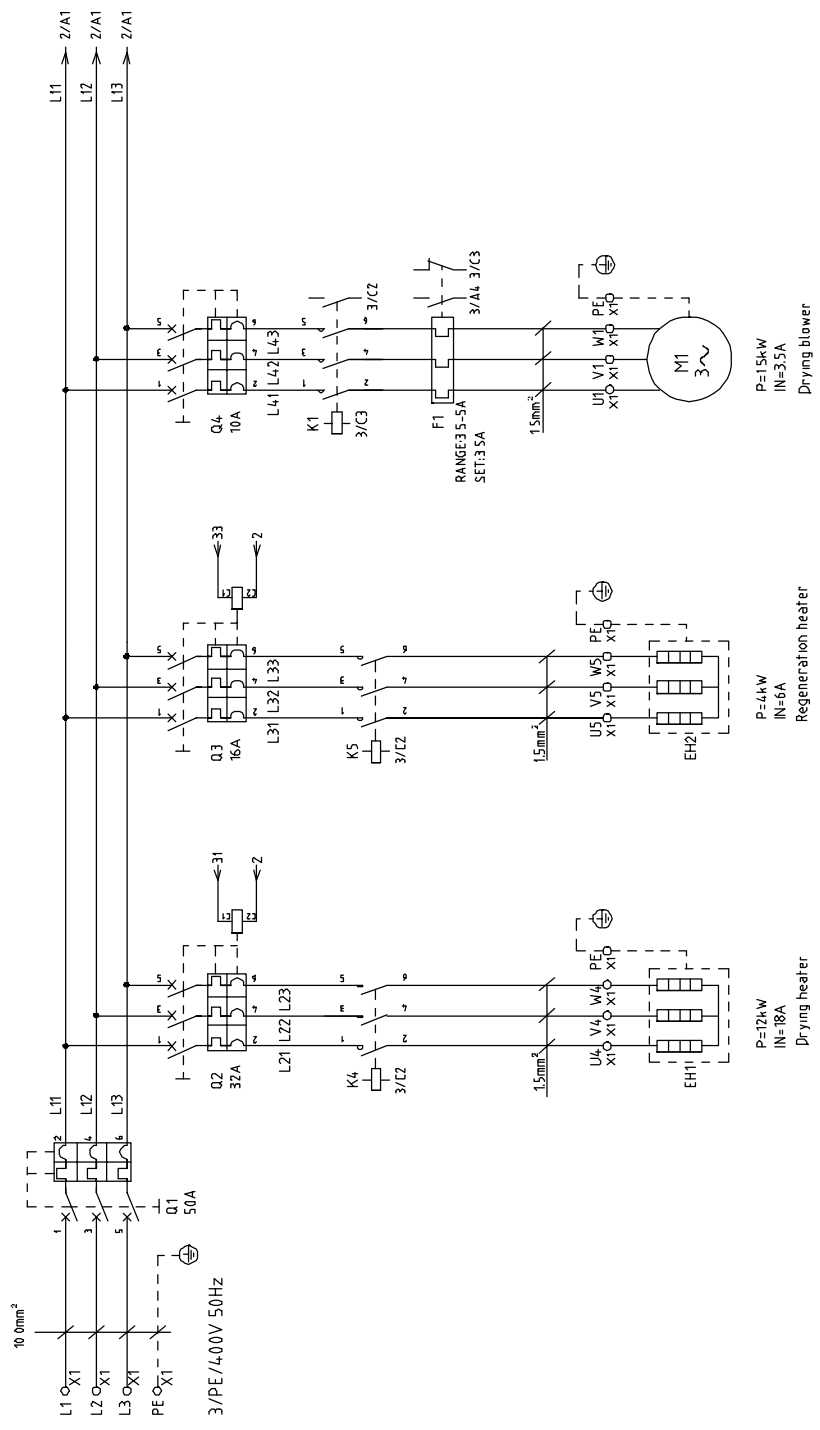
1	2	3	4	5	6	7	8	
NO	Symbol	Name	Manufacturer	Type	Specification	Number	Material number	Remark
1	Q1	Main power switch	EATON	P1-25/EA/SVB	25A	1	YE10125250000	
2	Q2	Circuit-breaker	TECO	BM-63C 3P	16A	1	YE40301603000	
3	Q3 Q6	Circuit-breaker	TECO	BM-63C 3P	10A	2	YE40301003000	A
4		Excitation release	TECO	MX	220V 50/60Hz	2	YE40023560000	
5	Q4 Q5	Circuit-breaker	TECO	BM-63C 3P	6A	3	YE40300603000	
6	K1 K2 K3	Contact	SIEMENS	3RT6016-1ANZ1	220V 50/60Hz	3	YE00601621000	
7	K4	Contact	SIEMENS	3RT6018-1ANZ1	220V 50/60Hz	1	YE00601801000	
8	K5	Contact	SIEMENS	3RT6017-1ANZ1	220V 50/60Hz	1	YE00601721000	
9	K7 K8	Middle relay	WEDMULLER	DRM270730LT	220V 50/60Hz	2	YE03270700000	
10	F1	Overload relay	SIEMENS	3RU6116-1DB0	2.2-3.2A	1	YE01160220000	
11	F2	Overload relay	SIEMENS	3RU6116-1AB0	1.1-1.6A	1	YE01160100000	B
12	F3	Overload relay	SIEMENS	3RU6116-1FB0	3.5-5A	1	YE01160350000	
13	PCB	Microprocessor control board-display screen	PUMP	K SF878500A D1-01	-----	1	YE80878500000	
14	T	Transformer	BAIYUN	BY-0407009	IN=400V OUT=230V 500mA	1	YE704070300800	
15	U	DC power	MEAN WELL	NES-35-24	OUT=DC24V 15A	1	YE71352400100	
16	FU1	Fuse base	CHINT	RT18-32	2P	1	YE41032200000	
17		Fuse	CHINT	10x38 500V	2A	2	YE46002000100	
18	FU2	Fuse	YINDA	FS-10	2A	1	YE41001000000	
19	S1	Reed switch	FOTEK	FC-12V	24VDC	1	----	(1)
20	S2	Photoelectric switch	FOTEK	T18-3MNB-PE	24VDC	1	----	(1)
21	S3	Dew-point transducer	CS	CS 217-OEM	POWER=24VDC OUT=4-20mA	1	YE90021700100	(1)(2)
22	S4	Micro switch	TEND	----	----	1	----	(1)
23	S5 S6	Temperature protector	EGO	WR-A-50-300-2500-3	250V 5(A)	2	----	(1)
24	S7,S8,S9	Thermocouple	SHINI	ST-K	K	3	----	(1)
25	Y1,Y2,Y3,Y5	Solenoid valve	FESTO	MSF-W-230-50/60	230V 50/60Hz	4	----	(1)
整机版本 Ver D Notes: (1)Means it's not the material inside the control box. (2)Stands for optional.								
				Drawing NO. SCD-230U/120H Title SCD-230U/120H Electrical Components List 1		Scale Standard CE		Page 5 Totaly 6 Pages
				Approved by Date 20170821		Voltage Frequency		400V 50HZ
				Modified by Modify date		SHINI 信昌塑料机械股份有限公司 Shini Plastics Technologies, Inc.		8

1	2	3	4	5	6	7	8	
NO	Symbol	Name	Manufacturer	Type	Specification	Number	Material number	Remark
26	Y4	Solenoid valve	FESTO	MSFW-230-50/60	230V 50/60Hz	1	----	(1)(2)
27	H1	Buzzer	SHINI	PK-35A	230V 50/60Hz	1	YE64003500200	(1)
28	H2	Alarm indicator	SHINI	LED-3051	230V 50/60Hz	1	YE63305100200	(1)
29	X1	Terminal board	HONEYWELL	4mm ²	4-1A 690V	18	YE60000403200	A
30				4mm ² PE	-	6	YE60000403500	
31			HONEYWELL	2.5mm ²	32A 690V	16	YE60002503700	
32				2.5mm ² PE	-	5	YE60002503400	
33				2.5mm ²	32A 690V	4	YE60002503700	(2)
34				2.5mm ² PE	-	1	YE60002503400	(2)
35	X2	Terminal board	----	Spring terminals SK2.5-TL	10A 250V	2	YE60002503600	B
36				Spring terminals SK2.5-TL	10A 250V	1	YE60002503600	(2)
37				SK-2.5TL端子板	10A 250V	1	YE60001003600	
38	X3	Terminal board	HONEYWELL	2.5mm ²	32A 690V	5	YE60002503700	
39				2.5mm ² PE	-	1	YE60002503400	
40	X4_X5	Heavy duty connector	SIBAS	HDC-HA-004.1	4P 10A	2	YE68041000100	(1)
41	FM	Fan	SUNON	DP-200A	230VAC 4.0W	1	YM60121200400	(1)
42	M1	Blower	SHINI	-----	4.00V 0.75kW	1	-----	(1)
43	M2	Blower	SHINI	-----	4.00V 0.4kW	1	-----	(1)
44	M3	Blower	SHINI	-----	4.00V 1.5kW	1	-----	(1)
45	M4	Motor	----	-----	230V 0.015kW	1	-----	(1)
46	EH1	Heater	SHINI	-----	4.00V 6kW	1	-----	(1)
47	EH2	Heater	SHINI	-----	4.00V 3kW	1	-----	(1)
48	EH2	Heater	SHINI	-----	4.00V 4kW	1	-----	(1)
49	S10	Communication interface board (double Dsub-9pin connector)	--	--	--	1	YE90048501200	(1)
50		Shell RS485(SAL-700G-A-1910)	--	--	--	1	YR40048500000	(1)

整机版本 Ver. D Notes: (1)Means it's not the material inside the control box (2)Stands for optional

Title		Drawing NO.	
SCD-230U/20H		SCD-230U/20H-PUMP-EE-400V-F-6	
Electrical Components List 2		CE	
Scale	Standard	Scale	Standard
Voltage		Frequency	
400V		50HZ	
Page	Totally	Page	Totally
6	6	6	6

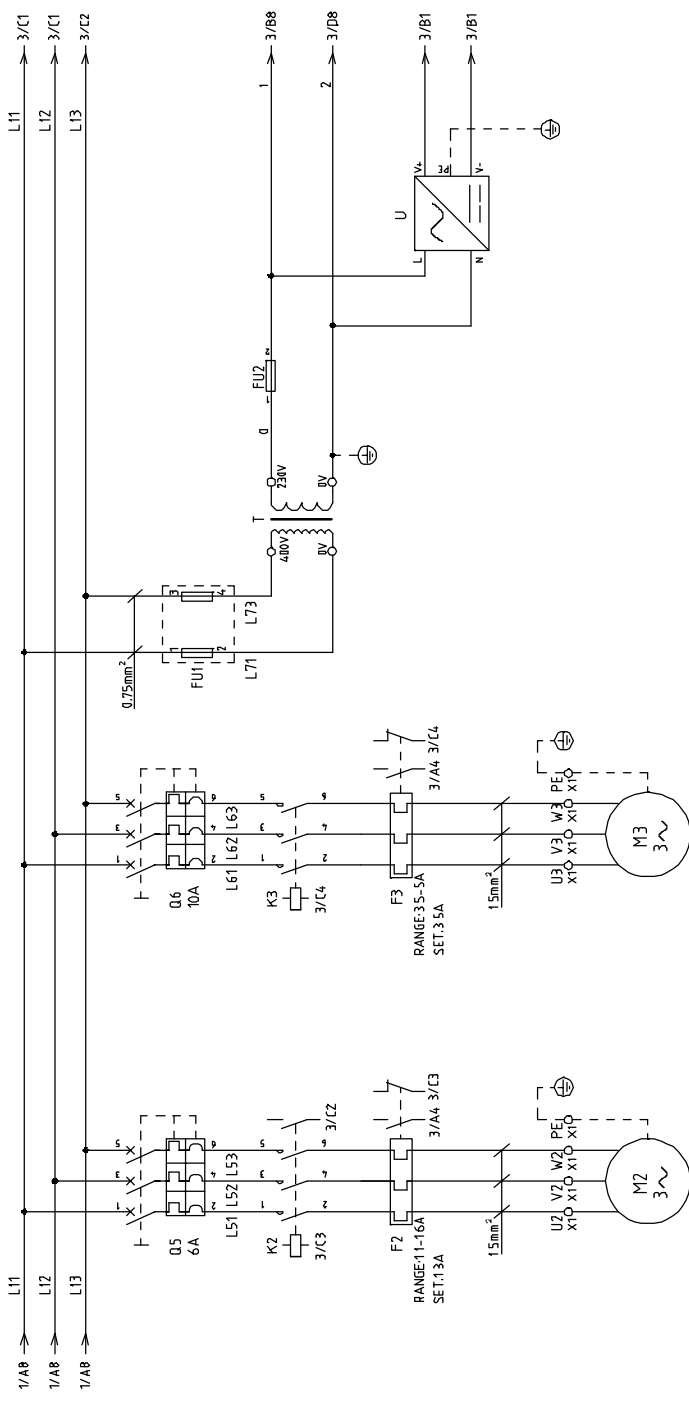




Note: Regeneration heater changed to 6kW when it is 60Hz

1	2	3	4	5	6	7	8
整机版本 Ver.D		Drawing No. SCD-300U(450U)/200H Main Circuit Diagram 1	Title SCD-300U(450U)/200H Main Circuit Diagram 1	Scale 1:1 Standard CE	Page 1 Totaly 6	Voltage 400V Frequency 50Hz	8
Mark Before modification	After modification	Modified by	Date 2017.06.20	Designer	Approved by	Checked by	Date
1	2	3	4	5	6	7	8





P=1.5kW
IN=3.5A
Suction blower

P=0.4kW
IN=1.3A
Regeneration blower

蓋机版本 Ver.D

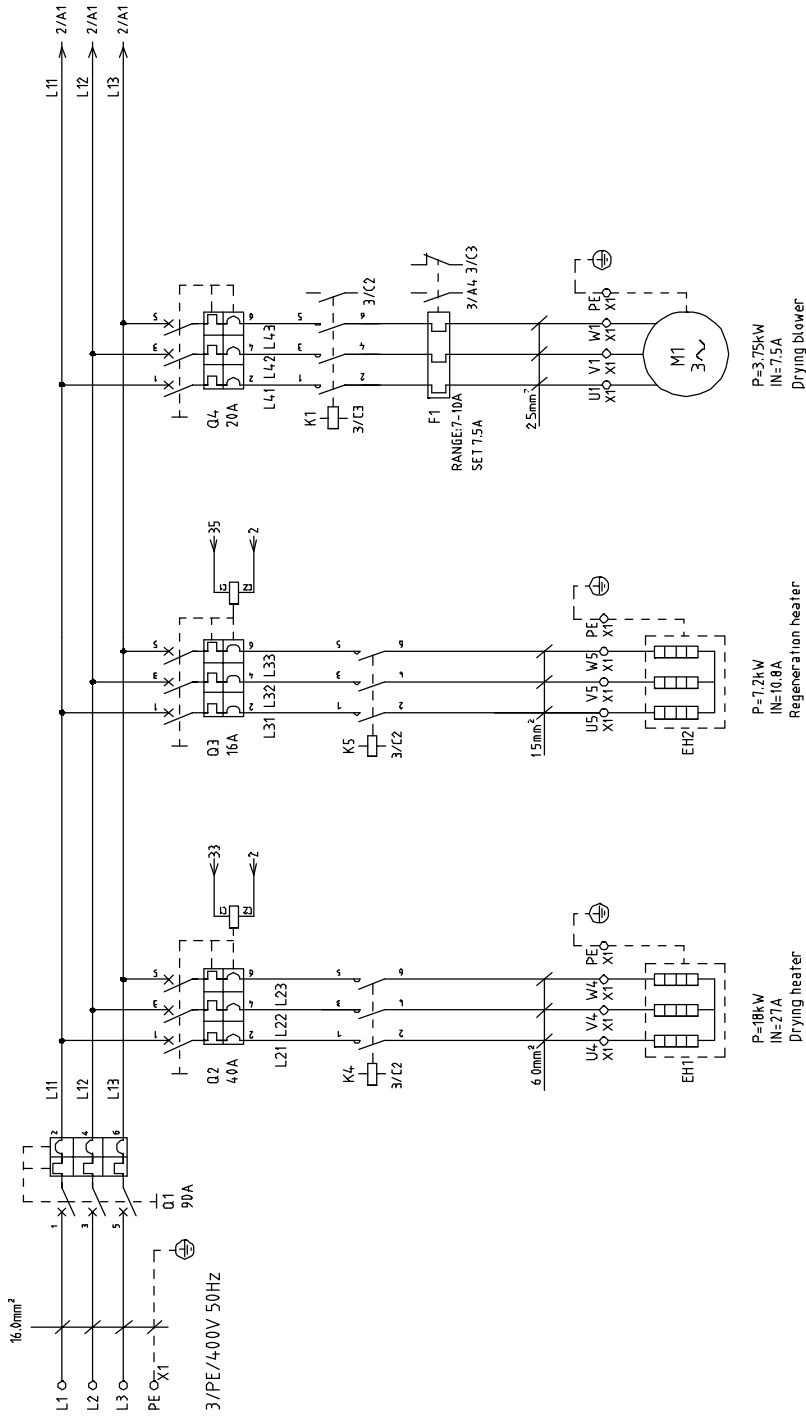
Mark	Before modification	Modified by	Modify date	Checked by	Approved by	Version	G	Drawing No.	Scale	Page	
								SCD-300U(450U)/200H	Standard	2	
								Main Circuit Diagram 2		Totally	6
								SCD-300U(450U)/200H-PUMP-CE-400V-G-2		CE	Pages
										Voltage	400V
										Frequency	50HZ



1	2	3	4	5	6	7	8	
N0	Symbol	Name	Manufacturer	Type	Specification	Number	Material number	Remark
1	Q1	Breaker interlock	ABB	A1A125TME50	50A	1	YE4-110S200000	
2	Q2	Circuit-breaker	TECO	BM-63C 3P	32A	1	YE4-0303203000	
3	Q3	Circuit-breaker	TECO	BM-63C 3P	16A	1	YE4-0301603000	A
4		Excitation release	TECO	MX	220V 50/60HZ	2	YE4-0023560000	
5	Q4 Q6	Circuit-breaker	TECO	BM-63C 3P	10A	2	YE4-0301003000	
6	Q5	Circuit-breaker	TECO	BM-63C 3P	6A	1	YE4-030603000	
7	K1 K2 K3	Contact	SIEMENS	3RT6016-1AN21	220V 50/60HZ	3	YE00601621000	
8	K4	Contact	SIEMENS	3RT6027-1ANZ0	220V 50/60HZ	1	YE00602722000	
9	K5	Contact	SIEMENS	3RT6018-1AN21	220V 50/60HZ	1	YE00601800000	
10	K7 K8	Middle relay	WEIDMULLER	DRM270730LT	220V 50/60HZ	2	YE03270700000	
11	F1 F3	Overload relay	SIEMENS	3RU6116-1FB0	3.5-5A	2	YE01160350000	B
12	F2	Overload relay	SIEMENS	3RU6116-1AB0	11-16A	1	YE01160110000	
13	PCB	Microprocessor control board-display screen	PUMP	K SF878500A 01-01	-----	1	YE80878500000	
14	T	Transformer	BAIYUN	BY-0407009	IN=400V OUT=230V 500mA	1	YE704-07300800	
15	U	DC power	MEAN WELL	NES-35-24	OUT=DC24V 15A	1	YE71352400100	
16	FU1	Fuse base	CHINT	RT18-32	2P	1	YE4-1032200000	
17	FU2	Fuse	CHINT	10x38 500V	2A	2	YE46002000100	
18	FU2	Fuse	YINDA	FS-10	2A	1	YE4-10010000000	
19	S1	Reed switch	FOTEK	FC-12V	24VDC	1	----	(1)
20	S2	Photoelectric switch	FOTEK	T18-3MNB-PE	24VDC	1	----	(1)
21	S3	Dew-point transducer	CS	CS 217-OEM	POWER=24VDC OUT=4-20mA	1	YE90021700100	(1)(2)
22	S4	Micro switch	TEND	----	----	1	----	(1)
23	S5 S6	Temperature protector	EGO	WR-A-50-300-2500-3	250V 5(A)	2	----	(1)
24	S7,S8,S9	Thermocouple	SHINI	ST-K	K	3	----	(1)
25	Y1,Y2	Solenoid valve	FESTO	MSFW-230I-50/60	230V 50/60HZ	2	----	(1)
整機版本 Ver D Notes: (1)Means it's not the material inside the control box. (2)Stands for optional.								
			Drawer	Version	Drawing NO.		Scale	Page
			Designer	G	SCD-300U(450U)/200H		Standard	5
			Proofread by	Approved by	Electrical Components List 1		CE	Totally 6
			Checked by	Date			Voltage	Pages
			Modify date	20170620			Frequency	4,00V
			Modified by					50HZ
			Before modification					8



1	2	3	4	5	6	7	8	
NO	Symbol	Name	Manufacturer	Type	Specification	Number	Material number	Remark
26	H1	Buzzer	SHINI	PK-35A	220V 50/60Hz	1	YE84.003500200	(1)
27	H2	Alarm indicator	SHINI	LED-3051	230V 50/60Hz	1	YE8305100200	(1)
28	X1	Terminal board	HONEYWELL	10mm ²	58A 690V	3	YE60001003200	A
29				10mm ² PE	-	1	YE60001003500	
30			HONEYWELL	4mm ²	41A 690V	15	YE60000403200	
31				4mm ² PE	-	5	YE60000403500	
32			HONEYWELL	2.5mm ²	32A 690V	14	YE60002503200	
33				2.5mm ² PE	-	4	YE60002503400	
34				2.5mm ²	32A 690V	6	YE60002503200	(2)
35				2.5mm ² PE	-	2	YE60002503400	(2)
36	X2	Terminal board	----	Spring terminals SK2.5-TL	10A 250V	3	YE60002503600	B
37				FBSTB 10-ZBIK RD	10A 250V	3	YE60001000200	
38				SK-2 5TL 桥接件	10A 250V	3	YE60001003600	
39	X3	Terminal board	HONEYWELL	2.5mm ²	32A 690V	5	YE60002503200	
40				2.5mm ² PE	-	1	YE60002503400	
41	X4, X5, X6	Heavy duty connector	SIBAS	HDC-HA-004.1	4P 10A	3	YE6804.1000100	(1)
42	FM	Fan	SUNON	DP-200A	230VAC 4.0W	1	YM601Z1200400	(1)
43	M1	Blower	SHINI	-----	400V 1.5kW	1	-----	(1)
44	M2	Blower	SHINI	-----	400V 0.4kW	1	-----	(1)
45	M3	Blower	SHINI	-----	400V 1.5kW	1	-----	(1)
46	M4	Motor	-----	-----	230V 0.075kW	1	-----	(1)
47	EH1	Heater	SHINI	-----	400V 12kW	1	-----	(1)
48	EH2	Heater	SHINI	-----	400V 4kW	1	-----	(1)
49	S10	Communication interface board (double D sub-9pin connector)	--	--	--	1	YE90048501200	(1)
50		Shell RS485(SAL-700G-A-1910)	--	--	--	1	YR40048500000	(1)
整机版本 Ver.D Notes (1)Means it's not the material inside the control box (2)Stands for optional								
			Drawer	Version	Title		Scale	Page
			Designer	Approved by	SCD-300U(450U)/200H Electrical Components List 2		Standard	6
			Proofread by	Date	SCD-300U(450U)/200H-PUNP-CE-400V-G-		CE	Totally 6
			Checked by	20170620			Voltage	400V
			Modify date				Frequency	50HZ
			After modification					
			Before modification					
SHINI 怡昇理熱機噐股份有限公司 SHINI Shini Plastics Technologies, Inc.								
								8



基本版本 Ver.C

Mark	Before modification	After modification	Modified by	Modify date	Checked by	Drawn by	Version	E	Title	Drawing No.		Scale	Page 1
							Approved by		SCD-600U(750U)/400H Main Circuit Diagram 1	SCD-600U(750U)/400H-PUMP-CE-400V-E-1		Standard	Totally 7
							Date	20170620				CE	Pages
													400V
													50HZ



P=3.75kW
IN=7.5A
Drying blower

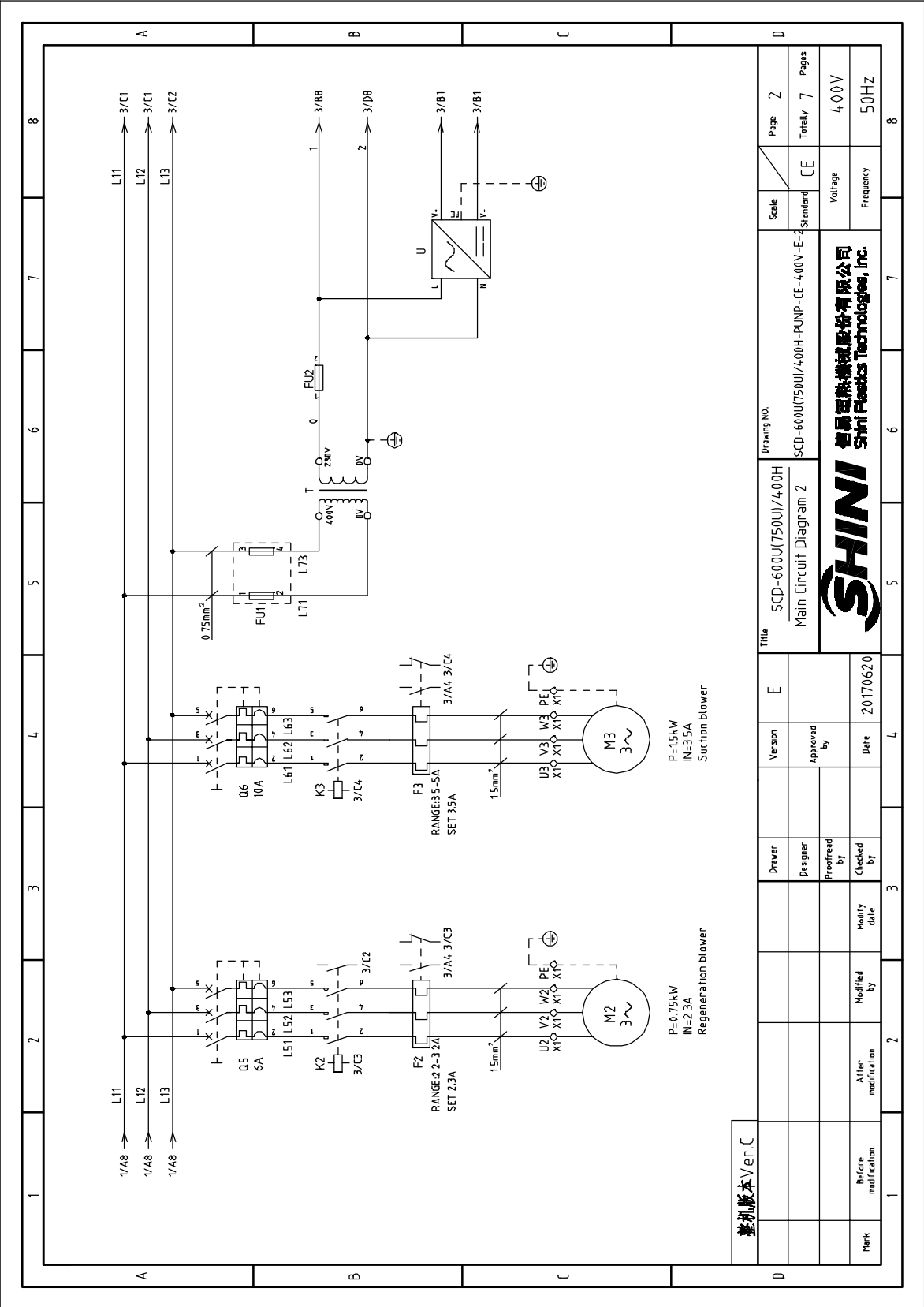
P=7.2kW
IN=10.8A
Regeneration heater

P=18kW
IN=27A
Drying heater

1 2 3 4 5 6 7 8

A B C D

8 7 6 5 4 3 2 1



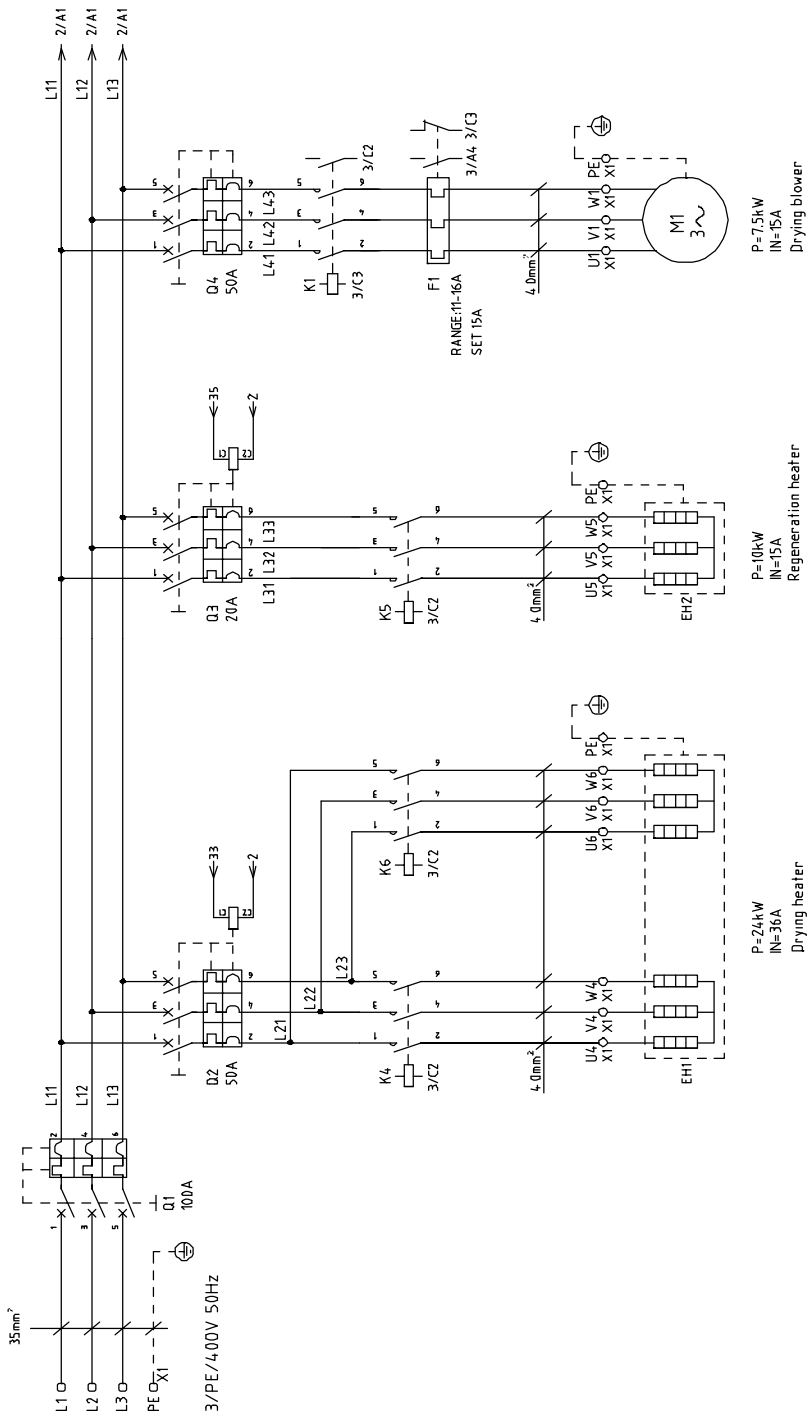
整機版本 Ver.C

Mark	Before modification	Modified by	Modify date	Checked by	Approved by	Version	E	Title	SCD-600U(750U)/400H Main Circuit Diagram 2	Drawing NO.	SCD-600U(750U)/400H-PUNP-CE-400V-E-2	Scale	Standard	Page	2
														Totally	7
														Frequency	50HZ
														Voltage	400V



1	2	3	4	5	6	7	8	
NO	Symbol	Name	Manufacturer	Type	Specification	Number	Material number	Remark
26	S7,S8,S9	Thermocouple	SHINI	ST-K	K	3	----	(1)
27	Y1,Y2	Solenoid valve	FESTO	MSFW-230-50/60	230V 50/60Hz	2	----	(1)
28	H1	Buzzer	SHINI	PK-35A	220V 50/60Hz	1	YE84-0035A0200	(1)
29	H2	Alarm indicator	SHINI	LED-3051	230V 50/60Hz	1	YE83305100200	(1)
30	X1	Terminal board	----	16mm ² PE	-	1	YE60001603200	
31				6mm ²	41A 690V	3	YE60000603200	
32				6mm ² PE	-	1	YE60000603500	
33				4mm ²	32A 690V	12	YE60000403200	
34				4mm ² PE	-	4	YE60000403500	
35				2.5mm ²	32A 690V	14	YE60002503200	
36				2.5mm ²	24A 690V	6	YE60002503200	(2)
37				2.5mm ² PE	-	4	YE60002503400	
38				2.5mm ² PE	-	2	YE60002503400	(2)
39	X2	Terminal board	----	Spring terminals SK2.5-TL	10A 250V	3	YE60002503600	
40				FBSTB 10-ZDIK RD	10A 250V	3	YE60001000200	
41				SK-2 5TL 附件	10A 250V	3	YE60001003600	
42	X3	Terminal board	HONEYWELL	2.5mm ²	32A 690V	5	YE60002503200	
43				2.5mm ² PE	-	1	YE60002503400	
44	X4	Heavy duty connector	SIBAS	HDC-HA-094.1	4P 10A	3	YE68041000100	(1)
45	X5	Heavy duty connector	SIBAS	HDC-HA-094.1	4P 10A	3	YE68041000100	(1)
46	X6	Heavy duty connector	SIBAS	HDC-HA-094.1	4P 10A	3	YE68041000100	(1)
47	F1	Fan	SUNON	DP-200A	230VAC 40W	1	YM60121200400	(1)
48	M1	Blower	SHINI	-----	400V 3.75kW	1	-----	(1)
49	M2	Blower	SHINI	-----	400V 0.75kW	1	-----	(1)
50	M3	Blower	SHINI	-----	400V 15kW	1	-----	(1)
整机版本 Ver. C Notes: (1)Means it's not the material inside the control box. (2)Stands for optional.								
			Drawer	Version	Title		Scale	Page
			Designer	Approved by	SCD-600U(750U)/400H		Standard	6
			Proofread by		Electrical Components List 2		CE	Totally 7
			Checked by	Date			Voltage	Pages
			Modify date	20170620			Frequency	400V
			Modified by					50HZ
			After modification					8

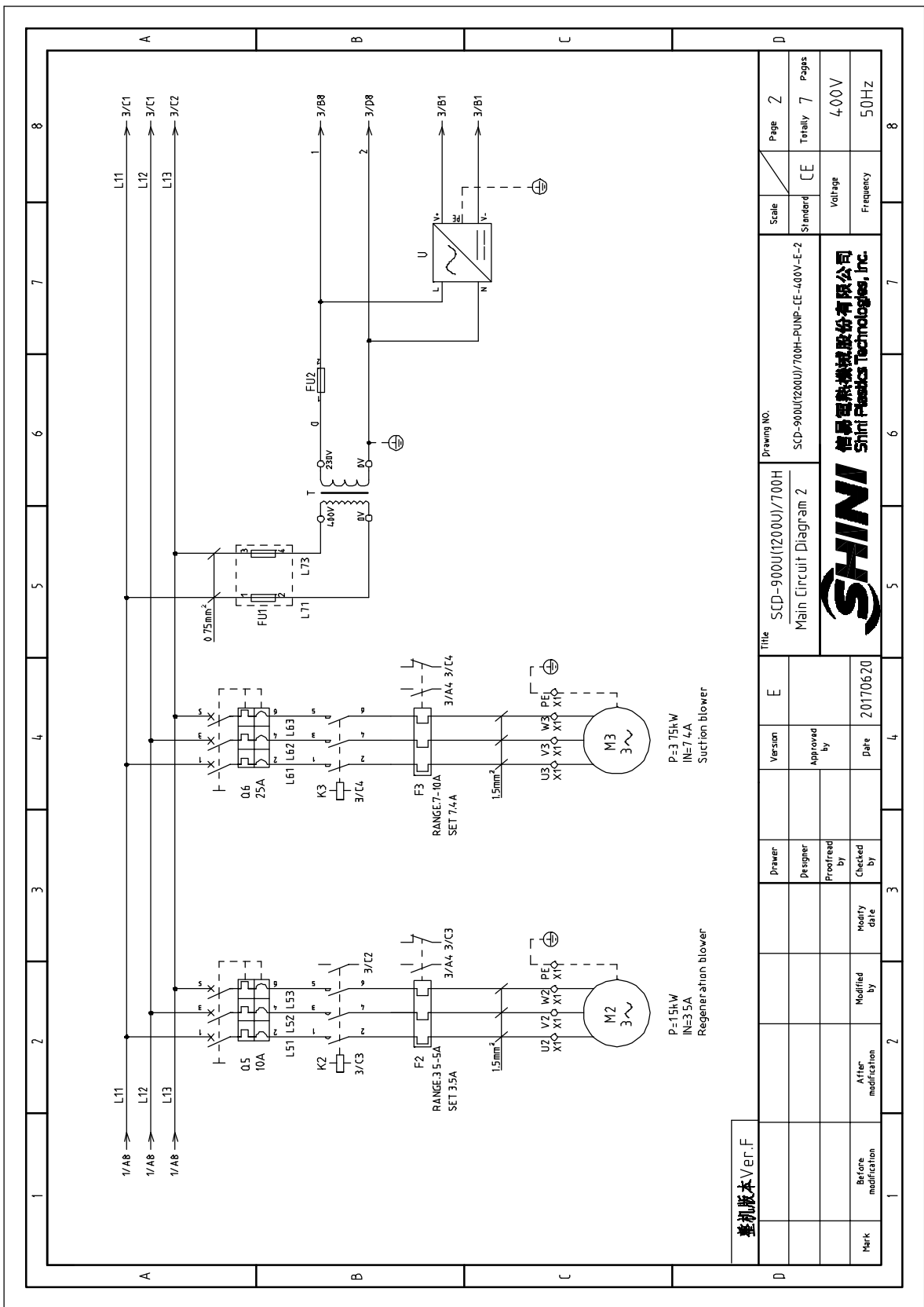




整机版本 Ver.F

Mark	Before modification	Modified by	Modify date	Checked by	Version	E	Approved by	Date	20170620
Designer	Prepared by	Checked by	Version	Approved by					
Drawer	Designer	Prepared by	Version	Approved by					
Title			SCD-900U(1200U)/700H		Drawing NO.		SCD-900U(1200U)/700H-PUMP-CE-4.00V-E-1		
Main Circuit Diagram 1			Scale		Standards		CE		
Page 1			Scale		Standards		CE		
Totally 7			Voltage		Frequency		4.00V 50HZ		





最新版本 Ver.F

Mark	Before modification	After modification	Modified by	Modify date	Checked by	Designed by	Drawer	Version	E	Title	SCD-900U(1200U)/700H Main Circuit Diagram 2	Drawing NO.	SCD-900U(1200U)/700H-PUMP-CE-400V-E-2	Scale	Standard	CE	Page	2
Mark	Before modification	After modification	Modified by	Modify date	Checked by	Designed by	Drawer	Version	E	Title	SCD-900U(1200U)/700H-PUMP-CE-400V-E-2	Drawing NO.	SCD-900U(1200U)/700H-PUMP-CE-400V-E-2	Scale	Standard	CE	Totally	7
Mark	Before modification	After modification	Modified by	Modify date	Checked by	Designed by	Drawer	Version	E	Title	SCD-900U(1200U)/700H-PUMP-CE-400V-E-2	Drawing NO.	SCD-900U(1200U)/700H-PUMP-CE-400V-E-2	Scale	Standard	CE	Voltsage	400V
Mark	Before modification	After modification	Modified by	Modify date	Checked by	Designed by	Drawer	Version	E	Title	SCD-900U(1200U)/700H-PUMP-CE-400V-E-2	Drawing NO.	SCD-900U(1200U)/700H-PUMP-CE-400V-E-2	Scale	Standard	CE	Frequency	50HZ

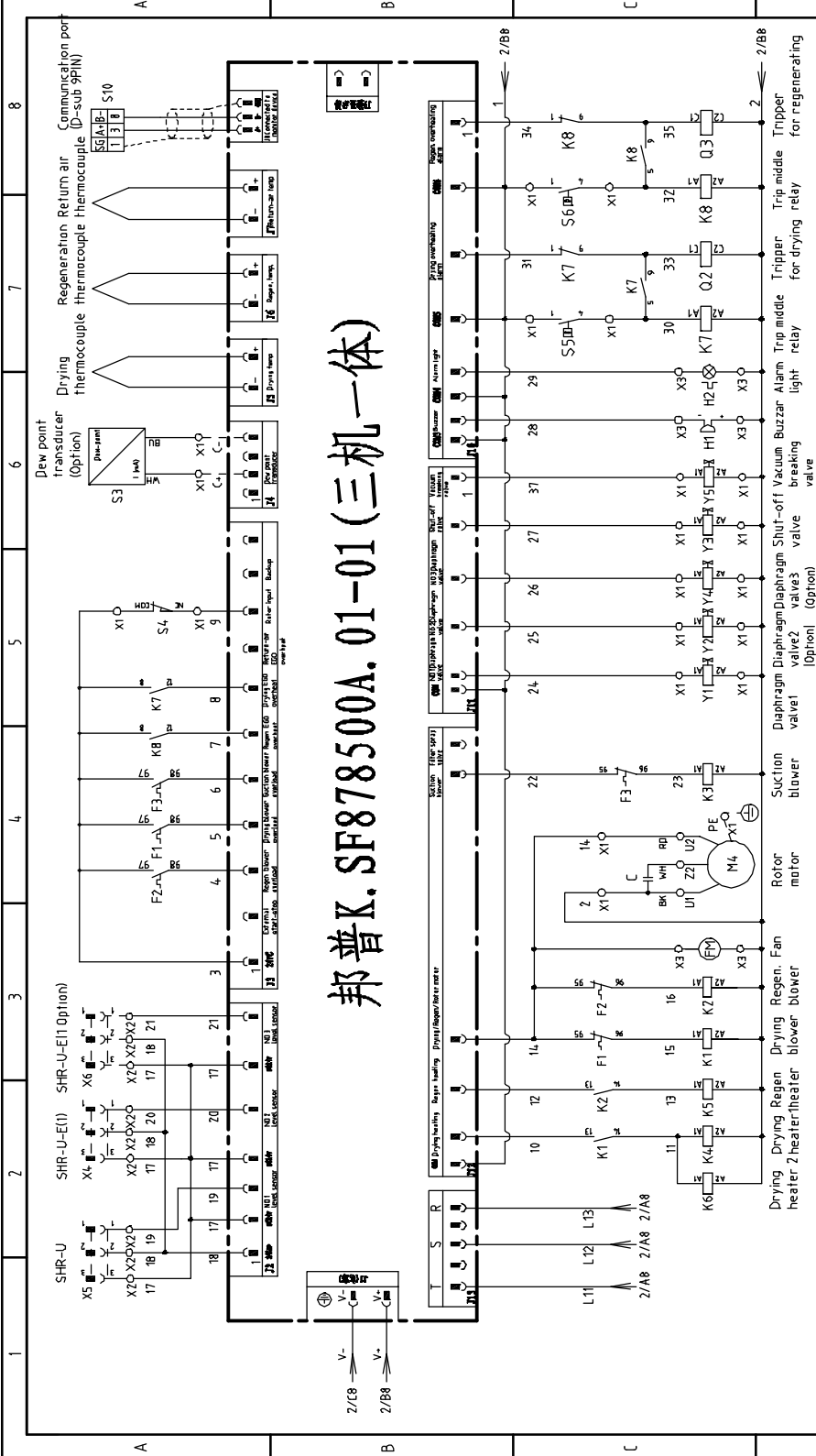


20170620

P=1.5kW
IN=3.5A
Regeneration blower

P=3.75kW
IN=7.4A
Suction blower

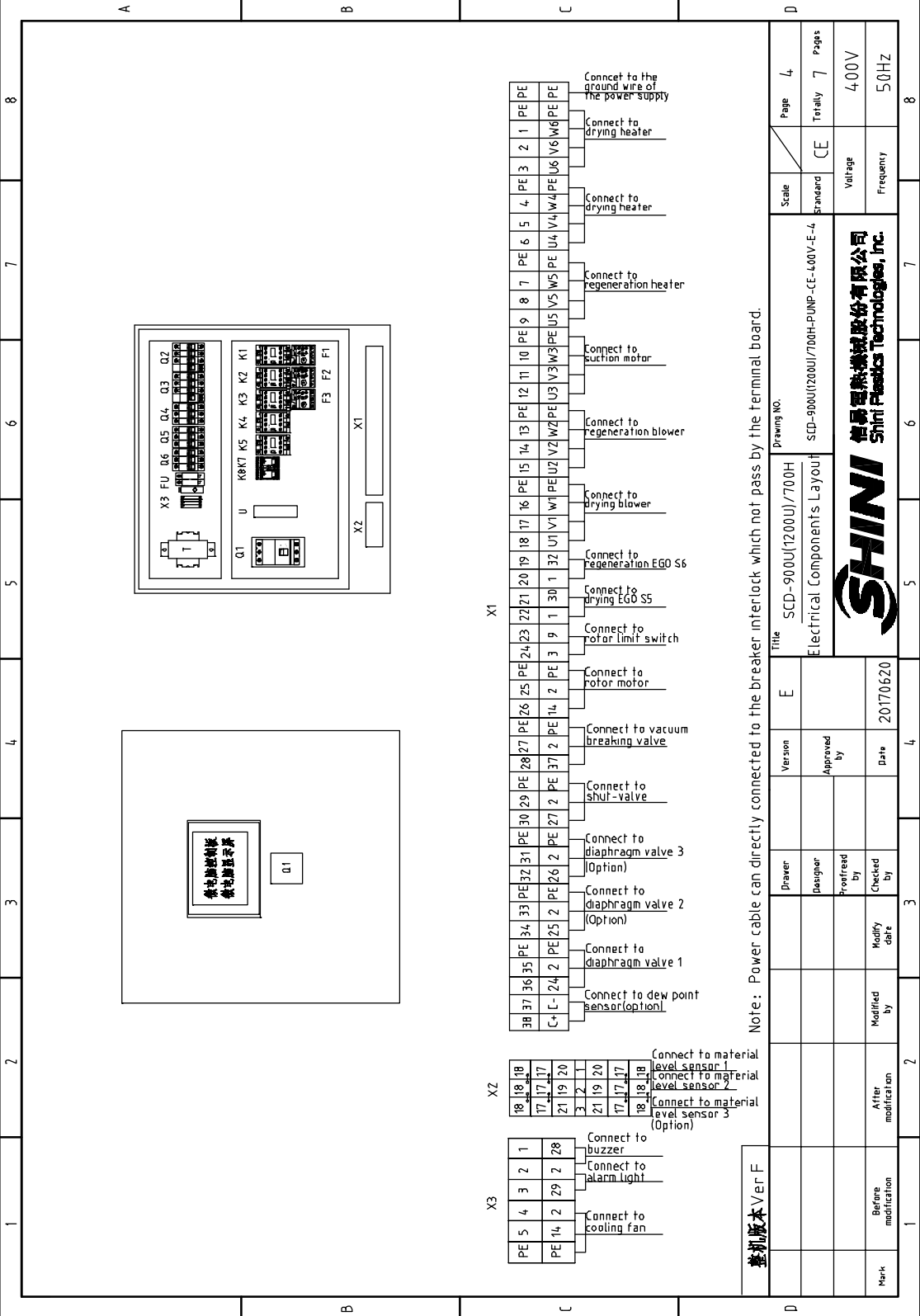
20170620



邦普K.SF878500A.01-01 (三机一体)

整机版本 Ver.F

D	E	F	G	H	I	J	K
Title		Drawing No.		Scale		Page	
SCD-900U(1200U)/700H		SCD-900U(1200U)/700H-PUMP-CE-40KV-E-3		Standard		CE	
Control Circuit Diagram				Voltage		400V	
				Frequency		50HZ	
Designer		Approved by		Totaly		7	
Checked by		Date		Pages		8	
Modify date		20170620		Tripper for regenerating			
After modification				Trip middle			
Before modification				Trip middle			
				Tripper for drying			



Terminal	Quantity	Description
PE 1	1	Connect to the ground wire of the power supply
PE 2	1	Connect to drying heater
PE 3	2	Connect to drying heater
PE 4	4	Connect to drying heater
PE 5	4	Connect to drying heater
PE 6	5	Connect to drying heater
PE 7	7	Connect to regeneration heater
PE 8	8	Connect to regeneration heater
PE 9	10	Connect to suction motor
PE 10	10	Connect to suction motor
PE 11	10	Connect to suction motor
PE 12	11	Connect to suction motor
PE 13	13	Connect to suction motor
PE 14	14	Connect to suction motor
PE 15	15	Connect to suction motor
PE 16	17	Connect to suction motor
PE 17	18	Connect to suction motor
PE 18	19	Connect to suction motor
PE 19	20	Connect to suction motor
PE 20	21	Connect to suction motor
PE 21	22	Connect to suction motor
PE 22	23	Connect to suction motor
PE 23	24	Connect to suction motor
PE 24	25	Connect to suction motor
PE 25	26	Connect to suction motor
PE 26	27	Connect to suction motor
PE 27	28	Connect to suction motor
PE 28	29	Connect to suction motor
PE 29	30	Connect to suction motor
PE 30	31	Connect to suction motor
PE 31	32	Connect to suction motor
PE 32	33	Connect to suction motor
PE 33	34	Connect to suction motor
PE 34	35	Connect to suction motor
PE 35	36	Connect to suction motor
PE 36	37	Connect to suction motor
PE 37	38	Connect to suction motor
PE 38	39	Connect to suction motor

Title		Drawing No.		Page	Total
SCD-900U(1200U)/700H		SCD-900U(1200U)/700H-PUMP-CE-400V-E-4		4	7
Electrical Components Layout		Standard	CE	Voltage	Frequency
				400V	50HZ

Version	Approved by	Date
E		20170620

Drawer	Designer	Checked by	Modified by

After modification	Before modification


整版版本 Ver.F

Note: Power cable can directly connected to the breaker interlock which not pass by the terminal board.



1	2	3	4	5	6	7	8	
NO	Symbol	Name	Manufacturer	Type	Specification	Number	Material number	Remark
26	S7, S8, S9	Thermocouple	SHINI	ST-K	K	3	----	
27	Y1, Y2	Solenoid valve	FESTO	MSPW-230-50/60	230V 50/60Hz	2	----	(1)
28	H1	Buzzer	SHINI	PK-35A	220V 50/60Hz	1	YE84-003500200	(1)
29	H2	Alarm indicator	SHINI	LED-3051	230V 50/60Hz	1	YE8305100200	(1)
30	X1	Terminal board	----	35mm ² PE	-	1	YE60003503200	
31				4mm ²	41A 690V	18	YE6000403200	
32				4mm ² PE	-	6	YE6000403500	
33				2.5mm ²	-	14	YE60002503200	
34				2.5mm ²	32A 690V	6	YE60002503200	(2)
35				2.5mm ² PE	-	4	YE60002503400	
36				2.5mm ² PE	-	2	YE60002503400	(2)
37	X2	Terminal board	----	Spring Terminals SK2 5-TL	10A 250V	3	YE60002503600	
38				FBSTB 10-ZDK RD	10A 250V	3	YE60001000200	
39				SK-2.5TL 拆零件	10A 250V	3	YE60001003600	
40	X3	Terminal board	----	2.5mm ²	-	5	YE60002503200	
41				2.5mm ² PE	-	1	YE60002503400	
42	X4	Heavy duty connector	SIBAS	HDC-HA-004.1	4P 10A	3	YE68041000100	(1)
43	X5	Heavy duty connector	SIBAS	HDC-HA-004.1	4P 10A	3	YE68041000100	(1)
44	X6	Heavy duty connector	SIBAS	HDC-HA-004.1	4P 10A	3	YE68041000100	(1)
45	FM	Fan	SUNON	DP-200A	230V AC 4.0W	1	YM60121004.00	(1)
46	M1	Blower	SHINI	-----	400V 7.5kW	1	-----	(1)
47	M2	Blower	SHINI	-----	400V 15kW	1	-----	(1)
48	M3	Blower	SHINI	-----	400V 3.75kW	1	-----	(1)
49	M4	Motor	----	-----	230V 0.015kW	1	-----	(1)
50	EH1	Heater	SHINI	-----	400V 24kW	1	-----	(1)
整机版本 Ver.F Notes: (1)Means it's not the material inside the control box (2)Stands for optional								
			Drawer	Version	Title	Drawing NO.	Scale	Page
			Designer	Approved by	SCD-900U(1200U)/700H	SCD-900U(1200U)/700H-PUMP-CE-400V-E-6	Standard	6
			Proofread by	Date	Electrical Components List 2		Voltage	7
			Checked by	20170620			Frequency	8
			Modify date				CE	Totally
Mark			Before modification	Modified by	Date			400V
								50HZ



1	2	3	4	5	6	7	8			
No	Symbol	Name	Manufacturer	Type	Specification	Number	Material number	Remark		
51	EH2	Heater	SHINI	-----	4.00V 10kW	1	-----	(1)		
52	S10	Communication interface board RS-485 (double Dsub-9pin connector)	--	--	--	1	YE90048501200	(1)		
53		Shell RS485(SAL-700G-A-191D)	--	--	--	1	YR40048500000	(1)		
A										
B										
C										
D										
整机版本 Ver.F Notes: (1)Means it's not the material inside the control box (2)Stands for optional										
			Drawer	Version	Drawing NO.		Scale	Page		
			Designer	E	SCD-900U(1200U)/700H		Standard	7		
			Proofread by	Approved by	Electrical Components List 3		CE	Totally 7		
			Checked by	Date	SCD-900U(1200U)/700H-PUMP-CE-4.00V-E-6		Voltage	4.00V		
			Modify date	20170620			Frequency	50HZ		
 SHINI 信昌理热机械股份有限公司 Shini Plasstics Technologies, Inc.								8		
Mark	Before modification	After modification	Modified by	2	3	4	5	6	7	8