

SCI/SC

User Manual

Date: Sep. 2012

Version: V1.2 (English)

Original Instructions



Contents

1. General Description	5
1.1 The Principle of Coding	6
1.1.1 The Coding of SC	6
1.1.2 The Coding of SCI	6
1.2 Features	7
1.3 Technical Specifications	8
1.3.1 SC Specification	8
1.3.2 SCI Specification	9
1.4 Safety	10
1.4.1 Security Recommendations	10
1.4.2 Safety Concerns	10
1.4.3 Transportation and Storage	12
1.5 Exemption Clause	15
2. Working Feature and Operation	16
2.1 Product Explore	16
2.1.1 SC Explosion Figure	16
2.1.2 Parts List (SC)	17
2.1.3 SCI Explosion Figure	21
2.1.4 Parts List (SCI)	22
2.1.5 Stand Explosion Figure	26
2.1.6 Parts List (SC/SCI)	27
2.1.7 Control Box Explosion Figure	31
2.1.8 Parts List (SC/SCI)	32
2.2 Circuit Diagram	36
2.2.1 Main Circuit	36
3. Installation and Adjustment	37
3.1 Adjustment	37
4. Operation	38
4.1 Instruction	38
5. Error Elimination	39

6. Maintenance	40
6.1 Repair	40
6.2 Maintenance	40
EC DECLARATION OF CONFORMITY	43

Table Index

Chart 1-1: SC Speciation	8
Chart 1-2: SCI Specification Sheet.....	9
Table 2-1: Parts List (SC-200W~400W)	17
Table 2-2: Parts List (SC-500W/600W)	19
Table 2-3: Parts List (SCI-200W~400W)	22
Table 2-4: Parts List (SCI-500W/600W)	24
Table 2-5: Parts List (SC-200W~400W)	27
Table 2-6: Parts List (SC-500W/600W)	28
Table 2-7: Parts List (SCI-200W~400W)	29
Table 2-8: Parts List (SCI-500W/600W)	30
Table 2-9: Parts List (SC-200W~400W)	32
Table 2-10: Parts List (SC-500W/600W)	33
Table 2-11: Parts List (SCI-200W~400W)	34
Table 2-12: Parts List (SCI-500W/600W)	35

Figure Index

Picture 1-1: SC Specification	8
Picture 1-2: SCI Specification	9
Picture 1-3: Transportation and Adjustment.....	14
Picture 2-1: SC Explosion View.....	16
Picture 2-2: SCI Explosion View	21
Picture 2-3: Stand Explosion View	26
Picture 2-4: Control Box Explosion View.....	31
Picture 2-5: Main Circuit.....	36
Picture 3-1: Installation and Adjustment.....	37

1. General Description



Please read this manual carefully before using this machine in order to operate correctly against any damage caused due to improper operation.



Forbidden to process flammable or toxic material!

The SCI/SC series belt conveyor is mainly used for the delivery of products. It can effectively enhance the working efficiency, protect the products appearance. It also can communicate with SHINI robots to provide full automation process.



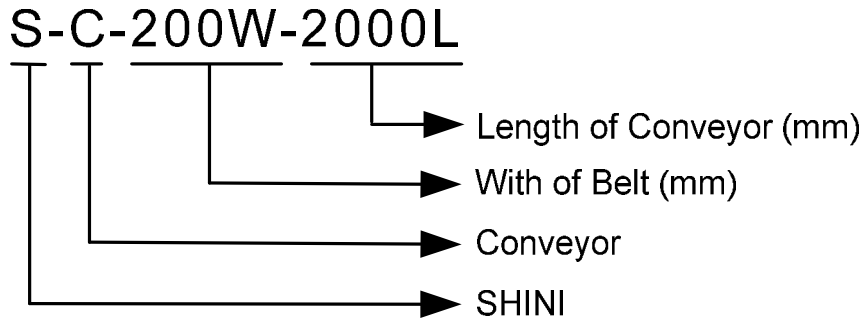
Model: SCI



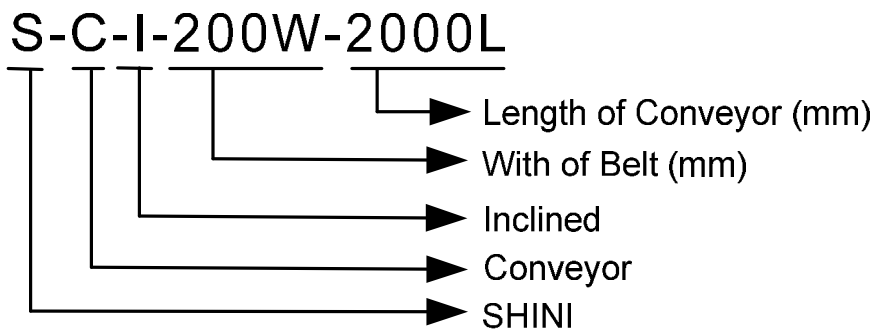
Model: SC

1.1 The Principle of Coding

1.1.1 The Coding of SC



1.1.2 The Coding of SCI



1.2 Features

- 1) Introducing high strength aluminum alloy structure, anodization with sand blast, to present attractive appearance.
- 2) The workbench is made of high quality rubber materials which protects the external appearance of products.
- 3) The heights of two ends can be easily adjusted by using hand wheels.
- 4) The feet adopt universal casters with brake, which makes it fix and move easily.
- 5) The knob speeder can adjust freely, operate easily, convenient to use.
- 6) With automatic and manual switching function, can cooperate with robots or work independently.
- 7) With standard robot-conveyor communication plug, conveniently and quickly connect with robot.

All service work should be carried out by a person with technical training or corresponding professional experience. The manual contains instructions for both handling and servicing. Chapter 6, which contains service instructions intended for service engineers. Other chapters contain instructions for the daily operator.

Any modifications of the machine must be approved by SHINI in order to avoid personal injury and damage to machine. We shall not be liable for any damage caused by unauthorized change of the machine.

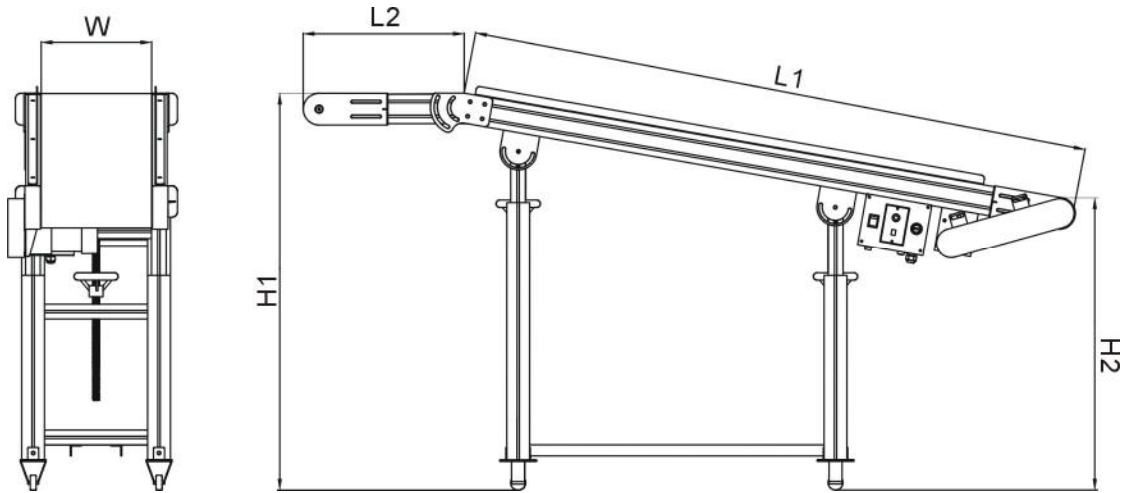
Our company provides excellent after-sales service. Should you have any problem during using the machine, please contact the company or the local vendor.

Headquarter and Taipei factory:

Tel: 0800-000-860

1.3 Technical Specifications

1.3.1 SC Specification



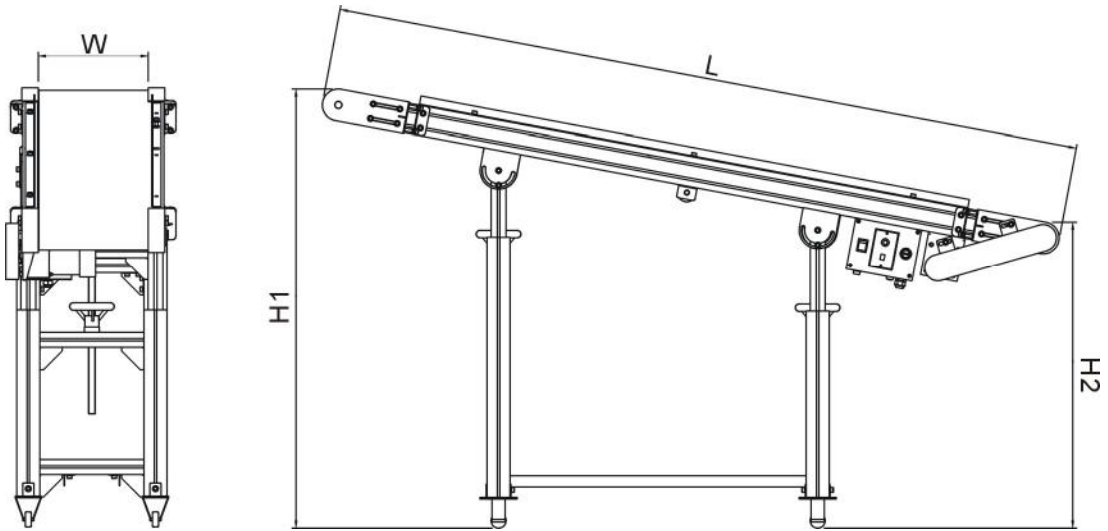
Picture 1-1: SC Specification

Chart 1-1: SC Speciation

Model	SC-200W	SC-300W	SC-400W	SC-500W	SC-600W
Width of Belt W(mm)	200	300	400	500	600
Length of Horizontal Plane L2(mm)	400/600/800				
Total Length L1+L2 (mm)	2000/3000/4000/6000				
Height of Higher End H1(mm)	1000-1600				
Height of Lower End H2 (mm)	700-1000				
Max Loading (kg)	20(Uniform)				
Max Speed (m/min)	12				
Belt Description	Material: PVC / Thickness: 2mm/Color: Green Rating of Temperature:-10℃~+80℃/Static-free, and Wearing, Oil proof				
Power Source	Single phase AC220V±10V 50/60Hz				
Motor Rated Power (w)	60W				

We reserve the right to change specifications without prior notice.

1.3.2 SCI Specification



Picture 1-2: SCI Specification

Chart 1-2: SCI Specification Sheet

Model	SCI-200W	SCI-300W	SCI-400W	SCI-500W	SCI-600W
Width of Belt W(mm)	200	300	400	500	600
Length of Conveyor L(mm)	2000/3000/4000/6000				
Height of Higher End H1(mm)	1000—1600				
Height of Lower End H2(mm)	700—1000				
Max Loading (kg)	20(Uniform)				
Max Speed (m/min)	12				
Belt Description	Material: PVC/Thickness: 2mm/Color: Green Rating of Temperature:-10°C~+80°C/Static-free, and Wearing, Oil proof				
Power Source	AC220V±10V 50/60Hz				
Motor Rated Power(w)	60W				

We reserve the right to change specifications without prior notice.

1.4 Safety

Pay attention to this Safety Recommendations to prevent personnel injuries and machine damages.

When operating conveyor, please follow the safety guide in below.

1.4.1 Security Recommendations

- 1) Ensure the operator, maintenance, and other relate staff read this manual thoroughly.
- 2) Our SCI/SC series conveyor used in conveying withdraws of robot.
- 3) Any modification or change to the original design of conveyor is forbidden.
- 4) Improper operation may result in personnel injuries or equipment damages.
- 5) Any question during using the conveyor, please contact with the manufacturer or local agent.
- 6) Ensure the Installation meets all safety requirements before using.
- 7) Without written consent of the manufacturer, any improper use or modification that is beyond the description of the user manual, the manufacturer will not have any responsibility for consequent damage.

1.4.2 Safety Concerns

- 1) The operation, maintenance, inspection, etc., must be executed by professionally trained personnel.
- 2) The unrelated personnel should keep away from conveyor working area when it is in operation. All electrical wiring must be completed by licensed person according to instructions and country standard.
- 3) Ensure equipments are tightened before installation.
- 4) Press EMERGENCY STOP button immediately when accident occurs.
- 5) Do not modify the conveyor body and control box. Please contact with the manufacturer if any change is required.
- 6) Before maintenance and adjustment, turn off electrical power. Also set up warning plate and safety fences.
- 7) Please use SHINI parts if any replacement is requires.
- 8) Shini conveyor meets all corresponds safety standards.
- 9) Please read the user manual carefully as safety guideline.

- 10) Unauthorized personnel must inform the relative supervisor, and understand all safety rules before entering conveyor working area.
- 11) Please order a new user manual from the manufacturer if it is damaged.
- 12) Convey goods only and its' width can't beyond the belt, the weight distribute equality on belt can't over 20kg.
- 13) The normally working noise is equal or lesser than 70dB.



Note!





Pay special attention to the safety warnings marked



The owner has the responsibility to ensure the operators, maintenance and relative staffs have read this user manual thoroughly.



Any modifications or other applications to conveyor should obtain the written consent from the manufacturer for safety purpose.

No.	Marks	Meaning
1		Do not touch.
2		Caution! Danger!
3		Caution! Electric shock.
4		Caution! Mechanical injury.

5		Caution! High temperature.
6		No flame.

1.4.3 Transportation and Storage



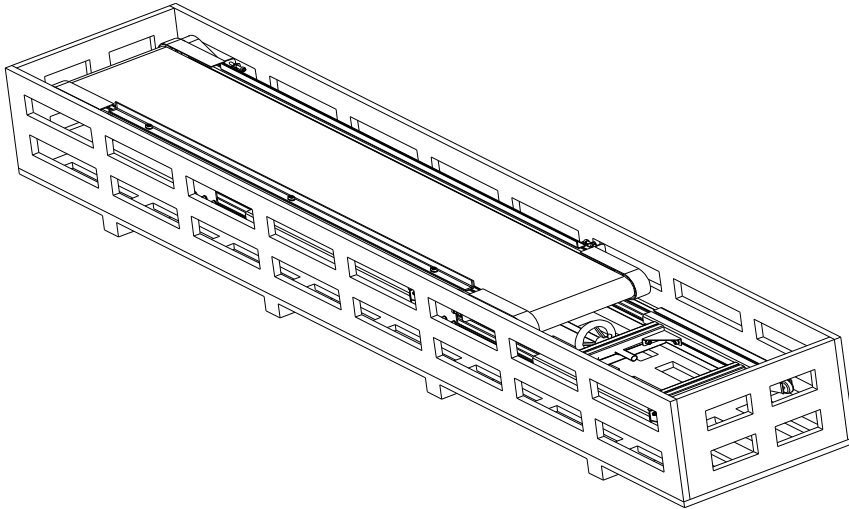
Forbidden person working under the machine during conveying.



If there is compelling reason for moving or reinstalling the conveyor, please inquire for assistance from the manufacturers or agents. If you do not comply with this mandatory requirement, result in any personnel injuries and equipment damages, the manufacturers will not have any responsibility.

Transportation

1. When packaging, the bottom-bar is disassembled and legs are parallel with the belt in order to fit in wooden crate.



2. During the transporting, please avoid any possible colliding to the product.
3. Use more packing bags for long-distance transport. Vacuum the bag or apply desiccant if necessary.
4. Keep temperature between -25°C to 55°C during the transportation. For short transportation (in 24 hours), the temperature can not exceed 70°C .

The product you order is certified in good condition before delivery. Please check whether there is any damage caused during transportation. Please carefully unpack the product as the packaging can be reused if the product is damaged during transportation.

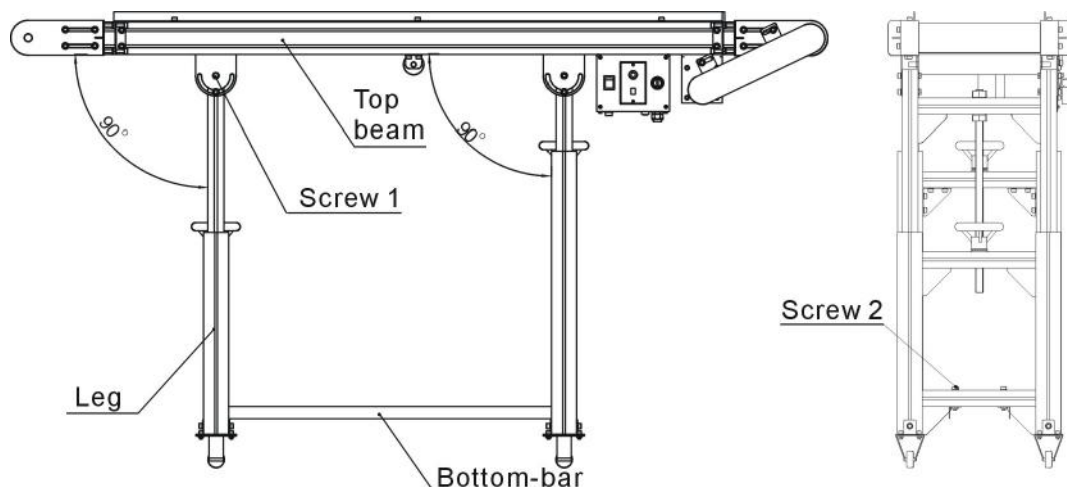
Any damage caused during transportation, please:

- 1) Report immediately to the transportation companies and our company.
- 2) Claim to the transporting company, fill the files for compensation.
- 3) *Keep* damaged items and wait for inspection. Do not return the product before the inspection is finished.

Unpacking Transport

Open the crate, rotate leg 90° vertical with top-beam. Use bottom-bars connect two rows legs and tighten screws. The steps as flowing (see the picture):

- 1) Rotate legs slowly, then vertical with top-beam.
- 2) Use bottom-bar to connect legs, and then tighten four SCREW 1 and SCREW 2.



Picture 1-3: Transportation and Adjustment

Storage

1. Cut off the main power, if not use for a long time.
2. The machine should be stored in ventilative and drying room to prevent machine rusty or electrical components damage.
3. Apply anticorrosive oil to the product and cover it thoroughly to prevent rust during storage.

Working Environment

1. Temperature: between +5°C to +40°C.
2. Humidity: Temperature +40°C, relative humidity less than 50%.
3. Elevation: Under 1000 meters above sea level.
4. Do no use it, if the power line is damage.
5. Do not use it, if the product breaks down or disassembled/inspected by unlicensed person.

Retirement

Recycle the product when it reaches service life. Please disassemble the product and separate the parts according to the material types (metal, plastics, rubber grease etc.). Recycle the product according to the local laws or contact local recycle organization for help.

1.5 Exemption Clause

The following statements clarify the responsibilities and regulations born by any buyer or user who purchases products and accessories from Shini (including employees and agents).

Shini is exempted from liability for any costs, fees, claims and losses caused by reasons below:

1. Any careless or man-made installations, operation and maintenances upon machines without referring to the Manual prior to machine using.
2. Any incidents beyond human reasonable controls, which include man-made vicious or deliberate damages or abnormal power, and machine faults caused by irresistible natural disasters including fire, flood, storm and earthquake.
3. Any operational actions that are not authorized by Shini upon machine, including adding or replacing accessories, dismantling, delivering or repairing.
4. Employing consumables or oil media that are not appointed by Shini.

2.1.2 Parts List (SC)

Table 2-1: Parts List (SC-200W~400W)

No.	Name	Part number		
		SC-200W	SC-300W	SC-400W
1	Belt 2000L	YR00410260000	YR02412030000	YR00412000000
	Belt 3000L	YR00620200000	YR00613200000	YR00612400000
	Belt 4000L	YR00812000000	YR02812030000	YR00812400000
	Belt 5000L	YR00122000000	YR00101300000	YR00102420000
	Belt 6000L	YR00126000000	YR00121300000	YR00102460000
2	Top beam 1 2000L	BH76130020010	BH76130020010	BH76130020010
	Top beam 1 3000L	BH76133100010	BH76133100010	BH76133100010
	Top beam 1 4000L	BH76134000010	BH76134000010	BH76134000010
	Top beam 1 5000L	BH76135000010	BH76135000010	BH76135000010
	Top beam 1 6000L	BH76136100010	BH76136100010	BH76136100010
3	Electrolysis plate 1 2000L	BL69202000020	BL69132300020	BL69004300020
	Electrolysis plate 1 3000L	BL69231000020	BL69003300020	BL69030300020
	Electrolysis plate 1 4000L	BL69241000020	BL69003200020	BL69040400020
	Electrolysis plate 1 5000L	BL69125100020	BL69005200020	BL69014500020
	Electrolysis plate 1 6000L	BL69126100020	BL69006300020	BL69010600020
4	Belt tuning plate	BL68000200020	BL68000200020	BL68000200020
5	Bearing	-	-	-
6	Deliver wheel 2	YW08272730000	YW08722042000	YW08272460000
7	Rag wheel 1	YW08521820000	YW08521820000	YW08521820000
8	Flat key	YX70060625000	YX70060625000	YX70060625000
9	Link chains	YW08080006000	YW08080006000	YW08080006000
10	Belt cover	BL68321100020	BL68321100020	BL68321100020
11	Speed adjustment motor	YM10565200000	YM10565200000	YM10565200000
12	Speed reducer ball-bearing	-	-	-
13	Motor fixing plate	BL69327000020	BL69327000020	BL69327000020
14	Screw M6×80	-	-	-
15	Rag wheel 2	YW08521220000	YW08521220000	YW08521220000
16	Control box	BH90000000050	BH90000000050	BH90000000050

No.	Name	Part number		
		SC-200W	SC-300W	SC-400W
17	Top beam fixing plate	YW09321800000	YW09321800000	YW09321800000
18	Nonmotile deliver wheel	YW08512500000	YW08501235000	YW08512460000
19	Nonmotile deliver wheel fixing plate	YW09321200000	YW09321200000	YW09321200000
20	Screw M8×40	-	-	-
21	Belt adjust plate	YW09321300000	YW09321300000	YW09321300000
22	Deliver wheel 1	YW08729000000	YW08722039000	YW08724900000
23	Screw M8×12	-	-	-
24	Screw M8×16	-	-	-
25	L bar 1 2000L	YX50302700020	YX50302700020	YX50302700020
	L bar 1 3000L	YX50350000020	YX50350000020	YX50350000020
	L bar 1 4000L	YX50343000020	YX50343000020	YX50343000020
	L bar 1 5000L	YX50353000020	YX50353000020	YX50353000020
	L bar 1 6000L	YX50336000020	YX50336000020	YX50336000020
26	Top beam 2 2000L	BH76230020010	BH76230020010	BH76230020010
	Top beam 2 3000L	BH76232200010	BH76232200010	BH76232200010
	Top beam 2 4000L	BH76232200010	BH76232200010	BH76232200010
	Top beam 2 5000L	BH76232200010	BH76232200010	BH76232200010
	Top beam 2 6000L	BH76236200010	BH76236200010	BH76236200010
27	Nonmotile roller wheel 2	YW08245200000	YW08235200000	YW08242300000
28	Electrolysis plate 2 2000L	BL69022000020	BL69132400020	BL6902400020
	Electrolysis plate 2 3000L	BL69023000020	BL69023300020	BL69040300020
	Electrolysis plate 2 4000L	BL69023000020	BL69023300020	BL69040300020
	Electrolysis plate 2 5000L	BL69023000020	BL69023300020	BL69040300020
	Electrolysis plate 2 6000L	BL69226100020	BL69026300020	BL69024600020
29	Angle tuning plate	YW09300206000	YW09300206000	YW09300206000

* means possible broken parts.

** means easy broken part. and spare backup is suggested.

Please confirm the version of manual before placing the purchase order to guarantee that the item number of the spare part is in accordance with the real object.

Table 2-2: Parts List (SC-500W/600W)

No.	Name	Part number	
		SC-500W	SC-600W
1	Belt 2000L	YR00412500000	YR00412600000
	Belt 3000L	YR00612500000	YR00612600000
	Belt 4000L	YR00802500000	YR00812600000
	Belt 5000L	YR00101500000	YR00106200000
	Belt 6000L	YR00121500000	YR00126200000
2	Top beam 1 2000L	BH76130020010	BH76130020010
	Top beam 1 3000L	BH76133100010	BH76133100010
	Top beam 1 4000L	BH76134000010	BH76134000010
	Top beam 1 5000L	BH76135000010	BH76135000010
	Top beam 1 6000L	BH76136100010	BH76136100010
3	Electrolysis plate 1 2000L	BL69015200020	BL69006200020
	Electrolysis plate 1 3000L	BL69013500020	BL69016000020
	Electrolysis plate 1 4000L	BL69045000020	BL69064100020
	Electrolysis plate 1 5000L	BL69055100020	BL69065000020
	Electrolysis plate 1 6000L	BL69006500020	BL69010060020
4	Belt tuning plate	BL68000200020	BL68000200020
5	Bearing	-	-
6	Deliver wheel 2	YW08720058000	YW08272720000
7	Rag wheel 1	YW08521820000	YW08521820000
8	Flat key	YX70060625000	YX70060625000
9	Link chains	YW08080006000	YW08080006000
10	Belt cover	BL68321100020	BL68321100020
11	Speed adjustment motor	YM10565200000	YM10565200000
12	Speed reducer ball-bearing	-	-
13	Motor fixing plate	BL69327000020	BL69327000020
14	Screw M6×80	-	-
15	Rag wheel 2	YW08521220000	YW08521220000
16	Control box	BH90000000050	BH90000000050
17	Top beam fixing plate	YW09321800000	YW09321800000

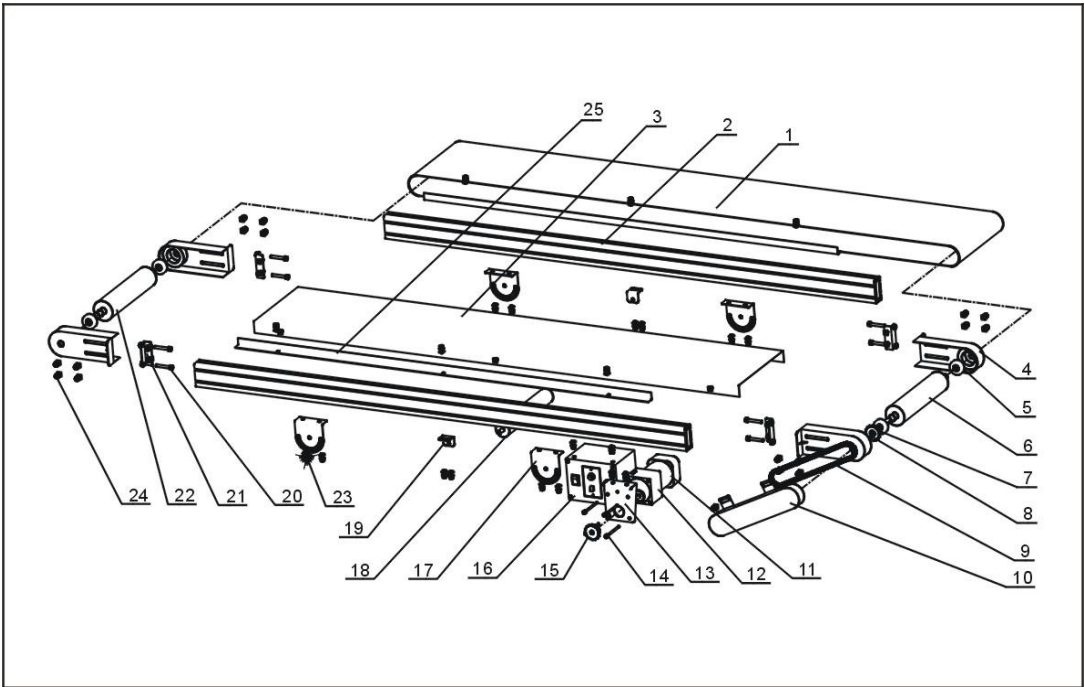
No.	Name	Part number	
		SC-500W	SC-600W
18	Nonmotile deliver wheel	YW08501546000	YW08512660000
19	Nonmotile deliver wheel fixing plate	YW09321200000	YW09321200000
20	Screw M8×40	-	-
21	Belt adjust plate	YW09321300000	YW09321300000
22	Deliver wheel 1	YW08722059000	YW08726900000
23	Screw M8×12	-	-
24	Screw M8×16	-	-
25	L bar 1 2000L	YX50302700020	YX50302700020
	L bar 1 3000L	YX50350000020	YX50350000020
	L bar 1 4000L	YX50343000020	YX50343000020
	L bar 1 5000L	YX50353000020	YX50353000020
	L bar 1 6000L	YX50336000020	YX50336000020
26	Top beam 2 2000L	BH76230020010	BH76230020010
	Top beam 2 3000L	BH76232200010	BH76232200010
	Top beam 2 4000L	BH76232200010	BH76232200010
	Top beam 2 5000L	BH76232200010	BH76232200010
	Top beam 2 6000L	BH76236200010	BH76236200010
27	Nonmotile roller wheel 2	YW08252300000	YW08245600000
28	Electrolysis plate 2 2000L	BL69052200020	BL69026000020
	Electrolysis plate 2 3000L	BL69025000020	BL69036000020
	Electrolysis plate 2 4000L	BL69025000020	BL69036000020
	Electrolysis plate 2 5000L	BL69025000020	BL69036000020
	Electrolysis plate 2 6000L	BL69123100020	BL69026600020
29	Angle tuning plate	YW09300206000	YW09300206000

* means possible broken parts.

** means easy broken part. and spare backup is suggested.

Please confirm the version of manual before placing the purchase order to guarantee that the item number of the spare part is in accordance with the real object.

2.1.3 SCI Explosion Figure



Picture 2-2: SCI Explosion View

2.1.4 Parts List (SCI)

Table 2-3: Parts List (SCI-200W~400W)

No.	Name	Part number		
		SCI-200W	SCI-300W	SCI-400W
1	Belt 1500L	-	YR00312320000	YR00314200000
	Belt 2000L	YR00410260000	YR02412030000	YR00412000000
	Belt 2500L	YR00520200000	YR00512320000	YR00520400000
	Belt 3000L	YR00620200000	YR00613200000	YR00612400000
	Belt 3500L	-	YR00712300000	YR00403500000
	Belt 4000L	YR00812000000	YR02812030000	YR00812400000
	Belt 4500L	-	YR00912000000	YR00912420000
	Belt 5000L	YR00122000000	YR00101300000	YR00102420000
	Belt 6000L	YR00126000000	YR00121300000	YR00102460000
2	Top beam 1500L	-	BL68315400020	BL68315400020
	Top beam 2000L	BH76804017840	BH76804017840	BH76804017840
	Top beam 2500L	BH76803002040	BH76803002040	BH76803002040
	Top beam 3000L	BX08040340040	BX08040340040	BX08040340040
	Top beam 3500L	-	BH76335000440	BH76335000440
	Top beam 4000L	BH76804037840	BH76804037840	BH76804037840
	Top beam 4500L	-	BH76345000440	BH76345000440
	Top beam 5000L	BH76364000040	BH76354000040	BH76354000040
	Top beam 6000L	BH76354000040	BH76354000040	BH76354000040
3	Electrolysis plate 1500L	-	BL68315300020	BL68315200020
	Electrolysis plate 2000L	BL68220500020	BL69003400020	BL68422000020
	Electrolysis plate 2500L	BL68225200020	BL68325000020	BL69004800020
	Electrolysis plate 3000L	BL68322000020	BL68333000020	BL68435000020
	Electrolysis plate 3500L	-	BL68343000020	BL68435200020
	Electrolysis plate 4000L	BL68242000020	BL68303000020	BL68442000020
	Electrolysis plate 4500L	-	BL68345000020	BL68445200020
	Electrolysis plate 5000L	BL68252000020	BL68360000020	BL68452000020
	Electrolysis plate 6000L	BL69232000020	BL68360000020	BL68602200020
4	Belt tuning plate	BL68000200020	BL68000200020	BL68000200020

5	Bearing	-	-	-
6	Deliver wheel 2	YW08272730000	YW08722042000	YW08272460000
7	Rag wheel 1	YW08521820000	YW08521820000	YW08521820000
8	Flat key	YX70060625000	YX70060625000	YX70060625000
9	Link chains	YW08080006000	YW08080006000	YW08080006000
10	Belt cover	BL68321100020	BL68321100020	BL68321100020
11	Speed adjustment motor	YM10565200000	YM10565200000	YM10565200000
12	Speed reducer ball-bearing	YE80520000200	YE80520000200	YE80520000200
13	Motor fixing plate	BL69327000020	BL69327000020	BL69327000020
14	Screw M6×80	-	-	-
15	Rag wheel 2	YW08521220000	YW08521220000	YW08521220000
16	Control box	BH90000000050	BH90000000050	BH90000000050
17	Top beam fixing plate	YW09321800000	YW09321800000	YW09321800000
18	Nonmotile deliver wheel	YW08512500000	YW08501235000	YW08512460000
19	Nonmotile deliver wheel fixing plate	YW09321200000	YW09321200000	YW09321200000
20	Screw M8×40	-	-	-
21	Belt adjust plate	YW09321300000	YW09321300000	YW09321300000
22	Deliver wheel 1	YW08729000000	YW08722039000	YW08724900000
23	Screw M8×12	-	-	-
24	Screw M8×16	-	-	-
25	L-type fixing 1500L	-	YX50303020000	YX50303020000
	L-type fixing 2000L	YX50320900020	YX50320900020	YX50320900020
	L-type fixing 2500L	BL68300250020	BL68300250020	BL68300250020
	L-type fixing 3000L	YX50300050020	YX50300050020	YX50300050020
	L-type fixing 3500L	-	YX50300450020	YX50300350020
	L-type fixing 4000L	YX50300450020	YX50300350020	YX50300450020
	L-type fixing 4500L	-	BL68304050020	BL68304050020
	L-type fixing 5000L	YX50300550020	YX50306500020	YX50300550020
	L-type fixing 6000L	YX50306500020	YX50306500020	YX50306500020

* means possible broken parts.

** means easy broken part. and spare backup is suggested.

Please confirm the version of manual before placing the purchase order to guarantee that the item number of the spare part is in accordance with the real object.

Table 2-4: Parts List (SCI-500W/600W)

No.	Name	Part number	
		SCI-500W	SCI-600W
1	Belt 1500L	-	-
	Belt 2000L	YR00412500000	YR00412600000
	Belt 2500L	YR00512500000	-
	Belt 3000L	YR00612500000	YR00612600000
	Belt 3500L	YR00403500000	-
	Belt 4000L	YR00812400000	YR00812600000
	Belt 4500L	YR00912050000	-
	Belt 5000L	YR00101500000	YR00106200000
	Belt 6000L	YR00121500000	YR00126200000
2	Top beam 1500L	-	-
	Top beam 2000L	BH76804017840	BH76804017840
	Top beam 2500L	BH76803002040	-
	Top beam 3000L	BX08040340040	BX08040340040
	Top beam 3500L	BH76335000440	-
	Top beam 4000L	BH76804037840	BH76804037840
	Top beam 4500L	BH76345000440	-
	Top beam 5000L	BH76354000040	BH76354000040
	Top beam 6000L	BH76354000040	BH76354000040
3	Electrolysis plate 1500L	-	-
	Electrolysis plate 2000L	BL68522000020	BL68600200020
	Electrolysis plate 2500L	BL68325000020	-
	Electrolysis plate 3000L	BL68532000020	BL68602200020
	Electrolysis plate 3500L	BL68435200020	-
	Electrolysis plate 4000L	BL68442000020	BL68642200020
	Electrolysis plate 4500L	BL68504500020	-
	Electrolysis plate 5000L	BL68502000020	BL68652000020
	Electrolysis plate 6000L	BL68062000020	BL68620000020
4	Belt tuning plate	BL68000200020	BL68000200020
5	Bearing	-	-

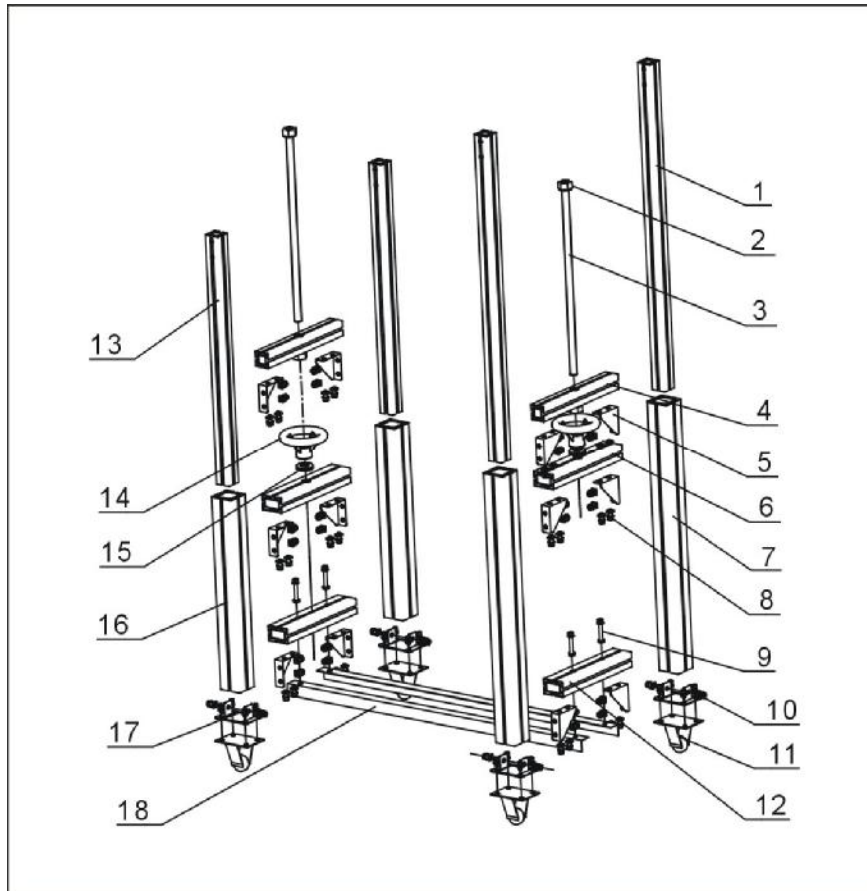
6	Deliver wheel 2	YW08720058000	YW08272720000
7	Rag wheel 1	YW08521820000	YW08521820000
8	Flat key	YX70060625000	YX70060625000
9	Link chains	YW08080006000	YW08080006000
10	Belt cover	BL68321100020	BL68321100020
11	Speed adjustment motor	YM10565200000	YM10565200000
12	Speed reducer ball-bearing	YE80520000200	YE80520000200
13	Motor fixing plate	BL69327000020	BL69327000020
14	Screw M6×80	-	-
15	Rag wheel 2	YW08521220000	YW08521220000
16	Control box	BH90000000050	BH90000000050
17	Top beam fixing plate	YW09321800000	YW09321800000
18	Nonmotile deliver wheel	YW08501546000	YW08512660000
19	Nonmotile deliver wheel fixing plate	YW09321200000	YW09321200000
20	Screw M8×40	-	-
21	Belt adjust plate	YW09321300000	YW09321300000
22	Deliver wheel 1	YW08722059000	YW08726900000
23	Screw M8×12	-	-
24	Screw M8×16	-	-
25	L-type fixing 1500L	-	-
	L-type fixing 2000L	YX50320900020	YX50320900020
	L-type fixing 2500L	BL68300250020	-
	L-type fixing 3000L	YX50300050020	YX50300050020
	L-type fixing 3500L	YX50300350020	-
	L-type fixing 4000L	YX50300450020	YX50300450020
	L-type fixing 4500L	YX50300450020	-
	L-type fixing 5000L	YX50300550020	YX50300550020
	L-type fixing 6000L	YX50306500020	YX50306500020

* means possible broken parts.

** means easy broken part. and spare backup is suggested.

Please confirm the version of manual before placing the purchase order to guarantee that the item number of the spare part is in accordance with the real object.

2.1.5 Stand Explosion Figure



Picture 2-3: Stand Explosion View

2.1.6 Parts List (SC/SCI)

Table 2-5: Parts List (SC-200W~400W)

No.	Name	Part number		
		SC-200W	SC-300W	SC-400W
1	Column (top)	BH76404085010	BH76404085010	BH76404085010
2	Hex socket bolt nut M18	YW61051500000	YW61051500000	YW61051500000
3	Screw bar M18×500	YW69018500000	YW69018500000	YW69018500000
	Screw bar M18×600	YW69018600000	YW69018600000	YW69018600000
4	Beam (top)	BH76022000010	BH76404031010	BH76043000010
5	Triangle-plate	YW09321600000	YW09321600000	YW09321600000
6	Beam (middle)	BH76020200010	BH76604028010	BH76043200010
7	Column (bottom)	BH76626270040	BH76626270040	BH76626270040
8	Screw M8×12	YW61081200000	YW61081200000	YW61081200000
9	Screw M8×55	YW61085500000	YW61085500000	YW61085500000
10	Caster fixing plate	YW09321400000	YW09321400000	YW09321400000
11	Mobile castor	YW03000300000	YW03000300000	YW03000300000
	Castor with brake	YW03000300200	YW03000300200	YW03000300200
12	Beam (bottom)	BH76022300010	BH76604029010	BH76043300010
13	Column (top)	BH76404065010	BH76404065010	BH76404065010
14	Hand wheel	YW12801200000	YW12801200000	YW12801200000
15	Thrust bearing	YW11512040000	YW11512040000	YW11512040000
16	Column (bottom)	BH76626250010	BH76626250010	BH76626250010
17	Screw M6×12	YW61061600200	YW61061600200	YW61061600200
18	Bottom-bar 1500L	-	BL68315100020	BL68315100020
	Bottom-bar 2000L	BH76303091610	BH76303091610	BH76303091610
	Bottom-bar 2500L	BH73250000010	BH73250000010	BH73250000010
	Bottom-bar 3000L	BH73230000010	BH73230000010	BH73230000010
	Bottom-bar 3500L	BH76335000010	BH76335000010	BH76335000010
	Bottom-bar 4000L	BH76303000010	BH76303000010	BH76303000010
	Bottom-bar 4500L	BH76345000010	BH76345000010	BH76345000010
	Bottom-bar 5000L	BH76350000010	BH76350000010	BH76350000010
	Bottom-bar 6000L	BH76336000010	BH76336000010	BH76336000010

* means possible broken parts.

** means easy broken part. and spare backup is suggested.

Please confirm the version of manual before placing the purchase order to guarantee that the item number of the spare part is in accordance with the real object.

Table 2-6: Parts List (SC-500W/600W)

No.	Name	Part number	
		SC-500W	SC600W
1	Column (top)	BH76404085010	BH76404085010
2	Hex socket bolt nut M18	YW61051500000	YW61051500000
3	Screw bar M18×500	YW69018500000	YW69018500000
	Screw bar M18×600	YW69018600000	YW69018600000
4	Beam (top)	BH76504000010	BH76063000010
5	Triangle-plate	YW09321600000	YW09321600000
6	Beam (middle)	BX50542000000	BH76063200010
7	Column (bottom)	BH76626270040	BH76626270040
8	Screw M8×12	YW61081200000	YW61081200000
9	Screw M8×55	YW61085500000	YW61085500000
10	Caster fixing plate	YW09321400000	YW09321400000
11	Mobile castor	YW03000300000	YW03000300000
	Castor with brake	YW03000300200	YW03000300200
12	Beam (bottom)	BX50450200010	BH76063300010
13	Column (top)	BH76404065010	BH76404065010
14	Hand wheel	YW12801200000	YW12801200000
15	Thrust bearing	YW11512040000	YW11512040000
16	Column (bottom)	BH76626250010	BH76626250010
17	Screw M6×12	YW61061600200	YW61061600200
18	Bottom-bar 1500L	-	-
	Bottom-bar 2000L	BH76303091610	BH76303091610
	Bottom-bar 2500L	BH73250000010	BH73250000010
	Bottom-bar 3000L	BH73230000010	BH73230000010
	Bottom-bar 3500L	BH76335000010	BH76335000010
	Bottom-bar 4000L	BH76303000010	BH76303000010
	Bottom-bar 4500L	BH76345000010	BH76345000010
	Bottom-bar 5000L	BH76350000010	BH76350000010
	Bottom-bar 6000L	BH76336000010	BH76336000010

* means possible broken parts.

** means easy broken part. and spare backup is suggested.

Please confirm the version of manual before placing the purchase order to guarantee that the item number of the spare part is in accordance with the real object.

Table 2-7: Parts List (SCI-200W~400W)

No.	Name	Part number		
		SCI-200W	SCI-300W	SCI-400W
1	Column (top)	BH76404085010	BH76404085010	BH76404085010
2	Hex socket bolt nut M18	YW61051500000	YW61051500000	YW61051500000
3	Screw bar M18×500	YW69018500000	YW69018500000	YW69018500000
	Screw bar M18×600	YW69018600000	YW69018600000	YW69018600000
4	Beam (top)	BH76022000010	BH76404031010	BH76043000010
5	Triangle-plate	YW09321600000	YW09321600000	YW09321600000
6	Beam (middle)	BH76020200010	BH76604028010	BH76043200010
7	Column (bottom)	BH76626270040	BH76626270040	BH76626270040
8	Screw M8×12	YW61081200000	YW61081200000	YW61081200000
9	Screw M8×55	YW61085500000	YW61085500000	YW61085500000
10	Caster fixing plate	YW09321400000	YW09321400000	YW09321400000
11	Mobile castor	YW03000300000	YW03000300000	YW03000300000
	Castor with brake	YW03000300200	YW03000300200	YW03000300200
12	Beam (bottom)	BH76022300010	BH76604029010	BH76043300010
13	Column (top)	BH76404065010	BH76404065010	BH76404065010
14	Hand wheel	YW12801200000	YW12801200000	YW12801200000
15	Thrust bearing	YW11512040000	YW11512040000	YW11512040000
16	Column (bottom)	BH76626250010	BH76626250010	BH76626250010
17	Screw M6×12	YW61061600200	YW61061600200	YW61061600200
18	Bottom-bar 1500L	-	BL68315100020	BL68315100020
	Bottom-bar 2000L	BH76303091610	BH76303091610	BH76303091610
	Bottom-bar 2500L	BH73250000010	BH73250000010	BH73250000010
	Bottom-bar 3000L	BH73230000010	BH73230000010	BH73230000010
	Bottom-bar 3500L	BH76335000010	BH76335000010	BH76335000010
	Bottom-bar 4000L	BH76303000010	BH76303000010	BH76303000010
	Bottom-bar 4500L	BH76345000010	BH76345000010	BH76345000010
	Bottom-bar 5000L	BH76350000010	BH76350000010	BH76350000010
	Bottom-bar 6000L	BH76336000010	BH76336000010	BH76336000010

* means possible broken parts.

** means easy broken part. and spare backup is suggested.

Please confirm the version of manual before placing the purchase order to guarantee that the item number of the spare part is in accordance with the real object.

Table 2-8: Parts List (SCI-500W/600W)

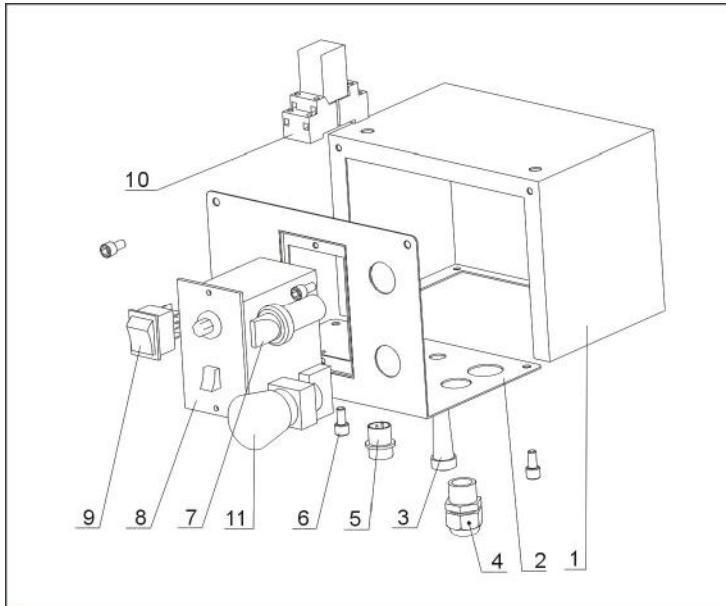
No.	Name	Part number	
		SCI-500W	SCI-600W
1	Column (top)	BH76404085010	BH76404085010
2	Hex socket bolt nut M18	YW61051500000	YW61051500000
3	Screw bar M18×500	YW69018500000	YW69018500000
	Screw bar M18×600	YW69018600000	YW69018600000
4	Beam (top)	BH76504000010	BH76063000010
5	Triangle-plate	YW09321600000	YW09321600000
6	Beam (middle)	BX50542000000	BH76063200010
7	Column (bottom)	BH76626270040	BH76626270040
8	Screw M8×12	YW61081200000	YW61081200000
9	Screw M8×55	YW61085500000	YW61085500000
10	Caster fixing plate	YW09321400000	YW09321400000
11	Mobile castor	YW03000300000	YW03000300000
	Castor with brake	YW03000300200	YW03000300200
12	Beam (bottom)	BX50450200010	BH76063300010
13	Column (top)	BH76404065010	BH76404065010
14	Hand wheel	YW12801200000	YW12801200000
15	Thrust bearing	YW11512040000	YW11512040000
16	Column (bottom)	BH76626250010	BH76626250010
17	Screw M6×12	YW61061600200	YW61061600200
18	Bottom-bar 1500L	-	-
	Bottom-bar 2000L	BH76303091610	BH76303091610
	Bottom-bar 2500L	BH73250000010	BH73250000010
	Bottom-bar 3000L	BH73230000010	BH73230000010
	Bottom-bar 3500L	BH76335000010	BH76335000010
	Bottom-bar 4000L	BH76303000010	BH76303000010
	Bottom-bar 4500L	BH76345000010	BH76345000010
	Bottom-bar 5000L	BH76350000010	BH76350000010
	Bottom-bar 6000L	BH76336000010	BH76336000010

* means possible broken parts.

** means easy broken part. and spare backup is suggested.

Please confirm the version of manual before placing the purchase order to guarantee that the item number of the spare part is in accordance with the real object.

2.1.7 Control Box Explosion Figure



Picture 2-4: Control Box Explosion View

2.1.8 Parts List (SC/SCI)

Table 2-9: Parts List (SC-200W~400W)

No.	Name	Part number		
		SC-200W	SC-300W	SC-400W
1	Control body	BL68200800020	BL68200800020	BL68200800020
2	Control box cover	BL68200700020	BL68200700020	BL68200700020
3	Fuse port	YE46052000100	YE46052000100	YE46052000100
4	Cable lock	YE67013500000	YE67013500000	YE67013500000
5	Water-proof connector (male)	YE64160200100	YE64160200100	YE64160200100
	Water-proof connector (mother)	YE64160200000	YE64160200000	YE64160200000
6	Screw M5×10	-	-	-
7	Rotary switch	YE12210100000	YE12210100000	YE12210100000
8	Speed controller	YE80520000200	YE80520000200	YE80520000200
9	On-off switch	YE10220600000	YE10220600000	YE10220600000
10	Relay	YE03272400000	YE03272400000	YE03272400000
11	Emergency stop button	YE11411000000	YE11411000000	YE11411000000

* means possible broken parts.

** means easy broken part. and spare backup is suggested.

Please confirm the version of manual before placing the purchase order to guarantee that the item number of the spare part is in accordance with the real object.

Table 2-10: Parts List (SC-500W/600W)

No.	Name	Part number	
		SC-500W	SC-600W
1	Control body	BL68200800020	BL68200800020
2	Control box cover	BL68200700020	BL68200700020
3	Fuse port	YE46052000100	YE46052000100
4	Cable lock	YE67013500000	YE67013500000
5	Water-proof connector (male)	YE64160200100	YE64160200100
	Water-proof connector (mother)	YE64160200000	YE64160200000
6	Screw M5×10	-	-
7	Rotary switch	YE12210100000	YE12210100000
8	Speed controller	YE80520000200	YE80520000200
9	On-off switch	YE10220600000	YE10220600000
10	Relay	YE03272400000	YE03272400000
11	Emergency stop button	YE11411000000	YE11411000000

* means possible broken parts.

** means easy broken part. and spare backup is suggested.

Please confirm the version of manual before placing the purchase order to guarantee that the item number of the spare part is in accordance with the real object.

Table 2-11: Parts List (SCI-200W~400W)

No.	Name	Part number		
		SCI-200W	SCI-300W	SCI-400W
1	Control body	BL68200800020	BL68200800020	BL68200800020
2	Control box cover	BL68200700020	BL68200700020	BL68200700020
3	Fuse port	YE46052000100	YE46052000100	YE46052000100
4	Cable lock	YE67013500000	YE67013500000	YE67013500000
5	Water-proof connector (male)	YE64160200100	YE64160200100	YE64160200100
	Water-proof connector (mother)	YE64160200000	YE64160200000	YE64160200000
6	Screw M5×10	-	-	-
7	Rotary switch	YE12210100000	YE12210100000	YE12210100000
8	Speed controller	YE80520000200	YE80520000200	YE80520000200
9	On-off switch	YE10220600000	YE10220600000	YE10220600000
10	Relay	YE03272400000	YE03272400000	YE03272400000
11	Emergency stop button	YE11411000000	YE11411000000	YE11411000000

* means possible broken parts.

** means easy broken part. and spare backup is suggested.

Please confirm the version of manual before placing the purchase order to guarantee that the item number of the spare part is in accordance with the real object.

Table 2-12: Parts List (SCI-500W/600W)

No.	Name	Part number	
		SCI-500W	SCI-600W
1	Control body	BL68200800020	BL68200800020
2	Control box cover	BL68200700020	BL68200700020
3	Fuse port	YE46052000100	YE46052000100
4	Cable lock	YE67013500000	YE67013500000
5	Water-proof connector (male)	YE64160200100	YE64160200100
	Water-proof connector (mother)	YE64160200000	YE64160200000
6	Screw M5×10	-	-
7	Rotary switch	YE12210100000	YE12210100000
8	Speed controller	YE80520000200	YE80520000200
9	On-off switch	YE10220600000	YE10220600000
10	Relay	YE03272400000	YE03272400000
11	Emergency stop button	YE11411000000	YE11411000000

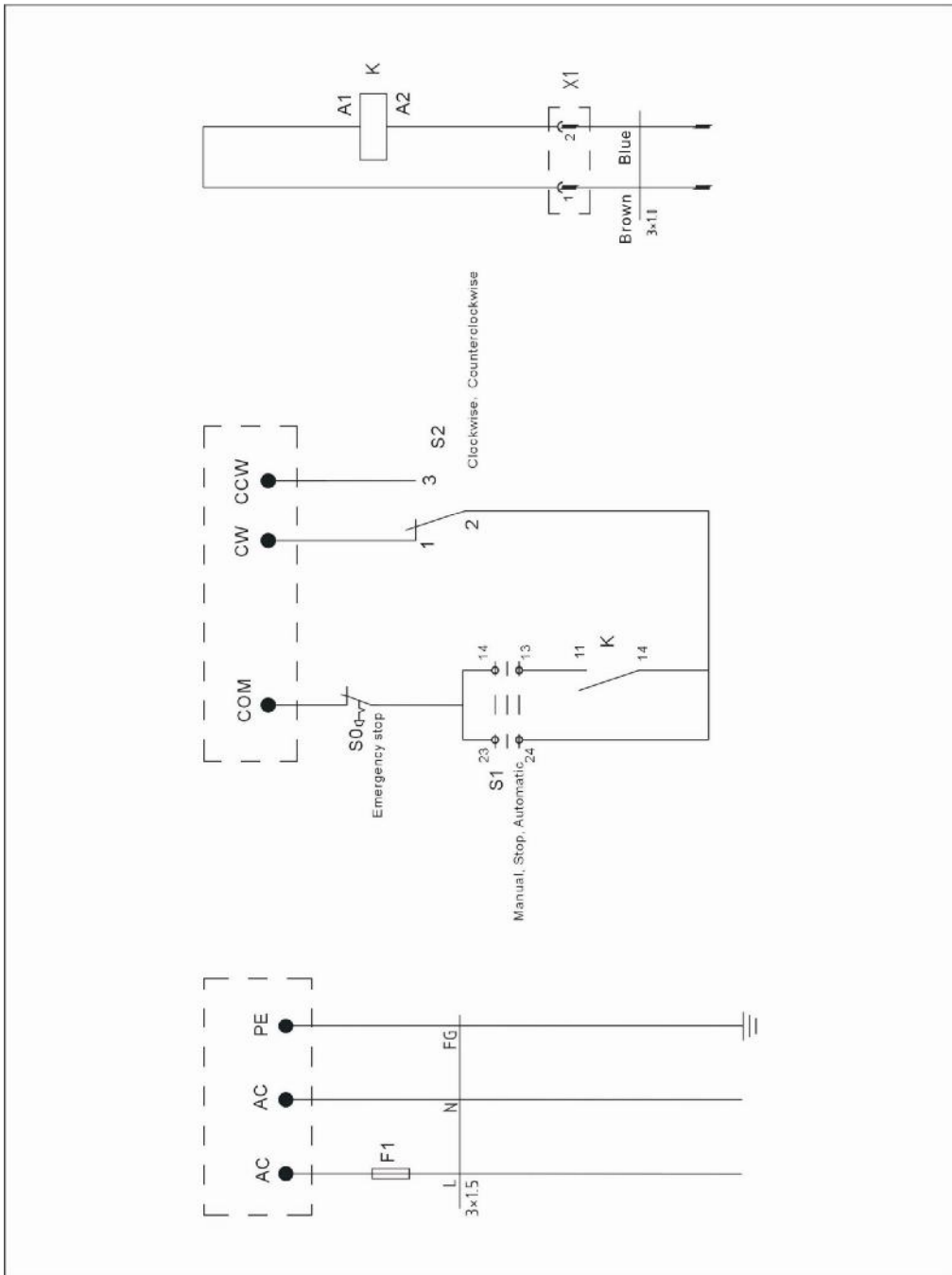
* means possible broken parts.

** means easy broken part. and spare backup is suggested.

Please confirm the version of manual before placing the purchase order to guarantee that the item number of the spare part is in accordance with the real object.

2.2 Circuit Diagram

2.2.1 Main Circuit



Picture 2-5: Main Circuit

3. Installation and Adjustment

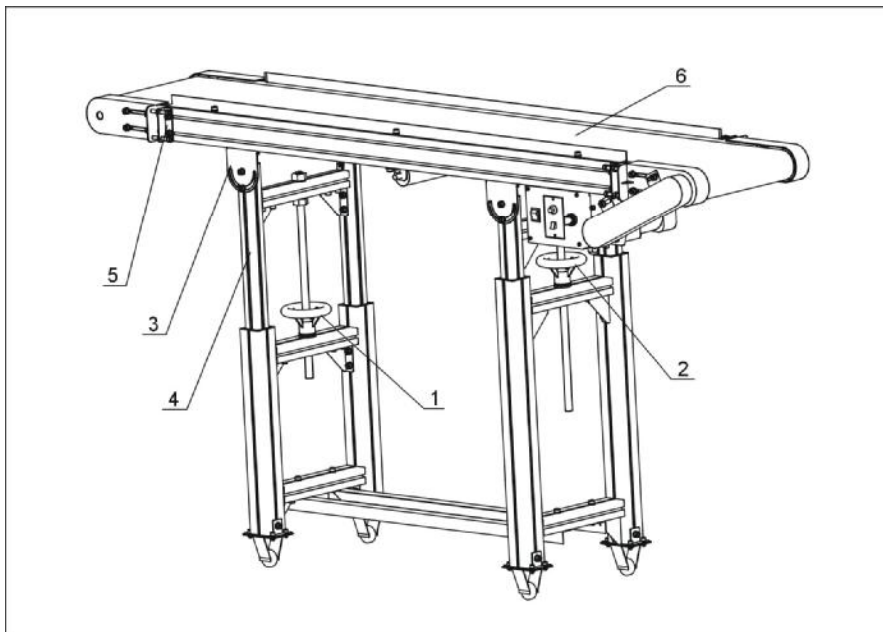
Before installation, please read this chapter completely.



The power connection only can be completed by licensed electrician.

3.1 Adjustment

- 1) Rotate hand wheel (1) and hand wheel (2) to adjust the height as required.
- 2) Loosen the connection screw between top beam block (3) and carriage (4). Rotate hand wheel (1) and (2) to different height that conveyor can be inclined as requires.
- 3) Fix the screw on belt adjustment block (5) to make belt (6) tightened and on its position.



1. Hand wheel 1 2. Hand wheel 2 3. Top beam block 4. Leg 5. Belt adjust plate
6. Belt

Picture 3-1: Installation and Adjustment

4. Operation

4.1 Instruction

- 1) Plug on the power and connect the cable (X1) to SHINI robot (D2).
- 2) Switch on the conveyor. The conveyor will start operating.
- 3) Change the speed by adjusting the rotary switch.
- 4) Select manual or automate as required.
- 5) Automate mode: robot will activate the conveyor each cycle.

5. Error Elimination

Error	Caused	Correction
Turn on the current, press the button on speed controller, the motor can not operate.	<ol style="list-style-type: none"> 1. The speed controller rotary switch is point on 0. 2. No power. 3. Current connection errors. 4. Motor errors. 	<ol style="list-style-type: none"> 1. Adjust the speed rotary switch. 2. Reconnect the current. 3. Examine the circuit according to the electric control chart. 4. Change another motor.
Motor is on operating but belt not.	The belt is loosening.	Adjust the adjustment plate and tuning plate. Tighten the belt proper.
Belt is not on its position.	Two ends of belt are not on horizontal.	Loose screw on the belt adjustment block and adjust the belt tuning block.

6. Maintenance

The conveyor does not require particularly maintenance.

6.1 Repair

Repair should be performed by qualified personnel only, in order to prevent personal injuries or equipment damages.

Clean the dirt, oil stain, etc from conveyor.

Clean the conveyor after every working.

In order to prevent personal injuries and keep operating smoothly, do not clean the machine if it is in operation.

6.2 Maintenance

Clean the dust and dirt promptly, to keep motor clean and abstract heat.

Remove dirt and oil stain everyday to keep machine in good condition

Use of flammable liquid cleaner to the machine is forbidden.

Add lubricating grease on link chains every month in regurgitation.



Turn off the main switch before maintenance.

EC Declaration of Conformity



The undersigned, representing the following:

Manufacturer and	the authorised representative established within the European Economic Area:
Company name: SHINI PLASTICS TECHNOLOGIES,INC. Address: 23,Minhe Street, Shulin City, Taipei,Taiwan	
Business name:	
Name and address of person/Company authorised to compile the technical file established in the EU Community:	

herewith declare that the following machinery:

Description of machinery
Generic denomination: Conveyor Belts
Function: Conveyor Belts for machanical handling of unit loads
Model/s: SC-200W,SC-300W,SC-400W,SC-500W,SC-600W, SCI-200W,SCI-300W, SCI-400W,SCI-500W,SCI-600W
Type/s:
Serial no/s.:
Commercial name/s:

Fulfill the relevant provisions of European Directive 2006/42/EC (MD) and 2006/95/EC (LVD). The harmonized standards used in order to obtain compliance to 2006/42/EC (MD) and 2006/95/EC (LVD) are the following:

EN 12882:2008 Conveyor belts for general purpose use— Electrical and flammability safety requirements

EN 619:2002 Continuous handling equipment and systems-Safety and EMC requirements for equipment for mechanical handling of unit loads

Place: Dalang Dongguan, Guangdong, China

Date: 2010-11-22

Identity and Signature: _____

EC DECLARATION OF CONFORMITY

We, Manufacturer / Importer

(Full address)

SHINI PLASTICS TECHNOLOGIES, INC.
23, Minhe Street, Shulin City, Taipei, Taiwan

Declare that the product

Conveyor Belts

Model: SC-200W, SC-300W, SC-400W, SC-500W, SC-600W,

SCI-200W, SCI-300W, SCI-400W, SCI-500W, SCI-600W

— *is manufactured and tested according to the following standards,*

EMC std.: EN 61000-6-2:2005; EN 61000-6-4:2007

is in conformity with the provisions of the EMC Directive (2004/108/EC) and with national implementing legislation:

Manufacturer / Importer

SHINI PLASTICS TECHNOLOGIES, INC.

.....
Date & place

..... (Stamp)

Signature

.....
Full name in block size