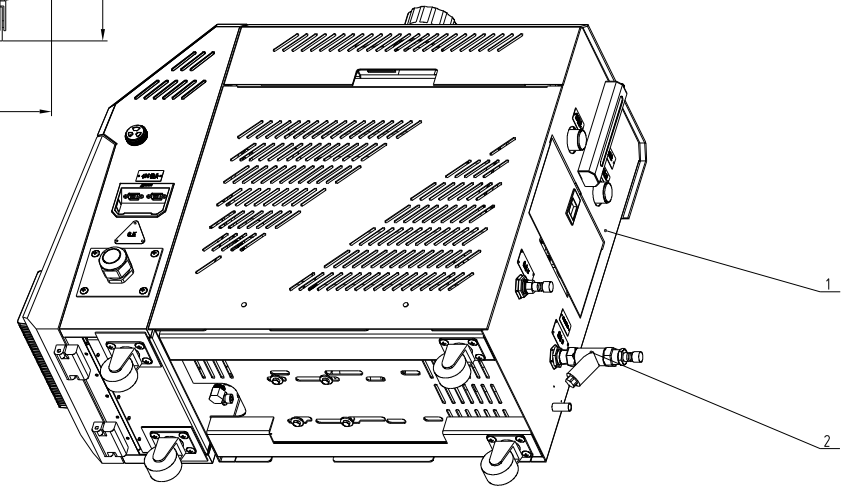
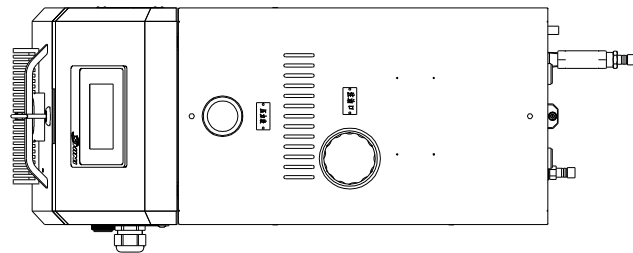
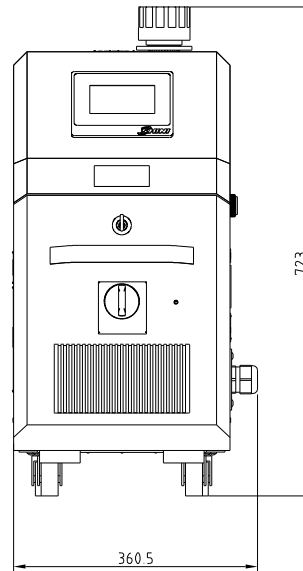
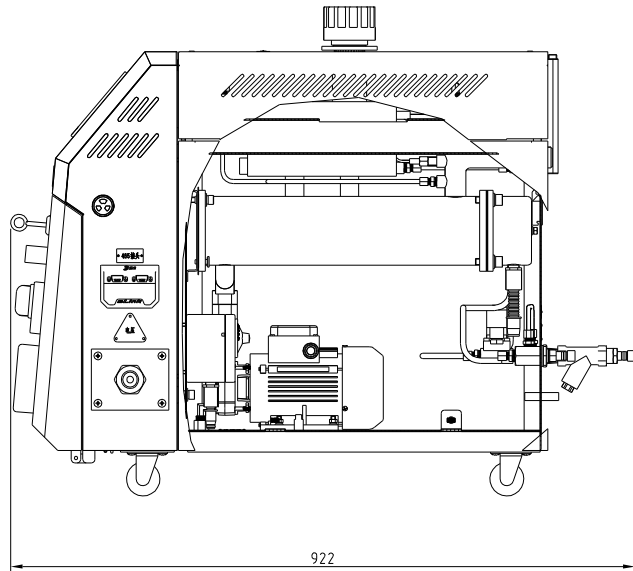


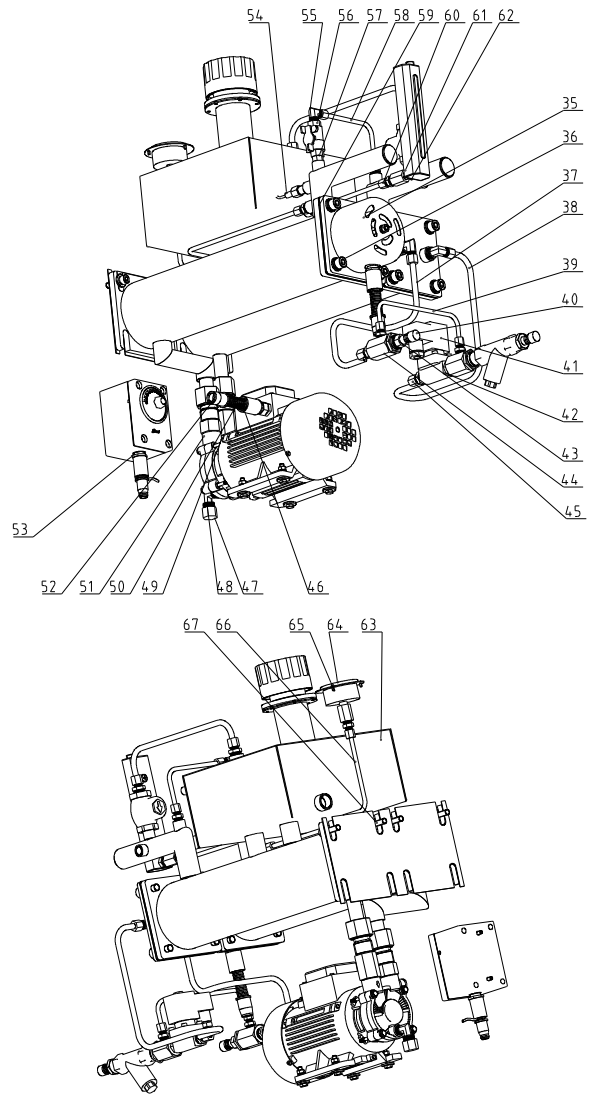
Pump Max. Pressure (bar)	Max. pump Flow(L/min)	Pump Power(kW)	Heater(kW)	Max. Temp.	Weight(kg)	Ver.
3.8	27	0.55	6	200°C	70	1

Inlet /Outlet Size (E PT female thread (inch))	Cooling Method	Main/Sub Oil Tank(L)	Heating Tank Number
3/4	Indirect Cooling	6/3.2	1



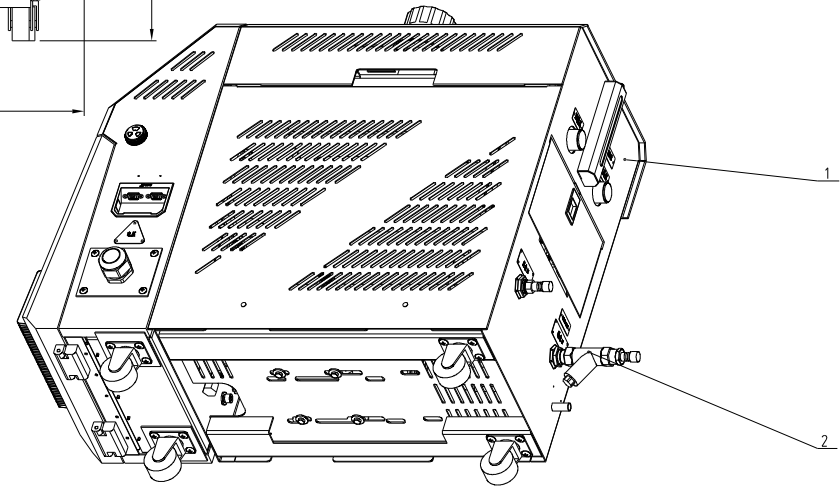
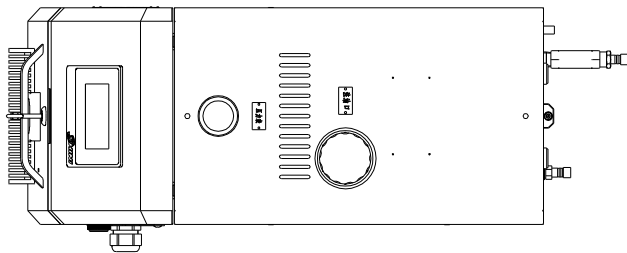
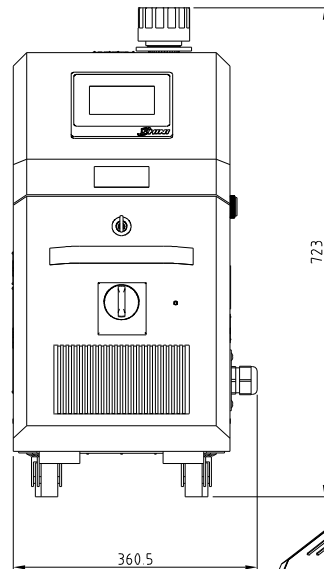
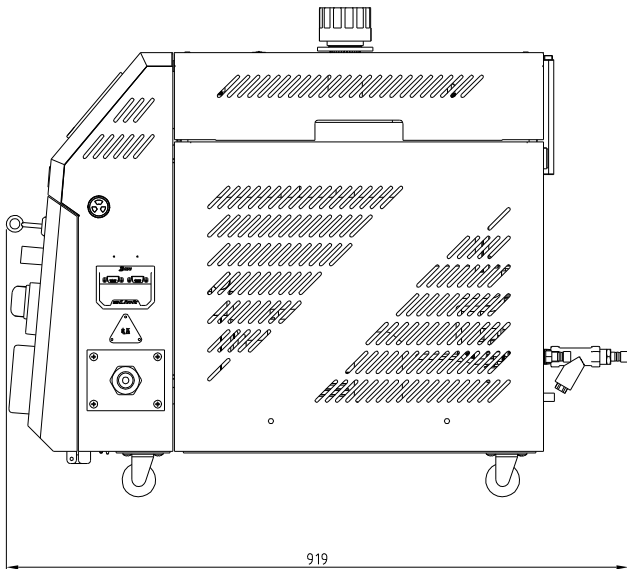
2	STM-607-B-ALL	Internal structure			1	
1	STM-607-A-ALL	Shell metal plate			1	
No.	Material number	Name	Mat.	Num.	Remarks	

					制图	版号	标题	STM-607	图号	STM-607-ALL	比例	数量
					设计	核准	油式烘湿机				1:1	材质
					校对		SHINI 信易电热机械股份有限公司 Shini Plastics Technologies, Inc.				表面要求	
标记	更改前	更改后	更改人	日期	审核	日期						物料号



67	YW61083000000	Inner hexagon cylinder screw M8x30	12.9	4	GB/T70.1
66	STM-607-B-05	Pressure gauge pipeline	SUS304	1	
65	YW63030600000	Gross recessed pan head screw M3x6	Q235A	3	GB/T-823
64	YW85001000100	Pressure gauge		1	0~10MPa Range
63	STM-607-B-01	Cooling tank and oil tank		1	Welding parts
62	S-82	Level detector nut	H62	1	1/4"H
61	BH12060701710	H to PT connector	H58	2	Female thread 1/4"PT to female thread 1/4"H
60	YW050614.00000	Sleeve connector		7	6MMX1/4"PT(H59)
59	STM-607-B-07	Level detector pipe	SUS304	1	
58	STM-607-B-06	Oil bypass pipeline	SUS304	1	Borrowed
57	S-08	Pipe coupler	H58	1	1/4"PTx1/4"PT
56	YW50220000000	Butterfly ball valve	SUS304	1	1/4" heat-resistant 200c
55	YW050614.00100	Sleeve connector		1	6MMX1/4"PT L-type (H59)
54	BE9034.1500050	Thermocouple	SUS304	1	15M
53	YE67109000000	Quick connector of hose	PVC	1	WQG1-P09B
52	YE67015800100	Flexible pipe blind end	PVC	2	WQEAD15.8B
51	S-02	Copper horn connector	H58	1	1/2"PTx3/4"H 55MM
50	YE67111000000	Quick connector of hose	PVC	1	WQG1-P11B
49	S-03	Copper horn connector	H58	1	2/1"PTx3/4"H 75MM
48	YW04030800400	Tonflon connector	H58	1	1/4"PTx3/8"H L
47	S-171	Teflon plug	H58	1	3/8"H plug
46	YE66015800000	Flexible conduit	PA66	2	WY-PA6AD15.8B 1.3m
45	YW05083800000	Sleeve connector		4	8MMX3/8"PT (H59)
44	S-84	Copper three-way joint 3/8"		1	Equipped with universal copper nut
43	S-85	Copper insert	H58	1	3/8"PTx Φ13
42	S-07	Copper pipe coupler	H58	1	3/8"PTx3/8"PT
41	YE323824.00000	Solenoid valve 24V		1	3/8PT (Kailing)
40	YR30010200000	Copper pipe plug	Rubber	2	1/2"PT
39	STM-607-B-08	Water bypass pipeline	SUS304	1	Borrowed
38	STM-607-B-11	Cooling pipe inlet pipe	SUS304	1	Borrowed
37	STM-607-B-12	Cooling pipe outlet pipe	SUS304	1	
36	YW61103000100	Inner hexagon cylinder screw M10x30	12.9	8	GB/T70.1
35	YW640004.00500	Hexagonal nut M4	A2-70	12	GB/T6170
No.	Material number	Name	Mat.	Num.	Remarks

					制图	版号	标题	图号	比例	数量
					设计	核	STM-607	STM-607-B-ALL	1:1	1
					校对	准	内部结构		材料	
							SHINI	信易电热机械股份有限公司 Shini Plastics Technologies, Inc.	表面要求	
标记	更改前	更改后	更改人	日期	审核	日期			物料号	



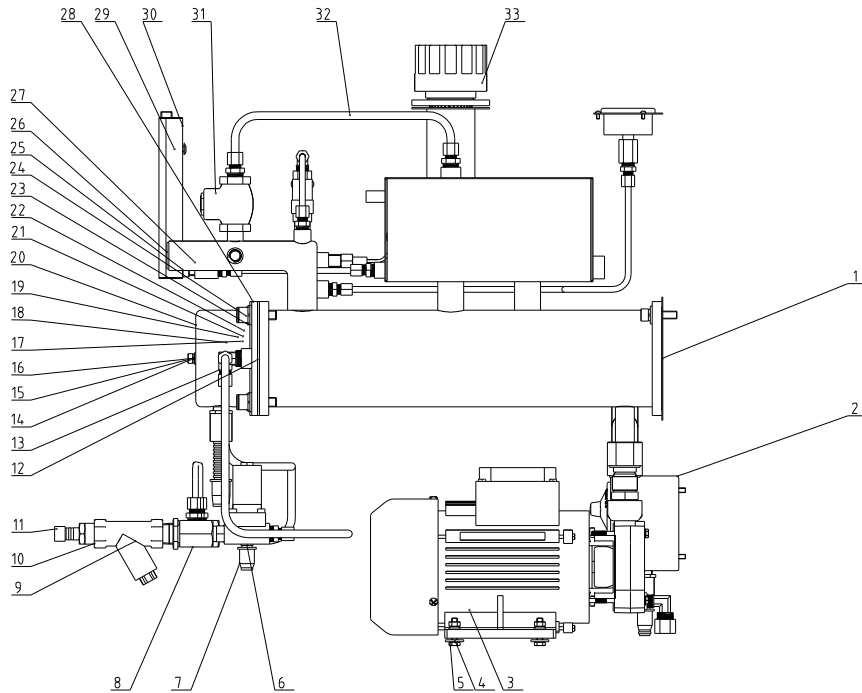
Pump Max Pressure (bar)	Max pump Flow(L/min)	Pump Power(kw)	Heater(kw)	Max Temp	Weight(kg)	Ver.
5.0	4.2	0.75	9	200°C	71	H

Inlet /Outlet Size CE PT female thread (inch)	Cooling Method	Main/Sub Oil Tank(L)	Heating Tank Number
3/4	Indirect Cooling	6/3.2	1

2	STM-910-B-ALL	Internal structure		1	
1	STM-607-A-ALL	Shell metal plate		1	
No.	Material number	Name	Mat.	Num.	Remarks

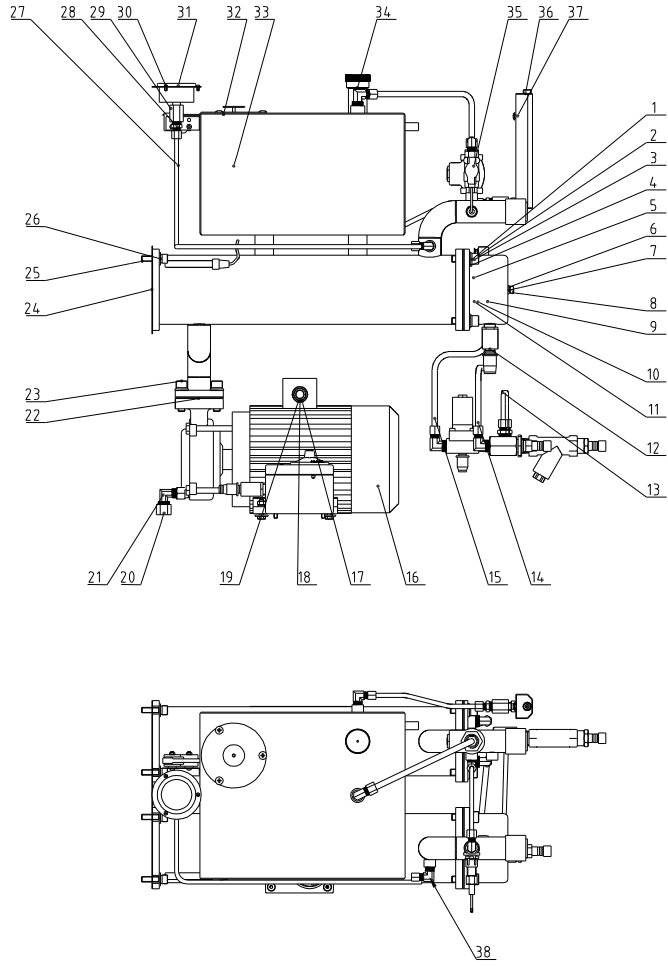
					制图	版号
					设计	核准
					校对	日期
标记	更改前	更改后	更改人	日期	审核	日期

标题	STM-910	图号	STM-910-ALL	比例	数量
	油式模温机				材质
信易电热机械股份有限公司 Shini Plastics Technologies, Inc.				表面要求	
				物料号	



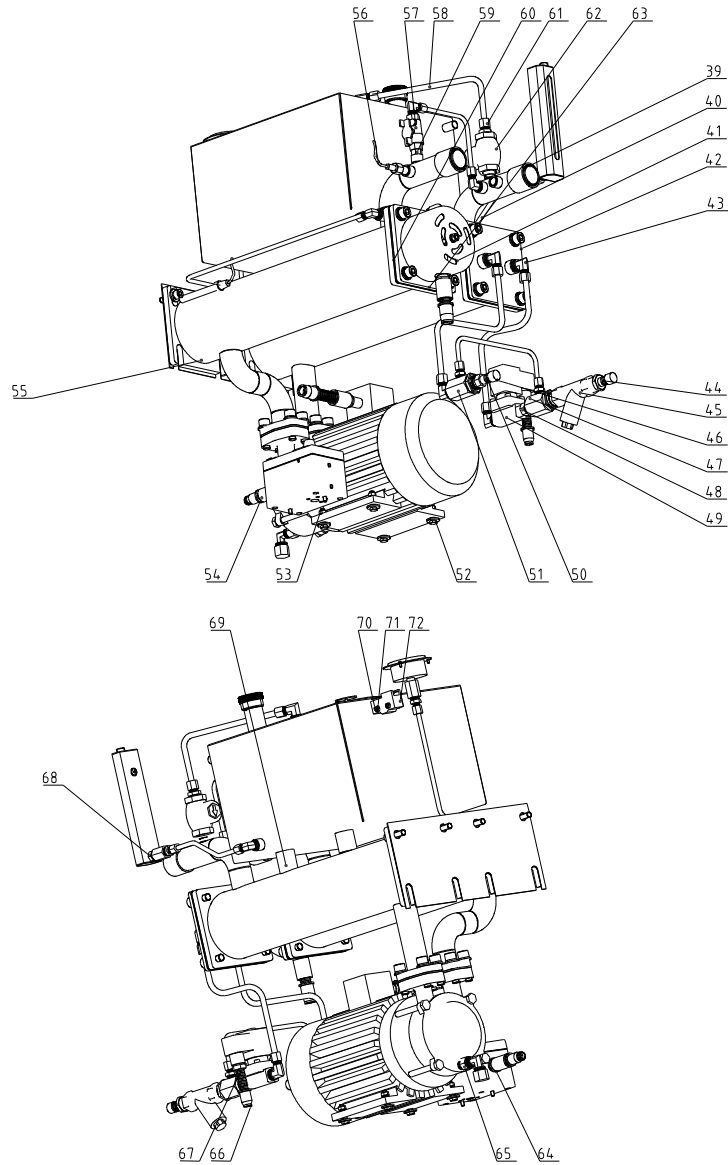
33	YW90002300000	Oil cover		1	Assembly
32	STM-607-B-13	Reverse air suction pipe	SUS304	1	
31	YW59308000600	Swing check valve 3/8"	Cu	1	KITZ
30	S-60-ALL	Level detector assembly		1	Assembly
29	YW62051000100	Large cross socket flat head screw M5x10	Q235A	3	JIS1111
28	STM-607-B-04	Cooling pipe assembly		1	Welding parts Borrowed
27	BH12060701710	H to PT connector	H58	2	Female thread 1/4"PT to female thread 1/4" H
26	YR40251500100	Plastic plug without nut	PVC	2	SM25x15(Black)
25	S-82	Level detector nut	H62	1	1/4" H
24	YW65010000000	Standard spring washer 10	65Mn	8	GB/T93
23	YW66102000100	Flat washer A grade 10	Q235A	8	GB/T97.1 (11x20x2)
22	YR30000400100	Rubber plug 1/2" single hole red	PVC	6	
21	YW66051300000	Flat washer A grade 5	Q235A	16	GB/T97.1 (5.5x10x1)
20	S-190	Pipe heater cover	SPCC1.0	1	
19	YW65050000000	Standard spring washer 5	65Mn	6	GB/T93
18	YP51031640000	Safety ceramic hat 3/16	Ceramic	6	Safety ceramic hat 3/16
17	YW66523400000	Copper washer	Q235A	2	SHD-100KG(5.2x34)
16	YW64000600300	Hexagonal nut M6	Q235A	5	GB/T6170
15	YW66061300000	Flat washer A grade 6	Q235A	5	
14	YW65006000100	Standard spring washer 6	65Mn	5	GB/T93
13	YW05083800100	Sleeve connector		2	8MMX3/8"PT L-type (H59)
12	YR20121200000	Flexible graphite gasket	ISO-68	2	120x120x2.0
11	S-73	Copper insert	H62	1	M13x1/2"PT
10	YW57010200000	Y-type filter	H62	1	1/2" PT 30-35 mesh
9	YR30010200000	Copper pipe plug	Rubber	2	1/2"PT
8	S-84	Copper three-way joint 3/8"		1	Equipped with universal copper nut
7	YE67001340000	Flexible pipe blind end	PVC	2	WQEA13.0B
6	YE66001300000	Flexible conduit	PA66	2	WY-PA6AD13.0B 15m
5	YW60062500000	Hex. bolt M6x25	4 8	4	GB/T5781
4	YW66081900000	Flat washer 8	Q235A	8	8x19x2.0
3	BM20007500550	TP-75 pump	Q235A	1	
2	BH90115000050	High temp. tester		1	EGO
1	STM-607-B-09	Mounting plate insulation cotton of heating tank	Aluminum silicate	1	
No.	Material number	Name	Mat.	Num	Remarks

					制图	版号	标题	图号	比例	数量
					设计		STM-910	SIC-17W-R2-A-03	1:1	1
					校对		内部结构			材质
					审核			信易电热机械股份有限公司 Shini Plastics Technologies, Inc.	表面要求	
标记	更改前	更改后	更改人	日期	审核	日期			物料号	



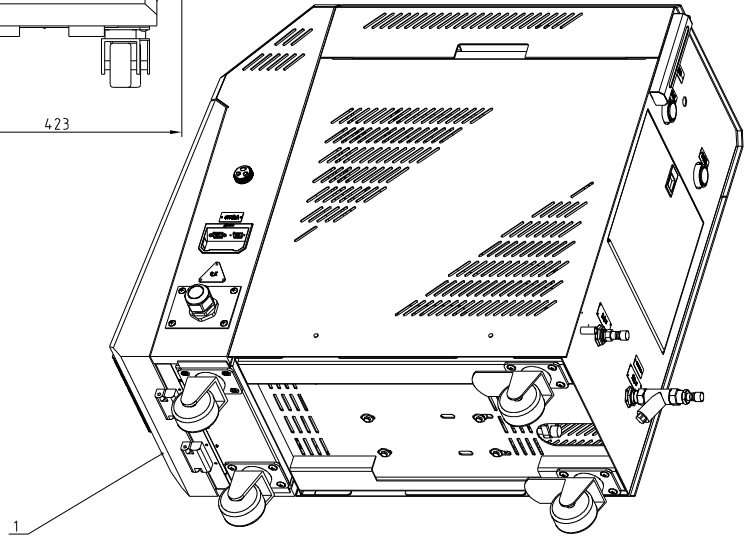
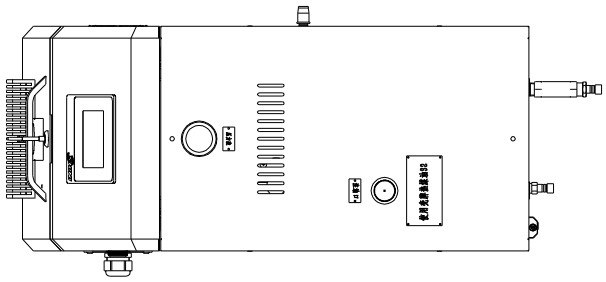
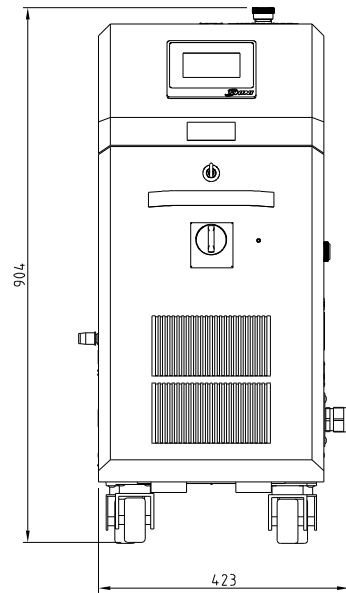
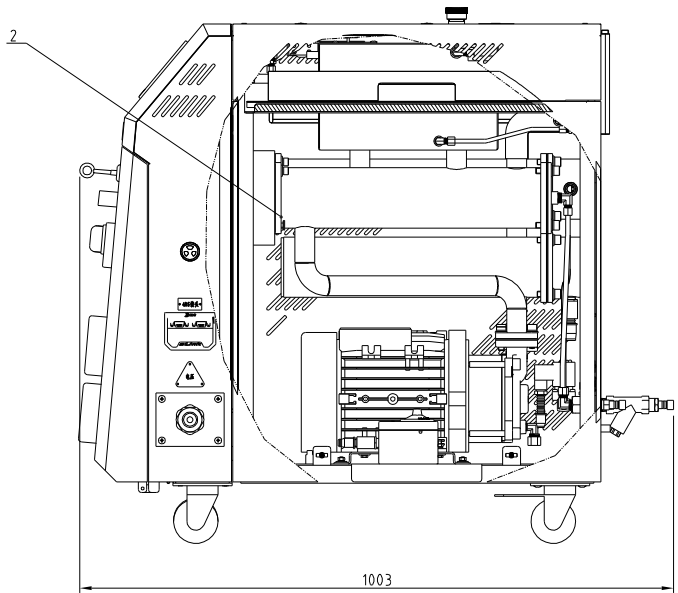
38	YW05061400100	Sleeve connector		4	6MMX1/4"PT L-type (H59)
37	YW62051000100	Large cross socket flat head screw M5x10	Q235A	6	JIS1111
36	S-60-ALL	Level detector assembly		1	Assembly
35	STM-1220-B-08	Hot oil bypass pipe	SUS304	1	
34	S-30	Aluminum oil cap	YL-112	1	3/4"G female thread
33	STM-1220-A-09	Ball		1	Welding parts
32	YE14152400000	Micro switch		1	LXW5-1124 rod length 100mm
31	YW85001000100	Pressure gauge		1	0~10MPa Range
30	YW63030600000	Cross recessed pan head screwM3x6	Q235A	3	GB/T-823
29	BH12060701710	H to PT connector	H58	2	Female thread 1/4"PT to female thread 1/4"TH
28	YW05061400000	Sleeve connector		4	6MMX1/4"PT(H59)
27	STM-1220-B-04	Pressure gauge	SUS304	1	
26	YW65008000100	Standard spring washer 8	65Mn	4	GB/T93
25	YW61083000000	Inner hexagon cylinder screw M8x30		12.9	4 GB/T70.1
24	STM-1220-B-10	Mounting plate insulation cotton of heating tank	Aluminum silicate	1	
23	YW61103500000	Inner hexagon cylinder screw M10x35		12.9	8 GB/T70.1
22	STM-1220-B-07	Graphite gasket	ISO-68	2	
21	YW04030800400	Teflon connector	H58	1	1/4"PTx3/8"H L
20	S-171	Teflon plug	H58	1	3/8"H plug
19	YE67111000000	Quick connector of hose	PVC	1	WQG1-P11B
18	YE66015800000	Flexible conduit	PA66	2	WY-PA6AD15 8B 1.3m
17	YE67015800100	Flexible pipe blind end	PVC	2	WQEA015 8B
16	TP-150	Pump	Q235A	1	TP-150 Anno
15	STM-1220-B-05	Cooling pipe inlet pipe	SUS304	1	
14	STM-1220-B-09	Cooling pipe outlet pipe	SUS304	1	
13	STM-1220-B-06	Cooling water bypass pipe	SUS304	1	
12	YE67165800000	Quick connector of hose	PVC	1	WQG1-M16B/AD15 8
11	YW66051300000	Flat washer A grade 5	Q235A	16	GB/T97.1 (5.5x10x1)
10	YW65050000000	Standard spring washer 5	65Mn	6	GB/T93
9	YP51031640000	Safety ceramic hat 3/16	Ceramic	6	Safety ceramic hat 3/16
8	YW64000600300	Hexagonal nut M6	Q235A	5	GB/T6170
7	YW66061300000	Flat washer A grade 6	Q235A	5	
6	YW65006000100	Standard spring washer 6	65Mn	5	GB/T93
5	YR30000400100	Rubber plug 1/2" single hole red	PVC	6	
4	YW66102000100	Flat washer A grade 10	Q235A	16	GB/T97.1 (11x20x2)
3	YW66523400000	Copper washer	Q235A	2	SHD-100KG(S.2x34)
2	YW61103000100	Inner hexagon cylinder screw M10x30		12.9	8 GB/T70.1
1	YW65010000000	Standard spring washer 10	65Mn	16	GB/T93
No.	Material number	Name	Mat.	Num	Remarks

					制图	版号	标题	图号	比例	数量
					设计	核准	STM-1220	STM-1220-B-ALL	1:1	材质
					校对		内部结构			
					审核		SHINI	信易电热机械股份有限公司 Shini Plastics Technologies, Inc.	表面要求	
标记	更改前	更改后	更改人	日期	审核	日期			物料号	



72	S-109	Liquid level switch insulation gasket	3-60	2	Aramid fiber production(has mould)
71	YW64000400500	Hexagonal nut M4	A2-70	14	GB/T6170
70	YW63042500000	Cross recessed pan head screw Mx25	Q235A	2	GB/T-823
69	STM-1220-B-01	Cooling tank and oil tank		1	Welding parts
68	S-82	Level detector nut	H62	1	1/4"H
67	YE66001300000	Flexible conduit	PA66	2	WY-PA6AD13 0B 1.5m
66	YE67001340000	Flexible pipe blind end	PVC	2	W0EAD13 0B
65	STM-907HT-B-17	lengthened screw of oil discharge	H58	1	Borrowed
64	BH90115000050	over temperature protection EGO		1	EGO 50-300t
63	STM-1215HT-B-03	Pipe heater assembly		1	Welding parts Borrowed
62	YW59308000600	Swing check valve 3/8"	Cu	1	KITZ
61	YW05083800000	Sleeve connector		1	8MMX3/8"PT (H59)
60	YR20121200000	Flexible graphite gasket	ISO-68	2	120x120x2.0
59	S-08	Pipe coupler	H58	1	1/4"PTx1/4"PT
58	STM-1220-B-19	Reverse air suction pipe	SUS304	1	
57	YW50220000000	Butterfly ball valve	SUS304	1	1/4" heat-resistant 200t
56	BE90341500050	Thermocouple	SUS304	1	15M
55	STM-1220-B-02	Heating tank		1	Welding parts
54	YE67109000000	Quick connector of hose	PVC	1	WQG1-P09B
53	YW60062500000	Hex bolt M6x25	4-8	4	GB/T5781
52	YW66081900000	Flat washer 8	Q235A	8	8x19x2.0
51	S-84	Copper three-way joint 3/8"		1	Equipped with universal copper nut
50	S-85	Copper insert	H58	1	3/8"PTx*13
49	YE32213100000	Solenoid valve		1	3/8IKailingJ220VAC
48	S-07	Copper pipe coupler	H58	1	3/8"PTx3/8"PT
47	S-142	Copper joint fourth set		1	
46	YR30010200000	Copper pipe plug	Rubber	2	1/2"PT
45	YW57010200000	Y-type filter	H62	1	1/2" PT 30-35 mesh
44	S-73	Copper insert	H62	1	M13x1/2"PT
43	YW05083800100	Sleeve connector		5	8MMX3/8"PT L-type (H59)
42	STM-607-B-04	Cooling pipe assembly		1	Welding parts Borrowed
41	S-190	Pipe heater cover	SPCC1.0	1	
40	STM-1220-B-03	Level detector pipe	SUS304	1	
39	YR40251500100	Plastic plug without nut	PVC	2	SM25x15(Black)
No	Material number	Name	Mat	Num	Remarks

					制图	版号	标题	图号	比例	数量
					设计	核准	内部结构	STM-1220-B-ALL		材质
					校对			信易电热机械股份有限公司 Shini Plastics Technologies, Inc.	表面要求	
标记	更改前	更改后	更改人	日期	审核	日期			物料号	

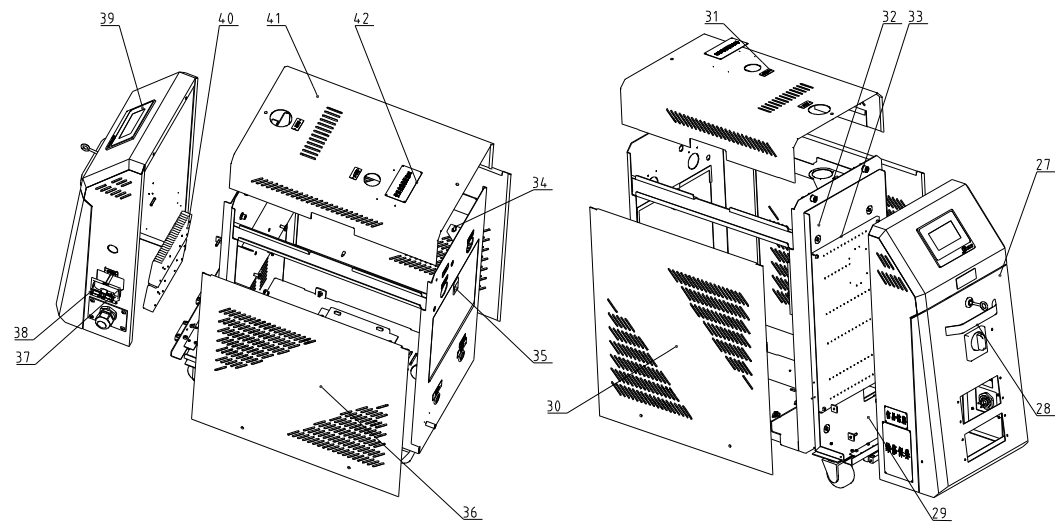
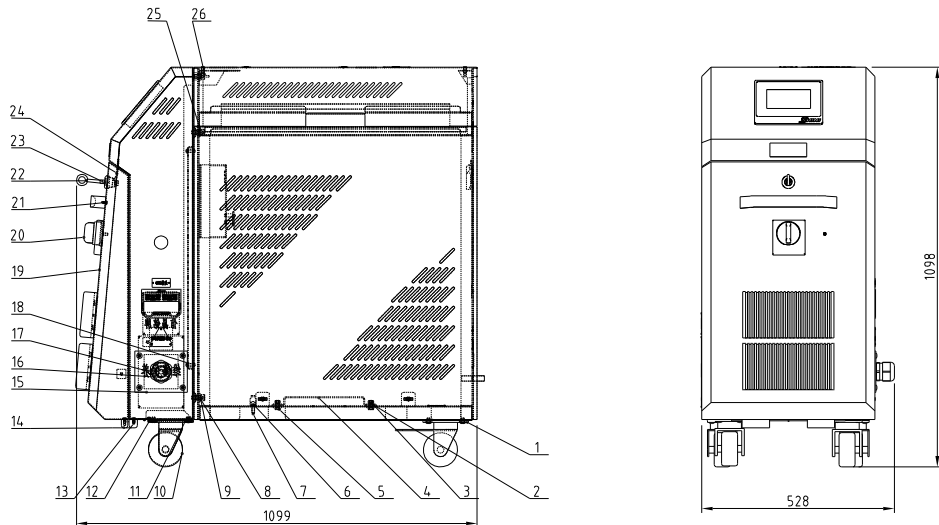


Pump Max Pressure (bar)	Max. pump Flow(L/min)	Pump Power(kW)	Heater(kW)	Max. Temp (°C)	Weight(kg)	Ver.
8.0	90	2.8	24	200°C	145	F
Inlet /Outlet Size (G PT female thread (inch))			Cooling Method	Main/Sub.Oil Tank(L)		Heating Tank Number
1/1			Indirect Cooling	11/16		2

2	STM-2440-B-ALL	Internal structure		1	
1	STM-2440-A-ALL	Shell metal plate		1	
No.	Material number	Name	Mat.	Num	Remarks

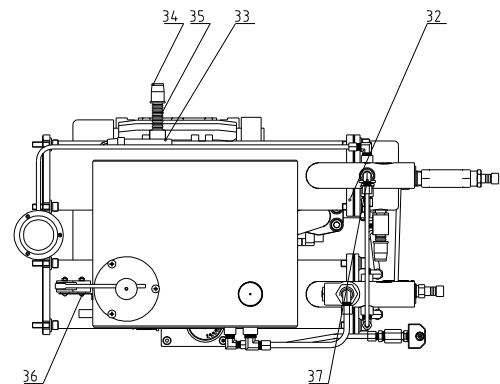
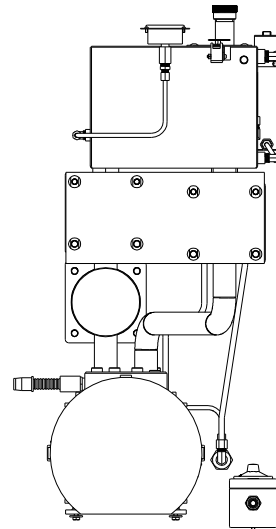
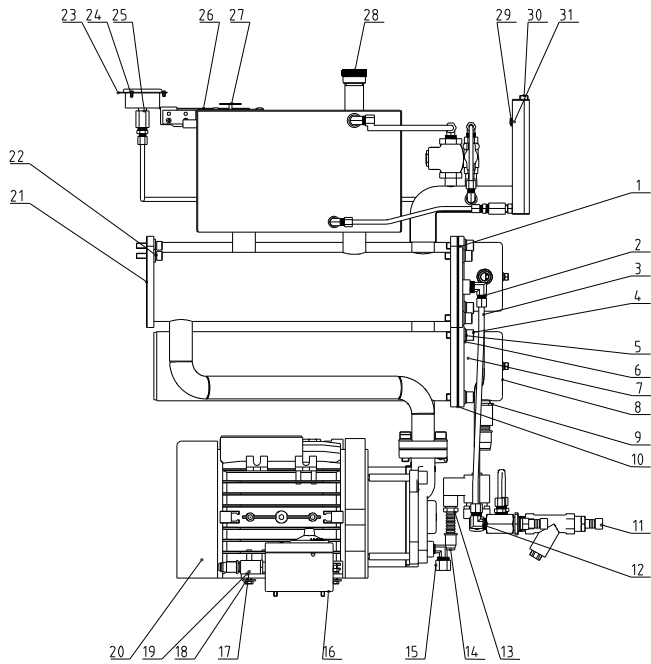
					制图	版号
					设计	核准
					校对	日期
标记	更改前	更改后	更改人	日期	审核	日期

标题	STM-2440	图号	STM-2440-ALL	比例	数量
	油式模温机				材质
信易电热机械股份有限公司 Shini Plastics Technologies, Inc.				表面要求	
				物料号	



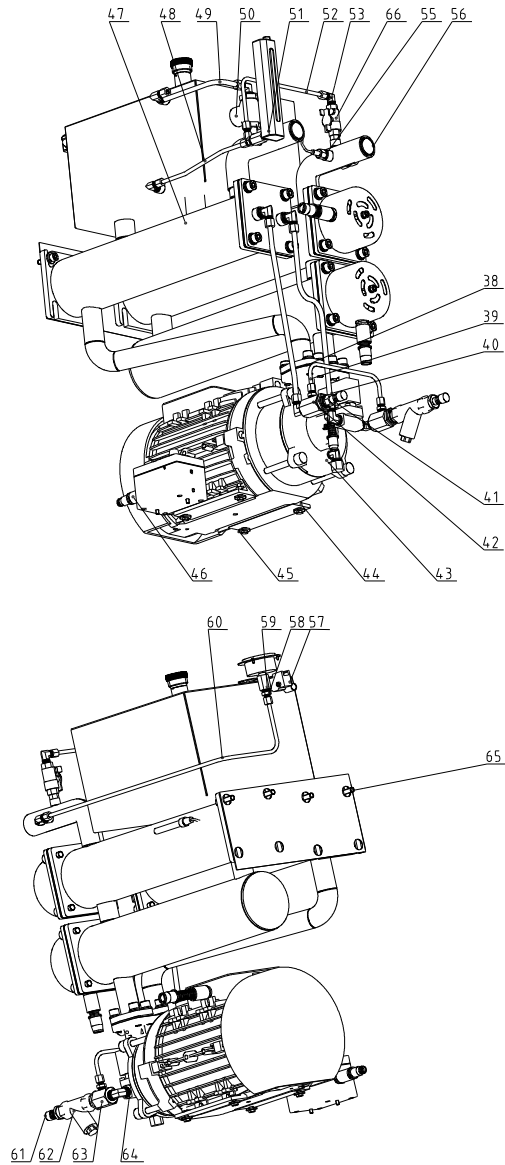
42	YP31118600600	Aluminum label	2024	1	Using Shell heat medium oil S2 (for domestic sales)
41	STM-2440-A-08	Cover plate		1	Welding parts
40	YW90120700000	Aluminum cooler	6061	2	
39		STM controller		1	
38	YE90048501200	RS485 Communication interface board		1	
37	YR40048500000	Shell RS485		1	
36	STM-2440-A-06	Left side plate		1	Welding parts
35	YR40523040000	Plastic flexible buckle	PVC	1	52x30 has mould
34	YW01051000000	Pin spring	65Mn	6	for new model of STM
33	STM-2440-A-04	Control box bottom plate	SECC1.5	1	
32	STM-2440-A-02	Control box rear plate		1	Welding parts
31	YW69020500000	Rivet 2x5	2024	33	GB/T 827
30	STM-2440-A-01	Right side plate		1	Welding parts
29	STM-2440-A-07	Rack		1	Welding parts
28	YW20660900100	Door plank aluminum handle	2024	1	6609(Yaxuan)
27	STM-2440-A-03	Control box		1	Welding parts
26	YW69081500000	Butterfly bolt M8x15	Q235A	2	GB/T 3098
25	YW66081900000	Flat washer 8	Q235A	14	8x19x2.0
24	YW00040600000	Door lock long fender	SUS201	1	MF-406-DH
23	YW00000000100	Long door lock	PVC	1	
22	YW00040600200	Long door lock key	SUS201	1	CF-406-DH
21	YW63040600000	Cross recessed pan head screw M4x6	Q235A	2	GB/T-823
20	YE10021160000	Main power switch	PVC	1	TO-2-1/EA/SVB/16AMule
19	STM-2440-A-05	Door plank		1	Welding parts
18	YW61061600100	Inner hexagon flat head screw M6x16	Q235A	4	GB/T702
17	YE67002900000	Cable clamp	PVC	1	
16	BE51250400450	Cable		1	2.5x4x4M(Tubular terminal)Select based on voltage
15	SG-S-01	Wire fixture fixed plate	SPCC2.0	1	
14	YW06219100000	Big hinge	2024	2	ShengjiuCL219-1
13	YW62051000100	Large cross socket flat head screw M5x10	Q235A	12	JIS1111
12	YW670406000600	Cross socket pan head self-tapping lock screw M4x6	Q235A	5	GB6560
11	YW62061000000	Large cross socket flat head screw M6x10	Q235A	16	JIS1111
10	YW03000300200	3" without brake Castor	Q235A	2	
9	YW65008000100	Standard spring washer 8	65Mn	6	GB/T193
8	YW61082001200	Inner hexagon cylinder screw M8x20	12 9	4	GB/T70.1
7	YW67481900000	Cross socket head tapping screw	Q235A	1	GB/T15856.1
6	YR40018500000	Fixed base	PVC	1	WQSAD18 5B
5	YW60061500100	Hex bolt M6x16	12 9	4	GB/T5783
4	STM-2440-A-10	Pump fixed plate	SPCC2.5	1	
3	YW64000600300	Hexagonal nut M6	Q235A	4	GB/T6170
2	YW65006000100	Standard spring washer 6	65Mn	4	GB/T193
1	YW03000300000	3"with brake Castor	Q235A	2	
No	Material number	Name	Mat	Num	Remarks

制图	版号	标题	STM-2440	图号	STM-2440-A-ALL	比例	数量
设计	核准	外壳钣金					材质
校对	日期	信易電熱機械股份有限公司 Shini Plastics Technologies, Inc.		表面要求		物料号	
标记	更改前			更改后	更改人	日期	审核



37	S-08	Pipe coupler	H58	1	1/4"PTx1/4"PT
36	YW63042500000	Cross recessed pan head screwM4x25	Q235A	2	GB/T-823
35	YE66015800000	Flexible conduit	PA66	3	WY-PA6AD15 8B 13m
34	YE67015800100	Flexible pipe blind end	PVC	3	WQEAD15 8B
33	YE67111000000	Quick connector of hose	PVC	1	WQG1-P11B
32	STM-2440-B-02	Heating tank		1	Welding parts
31	YW62051000100	Large cross socket flat head screw M5x10	Q235A	6	JIS1111
30	S-60-ALL	Level detector assembly		1	Assembly
29	YW66051300000	Flat washer A grade 5	Q235A	1	GB/T97.1 (5.5x10x1)
28	S-30	Aluminum oil cap	YL-112	1	3/4"G female thread
27	STM-2440-A-09	Flange		1	Welding parts
26	YE14152400000	Mounting plate		1	LXW5-1124 total length 100mm
25	BH12060701710	H to PT connector	H58	2	Female thread 1/4"PT to female thread 1/4"TH
24	YW63030600000	Cross recessed pan head screwM3x6	Q235A	3	GB/T-823
23	YW85001000100	Pressure gauge		1	0-10MPa Flange
22	YW65008000100	Standard spring washer 8	65Mn	4	GB/T93
21	STM-2440-B-10	Mounting plate insulation cotton of heating tank	Aluminum silicate	1	
20	TP-280	Flange	Q235A	1	2.8kw flange
19	YW66061300000	Flat washer A grade 6	Q235A	6	
18	YW60062500000	Hex bolt M6x25	4-8	4	GB/T5781
17	YW64000600300	Hexagonal nut M6	Q235A	6	GB/T6170
16	BH90115000050	High temp. tester		1	EGO
15	S-171	Teflon plug	H58	1	3/8" H plug
14	YE67001340000	Flexible pipe blind end	PVC	2	WQEAD13.0B
13	YE66001300000	Flexible conduit	PA66	2	WY-PA6AD13.0B 1.5m
12	YE32382400000	Solenoid valve 24V		1	3/8PT (Kaiting)
11	S-73	Copper insert	H62	1	M13x1/2"PT
10	YR20121200000	Flexible graphite gasket	ISO-68	3	120x120x2.0
9	YE67165800000	Quick connector of hose	PVC	2	WQG1-M16B/AD15.8
8	S-190	Pipe heater cover	SPCC1.0	2	
7	STM-2440-B-07	Assembled pipe heater assembly		2	Assembly
6	YW66102000100	Flat washer A grade 10	Q235A	20	GB/T97.1 (11x20x2)
5	YW65010000000	Standard spring washer 10	65Mn	20	GB/T93
4	YW61103000100	Inner hexagon cylinder screw M10x30	12.9	21	GB/T70.1
3	STM-2440-B-09	Water outlet of cooling tank's cooling pipe	SUS304	1	
2	YW05083800100	Sleeve connector		6	8MMX3/8"PT L-type (H59)
1	STM-607-B-04	Cooling pipe assembly		1	Welding parts Borrowed
No	Material number	Name	Mat.	Num.	Remarks

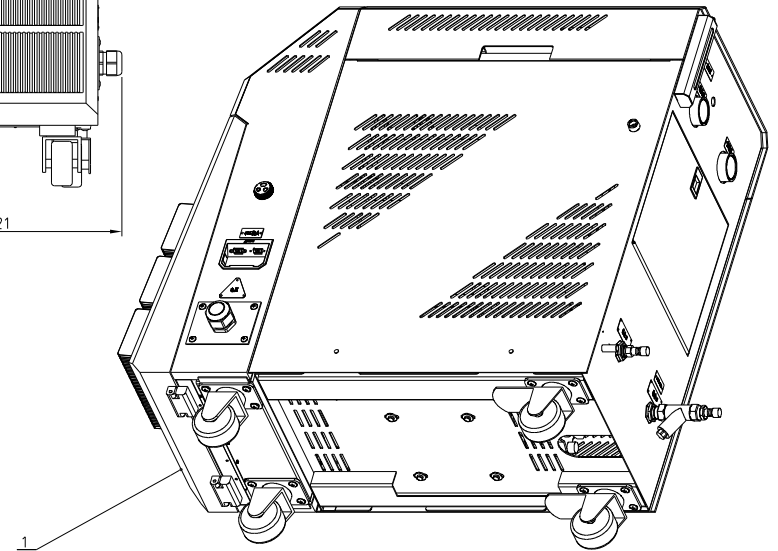
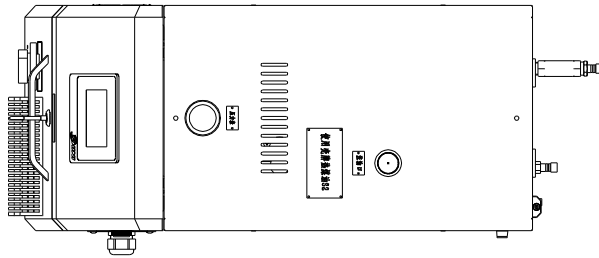
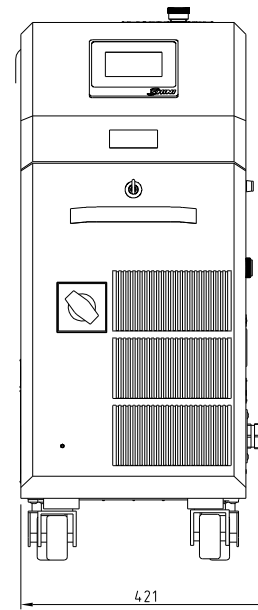
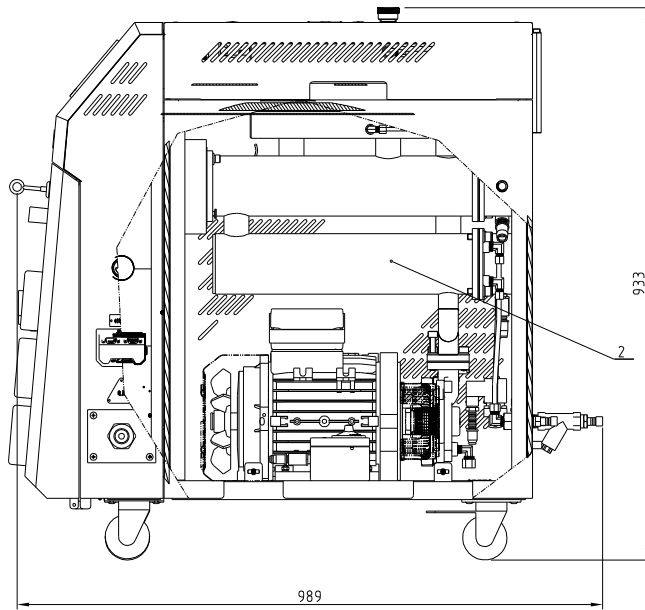
					制图	版号	标题	图号	比例	数量
					设计		STM-2440	STM-2440-B-ALL	1:1	1
					校对		内部结构			材质
					审核			信易电热机械股份有限公司 Shini Plastics Technologies, Inc.	表面要求	
标记	更改前	更改后	更改人	日期	审核	日期			物料号	



66	YW5022000000	Butterfly ball valve	SUS304	1	1/4" heat-resistant 200t
65	YW6108300000	Inner hexagon cylinder screw M8x30	12.9	4	GB/T70 1
64	YW59383800100	Pipe coupler	SUS304	1	3/8"PT×3/8"PT L
63	S-142	Copper joint fourth set		1	
62	YW57010200000	Y-type filter	H62	1	1/2" PT 30-35 mesh
61	YR30010200000	Copper pipe plug	Rubber	2	1/2"PT
60	STM-2440-B-04	Pressure gauge	SUS304	1	
59	YW64000400500	Hexagonal nut M4	A2-70	2	GB/T6170
58	YW05061400000	Sleeve connector		4	6MMX1/4"PT(H59)
57	S-109	Liquid level switch insulation gasket	3-60	2	Aramid fiber production(has mould)
56	YR40251500100	Plastic plug without nut	PVC	2	SM25×15(Black)
55	BE90342500050	Thermocouple	SUS304	1	2.5M
53	YW05061400100	Sleeve connector		4	6MMX1/4"PT L-type (H59)
52	STM-2440-B-08	Oil bypass	SUS304	1	
51	S-82	Level detector nut	H62	1	1/4" H
50	YW59308000600	Swing check valve 3/8"	Cu	1	KITZ
49	STM-2440-B-15	Reverse air suction pipe	SUS304	1	
48	STM-2440-B-03	Level detector pipe	SUS304	1	
47	STM-2440-B-01	Cooling Tank		1	Welding parts
46	YE67109000000	Quick connector of hose	PVC	1	WQG1-P09B
45	YW66081900000	Flat washer 8	Q235A	8	8×19×2.0
44	YW65006000100	Standard spring washer 6	65Mn	6	GB/T93
43	YW04030800400	Tonflon connector	H58	1	1/4"PT×3/8"HL
42	S-84	Copper three-way joint 3/8"		1	Equipped with universal copper nut
41	S-85	Copper insert	H58	1	3/8"PT×13
40	STM-2440-B-05	Water inlet of cooling tank's cooling pipe	SUS304	1	
39	STM-2440-B-06	Water outlet of Oil tank's cooling pipe	SUS304	1	
38	YR10150000000	Flange gasket	ISO-68	2	TP-150-A-18(has mould)
No	Material number	Name	Mat	Num	Remarks

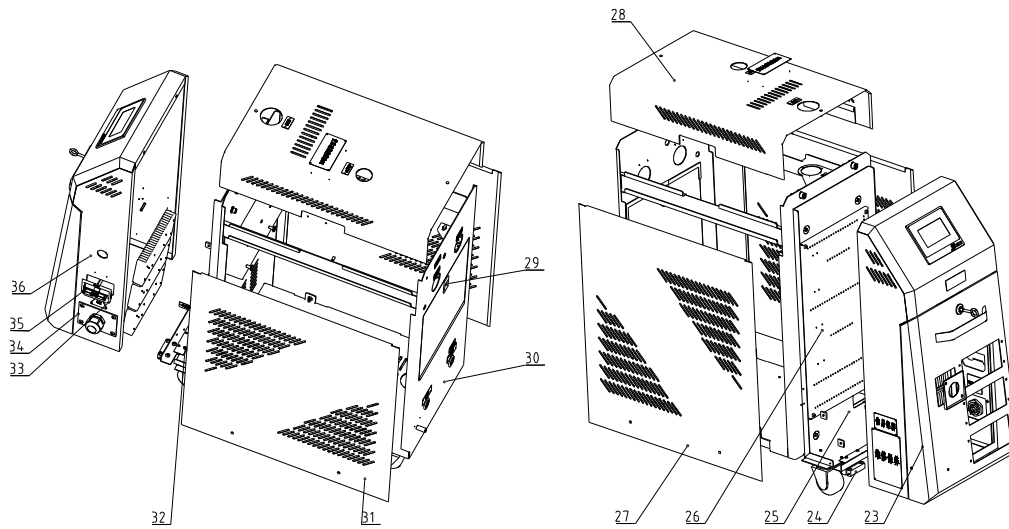
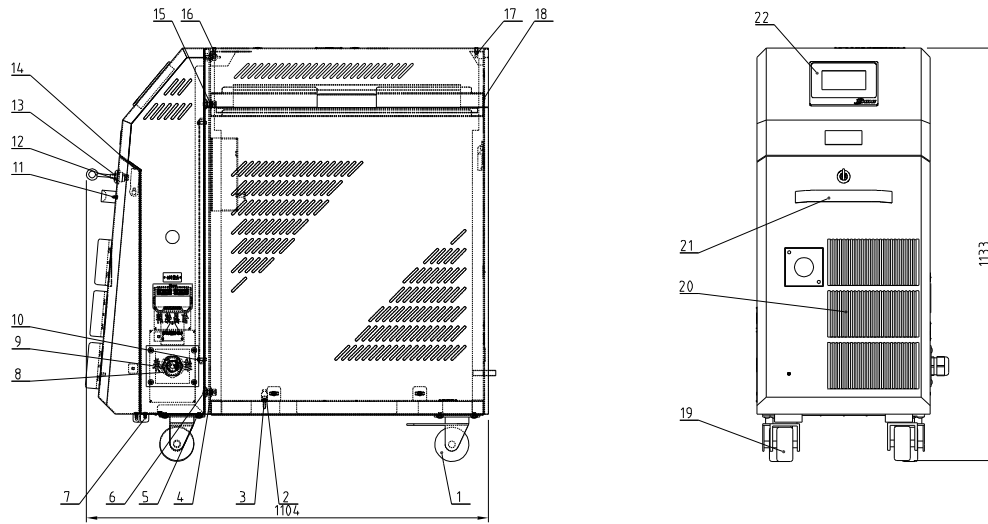
					制图	版号	标题	图号	比例	数量
					设计	核准	内部结构	STM-2440-B-ALL	1:1	1
					校对		信易电热机械股份有限公司 Shini Plastics Technologies, Inc.		表面要求	材质
标记	更改前	更改后	更改人	日期	审核	日期				物料号

Pump Max Pressure (bar)	Max. pump Flow(L/min)	Pump Power(kW)	Heater(kW)	Max. Temp	Weight(kg)	Ver.
8.0	100	4	36	200°C	155	F
Inlet /Outlet Size CE PT female thread (inch)			Cooling Method	Main/Sub.Oil Tank(L)		Heating Tank Number
1 1/2			Indirect Cooling	14 / 16		3



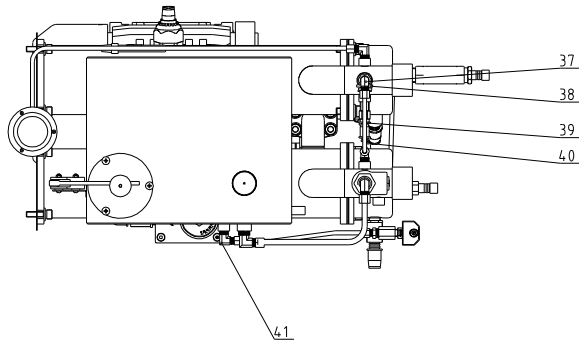
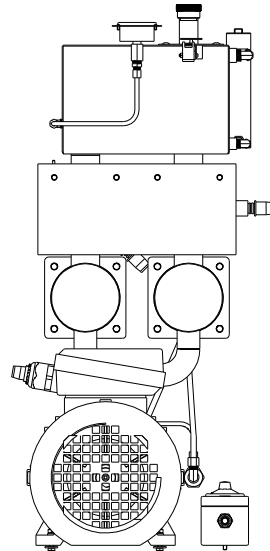
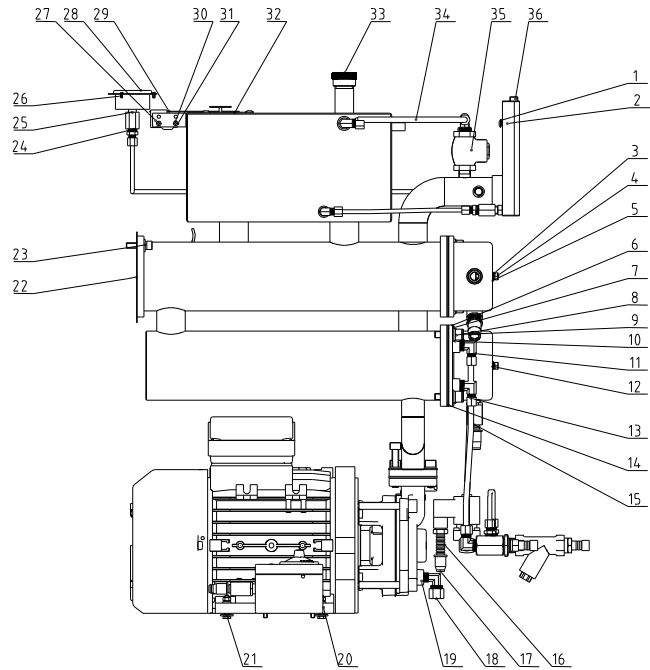
2	STM-3650-B-ALL	Internal structure		1	
1	STM-3650-A-ALL	Shell metal plate		1	
No.	Material number	Name	Mat.	Num	Remarks

					制图	版号	标题	STM-3650	图号	比例	数量	
					设计	核准	油式模温机			1:1	材质	
					校对		 信易電熱機械股份有限公司 Shini Plastics Technologies, Inc.			表面要求		
标记	更改前	更改后	更改人	日期	审核	日期					物料号	



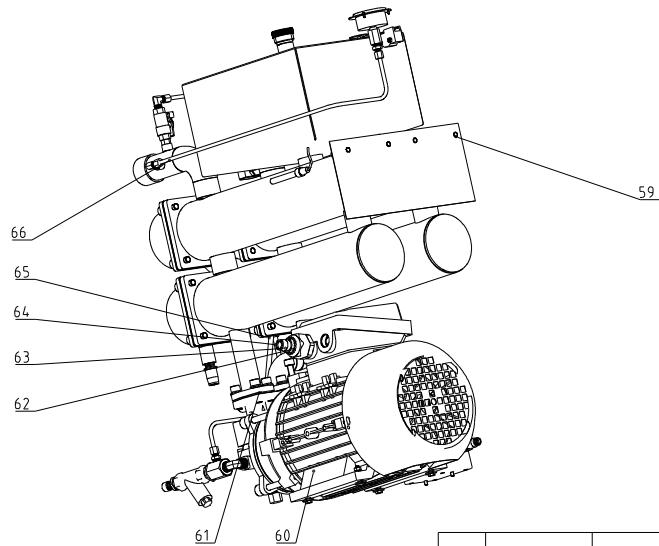
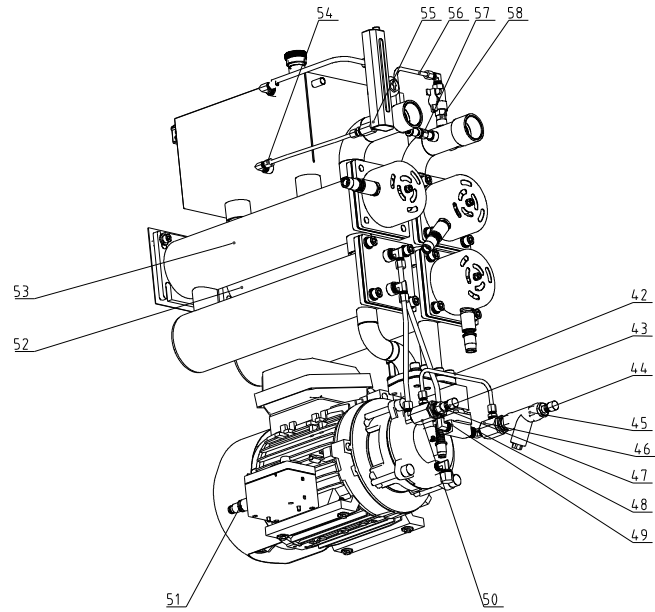
36	STM-3650-A-03	Control box		1		Welding parts
35	YE90048501200	RS485 Communication interface board		1		
34	SG-S-01	Wire fixture fixed plate	SPCC2.0	1		
33	YR40048500000	Sheet RS485		1		
32	YW67040600600	Cross socket pan head self-tapping lock screw M4x6	Q235A	5		GB6560
31	STM-3650-A-06	Left side plate		1		Welding parts
30	STM-3650-A-01	Rack		1		Welding parts
29	YR40523040000	Plastic flexible buckle	PVC	1		52x30 has mould
28	STM-3650-A-08	Cover plate		1		Welding parts
27	STM-3650-A-07	Right side plate		1		Welding parts
26	STM-3650-A-04	Control box bottom plate	SECC1.5	1		
25	STM-3650-A-02	Control box rear plate		1		Welding parts
24	YW06219100000	Big hinge	2024	2		ShengjuCL219-1
23	STM-3650-A-05	Door plank		1		Welding parts
22		STM controller		1		
21	YW20660900100	Door plank aluminum handle	2024	1		6609(Yaxuan)
20	YW90120700000	Aluminum cooler	6061	3		
19	YW03000300200	3" without brake Castor	Q235A	2		
18	YW69020500000	Rivet 2x5	2024	39		GB/T 827
17	YW01051000000	Pin spring	65Mn	6		for new model of STM
16	YW69081500000	Butterfly bolt M8x15	Q235A	2		GB/T 3098
15	YW66081900000	Flat washer 8	Q235A	6		8x19x2.0
14	YW00040600000	Door lock long fender	SUS201	1		MF-406-DH
13	YW00040600200	Long door lock key	SUS201	1		CF-406-DH
12	YW00000000100	Long door lock	PVC	1		
11	YW63040600000	Cross recessed pan head screw M4x6	Q235A	2		GB/T-823
10	YW61061600100	Inner hexagon flat head screw M6x16	Q235A	4		GB/T170.2
9	YE67002900000	Cable clamp	PVC	1		
8	BE512504.00450	Cable		1		25x4x4M Tubular terminal>Select based on voltage
7	YW62051000100	Large cross socket flat head screw M5x10	Q235A	12		JIS1111
6	YW61082001200	Inner hexagon cylinder screw M8x20	12.9	4		GB/T170.1
5	YW62061000000	Large cross socket flat head screw M6x10	Q235A	16		JIS1111
4	YW65008000100	Standard spring washer 8	65Mn	6		GB/T193
3	YW674.819000000	Cross socket head tapping screw	Q235A	1		GB/T15856.1
2	YR40018500000	Fixed base	PVC	1		WQSAD18.5B
1	YW03000300000	3" with brake Castor	Q235A	2		
No	Material number	Name	Mat	Num	Remarks	

					制图	版号	标题	图号	比例	数量
					设计	核	STM-3650	STM-3650-A-ALL	1:1	1
					校		外壳钣金			
					对	准	SHINI	信易电热机械股份有限公司 Shini Plastics Technologies, Inc.	表面要求	材质
标记	更改前	更改后	更改人	日期	审核					



41	BH90115000050	High temp. tester		1	EGO
40	YE66001040000	Flexible conduit	nylon 66	1	WY-PA6AD10 0B 13m
39	YE67001000000	Flexible pipe blind end	PVC	2	WGEAD10 0B
38	YW50220000000	Butterfly ball valve	SUS304	1	1/4" heat-resistant 200t
37	YW05061400100	Sleeve connector		4	6MMX1/4"PT L-type (H59)
36	S-60-ALL	Level detector assembly		1	Assembly
35	YW59308000600	Swing check valve 3/8"	Cu	1	KITZ
34	STM-3650-B-17	Reverse air exhaust pipe	SUS304	1	
33	S-30	Aluminum oil cup	YL-112	1	3/4"G female thread
32	STM-3650-A-09	Bell		1	Welding parts
31	YW63042500000	Cross recessed pan head screwM4x25	Q235A	2	GB/T-823
30	YW64000400500	Hexagonal nut M4	A2-70	2	GB/T6170
29	YE14152400000	Micro switch		1	LXWS-1124 total length 100mm
28	YW85001000100	Pressure gauge		1	0-10MPa Range
27	S-109	Liquid level switch insulation gasket	3-60	2	Aramid fiber production(has mould)
26	YW63030600000	Cross recessed pan head screwM3x6	Q235A	3	GB/T-823
25	BH12060701710	H to PT connector	H58	2	Female thread 1/4"PT to female thread 1/4"IN
24	YW05061400000	Sleeve connector		4	6MMX1/4"PT(H59)
23	YW65008000100	Standard spring washer 8	65Mn	4	GB/T93
22	STM-3650-B-10	Mounting plate insulation cotton of heating tank	Aluminum silicate	1	
21	YW66081900000	Flat washer 8	Q235A	8	8x19x2.0
20	YW60063000000	Hex. bolt M6x30	4.8	4	GB/T5781
19	YW04030800400	Tonflon connector	H58	1	1/4"PTx3/8"HL
18	S-171	Teflon plug	H58	1	3/8"H plug
17	YE67001340000	Flexible pipe blind end	PVC	2	WGEAD13 0B
16	YE66001300000	Flexible conduit	PA66	2	WY-PA6AD13 0B 15m
15	YE67165800000	Quick connector of hose	PVC	3	WQG1-M16B/AD15.8
14	YR20121200000	Flexible graphite gasket	ISO-68	4	120x120x2.0
13	STM-3650-B-09	Water outlet of cooling tank's cooling pipe	SUS304	1	
12	S-190	Pipe heater cover	SPCC10	3	
11	YW05083800100	Sleeve connector		6	8MMX3/8"PT L-type (H59)
10	YW66102000100	Flat washer A grade 10	Q235A	20	GB/T97.1 (11x20x2)
9	YW61103000100	Inner hexagon cylinder screw M10x30	12.9	21	GB/T70.1
8	YW65010000000	Standard spring washer 10	65Mn	20	GB/T93
7	STM-3650-B-07	Assembled pipe heater assembly		3	Assembly
6	STM-607-B-04	Cooling pipe assembly		1	Welding parts Borrowed
5	YW66061300000	Flat washer A grade 6	Q235A	7	
4	YW64000600300	Hexagonal nut M6	Q235A	7	GB/T6170
3	YW65000600100	Standard spring washer 6	65Mn	7	GB/T93
2	YW62051000100	Large cross socket flat head screw M5x10	Q235A	6	JIS1111
1	YW66051300000	Flat washer A grade 5	Q235A	1	GB/T97.1 (5.5x10x1)
No.	Material number	Name	Mat.	Num	Remarks

					制图	版号	标题	图号	比例	数量
					设计	核准	STM-3650	STM-3650-B-ALL	1:1	1
					校对		内部结构			材质
标记	更改前	更改后	更改人	日期	审核	日期	信易电热机械股份有限公司 Shini Plastics Technologies, Inc.		表面要求	
									物料号	



66	STM-3650-B-04	Pressure gauge pipe	SUS304	1	
65	STM-3650-B-05	Water inlet of cooling tank's cooling pipe	SUS304	1	
64	YE67015800100	Flexible pipe blind end	PVC	4	WQEA015 8B
63	YE66015800000	Flexible conduit	PA66	4	WY-PA6AD15 8B 13m
62	YE67111000000	Quick connector of hose	PVC	1	WQG1-P11B
61	YR10150000000	Flange gasket	ISO-68	2	TP-150-A-18(has mould)
60	BM20423000050	Pump		1	TP-400
59	YW61083000000	Inner hexagon cylinder screw M8x30	12 9	4	GB/T70 1
58	S-08	Pipe coupler	H58	1	1/4"PT*1/4"PT
57	BE90341500050	Thermocouple	SUS304	1	15M
56	STM-3650-B-08	Oil bypass	SUS304	1	
55	S-82	Level detector nut	H62	1	1/4"H
54	STM-3650-B-03	Level detector pipe	SUS304	1	
53	STM-3650-B-01	Cooling tank		1	Welding parts
52	STM-3650-B-02	Heating tank		1	Welding parts
51	YE67109000000	Quick connector of hose	PVC	1	WQG1-P09B
50	S-84	Copper three-way joint 3/8"		1	Equipped with universal copper nut
49	YE32213100000	Solenoid valve		1	3/8(Kailing)220VAC
48	YW59383800100	Pipe coupler	SUS304	1	3/8"PT*3/8"PT L
47	S-85	Copper insert	H58	1	3/8"PT*13
46	S-142	Copper joint fourth set		1	
45	YW57010200000	Y-type filter	H62	1	1/2" PT 30-35 mesh
44	S-73	Copper insert	H62	1	M13*1/2"PT
43	YR30010200000	Copper pipe plug	Rubber	2	1/2"PT
42	STM-3650-B-06	Water outlet of oil tank's cooling pipe	SUS304	1	
No	Material number	Name	Mat	Num	Remarks

					制图	版号	标题	图号	比例	数量
					设计	核准	STM-3650	STM-3650-B-ALL	1:1	1
					校对		内部结构			材质
					审核			信易电热机械股份有限公司 Shini Plastics Technologies, Inc.	表面要求	
标记	更改前	更改后	更改人	日期	审核	日期			物料号	