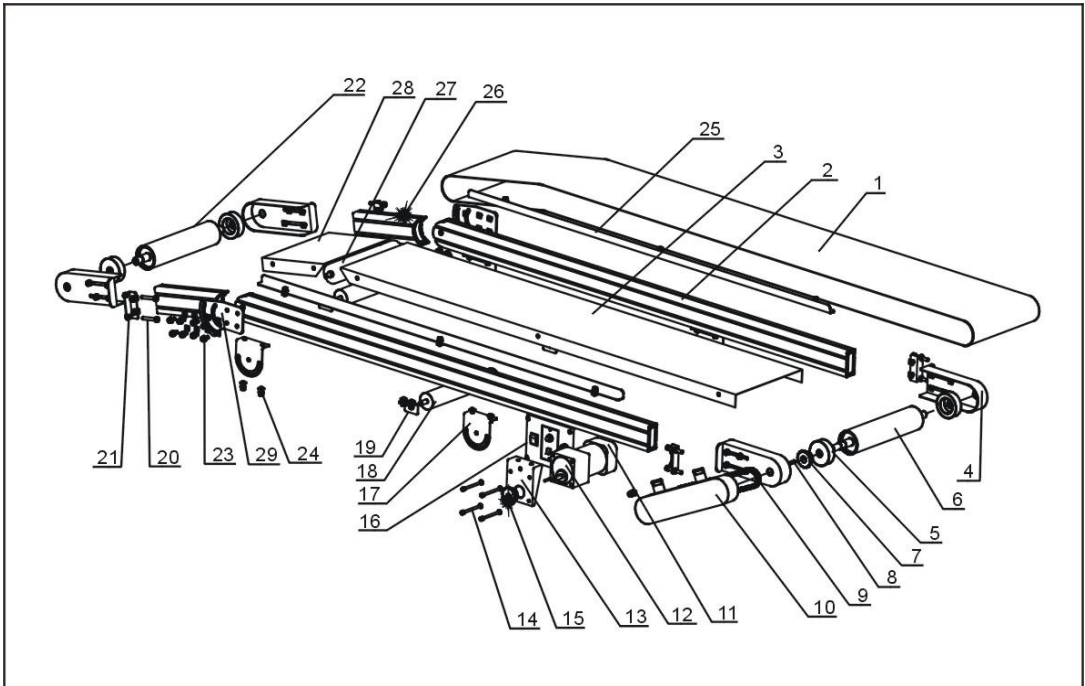


2. Working Feature and Operation

2.1 Product Explore

2.1.1 SC Explosion Figure



Picture 2-1: SC Explosion View

2.1.2 Parts List (SC)

Table 2-1: Parts List (SC-200W~400W)

No.	Name	Part number		
		SC-200W	SC-300W	SC-400W
1	Belt 2000L	YR00410260000	YR02412030000	YR00412000000
	Belt 3000L	YR00620200000	YR00613200000	YR00612400000
	Belt 4000L	YR00812000000	YR02812030000	YR00812400000
	Belt 5000L	YR00122000000	YR00101300000	YR00102420000
	Belt 6000L	YR00126000000	YR00121300000	YR00102460000
2	Top beam 1 2000L	BH76130020010	BH76130020010	BH76130020010
	Top beam 1 3000L	BH76133100010	BH76133100010	BH76133100010
	Top beam 1 4000L	BH76134000010	BH76134000010	BH76134000010
	Top beam 1 5000L	BH76135000010	BH76135000010	BH76135000010
	Top beam 1 6000L	BH76136100010	BH76136100010	BH76136100010
3	Electrolysis plate 1 2000L	BL69202000020	BL69132300020	BL69004300020
	Electrolysis plate 1 3000L	BL69231000020	BL69003300020	BL69030300020
	Electrolysis plate 1 4000L	BL69241000020	BL69003200020	BL69040400020
	Electrolysis plate 1 5000L	BL69125100020	BL69005200020	BL69014500020
	Electrolysis plate 1 6000L	BL69126100020	BL69006300020	BL69010600020
4	Belt tuning plate	BL68000200020	BL68000200020	BL68000200020
5	Bearing	-	-	-
6	Deliver wheel 2	YW08272730000	YW08722042000	YW08272460000
7	Rag wheel 1	YW08521820000	YW08521820000	YW08521820000
8	Flat key	YX70060625000	YX70060625000	YX70060625000
9	Link chains	YW08080006000	YW08080006000	YW08080006000
10	Belt cover	BL68321100020	BL68321100020	BL68321100020
11	Speed adjustment motor	YM10565200000	YM10565200000	YM10565200000
12	Speed reducer ball-bearing	-	-	-
13	Motor fixing plate	BL69327000020	BL69327000020	BL69327000020
14	Screw M6×80	-	-	-
15	Rag wheel 2	YW08521220000	YW08521220000	YW08521220000
16	Control box	BH90000000050	BH90000000050	BH90000000050

No.	Name	Part number		
		SC-200W	SC-300W	SC-400W
17	Top beam fixing plate	YW09321800000	YW09321800000	YW09321800000
18	Nonmotile deliver wheel	YW08512500000	YW08501235000	YW08512460000
19	Nonmotile deliver wheel fixing plate	YW09321200000	YW09321200000	YW09321200000
20	Screw M8×40	-	-	-
21	Belt adjust plate	YW09321300000	YW09321300000	YW09321300000
22	Deliver wheel 1	YW08729000000	YW08722039000	YW08724900000
23	Screw M8×12	-	-	-
24	Screw M8×16	-	-	-
25	L bar 1 2000L	YX50302700020	YX50302700020	YX50302700020
	L bar 1 3000L	YX50350000020	YX50350000020	YX50350000020
	L bar 1 4000L	YX50343000020	YX50343000020	YX50343000020
	L bar 1 5000L	YX50353000020	YX50353000020	YX50353000020
	L bar 1 6000L	YX50336000020	YX50336000020	YX50336000020
26	Top beam 2 2000L	BH76230020010	BH76230020010	BH76230020010
	Top beam 2 3000L	BH76232200010	BH76232200010	BH76232200010
	Top beam 2 4000L	BH76232200010	BH76232200010	BH76232200010
	Top beam 2 5000L	BH76232200010	BH76232200010	BH76232200010
	Top beam 2 6000L	BH76236200010	BH76236200010	BH76236200010
27	Nonmotile roller wheel 2	YW08245200000	YW08235200000	YW08242300000
28	Electrolysis plate 2 2000L	BL69022000020	BL69132400020	BL6902400020
	Electrolysis plate 2 3000L	BL69023000020	BL69023300020	BL69040300020
	Electrolysis plate 2 4000L	BL69023000020	BL69023300020	BL69040300020
	Electrolysis plate 2 5000L	BL69023000020	BL69023300020	BL69040300020
	Electrolysis plate 2 6000L	BL69226100020	BL69026300020	BL69024600020
29	Angle tuning plate	YW09300206000	YW09300206000	YW09300206000

* means possible broken parts.

** means easy broken part. and spare backup is suggested.

Please confirm the version of manual before placing the purchase order to guarantee that the item number of the spare part is in accordance with the real object.

Table 2-2: Parts List (SC-500W/600W)

No.	Name	Part number	
		SC-500W	SC-600W
1	Belt 2000L	YR00412500000	YR00412600000
	Belt 3000L	YR00612500000	YR00612600000
	Belt 4000L	YR00802500000	YR00812600000
	Belt 5000L	YR00101500000	YR00106200000
	Belt 6000L	YR00121500000	YR00126200000
2	Top beam 1 2000L	BH76130020010	BH76130020010
	Top beam 1 3000L	BH76133100010	BH76133100010
	Top beam 1 4000L	BH76134000010	BH76134000010
	Top beam 1 5000L	BH76135000010	BH76135000010
	Top beam 1 6000L	BH76136100010	BH76136100010
3	Electrolysis plate 1 2000L	BL69015200020	BL69006200020
	Electrolysis plate 1 3000L	BL69013500020	BL69016000020
	Electrolysis plate 1 4000L	BL69045000020	BL69064100020
	Electrolysis plate 1 5000L	BL69055100020	BL69065000020
	Electrolysis plate 1 6000L	BL69006500020	BL69010060020
4	Belt tuning plate	BL68000200020	BL68000200020
5	Bearing	-	-
6	Deliver wheel 2	YW08720058000	YW08272720000
7	Rag wheel 1	YW08521820000	YW08521820000
8	Flat key	YX70060625000	YX70060625000
9	Link chains	YW08080006000	YW08080006000
10	Belt cover	BL68321100020	BL68321100020
11	Speed adjustment motor	YM10565200000	YM10565200000
12	Speed reducer ball-bearing	-	-
13	Motor fixing plate	BL69327000020	BL69327000020
14	Screw M6×80	-	-
15	Rag wheel 2	YW08521220000	YW08521220000
16	Control box	BH90000000050	BH90000000050
17	Top beam fixing plate	YW09321800000	YW09321800000

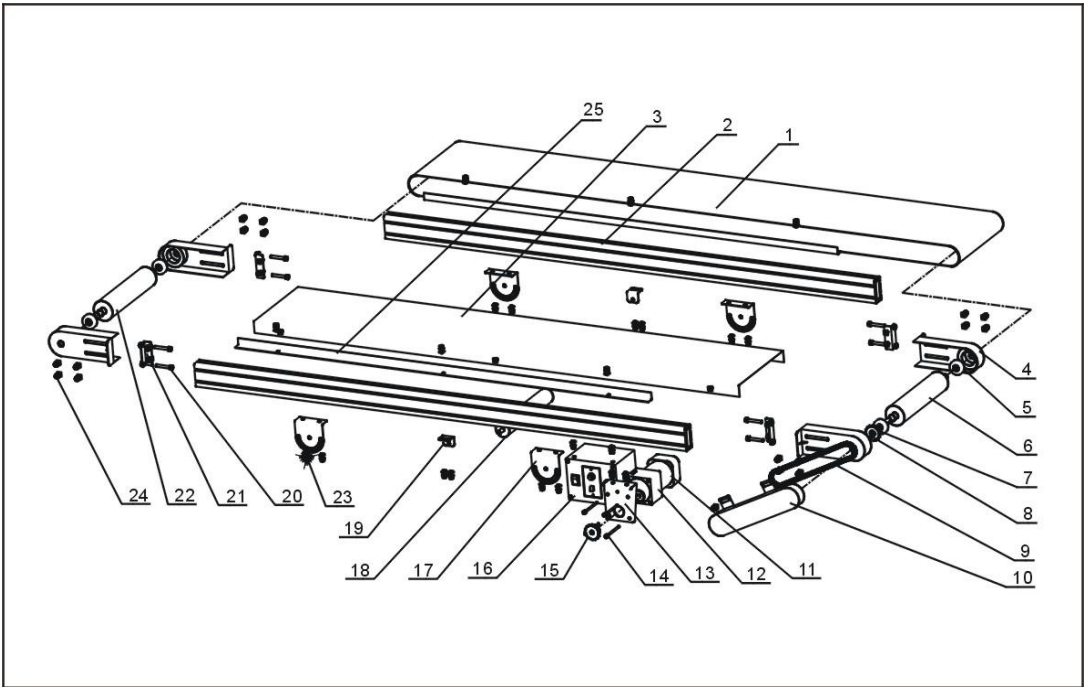
No.	Name	Part number	
		SC-500W	SC-600W
18	Nonmotile deliver wheel	YW08501546000	YW08512660000
19	Nonmotile deliver wheel fixing plate	YW09321200000	YW09321200000
20	Screw M8×40	-	-
21	Belt adjust plate	YW09321300000	YW09321300000
22	Deliver wheel 1	YW08722059000	YW08726900000
23	Screw M8×12	-	-
24	Screw M8×16	-	-
25	L bar 1 2000L	YX50302700020	YX50302700020
	L bar 1 3000L	YX50350000020	YX50350000020
	L bar 1 4000L	YX50343000020	YX50343000020
	L bar 1 5000L	YX50353000020	YX50353000020
	L bar 1 6000L	YX50336000020	YX50336000020
26	Top beam 2 2000L	BH76230020010	BH76230020010
	Top beam 2 3000L	BH76232200010	BH76232200010
	Top beam 2 4000L	BH76232200010	BH76232200010
	Top beam 2 5000L	BH76232200010	BH76232200010
	Top beam 2 6000L	BH76236200010	BH76236200010
27	Nonmotile roller wheel 2	YW08252300000	YW08245600000
28	Electrolysis plate 2 2000L	BL69052200020	BL69026000020
	Electrolysis plate 2 3000L	BL69025000020	BL69036000020
	Electrolysis plate 2 4000L	BL69025000020	BL69036000020
	Electrolysis plate 2 5000L	BL69025000020	BL69036000020
	Electrolysis plate 2 6000L	BL69123100020	BL69026600020
29	Angle tuning plate	YW09300206000	YW09300206000

* means possible broken parts.

** means easy broken part. and spare backup is suggested.

Please confirm the version of manual before placing the purchase order to guarantee that the item number of the spare part is in accordance with the real object.

2.1.3 SCI Explosion Figure



Picture 2-2: SCI Explosion View

2.1.4 Parts List (SCI)

Table 2-3: Parts List (SCI-200W~400W)

No.	Name	Part number		
		SCI-200W	SCI-300W	SCI-400W
1	Belt 1500L	-	YR00312320000	YR00314200000
	Belt 2000L	YR00410260000	YR02412030000	YR00412000000
	Belt 2500L	YR00520200000	YR00512320000	YR00520400000
	Belt 3000L	YR00620200000	YR00613200000	YR00612400000
	Belt 3500L	-	YR00712300000	YR00403500000
	Belt 4000L	YR00812000000	YR02812030000	YR00812400000
	Belt 4500L	-	YR00912000000	YR00912420000
	Belt 5000L	YR00122000000	YR00101300000	YR00102420000
	Belt 6000L	YR00126000000	YR00121300000	YR00102460000
2	Top beam 1500L	-	BL68315400020	BL68315400020
	Top beam 2000L	BH76804017840	BH76804017840	BH76804017840
	Top beam 2500L	BH76803002040	BH76803002040	BH76803002040
	Top beam 3000L	BX08040340040	BX08040340040	BX08040340040
	Top beam 3500L	-	BH76335000440	BH76335000440
	Top beam 4000L	BH76804037840	BH76804037840	BH76804037840
	Top beam 4500L	-	BH76345000440	BH76345000440
	Top beam 5000L	BH76364000040	BH76354000040	BH76354000040
	Top beam 6000L	BH76354000040	BH76354000040	BH76354000040
3	Electrolysis plate 1500L	-	BL68315300020	BL68315200020
	Electrolysis plate 2000L	BL68220500020	BL69003400020	BL68422000020
	Electrolysis plate 2500L	BL68225200020	BL68325000020	BL69004800020
	Electrolysis plate 3000L	BL68322000020	BL68333000020	BL68435000020
	Electrolysis plate 3500L	-	BL68343000020	BL68435200020
	Electrolysis plate 4000L	BL68242000020	BL68303000020	BL68442000020
	Electrolysis plate 4500L	-	BL68345000020	BL68445200020
	Electrolysis plate 5000L	BL68252000020	BL68360000020	BL68452000020
	Electrolysis plate 6000L	BL69232000020	BL68360000020	BL68602200020
4	Belt tuning plate	BL68000200020	BL68000200020	BL68000200020

5	Bearing	-	-	-
6	Deliver wheel 2	YW08272730000	YW08722042000	YW08272460000
7	Rag wheel 1	YW08521820000	YW08521820000	YW08521820000
8	Flat key	YX70060625000	YX70060625000	YX70060625000
9	Link chains	YW08080006000	YW08080006000	YW08080006000
10	Belt cover	BL68321100020	BL68321100020	BL68321100020
11	Speed adjustment motor	YM10565200000	YM10565200000	YM10565200000
12	Speed reducer ball-bearing	YE80520000200	YE80520000200	YE80520000200
13	Motor fixing plate	BL69327000020	BL69327000020	BL69327000020
14	Screw M6×80	-	-	-
15	Rag wheel 2	YW08521220000	YW08521220000	YW08521220000
16	Control box	BH90000000050	BH90000000050	BH90000000050
17	Top beam fixing plate	YW09321800000	YW09321800000	YW09321800000
18	Nonmotile deliver wheel	YW08512500000	YW08501235000	YW08512460000
19	Nonmotile deliver wheel fixing plate	YW09321200000	YW09321200000	YW09321200000
20	Screw M8×40	-	-	-
21	Belt adjust plate	YW09321300000	YW09321300000	YW09321300000
22	Deliver wheel 1	YW08729000000	YW08722039000	YW08724900000
23	Screw M8×12	-	-	-
24	Screw M8×16	-	-	-
25	L-type fixing 1500L	-	YX50303020000	YX50303020000
	L-type fixing 2000L	YX50320900020	YX50320900020	YX50320900020
	L-type fixing 2500L	BL68300250020	BL68300250020	BL68300250020
	L-type fixing 3000L	YX50300050020	YX50300050020	YX50300050020
	L-type fixing 3500L	-	YX50300450020	YX50300350020
	L-type fixing 4000L	YX50300450020	YX50300350020	YX50300450020
	L-type fixing 4500L	-	BL68304050020	BL68304050020
	L-type fixing 5000L	YX50300550020	YX50306500020	YX50300550020
	L-type fixing 6000L	YX50306500020	YX50306500020	YX50306500020

* means possible broken parts.

** means easy broken part. and spare backup is suggested.

Please confirm the version of manual before placing the purchase order to guarantee that the item number of the spare part is in accordance with the real object.

Table 2-4: Parts List (SCI-500W/600W)

No.	Name	Part number	
		SCI-500W	SCI-600W
1	Belt 1500L	-	-
	Belt 2000L	YR00412500000	YR00412600000
	Belt 2500L	YR00512500000	-
	Belt 3000L	YR00612500000	YR00612600000
	Belt 3500L	YR00403500000	-
	Belt 4000L	YR00812400000	YR00812600000
	Belt 4500L	YR00912050000	-
	Belt 5000L	YR00101500000	YR00106200000
	Belt 6000L	YR00121500000	YR00126200000
2	Top beam 1500L	-	-
	Top beam 2000L	BH76804017840	BH76804017840
	Top beam 2500L	BH76803002040	-
	Top beam 3000L	BX08040340040	BX08040340040
	Top beam 3500L	BH76335000440	-
	Top beam 4000L	BH76804037840	BH76804037840
	Top beam 4500L	BH76345000440	-
	Top beam 5000L	BH76354000040	BH76354000040
	Top beam 6000L	BH76354000040	BH76354000040
3	Electrolysis plate 1500L	-	-
	Electrolysis plate 2000L	BL68522000020	BL68600200020
	Electrolysis plate 2500L	BL68325000020	-
	Electrolysis plate 3000L	BL68532000020	BL68602200020
	Electrolysis plate 3500L	BL68435200020	-
	Electrolysis plate 4000L	BL68442000020	BL68642200020
	Electrolysis plate 4500L	BL68504500020	-
	Electrolysis plate 5000L	BL68502000020	BL68652000020
	Electrolysis plate 6000L	BL68062000020	BL68620000020
4	Belt tuning plate	BL68000200020	BL68000200020
5	Bearing	-	-

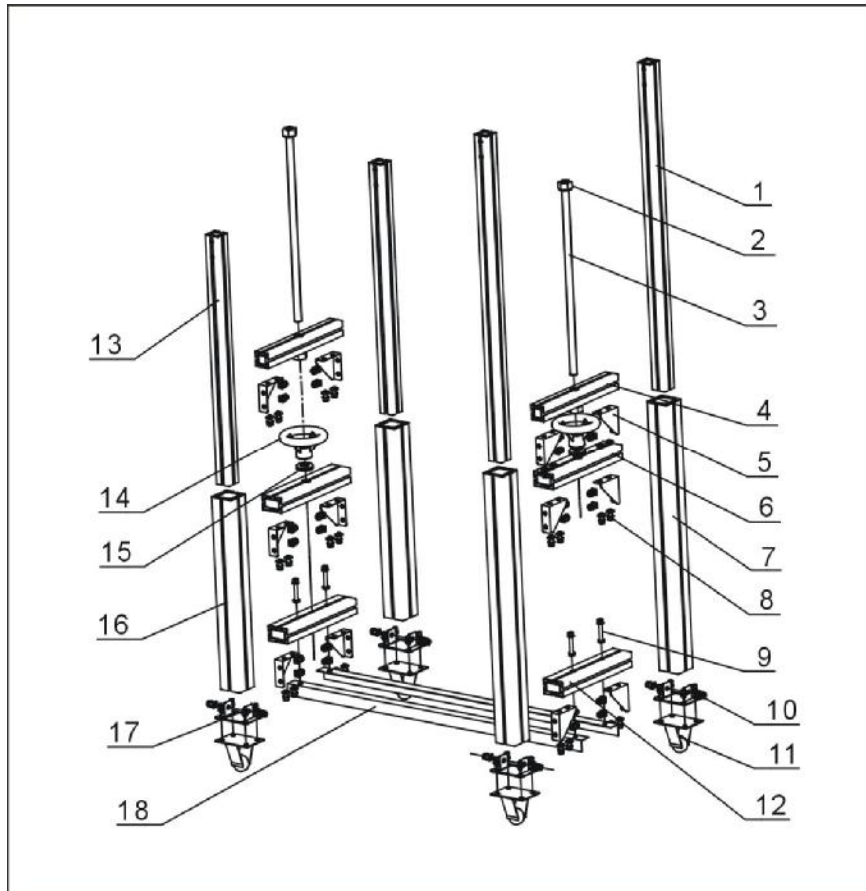
6	Deliver wheel 2	YW08720058000	YW08272720000
7	Rag wheel 1	YW08521820000	YW08521820000
8	Flat key	YX70060625000	YX70060625000
9	Link chains	YW08080006000	YW08080006000
10	Belt cover	BL68321100020	BL68321100020
11	Speed adjustment motor	YM10565200000	YM10565200000
12	Speed reducer ball-bearing	YE80520000200	YE80520000200
13	Motor fixing plate	BL69327000020	BL69327000020
14	Screw M6×80	-	-
15	Rag wheel 2	YW08521220000	YW08521220000
16	Control box	BH90000000050	BH90000000050
17	Top beam fixing plate	YW09321800000	YW09321800000
18	Nonmotile deliver wheel	YW08501546000	YW08512660000
19	Nonmotile deliver wheel fixing plate	YW09321200000	YW09321200000
20	Screw M8×40	-	-
21	Belt adjust plate	YW09321300000	YW09321300000
22	Deliver wheel 1	YW08722059000	YW08726900000
23	Screw M8×12	-	-
24	Screw M8×16	-	-
25	L-type fixing 1500L	-	-
	L-type fixing 2000L	YX50320900020	YX50320900020
	L-type fixing 2500L	BL68300250020	-
	L-type fixing 3000L	YX50300050020	YX50300050020
	L-type fixing 3500L	YX50300350020	-
	L-type fixing 4000L	YX50300450020	YX50300450020
	L-type fixing 4500L	YX50300450020	-
	L-type fixing 5000L	YX50300550020	YX50300550020
	L-type fixing 6000L	YX50306500020	YX50306500020

* means possible broken parts.

** means easy broken part. and spare backup is suggested.

Please confirm the version of manual before placing the purchase order to guarantee that the item number of the spare part is in accordance with the real object.

2.1.5 Stand Explosion Figure



Picture 2-3: Stand Explosion View

2.1.6 Parts List (SC/SCI)

Table 2-5: Parts List (SC-200W~400W)

No.	Name	Part number		
		SC-200W	SC-300W	SC-400W
1	Column (top)	BH76404085010	BH76404085010	BH76404085010
2	Hex socket bolt nut M18	YW61051500000	YW61051500000	YW61051500000
3	Screw bar M18×500	YW69018500000	YW69018500000	YW69018500000
	Screw bar M18×600	YW69018600000	YW69018600000	YW69018600000
4	Beam (top)	BH76022000010	BH76404031010	BH76043000010
5	Triangle-plate	YW09321600000	YW09321600000	YW09321600000
6	Beam (middle)	BH76020200010	BH76604028010	BH76043200010
7	Column (bottom)	BH76626270040	BH76626270040	BH76626270040
8	Screw M8×12	YW61081200000	YW61081200000	YW61081200000
9	Screw M8×55	YW61085500000	YW61085500000	YW61085500000
10	Caster fixing plate	YW09321400000	YW09321400000	YW09321400000
11	Mobile castor	YW03000300000	YW03000300000	YW03000300000
	Castor with brake	YW03000300200	YW03000300200	YW03000300200
12	Beam (bottom)	BH76022300010	BH76604029010	BH76043300010
13	Column (top)	BH76404065010	BH76404065010	BH76404065010
14	Hand wheel	YW12801200000	YW12801200000	YW12801200000
15	Thrust bearing	YW11512040000	YW11512040000	YW11512040000
16	Column (bottom)	BH76626250010	BH76626250010	BH76626250010
17	Screw M6×12	YW61061600200	YW61061600200	YW61061600200
18	Bottom-bar 1500L	-	BL68315100020	BL68315100020
	Bottom-bar 2000L	BH76303091610	BH76303091610	BH76303091610
	Bottom-bar 2500L	BH73250000010	BH73250000010	BH73250000010
	Bottom-bar 3000L	BH73230000010	BH73230000010	BH73230000010
	Bottom-bar 3500L	BH76335000010	BH76335000010	BH76335000010
	Bottom-bar 4000L	BH76303000010	BH76303000010	BH76303000010
	Bottom-bar 4500L	BH76345000010	BH76345000010	BH76345000010
	Bottom-bar 5000L	BH76350000010	BH76350000010	BH76350000010
	Bottom-bar 6000L	BH76336000010	BH76336000010	BH76336000010

* means possible broken parts.

** means easy broken part. and spare backup is suggested.

Please confirm the version of manual before placing the purchase order to guarantee that the item number of the spare part is in accordance with the real object.

Table 2-6: Parts List (SC-500W/600W)

No.	Name	Part number	
		SC-500W	SC600W
1	Column (top)	BH76404085010	BH76404085010
2	Hex socket bolt nut M18	YW61051500000	YW61051500000
3	Screw bar M18×500	YW69018500000	YW69018500000
	Screw bar M18×600	YW69018600000	YW69018600000
4	Beam (top)	BH76504000010	BH76063000010
5	Triangle-plate	YW09321600000	YW09321600000
6	Beam (middle)	BX50542000000	BH76063200010
7	Column (bottom)	BH76626270040	BH76626270040
8	Screw M8×12	YW61081200000	YW61081200000
9	Screw M8×55	YW61085500000	YW61085500000
10	Caster fixing plate	YW09321400000	YW09321400000
11	Mobile castor	YW03000300000	YW03000300000
	Castor with brake	YW03000300200	YW03000300200
12	Beam (bottom)	BX50450200010	BH76063300010
13	Column (top)	BH76404065010	BH76404065010
14	Hand wheel	YW12801200000	YW12801200000
15	Thrust bearing	YW11512040000	YW11512040000
16	Column (bottom)	BH76626250010	BH76626250010
17	Screw M6×12	YW61061600200	YW61061600200
18	Bottom-bar 1500L	-	-
	Bottom-bar 2000L	BH76303091610	BH76303091610
	Bottom-bar 2500L	BH73250000010	BH73250000010
	Bottom-bar 3000L	BH73230000010	BH73230000010
	Bottom-bar 3500L	BH76335000010	BH76335000010
	Bottom-bar 4000L	BH76303000010	BH76303000010
	Bottom-bar 4500L	BH76345000010	BH76345000010
	Bottom-bar 5000L	BH76350000010	BH76350000010
	Bottom-bar 6000L	BH76336000010	BH76336000010

* means possible broken parts.

** means easy broken part. and spare backup is suggested.

Please confirm the version of manual before placing the purchase order to guarantee that the item number of the spare part is in accordance with the real object.

Table 2-7: Parts List (SCI-200W~400W)

No.	Name	Part number		
		SCI-200W	SCI-300W	SCI-400W
1	Column (top)	BH76404085010	BH76404085010	BH76404085010
2	Hex socket bolt nut M18	YW61051500000	YW61051500000	YW61051500000
3	Screw bar M18×500	YW69018500000	YW69018500000	YW69018500000
	Screw bar M18×600	YW69018600000	YW69018600000	YW69018600000
4	Beam (top)	BH76022000010	BH76404031010	BH76043000010
5	Triangle-plate	YW09321600000	YW09321600000	YW09321600000
6	Beam (middle)	BH76020200010	BH76604028010	BH76043200010
7	Column (bottom)	BH76626270040	BH76626270040	BH76626270040
8	Screw M8×12	YW61081200000	YW61081200000	YW61081200000
9	Screw M8×55	YW61085500000	YW61085500000	YW61085500000
10	Caster fixing plate	YW09321400000	YW09321400000	YW09321400000
11	Mobile castor	YW03000300000	YW03000300000	YW03000300000
	Castor with brake	YW03000300200	YW03000300200	YW03000300200
12	Beam (bottom)	BH76022300010	BH76604029010	BH76043300010
13	Column (top)	BH76404065010	BH76404065010	BH76404065010
14	Hand wheel	YW12801200000	YW12801200000	YW12801200000
15	Thrust bearing	YW11512040000	YW11512040000	YW11512040000
16	Column (bottom)	BH76626250010	BH76626250010	BH76626250010
17	Screw M6×12	YW61061600200	YW61061600200	YW61061600200
18	Bottom-bar 1500L	-	BL68315100020	BL68315100020
	Bottom-bar 2000L	BH76303091610	BH76303091610	BH76303091610
	Bottom-bar 2500L	BH73250000010	BH73250000010	BH73250000010
	Bottom-bar 3000L	BH73230000010	BH73230000010	BH73230000010
	Bottom-bar 3500L	BH76335000010	BH76335000010	BH76335000010
	Bottom-bar 4000L	BH76303000010	BH76303000010	BH76303000010
	Bottom-bar 4500L	BH76345000010	BH76345000010	BH76345000010
	Bottom-bar 5000L	BH76350000010	BH76350000010	BH76350000010
	Bottom-bar 6000L	BH76336000010	BH76336000010	BH76336000010

* means possible broken parts.

** means easy broken part. and spare backup is suggested.

Please confirm the version of manual before placing the purchase order to guarantee that the item number of the spare part is in accordance with the real object.

Table 2-8: Parts List (SCI-500W/600W)

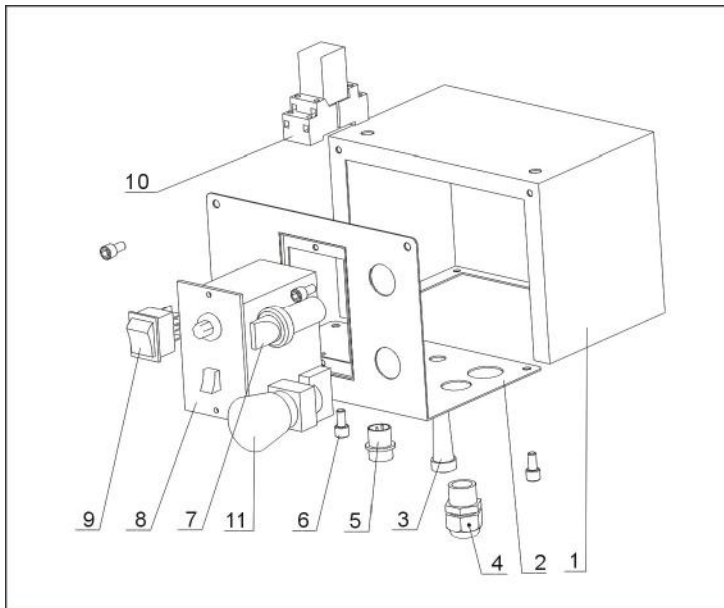
No.	Name	Part number	
		SCI-500W	SCI-600W
1	Column (top)	BH76404085010	BH76404085010
2	Hex socket bolt nut M18	YW61051500000	YW61051500000
3	Screw bar M18×500	YW69018500000	YW69018500000
	Screw bar M18×600	YW69018600000	YW69018600000
4	Beam (top)	BH76504000010	BH76063000010
5	Triangle-plate	YW09321600000	YW09321600000
6	Beam (middle)	BX50542000000	BH76063200010
7	Column (bottom)	BH76626270040	BH76626270040
8	Screw M8×12	YW61081200000	YW61081200000
9	Screw M8×55	YW61085500000	YW61085500000
10	Caster fixing plate	YW09321400000	YW09321400000
11	Mobile castor	YW03000300000	YW03000300000
	Castor with brake	YW03000300200	YW03000300200
12	Beam (bottom)	BX50450200010	BH76063300010
13	Column (top)	BH76404065010	BH76404065010
14	Hand wheel	YW12801200000	YW12801200000
15	Thrust bearing	YW11512040000	YW11512040000
16	Column (bottom)	BH76626250010	BH76626250010
17	Screw M6×12	YW61061600200	YW61061600200
18	Bottom-bar 1500L	-	-
	Bottom-bar 2000L	BH76303091610	BH76303091610
	Bottom-bar 2500L	BH73250000010	BH73250000010
	Bottom-bar 3000L	BH73230000010	BH73230000010
	Bottom-bar 3500L	BH76335000010	BH76335000010
	Bottom-bar 4000L	BH76303000010	BH76303000010
	Bottom-bar 4500L	BH76345000010	BH76345000010
	Bottom-bar 5000L	BH76350000010	BH76350000010
	Bottom-bar 6000L	BH76336000010	BH76336000010

* means possible broken parts.

** means easy broken part. and spare backup is suggested.

Please confirm the version of manual before placing the purchase order to guarantee that the item number of the spare part is in accordance with the real object.

2.1.7 Control Box Explosion Figure



Picture 2-4: Control Box Explosion View

2.1.8 Parts List (SC/SCI)

Table 2-9: Parts List (SC-200W~400W)

No.	Name	Part number		
		SC-200W	SC-300W	SC-400W
1	Control body	BL68200800020	BL68200800020	BL68200800020
2	Control box cover	BL68200700020	BL68200700020	BL68200700020
3	Fuse port	YE46052000100	YE46052000100	YE46052000100
4	Cable lock	YE67013500000	YE67013500000	YE67013500000
5	Water-proof connector (male)	YE64160200100	YE64160200100	YE64160200100
	Water-proof connector (mother)	YE64160200000	YE64160200000	YE64160200000
6	Screw M5×10	-	-	-
7	Rotary switch	YE12210100000	YE12210100000	YE12210100000
8	Speed controller	YE80520000200	YE80520000200	YE80520000200
9	On-off switch	YE10220600000	YE10220600000	YE10220600000
10	Relay	YE03272400000	YE03272400000	YE03272400000
11	Emergency stop button	YE11411000000	YE11411000000	YE11411000000

* means possible broken parts.

** means easy broken part. and spare backup is suggested.

Please confirm the version of manual before placing the purchase order to guarantee that the item number of the spare part is in accordance with the real object.

Table 2-10: Parts List (SC-500W/600W)

No.	Name	Part number	
		SC-500W	SC-600W
1	Control body	BL68200800020	BL68200800020
2	Control box cover	BL68200700020	BL68200700020
3	Fuse port	YE46052000100	YE46052000100
4	Cable lock	YE67013500000	YE67013500000
5	Water-proof connector (male)	YE64160200100	YE64160200100
	Water-proof connector (mother)	YE64160200000	YE64160200000
6	Screw M5×10	-	-
7	Rotary switch	YE12210100000	YE12210100000
8	Speed controller	YE80520000200	YE80520000200
9	On-off switch	YE10220600000	YE10220600000
10	Relay	YE03272400000	YE03272400000
11	Emergency stop button	YE11411000000	YE11411000000

* means possible broken parts.

** means easy broken part. and spare backup is suggested.

Please confirm the version of manual before placing the purchase order to guarantee that the item number of the spare part is in accordance with the real object.

Table 2-11: Parts List (SCI-200W~400W)

No.	Name	Part number		
		SCI-200W	SCI-300W	SCI-400W
1	Control body	BL68200800020	BL68200800020	BL68200800020
2	Control box cover	BL68200700020	BL68200700020	BL68200700020
3	Fuse port	YE46052000100	YE46052000100	YE46052000100
4	Cable lock	YE67013500000	YE67013500000	YE67013500000
5	Water-proof connector (male)	YE64160200100	YE64160200100	YE64160200100
	Water-proof connector (mother)	YE64160200000	YE64160200000	YE64160200000
6	Screw M5×10	-	-	-
7	Rotary switch	YE12210100000	YE12210100000	YE12210100000
8	Speed controller	YE80520000200	YE80520000200	YE80520000200
9	On-off switch	YE10220600000	YE10220600000	YE10220600000
10	Relay	YE03272400000	YE03272400000	YE03272400000
11	Emergency stop button	YE11411000000	YE11411000000	YE11411000000

* means possible broken parts.

** means easy broken part. and spare backup is suggested.

Please confirm the version of manual before placing the purchase order to guarantee that the item number of the spare part is in accordance with the real object.

Table 2-12: Parts List (SCI-500W/600W)

No.	Name	Part number	
		SCI-500W	SCI-600W
1	Control body	BL68200800020	BL68200800020
2	Control box cover	BL68200700020	BL68200700020
3	Fuse port	YE46052000100	YE46052000100
4	Cable lock	YE67013500000	YE67013500000
5	Water-proof connector (male)	YE64160200100	YE64160200100
	Water-proof connector (mother)	YE64160200000	YE64160200000
6	Screw M5×10	-	-
7	Rotary switch	YE12210100000	YE12210100000
8	Speed controller	YE80520000200	YE80520000200
9	On-off switch	YE10220600000	YE10220600000
10	Relay	YE03272400000	YE03272400000
11	Emergency stop button	YE11411000000	YE11411000000

* means possible broken parts.

** means easy broken part. and spare backup is suggested.

Please confirm the version of manual before placing the purchase order to guarantee that the item number of the spare part is in accordance with the real object.