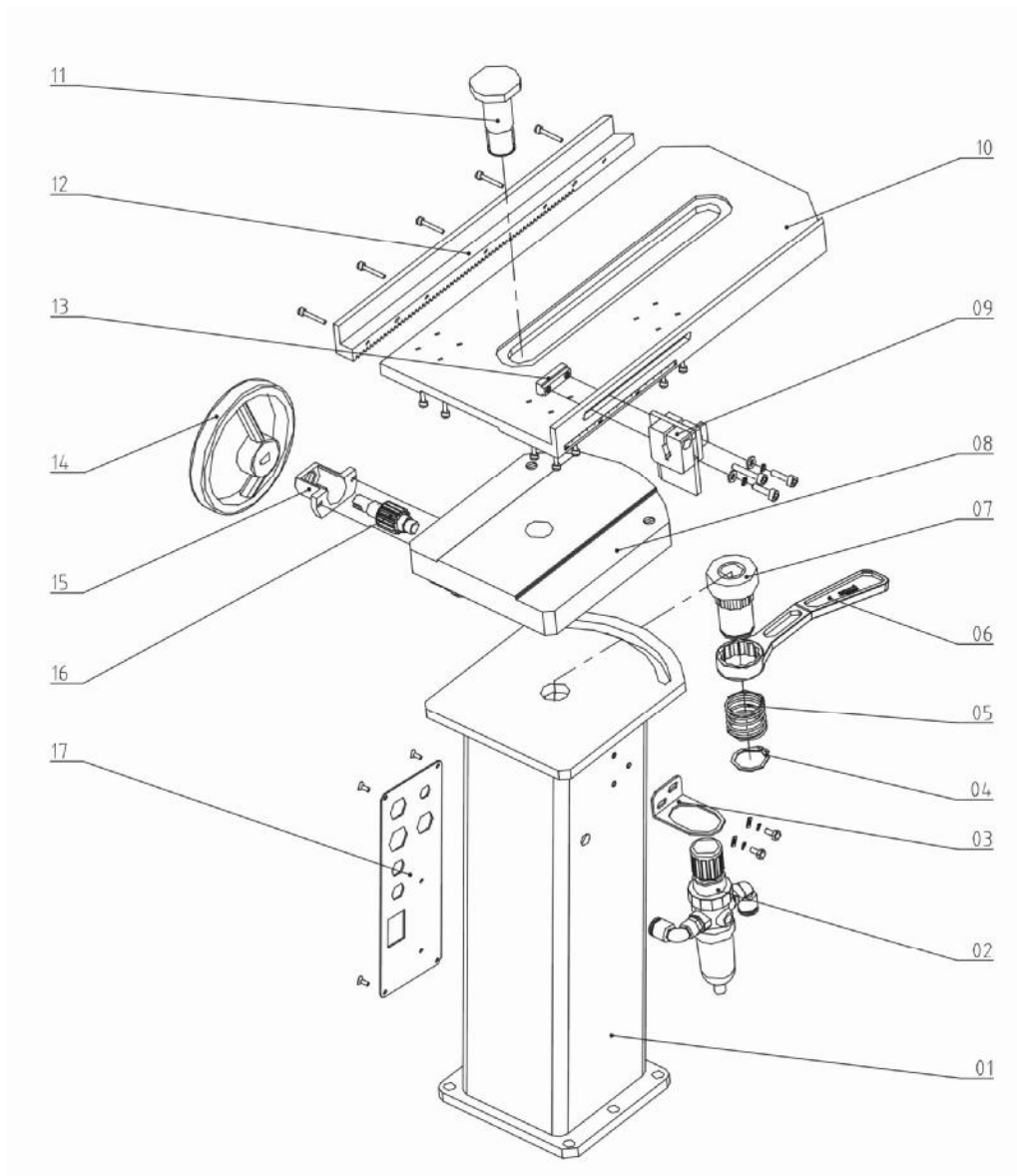


7. The Assembly Chart

7.1 Mechanical Assembly

7.1.1 Base Chart



Picture 7-1

7.1.2 Parts List

Table 7-1: Parts List

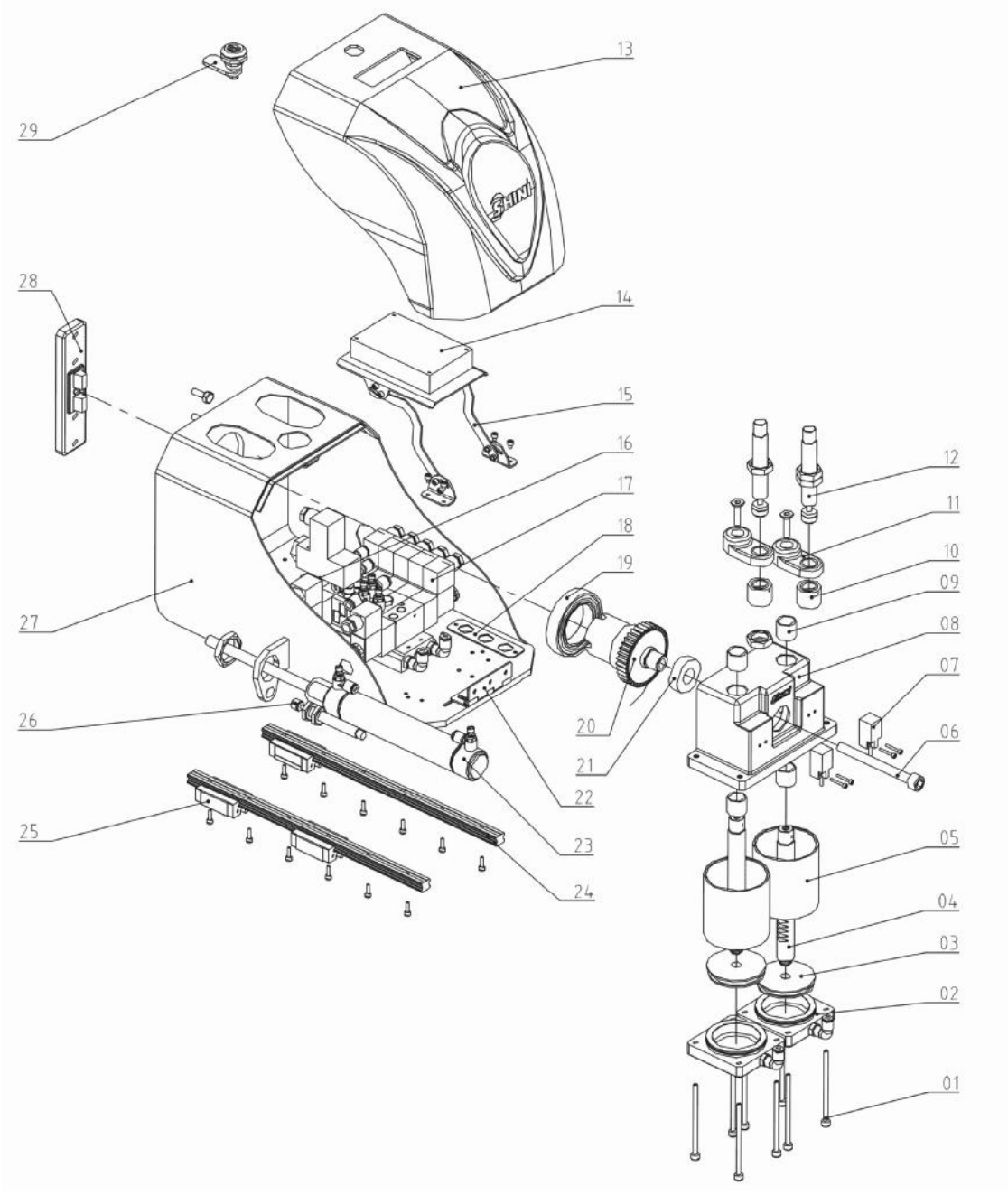
No.	Name	Part number	
		SS-550	SS-700
1	Base	BH10055000910	BH10055000910
2	Filter regulator valve	-	-
3	Filter regulator fixing frame	YE30150200320	YE30150200320
4	Clamp spring	YW69002800000	YW69002800000
5	Spring	YW01253400000	YW01253400000
6	Spanner	BW32550800040	BW32550800040
7	Special nut	BH10055001740	BH10055001740
8	Sliding sear washer	BH10055000240	BH10055000240
9	Piston rod	YW09055000300	YW09055000300
10	Fixing base	BH10550900060	BH10550900060
11	Special screw	YW60247000000	YW60247000000
12	Gear rack	BH11055001040	BH11055001040
13	T-type sliding block	-	-
14	Hand wheel	YW20015000000	YW20015000000
15	Gear base	BH11055001340	BH11055001340
16	Gear	BH11055001240	BH11055001240
17	Control box cover	BL70551100060	BL70551100060

* means possible broken parts.

** means easy broken part. and spare backup is suggested.

Please confirm the version of manual before placing the purchase order to guarantee that the item number of the spare part is in accordance with the real object.

7.1.3 Sliding Seat Chart



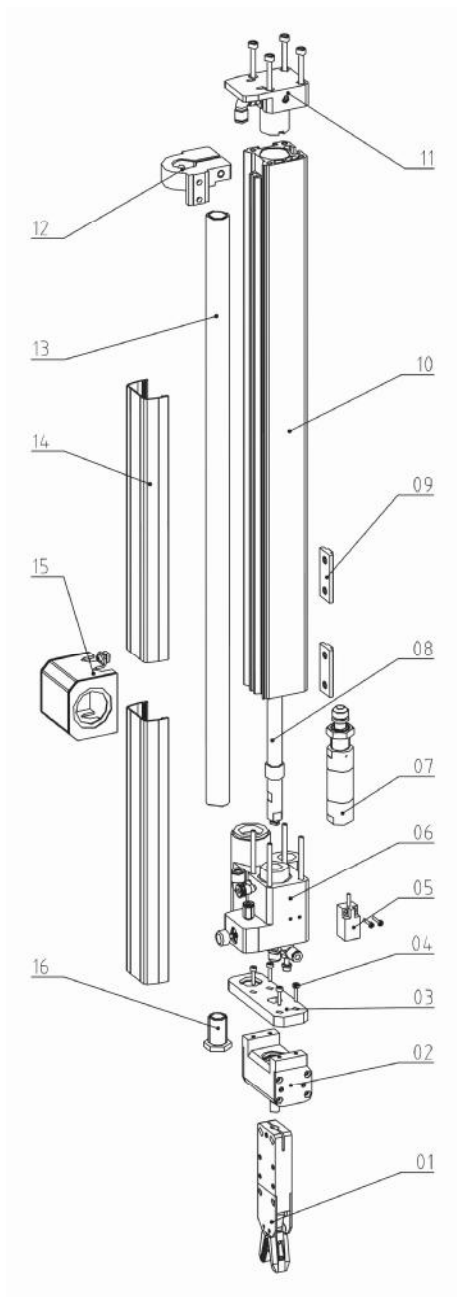
Picture 7-2

7.1.4 Parts List

Table 7-2: Parts List

No.	Name	Part number	
		SS-550	SS-700
1	Screw in rotational cylinder	-	-
2	Bottom cover of rotational cylinder	BH13551201210	BH13551201210
3	Piston	BH13055001410	BH13055001410
4	Piston rod	-	-
5	Cylinder	BH13768000040	BH13768000040
6	Fixing arm screw	-	-
7	Proximity switch	YE15050100300	YE15050100300
8	Top cover of rotational cylinder	BW20055001010	BW20055001010
9	Plastic bearing	YR41202302000	YR41202302000
10	Limitation block	YW09055001000	YW09055001000
11	Shock absorber fixture	BW32055000840	BW32055000840
12	Shock absorber	-	-
13	Cover of sliding seat	BH11550000310	BH11550000310
14	Circuit board	-	-
15	Fixing frame of circuit board	BL70550020060	BL70550020060
16	Pressure sensor	-	-
17	Magnetic valve	-	-
18	Connection board of silencer	BL70550020020	BL70550020020
19	Bearing	YW11601000000	YW11601000000
20	Gear	YW09550130000	YW09550130000
21	Bearing	YW11600400000	YW11600400000
22	Hinge	YW06253200000	YW06253200000
23	Cylinder on kick stroke	-	-
24	Rack	YW20151300000	YW20151300000
		YW20152300000	YW20152300000
25	Sliding block	-	-
26	Shock absorber	-	-
27	Sliding base	BH10055000510	BH10055000510
28	Arm junction plate	BW32055000140	BW32055000140
29	Lock	YW00000000100	YW00000000100

7.1.5 Arm Chart



Picture 7-3

7.1.6 Parts List

Table 7-3: Parts List

No.	Name	Part number	
		SS-550	SS-700
1	Gripper	YE31055000300	YE31055000300
2	Clip rotation cylinder	BW30055000200	BW30055000200
3	Gripper junction block	BH13055000940	BH13055000940
4	Fix gripper screw	-	-
5	Go up proximity switch	YE15050100300	YE15050100300
6	Bottom cover of cylinder	-	-
7	Pnumatic shock absorber	BE31055000020	BE31055000020
8	Poston rod	YE31325500000	YE31325500000
9	T-type fixing block if arm		
10	Cylinder		
11	Top cover of cylinder		
14	Top cover of cylinder		
12	Stroke limited block	BH13055001140	BH13055001140
13	Guide rod	BW20256800040	BW20256800040
15	Air pipe transferring box	BL70550060060	BL70550060060
16	Fix guide rod screw	-	-