

Tech. Req:

1. Main performance parameters:

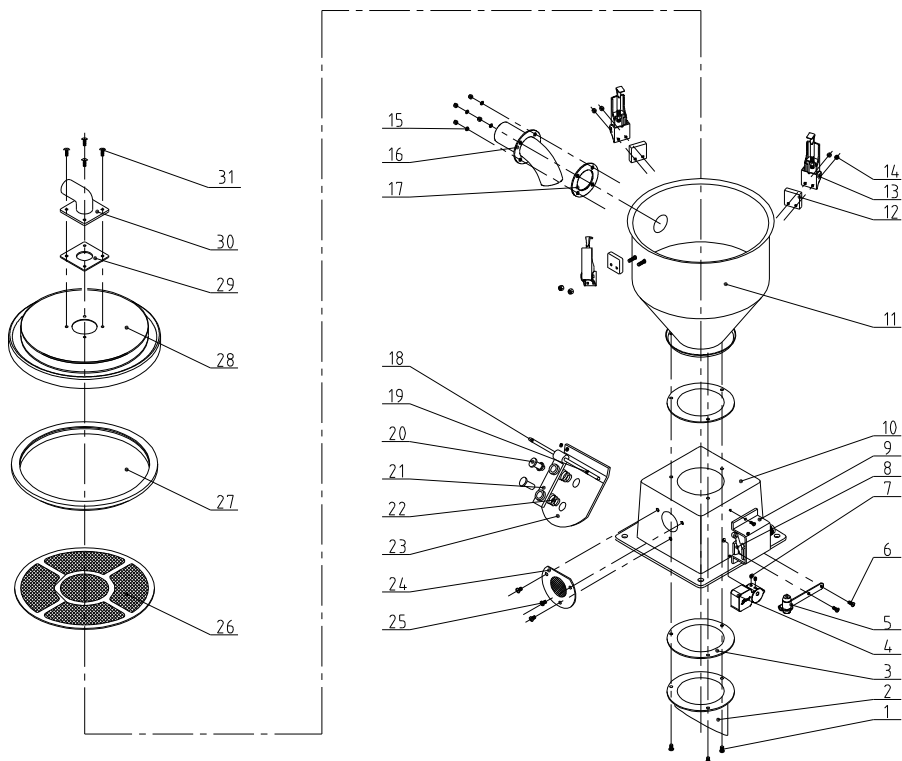
a. Throughput 300kg/hr (Tested material's bulk density: 0.65kg/L)

b. Machine power: 3Φ, 400VAc, 50Hz;

c. High-pressure blower power: 0.75kW;

20		Foot pipe pressing screen	Q235	1	
19		Foot pipe pressing screen sheet	SPCC25	1	
18	YR10001000000	Motor suction port tightener IHP	Rubber	1	
17	YR40004700000	Air suction pipe elbow	ABS	1	
16	YW02002500000	Pipe clamp φ57	Assembly	2	
15	YW65006000100	Standard spring washer GB/T93 6-Longzine		10	
14	YW66061300000	Flat gasket A grade GB/T91 1.6-Longzine		10	
13	YW60061500100	Hexagon screw bolt GB/15183 M6x10-L-Longzine		10	
12		Filter assembly	Assembly	1	
11	YW65008000100	Standard spring washer GB/T93 8-Longzine		4	
10	YW66082200100	Large washer C grade GB/T9688B 4x2x21-Longzine		4	
9	YW60081600100	Hexagon screw bolt GB/15181 M6x16-L-Longzine		4	
8		Right side plate	SPCC2.0	1	
7		Control box	Assembly	1	
6		Fixed bracket	Assembly	1	
5	YR60500700100	Steel wire ext. PUR hose 2"	PUR	0.35m	
4		Left side plate	SPCC2.0	1	
3	BM30031000150	Steel blower HB-310/MP3 phase 230V/400V/50/60HZ 150W	Assembly	1	
2		Base	SPCC2.0	1	
1	YW03000200000	Black castor 2"	Assembly	4	
No.	Part No.	Name	Material	Num	Remarks

					Drawer	Version	Title	Drawing NO.	Scale	1:10	Num	1
					Designer	Approved by	"Standard" Separate-vacuum Hopper Loader	SAL-810G-ALL		Material	Assembly	
					Proofread by	Checked by	SHINI 信易電熱機械股份有限公司 Shini Plastics Technologies, Inc.	Surface	Material number			
Mark	Before modification	After modification	Modified by	Modify date	Checked by	Date						



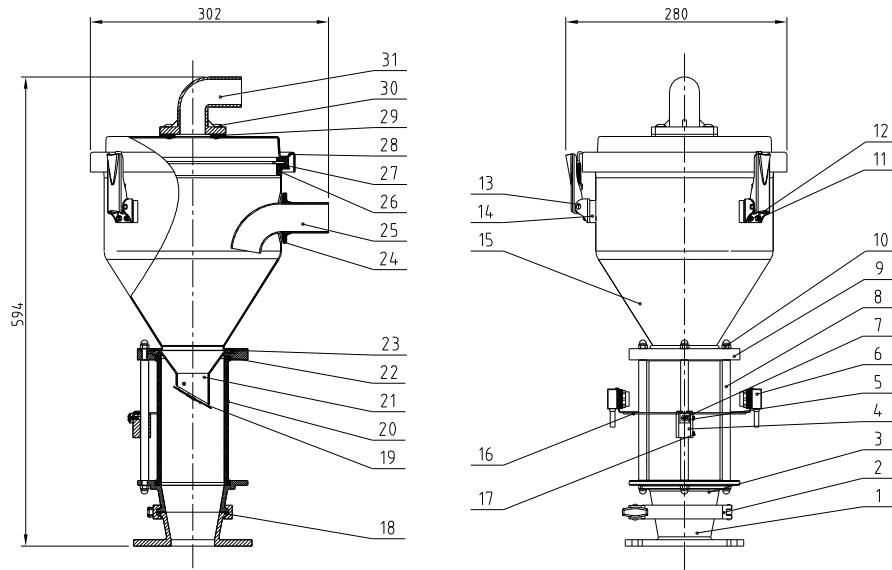
Tech Req:

1 Main parameters:

- a Storage hopper capacity: 6L
- b Air source: 4-6kgf/cm²
- c Voltage: DC24V

31	YW62051500020	Large cross socket flat head screw JIS1111 M5-16-Longine		4	
30	BA20001500020	Air suction pipe	YL112	1	
29	YR10000000200	Air suction pipe fastener (has mould)	Rubber	1	
28	BL21000600420	Hopper cover	SPCC15	1	
27	YR10000300100	Hopper fastener	Rubber	1	
26	BL21000600620	Filter screen	Assembly	1	
25	YW62061000000	Large cross socket flat head screw JIS1111 M6-10-Longine		7	
24	YR40002400100	Vacuum hopper receiver plastic exhaust window SMH-6L-A-32 ver 0(white)(has mould)	Assembly	1	
23	YW10000000100	Mat. discharge plate	SUS201	1	
22	YW01033000000	Mat. discharge plate spring		2	
21	BW20000100010	Atu accessories	YL112	1	
20	YW01033000000	Mat. discharge plate rvel	Q235A	2	
19	YW66000300000	Open check ring GB/T896 3		2	
18	BH10061400040	Iron rod	Q235A	1	
17	YR10061200000	Inlet pipe fastener	Rubber	1	
16	BL32000600020	Inlet pipe	SUS201	1	
15	YW66041000000	Flat washer A grade GB/T97.1 4(L 5*9*0.8)-L-Longine		4	
14	YW64040700100	Non-metal insert hex. lock nut GB/T899.1 M4		10	
13	YW02003000400	Spring fastener	Assembly	3	
12	YR40000600300	Spring fastener washer	ABS	3	
11		Material storage tank	SUS304	1	
10	BA10040000210	Square base (thin type)	YL112	1	
9	YR40000600600	Micro switch box	ABS	1	
8	YE14511200000	Micro switch LXW5-11G2		1	
7	YW68005500000	Inner. hex. flat end lock screw GB/T33 M5*5-Longine		4	
6	YW63041200100	Large cross socket pan head screw GB/T11 M6*12-Longine		3	
5	BH10000600050	Pin lift mechanism	Assembly	1	
4	YW20602100000	With heavy-hammer	Zinc alloy	1	
3	YR10000000600	Base fastener	Rubber	2	
2	BL20333600020	Silical hole	SUS304	1	
1	YW62052000000	Large cross socket flat head screw JIS1111 M5-20-Longine		3	
No.	Part No	Name	Material	Num	Remarks

				Drawer	Version	Title	SMH-6L	Proportion	1:8	Num	1
				Designer	Approved by	Vacuum Hopper Receiver	SMH-6L-A-ALL		Material	Assembly	
				Proofread by		信易電熱機械股份有限公司 Shini Plastics Technologies, Inc.	Surface				
Mark	Before modification	After modification	Modified by	Checked by	Date				Material number		



31	BW20001500010	Air suction pipe	YL112	1	
30	YW62051500000	Large cross socket flat head screw JIS1111 M5×16-Longzine		4	
29	YR10000000200	Air suction pipe fastener	Rubber	1	
28	BL21000602820	Hopper cover	SUS304	1	
27	BL21000600620	Filter screen	SUS201	1	
26	YR10000300100	Hopper fastener	Rubber	1	
25	BL32000600020	Inlet pipe	SUS201	1	
24	YR10061200000	Inlet pipe fastener	Rubber	1	
23	YR20259800000	Rubber O-type seal ring 2.5×98	Rubber	1	
22	YR10060200000	Glass pipe fastener	Silical gel	2	
21	BW32006700810	Mat. discharge port	Assembly	1	
20	YW70317000600	Glass pipe	Glass	1	
19	BL21000602720	Non-return piece	Assembly	1	
18	YR20802600000	Rubber O-type seal ring 80 (inner dia.)×2.65	Rubber	1	
17	YW68004500000	Inner hex. flat end lock screw GB/T117 M4×5-Longzine		2	
16		Photo sensor fixed piece	SPCC15	1	
15		Material storage hopper	SUS304	1	
14	YR40000600300	Snap hook washer	ABS	3	
13	YW02003000400	Snap hook	Assembly	3	
12	YW66041000000	Flat washer A grade GB/T97.1 4(L:5×9×0.8)-Longzine		8	
11	YW64040700100	Non-metal insert hex. lock nut GB/T889.1 M4		8	
10	YW64006000100	Hex. cap nut GB/T923 M6-A2-70(SUS)		6	
9	BH13062400200	Glass pipe upper flange	YL112	1	
8	BH10000600640	Flange connecting rod	Q235A	3	
7	YW63041200100	Cross socket pan head screw GB/T1-818 M4×12-Longzine		3	
6	YE15143900000	Photosensor FOTEK T18-3MN-PE	Assembly	1 pair	
5	YW31616200000	Photosensor cable pressure block	SUS201	1	
4	BL90001000120	Photosensor fixed base	YL112	1	
3	BH13062600200	Glass pipe lower flange	YL112	1	
2	YW07000300000	3" stainless steel pipe clamp	SUS202	1	
1	BH13060100200	Mount flange	YL112	1	
No.	Part No.	Name	Material	Num.	Remarks

Tech. Req;

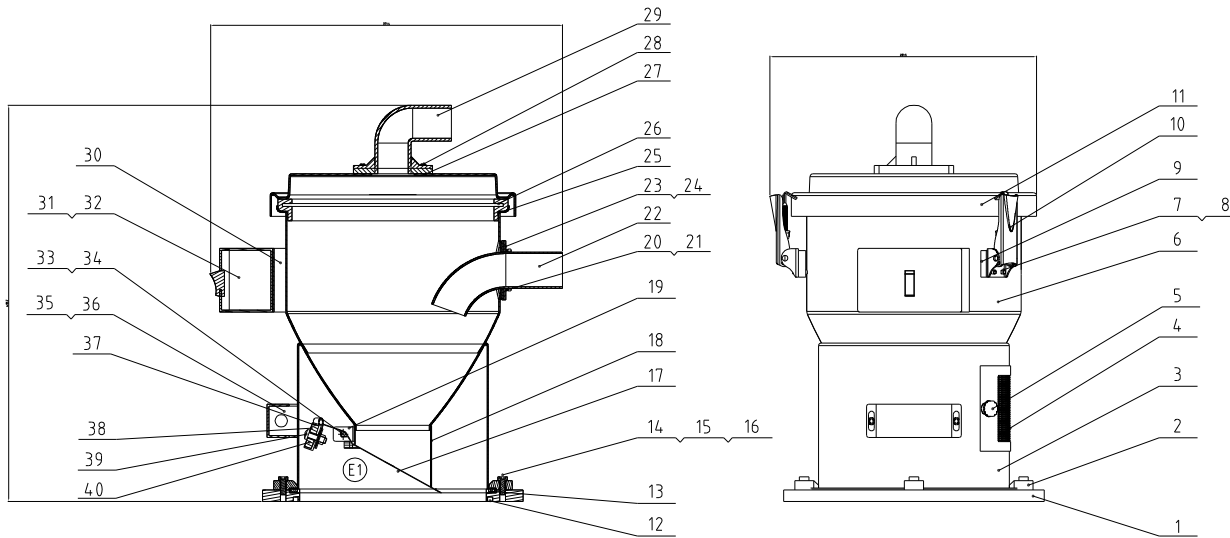
1.Main parameters;

- a.Storage hopper capacity:6L
- b Air source: 4-6kgf/cm²
- c.Voltage: DC24V


					Drawer		Version	
					Designer		Approved by	
					Proofread by			
Mark	Before modification	After modification	Modified by	Modify date	Checked by		Date	

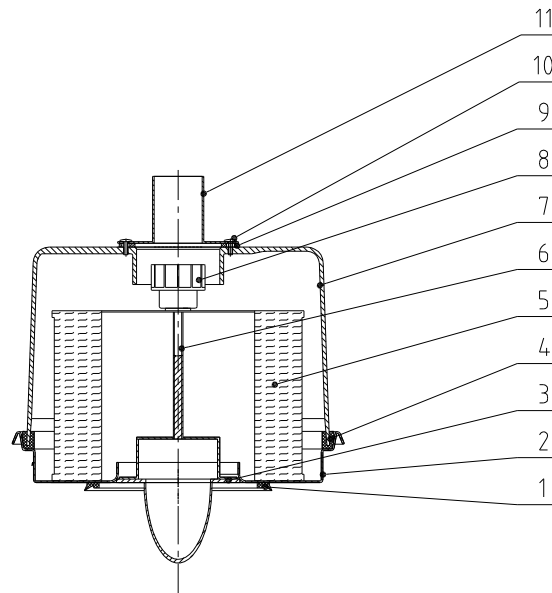
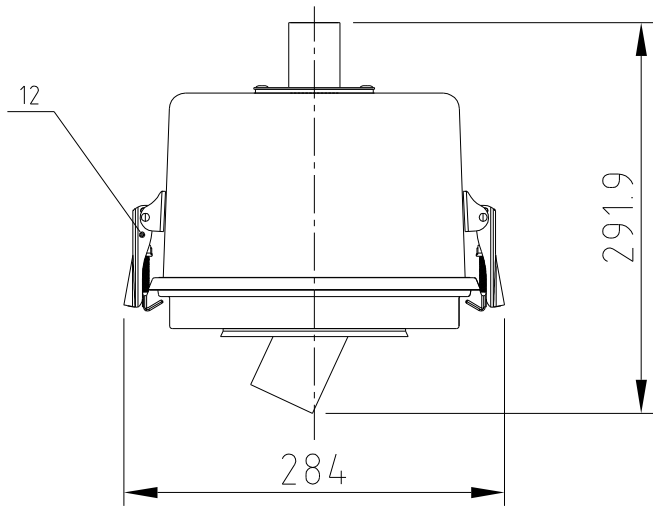
Title		SVH-6L		Drawing NO		SVH-6L-ALL		Prop	1:6	Num	1
Photosensor Hopper Receiver								Material		Assembly	
								Surface			
								Material number			





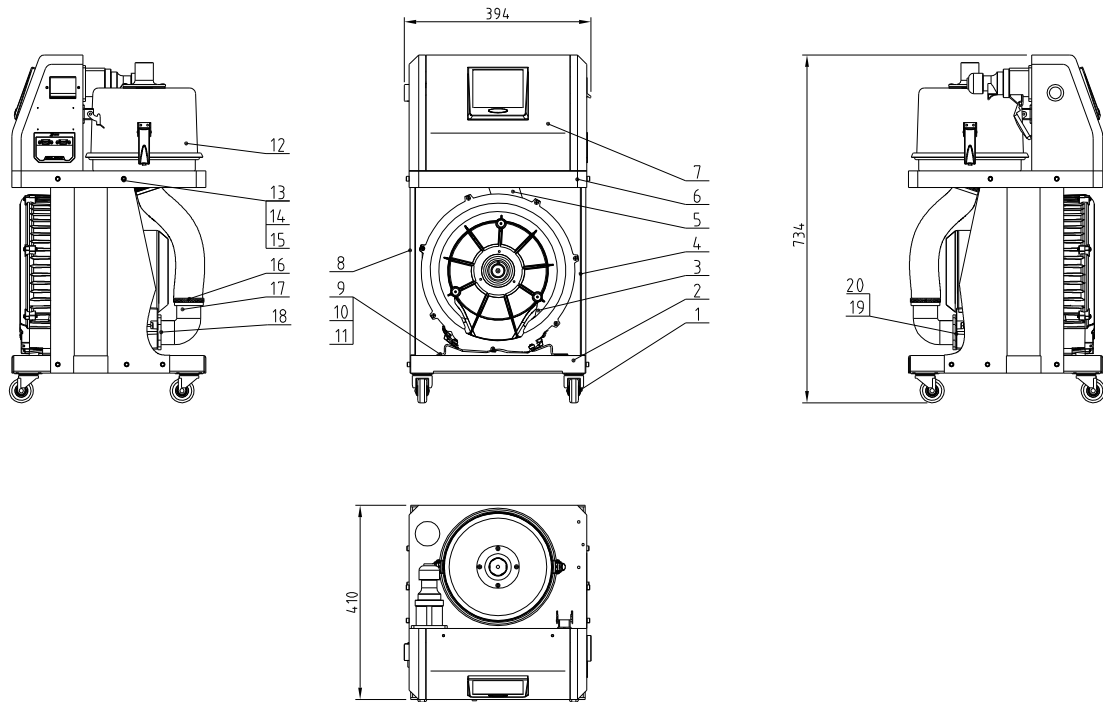
40	BL21000600120	Magnet cover	SUS201	1	
39	YW63062000000	Cross socket pan head screw GB/T-818 M6x20		1	
38	YW90257700000	Permanent magnet φ25-φ7x7	Permanent Magnet	1	
37	BH12000600010	Magnet sleeve	H58	1	
36	YW63061000000	Cross socket pan head screw GB/T-818 M6x10		2	
35	YR40000601100	Sensor shell	ABS	1	
34	YW63034.0000000	Cross socket pan head screw GB/T-818 M3x6		1	
33	YW64.000300000	Lock nut M3		1	
32	YW6304.0600000	Cross socket pan head screw GB/T-818 M6x6		2	
31	YR40010000200	Control box	ABS	1	
30		Control box base	SUS201	1	
29	BW20001500010	Air suction pipe	YL12	1	
28	YW62051500000	Large cross socket flat head screw JIS1111 M5-Longzine		4	
27	YR10000000200	Air suction pipe fastener	Rubber	1	
26	BL21000600620	Filter screen	SUS201	1	
25	YR10000300100	Hopper fastener	Rubber	1	
24	YR10061200000	Inlet pipe fastener	Rubber	1	
23	BL20036000320	1.5" Inlet pipe fixed piece	SUS201	1	
22	BL32000600020	Inlet pipe	SUS201	1	
21	YW6604.0800000	Flat washer A grade GB/T9711.4(Lx5X9X0.8)		4	
20	YW64.04.0700100	Non-metal insert hex lock nut GB/T889.1 M4		4	
19	BL21000601120	Mat. discharge plate fixed base	SUS201	1	
18	BL21000600720	Mat. discharge port	SUS201	1	
17	BL21000602320	Mat. discharge plate	SUS201	1	
16	YW66061300000	Flat washer A grade GB/T9711.6-Longzine		8	
15	YW65006000000	Standard spring washer GB/T93.6-Longzine		8	
14	YW61062000300	Inner hex. column head screw GB/T.70.1M6x20-Longzine		6	
13		Base fastener	EVA3.0	1	
12	YR20205500000	O-type seal ring inner dia. φ200x55	Rubber	1	
11		Hopper cover	SUS201	1	
10	YW020030004.00	Adjustable snap hook SAL-6U-A-3S	Assembly	3	
9	YR40000600800	Snap hook washer SAL-6U	ABS	3	
8	YW6604.0800000	Flat washer A grade GB/T9711.4(Lx5X9X0.8)-Longzine		10	
7	YW64.04.0700100	Non-metal insert hex lock nut GB/T889.1 M4		10	
6		Material storage hopper	SUS304	1	
5	YR40061500000	Star handle	Assembly	2	
4	YR40000601000	Vent window	ABS	1	
3	BL27000601320	Hopper fixed base	SUS304	1	
2	YW20000600500	Pressing block	YL112	4	
1	YW20000600000	Base	YL112	1	
No.	Part No.	Name	Material	Num.	Remarks

Mark	Before modification	After modification	Modified by	Modify date	Checked by	Date	Drawer	Version	Title	Drawing NO	Prop	1:5	Num	1	Remarks
							Designer	Approved by	SHR-6U	SHR-6U-A-ALL					Assembly
							Proofread by		Assembly Drawing						Surface
 信易电热机械股份有限公司 Shini Plastics Technologies, Inc.										Material number					



12	YW02003000400	Adjustable spring hook SAL-6U-A-35	Assembly	2	
11		Filter barrel suction flange	SUS201	1	
10	YW67041200600	Cross socket pan head self-tapping screw M4x2		4	
9	YR10243600000	Suction pipe round fastener SAL-24U/36U	Rubber	1	
8	YW09675100000	Small star nut 5/16 SHD-6~75KG-01-SJ	Alu. alloy	1	
7	YL22081000000	Transparent filter	PC	1	
6	BL20333640320	Filter barrel base	Assembly	1	
5	YR50708000100	Filter	Assembly	1	
4	YR10080000300	Filter barrel fastener	Rubber	1	
3	YR10243600000	Suction pipe round fastener SAL-24U/36U	Rubber	1	
2	BL20070000720	Filter barrel cover	SPCC15	1	
1	YR10080000000	Fastener	Rubber	1	
No.	Material number	Name	Mat.	Num.	Remarks

					Draw		Ver.		Title	SAL-810G	Drawing no.	SAL-810G-A-ALL	Scale	1:5	Num.	1
					Desi.		App.		Filter Barrel Assembly					Mat.	Assembly	
					Check		by		信易電熱機械股份有限公司 Shini Plastics Technologies, Inc.			Surface req.				
Mark	Before Mark	After Mod.	Modified by	Date	App.		Date						Mat No.			



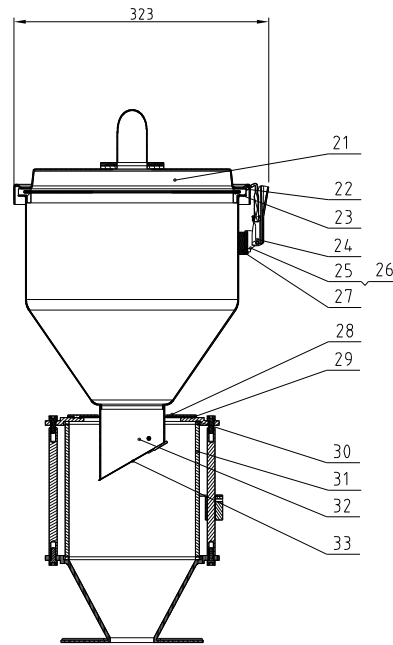
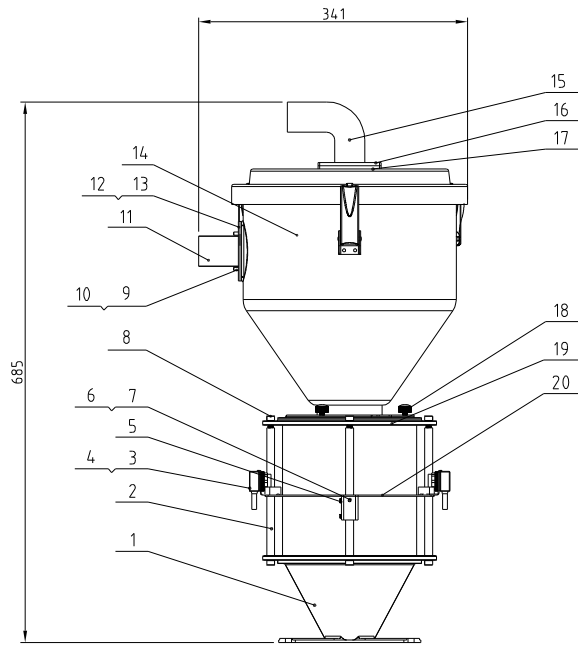
Tech. Req:

1 Main performance parameters:

- a. Throughput 500kg/hr (Tested material's bulk density: 0.65kg/L)
- b. Machine power: 3Φ, 400VAc, 50Hz;
- c. High-pressure blower power: 1.5kW,


20		Foot pipe pressing screen	SPCC2.5	1	
19		Foot pipe pressing screen sheet	Q235	1	
18	YR10002000000	Motor suction port tightener 2HP	Rubber		
17	YR40020000000	Air suction pipe elbow	ABS	1	
16	YW02002500000	Pipe clamp Ø57	Assembly	2	
15	YW65006000100	Standard spring washer GB/T93 6-Longzine		10	
14	YW66061300000	Flat gasket A grade GB/T97.1 6-Longzine		10	
13	YW60061500100	Hexagon screw bolt GB/15783 M6x10-4.8-Longzine		10	
12		Filter assembly	Assembly	1	
11	YW65008000100	Standard spring washer GB/T93 8-Longzine		4	
10	YW66082200100	Large washer C grade GB/T9688 6x24x21-Longzine		4	
9	YW60081600100	Hexagon screw bolt GB/15781 M6x16-4.8-Longzine		4	
8		Right side plate	SPCC2.0	1	
7		Control box	Assembly	1	
6		Fixed bracket	Assembly	1	
5	YR60500700100	Steel wire ext. PUR hose 2"	PUR	0.35m	
4		Left side plate	SPCC2.0	1	
3	BM30042000050	Steel Washer 80-4.20/2HP3 phase 230V/400V/50/60HZ 50	Assembly	1	
2		Base	SPCC2.0	1	
1	YW03000200000	Black castor 2"	Assembly	4	
No.	Part No.	Name	Material	Num.	Remarks

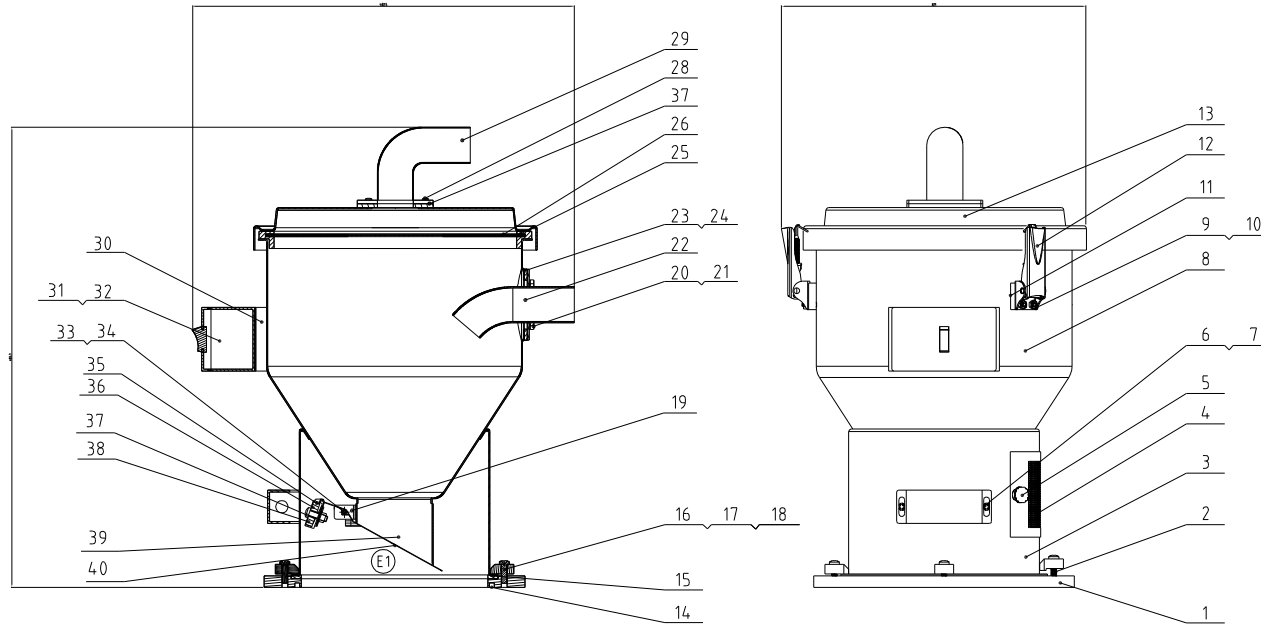
					Drawer	Version	Title	Drawing NO	Scale	1:10	Num	1
					Designer	Approved by	SAL-820G	SAL-820G-ALL				
					Proofread by		"Standard" Separate-vacuum Hopper Loader			Material	Assembly	
Mark	Before modification	After modification	Modified by	Modify date	Checked by	Date	信易電熱機械股份有限公司 Shini Plastics Technologies, Inc.		Surface			
									Material number			



Tech. Req:
 1. Main parameters:
 a. Storage hopper capacity: 6L
 b. Air source: 4-6kgf/cm²
 c. Voltage: DC24V

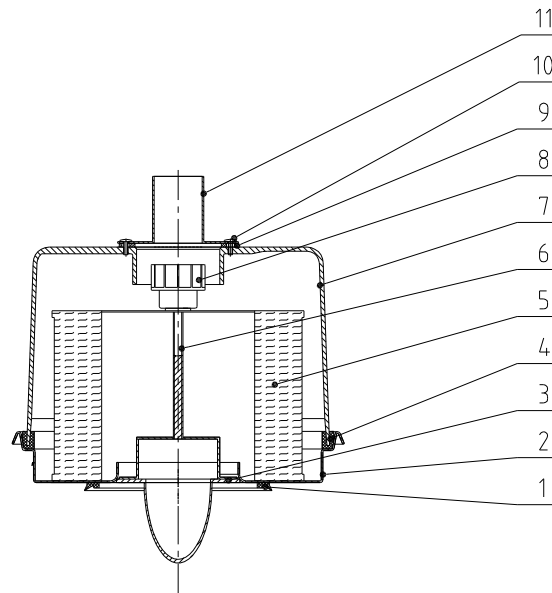
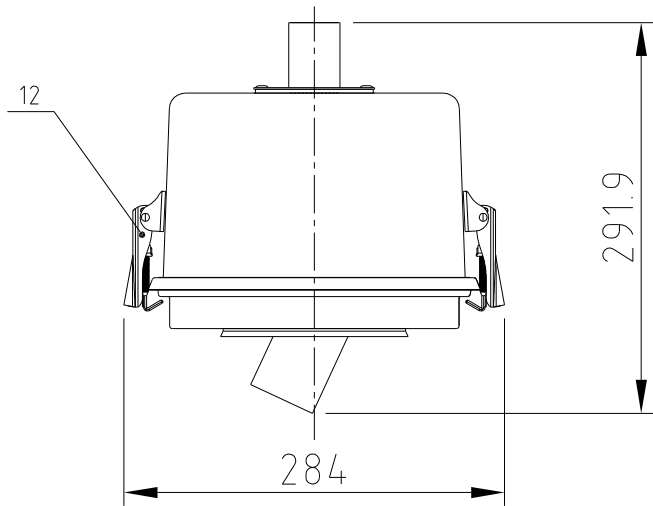
33	BL21001200520	Non-return piece	SUS201	1	
32	BL27001200720	Mat. discharge port	SUS201	1	
31	YW70171700000	Glass pipe $\phi 170 \times \phi 160 \times 170$	Glass	1	
30	YR10001200100	Glass pipe fastener SVH-12L-A-04(ver.0)	Silical gel	2	
29	BL90052003210	Vent flange	SUS201	1	
28	BL21001201220	Hopper flange	SUS202	1	
27	YR40000600800	Snap hook washer SAL-6U	ABS	4	
26	YW66040800000	Flat washer A grade GB/T19714 -Longzine		12	
25	YW64040700100	Non-metal insert hex. lock nut GB/T8991M6		12	
24	YW02003000400	Adjustable snap hook	Assembly	4	
23	YR10000600200	Hopper fastener	Rubber	1	
22	BL21001200320	Hopper screen	SUS201	1	
21	BL21120700320	Hopper cover	SUS304	1	
20	BL21001200120	Photo sensor fixed piece	SUS201	1	
19	BW32001200110	Glass pipe upper fastener	SUS202	1	
18	YW69621600000	Manual screw M6×15		3	
17	YR10000000200	Air suction pipe fastener	Rubber	1	
16	YW62051500000	Large cross socket flat head screw JIS1111 M5×16-Longzine		4	
15	BW20001500010	Air suction pipe	YL12	1	
14		Material storage hopper	Assembly	1	
13	YR10000600300	Inlet pipe fastener	Rubber	1	
12	BL20036000320	Inlet pipe fixed piece	SUS201	1	
11	BL32000600020	Inlet pipe	SUS201	1	
10	YW66040800000	Flat washer A grade GB/T19714 -Longzine		4	
9	YW64040700100	Non-metal insert hex. lock nut GB/T8991M6		4	
8	YW61061601200	Inner hex. column head screw GB/T 7017 M6×16-Longzine		8	
7	YW31616200000	Photosensor cable pressure block	SUS201	1	
6	YW63041200100	Cross socket pan head screw GB/T-818 M4×12-Longzine		4	
5	YW68004500000	Inner hex. flat end lock screw GB/T177 M4.5-Longzine		2	
4	BL90001000120	Photosensor fixed base	YL12	1	
3	YE15143900000	Photosensor FOTEK T18-3MN-PE	Assembly	1 pair	
2	BH10101600110	Flange connecting rod	Q235A	4	
1	BL21000610710	Glass pipe lower flange	SUS304	1	
No.	Part No.	Name	Material	Num.	Remarks

Mark	Before modification	After modification	Modified by	Modify date	Checked by	Date	Version	Version	Title	SVH-12L	Drawing No.	SVH-12L-A-ALL	Prop	1:6	Num.	1
							Designer	Approved by	Photosensor Hopper Receiver							
							Proofread by									
										 信易電熱機械股份有限公司 Shini Plastics Technologies, Inc.		Surface				
										Material number						



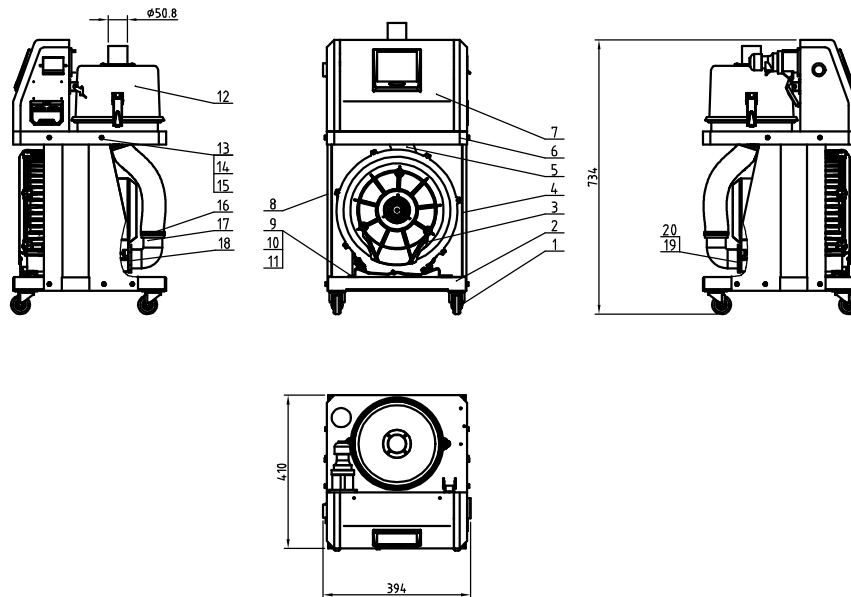
40	BL21000602320	Mat. discharge plate	SUS201	1	
39	BL21001210220	Mat. discharge port	SUS201	1	
38	BH12000600010	Magnet sleeve	H58	1	
37	YW90257700000	Permanent magnet $\varnothing 25 \times \varnothing 7 \times 7$	Permanent Magnet	1	
36	YW63062000000	Cross socket pan head screw GB/T-818 M6x20		1	
35	BL21000600120	Magnet cover	SUS201	1	
34	YW63034.0000000	Cross socket pan head screw GB/T-818 M3x40		1	
33	YW64.000300000	Lock nut M3		1	
32	YW6304.0600000	Cross socket pan head screw GB/T-818 M4x6		2	
31	YR4.0010000200	Control box	ABS	1	
30		Control box base	SUS201	1	
29	BW20001500010	Air suction pipe	YL12	1	
28	YW62051500000	Large cross socket flat head screw M5x16		4	
27	YR10000000200	Air suction pipe fastener	Rubber	1	
26	BL21000600620	Filter screen	SUS201	1	
25	YR10000300100	Hopper fastener	Rubber	1	
24	YR10000600300	Inlet pipe fastener	Rubber	1	
23	BL20036000320	Inlet pipe fixed piece	SUS201	1	
22	BL32000600020	Inlet pipe	SUS201	1	
21	YW6604.0800000	Flat washer A grade GB/T197 1.4(L) 5X9X0.81		4	
20	YW64.04.0700100	Non-metal insert hex. lock nut GB/T889.1M4		4	
19	BL21000601120	Mat. discharge plate fixed base	SUS201	1	
18	YW66061300000	Flat washer A grade GB/T197 1.6-Longzine		8	
17	YW65006000000	Standard spring washer GB/T193 6-Longzine		8	
16	YW61062000300	Inner hex. column head screw GB/T 381M6x26-Longzine		6	
15		Base fastener	EVA3.0	1	
14	YR20205500000	O-type seal ring inner dia $\varnothing 200 \times 5.5$	Rubber	1	
13	BL21001200220	Hopper cover	SUS201	1	
12	YW020030004.00	Adjustable snap hook SAL-6U-A-35	Assembly	3	
11	YR4.0000600800	Snap hook washer SAL-6U	ABS	3	
10	YW6604.0800000	Flat washer A grade GB/T197 1.4(L) 5X9X0.81-Longzine		10	
9	YW64.04.0700100	Non-metal insert hex. lock nut GB/T889.1M4		10	
8		Material storage hopper	SUS304	1	
7	YW63061000000	Cross socket pan head screw GB/T-818 M6x10 Longzine		2	
6	YR4.0000601100	Sensor shell	ABS	1	
5	YR4.0061500000	Star handle	Assembly	2	
4	YR4.0000601000	Vent window	ABS	1	
3	BL27000601320	Hopper fixed base	SUS304	1	
2	YW20000600500	Pressing block	YL112	4	
1	YW20006000000	Base	YL112	1	
No.	Part No.	Name	Material	Num	Remarks

Mark	Before modification	After modification	Modified by	Modify date	Checked by	Date	Title	SHR-12U Assembly Drawing	Drawing NO	SHR-12U-A-ALL	Prop	1:5	Num	1	Remarks	Material	Surface



12	YW02003000400	Adjustable spring hook SAL-6U-A-35	Assembly	2	
11		Filter barrel suction flange	SUS201	1	
10	YW67041200600	Cross socket pan head self-tapping screw M4x2		4	
9	YR10243600000	Suction pipe round fastener SAL-24U/36U	Rubber	1	
8	YW09675100000	Small star nut 5/16 SHD-6~75KG-01-SJ	Alu. alloy	1	
7	YL22081000000	Transparent filter	PC	1	
6	BL20333640320	Filter barrel base	Assembly	1	
5	YR50708000100	Filter	Assembly	1	
4	YR10080000300	Filter barrel fastener	Rubber	1	
3	YR10243600000	Suction pipe round fastener SAL-24U/36U	Rubber	1	
2	BL20070000720	Filter barrel cover	SPCC15	1	
1	YR10080000000	Fastener	Rubber	1	
No.	Material number	Name	Mat.	Num.	Remarks

					Draw		Ver.		Title	SAL-810G	Drawing no.	SAL-810G-A-ALL	Scale	1:5	Num.	1
					Desi.		App.		Filter Barrel Assembly					Mat.	Assembly	
					Check		by		SHINI 信易電熱機械股份有限公司 Shini Plastics Technologies, Inc.				Surface req			
Mark	Before Mark	After Mod.	Modified by	Date	App.		Date			Mat No.						

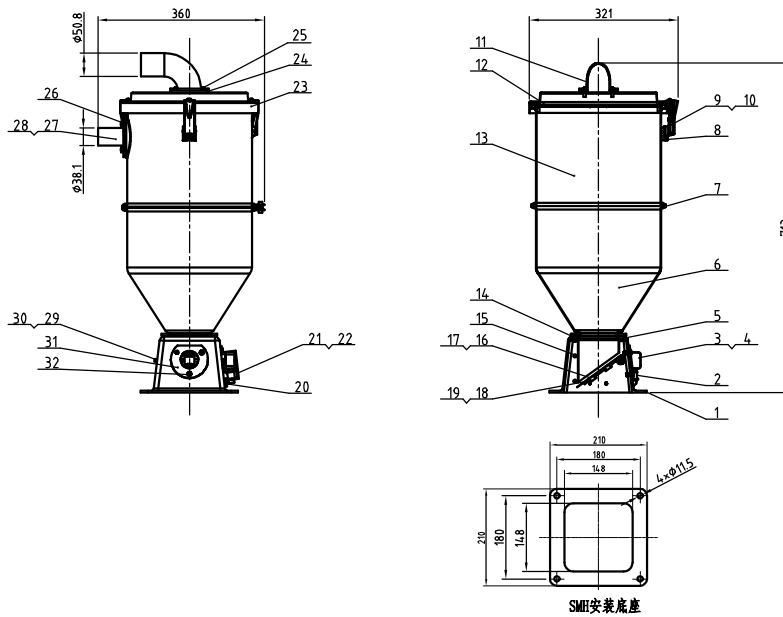


Tech. Req:
 1.Main parameters:
 a.Throughput:650kg/hr(Test mat. bulk density:0.65kg/L);
 b.Power supply:3 phase,400VAc, 50Hz;
 c.High pressure blower power:1.85kW;

20		Foot pipe pressing screen sheet	SPCC2.5	1	barrow
19		Foot pipe pressing screen	Q235	1	barrow
18	YR10002000000	Motor suction port tightener ZHP	rubber	1	
17		Air suction pipe elbow	ABS	1	barrow YR6002000000
16	YW02002500000	Pipe clamp φ57	Assembly	2	
15	YW65006000100	Standard spring washer GB/T93.6-Longline		10	
14	YW66061300000	Flat gasket A grade GB/T9716-Longline		10	
13	YW60061500100	Hexagon screw bolt GB/T5783 Hex9-A8-Longline		10	
12		Filter assembly	Assembly	1	
11	YW65008000100	Standard spring washer GB/T93.8-Longline		4	
10	YW66082200100	Large washer C grade GB/T3698 A24x21-Longline		4	
9	YW60081600100	Hexagon screw bolt GB/T5781 Hex16-A8-Longline		4	
8		Right side plate	SPCC2.0	1	barrow
7		Control box	Assembly	1	barrow
6		Fixed bracket	Assembly	1	barrow
5	YR60500700100	Steel wire ext. PUR hose 2"	PUR	0.35m	
4		Left side plate	SPCC2.0	1	barrow
3	BM30053000050	Shini blower RB-430 Small 3P/1.85kw	Assembly	1	
2		Base	SPCC2.0	1	barrow
1	YW03000200000	Black castor 2"	Assembly	4	

制图	版号	F	标题	SAL-830G	图号	SAL-830G-ALL	比例	1:10	数量	1
设计	核准		分高式真空填充机				表面要求	材质	组件	
标记	更改前	更改后	更改人	日期	审核	日期	物料号			





Tech. Req:
 1.Main parameters:
 a. Storage hopper capacity: 24L;
 2.Assembly Req:
 a. Adjust the opening of the discharge plate and the discharge port to be about 8mm;

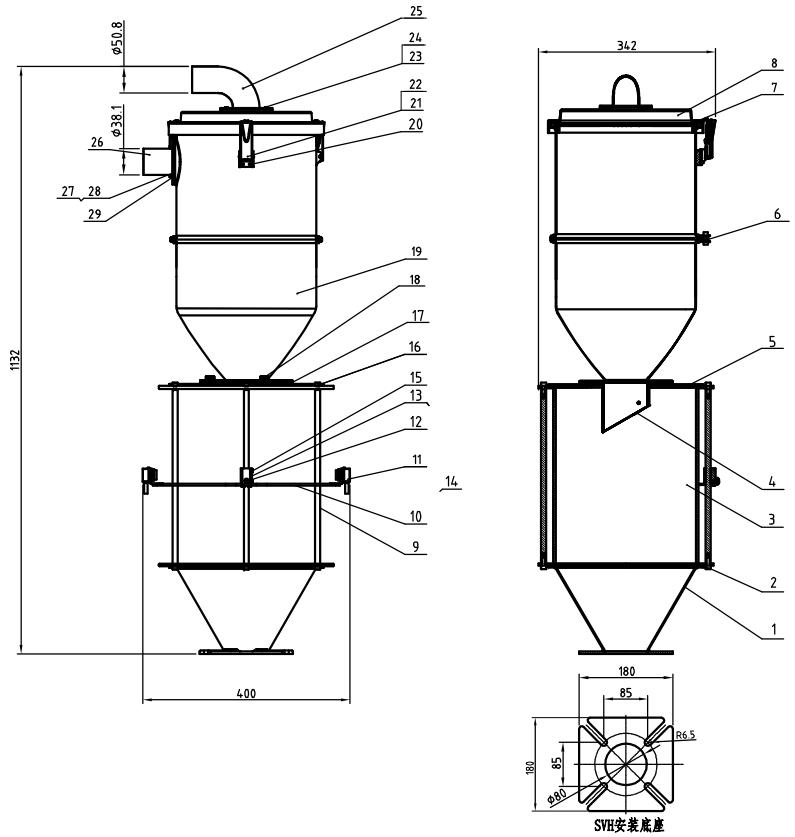
32	YW62061000000	Cross socket flat head screw M6x10	4.8	7	
31	YR40002400100	Air suction pipe	Assembly	1	
30	YW66000300000	Open check ring 5	65Mn	2	
29		Iron rod	Q235A	1	BH100614.0004.0 borrow
28		Inlet pipe	SUS201	1	BL2700120862.0 borrow
27		Inlet pipe fastener	Rubber	1	YR1024360000.0 borrow
26	YW66040800000	Flat washer 4	100HV	4	
25	YW62051500000	Cross socket pan head screw M5x6	4.8	4	
24	YR10000002000	Air suction pipe fastener	Rubber	1	
23		Hopper cover	SUS201	1	
22		Micro switch box	ABS	1	YR4033090000.0 borrow
21	YE14511200000	Micro switch LXW5-11G2	Assembly	1	
20	YW63041000000	Cross socket pan head screw M6x10	4.8	3	
19		Alu. accessories	YL112	1	BW2000010001.0 borrow
18		Mat. discharge plate rivet	Q235A	2	YW0103300000.0 borrow
17		Mat. discharge plate	SUS201	1	YW1000000010.0 borrow
16	YW01033000000	Spring	65Mn	2	
15		Silical hole	SUS304	1	BL2033360002.0 borrow
14	YW62052000000	Cross socket pan head screw M6x8	4.8	3	
13		Large hopper	SUS201	1	
12		Filter screen	Assembly	1	YR0000601000 borrow
11		Air suction pipe	SUS201	1	BW2000200001.0 borrow
10		Snap hook	Assembly	3	YW020030004.0 borrow
9	YR40000600800	Snap hook washer	ABS	3	
8	YW64040700100	Lock nut M6x0.7	04	10	
7		Pipe clamp	Assembly	1	BL2100120812.0 borrow
6		Material storage tank	Assembly	1	
5	YR10000000600	Base fastener	Rubber	2	
4	YW68005500000	Set screw M5x5	4.8	4	
3		With heavy-hammer	Alloy	1	YW2060210000.0 borrow
2		Pin lift mechanism	Assembly	1	BH1000060005.0 borrow
1		Square base (1mm type)	YL112	1	BA100400002.1 borrow

序号	代号	名称	材质	数量	备注
		标题	SMH-24L	图号	SMH-24L-50A-38M-A-ALL
			真空料斗	比例	1:8 数量 1
				表面要求	材质 组件
标记	更改前	更改后	更改人	日期	审核
				日期	20131206



物料号

机型版本号 Ver.B



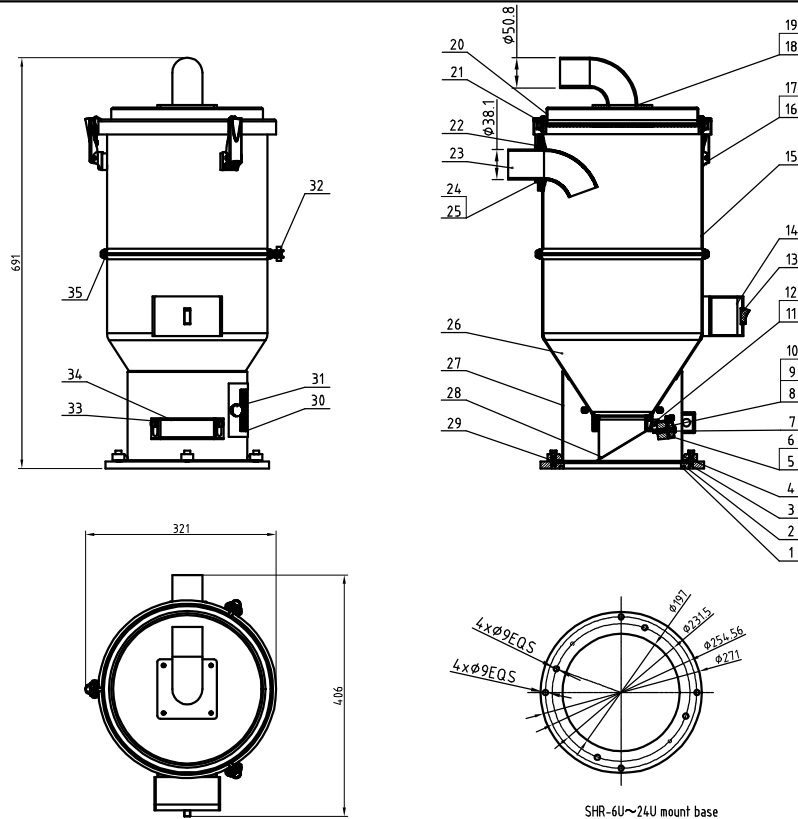
29	YW64040700100	Non-metal insert hexagon nut GB/T895.1-14	SUS201	4	
28		Material inlet pipe fixed plate	SUS201	1	BL270024017200mm
27		Feed pipe tighten	Rubber	1	YR102436000000mm
26		Material inlet pipe	Assembly	1	Item BL27001208620
25		Air suction pipe	SUS201	1	Item BL27002409620
24		Air suction pipe tighten	Rubber	1	YR100025000000mm
23	YW62051500000	Large cross socket T167 Head screw 25mm 16.5x1.6 L-Engsize		4	
22	YR40000600800	Snap hook pressure block SAL-4U	ABS	3	
21	YW02003000400	Snap hook SAL-4U-A-35	Assembly	3	
20	YW64040700100	Non-metal insert feed hexagon lock nut GB/T895.1-14		10	
19		Storage hopper	SUS304	1	
18	YW61061601200	Inner hexagon cylinder screw GB/T 19.719-19 L-Engsize		3	
17		Ventilation flange	SUS201	1	BL90052003210mm
16	YW61061601200	Inner hexagon cylinder screw GB/T 19.719-19 L-Engsize		12	
15	YW68004500000	Inner hexagon flat-head set screw GB/T177M L-Engsize		2	
14		Photosensor pressing block	SUS201	1	YW316162000000mm
13		Photosensor fixed base	YL112	1	BL90001000120mm
12	YW63041200100	Cross recessed pan head screw GB/T18984 L-Engsize		3	
11	YE15143900000	Photosensor FOTEK 118-39M-PE	Assembly	1 pair	
10		Photosensor fixed piece	SUS201	1	
9		Flange connecting rod	Q235	6	BH10103300010
8		Hopper cover	SUS201	1	BL21002402120mm
7		Filter screen	Assembly	1	Item
6		Hopper fastener	Assembly	1	BL21001208120mm
5		Glass pipe upper flange	SUS201	1	
4		Non-return piece	SUS201	1	BL21001200520mm
3		Glass pipe φ288×278-340	glass	1	YW702827000000
2		Glass pipe fastener	silica gel	4	YR10001200100mm
1		Glass pipe lower flange	SUS201	1	

制图	版号	I	标题	SVH-24L	图号	SVH-24L-50A-38M-A-ALL	比例	1:7	数量	1
设计	核准		装配图							
校对	核准									
标记	更改前	更改后	更改人	日期	审核	日期	2014.05.06	表面要求	材质	组合件

SHINI 信易電熱機械股份有限公司
Shini Plastics Technologies, Inc.

物料号

机型版本号: Ver B



SHR-6U~24U mount base

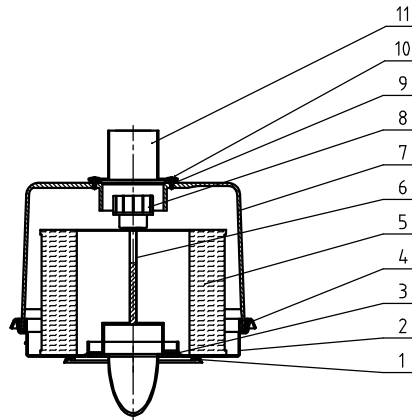
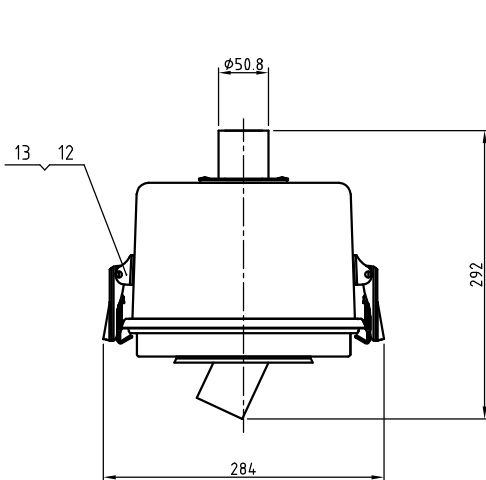
Tech. Req:
1 Main parameters:
a. Storage hopper capacity: 24L;

序号	代号	名称	材质	数量	备注
35	YR10241300100	Large hopper fastener SHR-24U-A-13 (white silica rubber seal)	white silica gel	1	
34	YW61061601200	Sensor shell	ABS	1	borrow
33	YW61061601200	Inner hex. column head screw GB/T 75.1Mx16-12.9-Longlife		2	
32	YW40061500000	Pipe clamp	Assembly	1	borrow
31	YR40061500000	Star handle SAL-6U/M6x15	Assembly	2	
30	YR40006010000	Vent window	Assembly	1	borrow
29	YW61062000300	Inner hex. column head screw GB/T 75.1Mx20-12.9-Longlife		4	
28		Mat. discharge plate	SUS201	1	
27		Hopper fixed base	SUS304	1	borrow
26		Material storage hopper	SUS304	1	
25	YW64040700100	Non-metal insert hex. lock nut GB/T889.1M6		4	
24	YW66041000000	Flat washer A grade GB/T97.1 4U-S39X18.0-Longlife		4	
23	BL27001208620	Inlet pipe	Assembly	1	borrow
22		Inlet pipe fastener	Rubber	1	
21		Filter screen	Assembly	1	borrow
20		Hopper cover	SUS304	1	
19		Air suction pipe	SUS201	1	
18		Inlet pipe fastener	Rubber	1	
17	YW02003000400	Snap hook SAL-4U-A-35	Assembly	3	
16	YR40006060800	Snap hook washer SAL-6U	ABS	3	
15		Large hopper	SUS201	1	
14	BH90615000010	Water-proof connection box WDJH-100	ABS	1	
13	YE10210400000	White alternative switch R210-CSLBW4P	Assembly	1	
12	YW64000300000	Non-metal insert hex. lock nut GB/T889.1M3		1	
11	YW63034000000	Cross socket pan head screw GB/T-818 M3x6- Longlife		1	
10		With weight	HPD59-1	1	
9	YW64000600200	Non-metal insert hex. lock nut GB/T889.1M6		1	
8		Magnet sleeve	HPD59-1	1	borrow
7	YW63063500000	Cross socket pan head screw GB/T-818 M6x35- Longlife		1	
6		Magnet cover	SUS201	1	borrow
5	YW90257700000	Permanent magnet φ25xφ7x7	permanent magnet	1	
4		Pressing block	YL112	4	borrow
3		Base fastener	EVA2.0	1	borrow
2		Base	YL112	1	borrow
1	YR20205500000	O-type seal ring inner dia. φ200x5.5	Rubber	1	

制图	版号	G	标题
设计			SHR-24U 欧化真空料斗
校对			
审核			
日期	20101008		

比例	数量	1
1:6		
材质		
表面要求		
物料号		





13	YW69041200900	Open type flat round head blind rivets Ø5.0xL4.16xH3.0	SUS201	4	
12	YW020030004.00	Adjustable spring hook SAL-40-A-35	Assembly	2	
11		Filter barrel suction port	SUS201	1	2" suction port
10	YW67041600700	Cross socket pan head self-tapping screw M4xL6.3		4	
9	YR10243600000	Suction pipe round fastener SAL-24U/36U	Rubber	1	
8	YW09675100000	Small star nut 5/16 SHD-6~75KG-Ø1-SJ	Alu. alloy	1	
7		Transparent filter	PC	1	YL22081000100 borrow
6		Filter barrel base	Assembly	1	BL20333640320 borrow
5	YR50708000100	Filter	Assembly	1	
4		Filter barrel fastener	Nitrile rubber (white)	1	YR10080000300 borrow
3	YR10243600000	Suction pipe round fastener SAL-24U/36U	Rubber	1	
2		Filter barrel cover	SPCC15	1	BL20070000720 borrow
1		Fastener	Rubber	1	YR10080000000 borrow
序号 代 号			材 质	数 量	备 注

					制图		版号	C	标题	SAL-830G	图号	SAL-830G-A-ALL	比例	1:5	数量	1
					设计		核		过滤器组合							
					校对		准									
标记	更改前	更改后	更改人	日期	审核		日期	20170331					表面要求			
													物料			

SHINI 信易電熱機械股份有限公司
Shini Plastics Technologies, Inc.

号