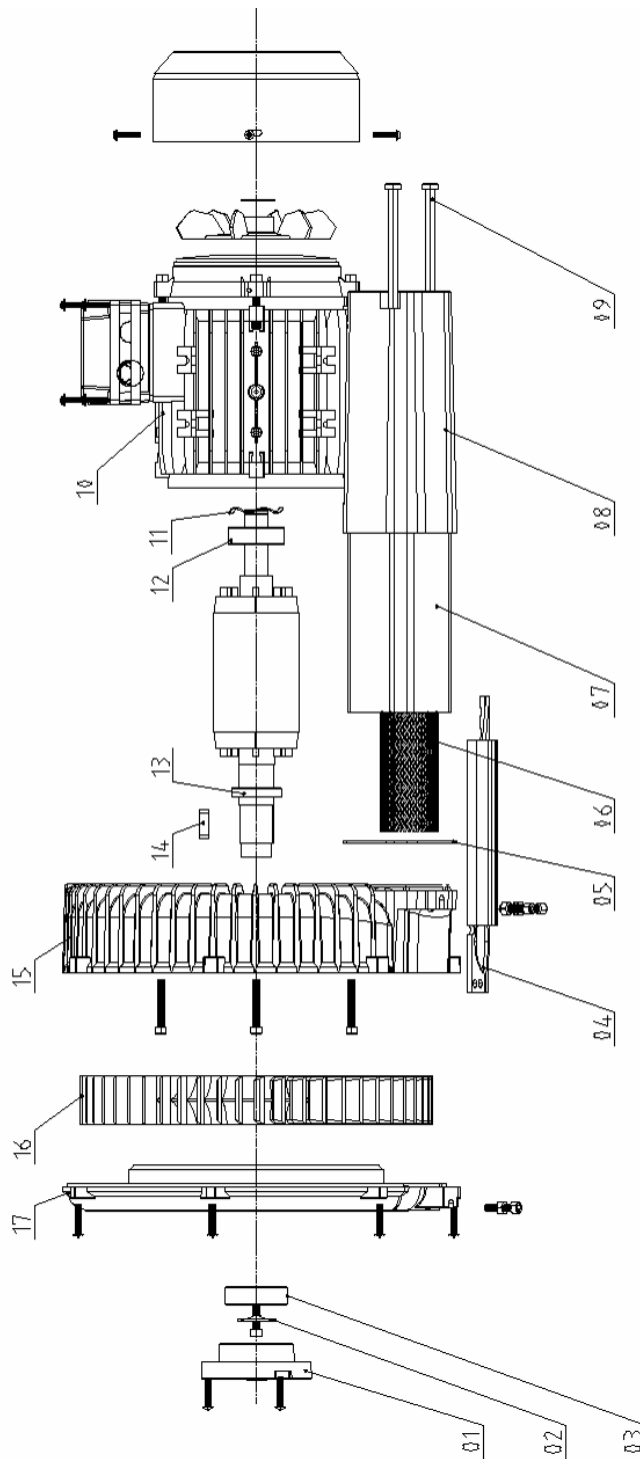


1.1 Assembly Drawing

1.1.1 Assembly Drawing (RB)



Assembly Drawing (RB)

1.1.2 Parts List (RB)

Parts List (RB)

No.	Name	Stock No.			
		RB-125	RB-205	RB-310	RB-420
1	Bearing cover	-	-	-	BA20020000110
2	Bearing stator	BH10010000020	BH10010200020	BH10010000020	BH10020000020
3	Bearing	YW11600100000	YW11620200000	YW11620400000	YW11620500000
4	Blower bottom plate	BL9001020002	BL90010200020	BL90010000020	BL90020000020
5	Fastener	BP62010000020	BP62010200020	BP62010000020	BP62020300020
6	Noise reduction screen	BL90031010020	BL90020500220	BL90031010020	BL90020300020
7	Sponge	YP6200100000	YP62000500000	YP62001000000	YP62002000000
8	Feet tube	BA20001001010	BA20010200510	BA20001001010	BA20002001010
9	Hex screw	YW61615000000	YW61615000000	YW61615000000	YW60820000000
10	Motor	YM10125400000	YM10020500000	YM10031000000	YM10042000000
11	Corrugated gasket	YW66310500000	YW66220100000	YW66220100100	YW66220100100
12	Bearing	YW11620100000	YW11620300000	YW11620400000	YW11620400000
13	Grease seal	YR80125500000	YR80322200000	YR80284000000	YR8030420000
14	Round head flat key	-	-	-	-
15	Fixing palte of blower	BA20125010010	BA20010200210	BA20001000110	BA20002000310
16	Blower blade	BA20125020010	BA20010200010	BA20001000010	BA20002000010
17	Blade guard	BA20125030010	BA20010200410	BA20001000310	BA20002000410

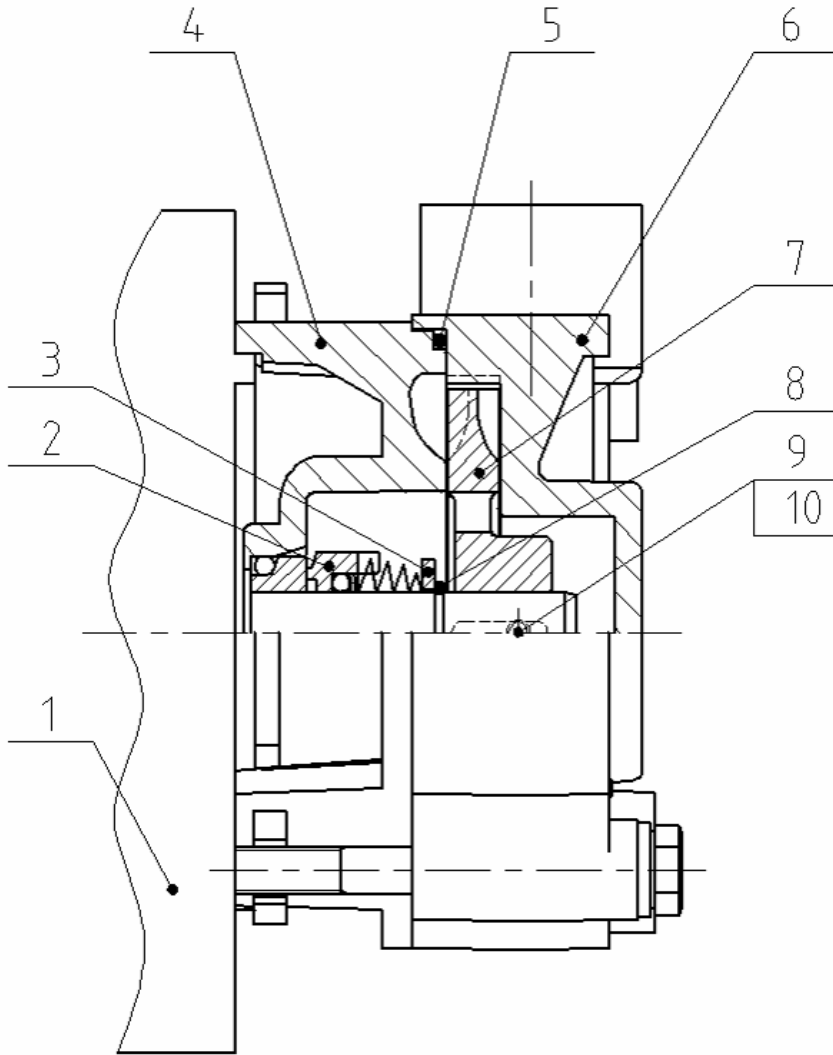
* means possible broken parts. ** means easy broken part. and spare backup is suggested. Please confirm the version of manual before placing the purchase order to guarantee that the item number of the spare part is in accordance with the real object.

Parts List (RB)

No.	Name	Stock No.			
		RB-535	RB-550	RB-750	RB-850
1	Bearing cover	BW30000500010	BW30000500010	BW3000100001	BW3000100001
2	Fixing plate Of the bearing	BH10030000020	BH10030000020	BL90471100020	BL90471100020
3	Bearing	YW11620500000	YW11620500000	YW11620700100	YW11620700100
4	Base plate of blower	BL90003000120	BL90003000120	BW30010000010	BW30010000010
5	Fastener	BP62020300020	BP62020300020	YR10137300000	YR10137300000
6	Noise reduction screen	BL90020300020	BL90020300020	BL90727200020	BL90727200020
7	Sponge	YP62002000000	YP62002000000	YP62010000000	YP62010000000
8	Feet tube	BA20002001010	BA20002001010	BW30001001010	BW30001001010
9	Outer hexgon screw	YW60820000000	YW60820000000	YW60101200000	YW60101200000
10	Electrical machine	YM10053500100	YM10055000100	YM10130290000	YM10130290000
11	Corrugated gasket	YW66220100200	YW66220100200	YW66897200000	YW66897200000
12	Bearing	YW11620600000	YW11620600000	-	-
13	Grease seal	YR80354700000	YR80354700000	-	-
14	Round head flat key	-	-	-	-
15	Fixing plate of blower	BA20003000310	BA20003000310	BA20010000110	BA20010000110
16	Blower blade	BA20003000110	BA20003000110	BA20010000010	BA20010000010
17	Blade guard	BA20003000410	BA20003000410	BA20010000210	BA20010000210

* means possible broken parts. ** means easy broken part. and spare backup is suggested. Please confirm the version of manual before placing the purchase order to guarantee that the item number of the spare part is in accordance with the real object.

1.1.3 Assembly Drawing (TP)



Assembly Drawing (TP)

1.1.4 Parts List (TP)

Parts List (TP)

No.	Name	Stock No.		
		TP-37	TP-55	TP-75
1	Electrical machine	YM10037100000	YM10055000200	YM10075000000
2	Thank you & best regards	BR90912500010	BR90912500010	BR90912500110
3	Flat washer	YW66181000000	YW66181000000	YW66201200000
4	Shaft seal base	BW33005500110	BW33005500110	BW33007500110
5	O ring	YR20075200000	YR20075200000	YR20092200000
6	Pump	BW33005500210	BW33005500210	BW33007500210
7	Pump blade	BW33055000310	BW33055000310	BW33075000310
8	Circlip for shaft	YW69001000000	YW69001000000	YW69001200000
9	Round head flat key	YW10550400000	YW10550400000	YW10550400000
10	Set screw	YW61040400000	YW61040400000	YW61040400000

* means possible broken parts. ** means easy broken part. and spare backup is suggested. Please confirm the version of manual before placing the purchase order to guarantee that the item number of the spare part is in accordance with the real object.

Parts List (TP)

No.	Name	Stock No.		
		TP-150	TP-280	TP-400
1	Electrical machine	YM10015000000	YM10028000000	YM10040000000
2	Thank you & best regards	BR90912500210	BR90912500310	BR90912500310
3	Flat washer	-	BW66281300020	BW66281300020
4	Shaft seal base	BW33015000110	BW33028000210	BW33028000210
5	O ring	YR20105300000	YR20125200000	YR20125200000
6	Pump	BW33015000210	BW33028000110	BW33028000110
7	Pump blade	BW33015000310	BW3302800031	BW3302800031
8	Circlip for shaft	YW69001600000	YW69002100000	YW69002100000
9	Round head flat key	YW10150400000	YW10280400000	YW10280400000
10	Set screw	YW61505000100	YW61505000100	YW61505000100

* means possible broken parts. ** means easy broken part. and spare backup is suggested. Please confirm the version of manual before placing the purchase order to guarantee that the item number of the spare part is in accordance with the real object.