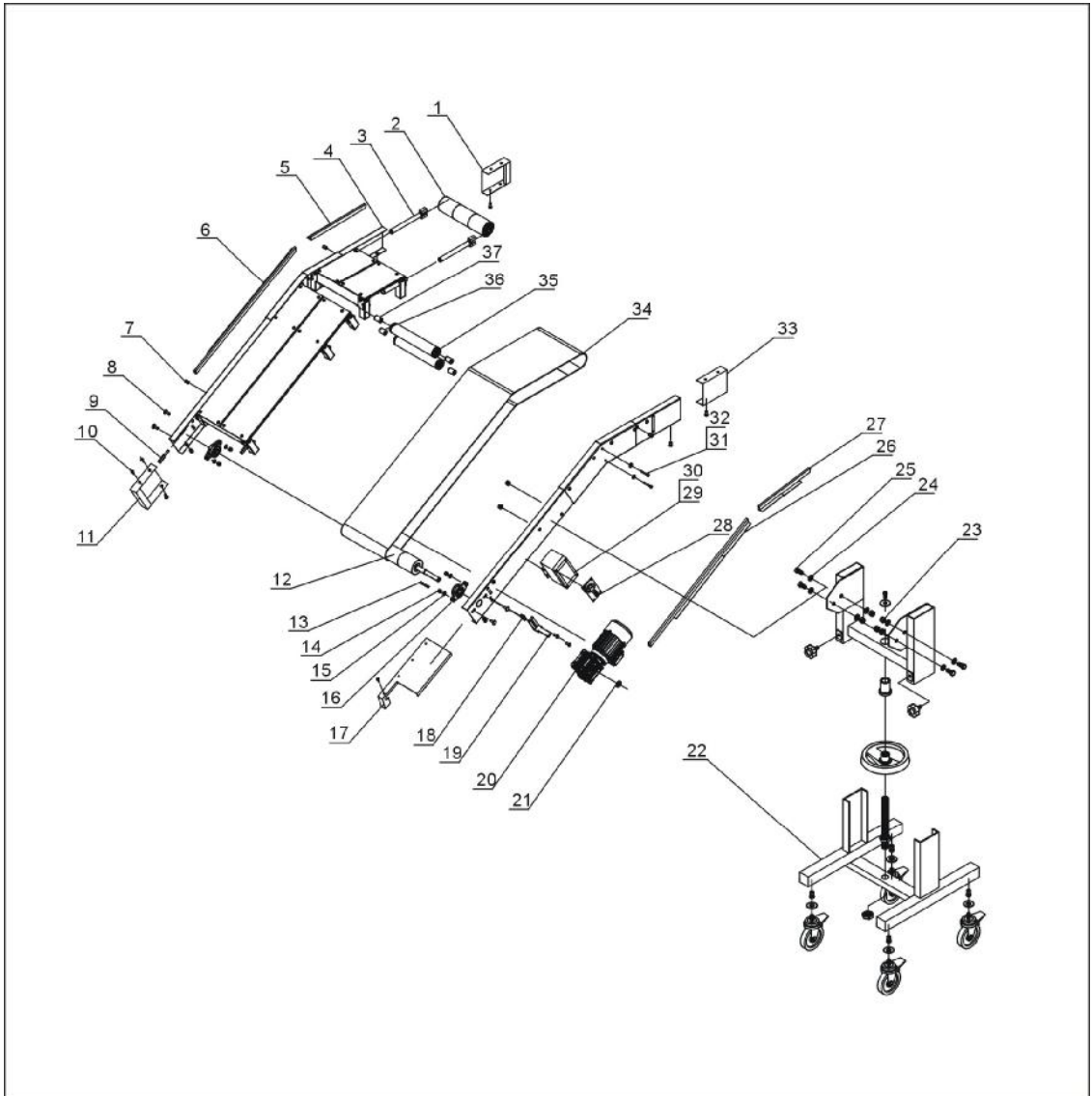


## 2.2 Assembly Drawing

### 2.2.1 Assembly Drawing



Note: Please refer to 2.2.2 material list about the parts code.

Picture 2-3: Assembly Drawing

## 2.2.2 Parts List

Chart 2-1: Parts List (SV-1)

No.	Name	Part No.	No.	Name	Part No.
1	Top side plate cover	-	20	Gear motor	YM50102000000
2	Iron stick	YW08013103100	21	Flexible block ring for holes	YW69002200100
3	Butterfly screw	BH10000103040	22	Pedestal	-
4	Conveyor assembly map	-	23	Screw nut	-
5	Upper left baffle	-	24	Washer	-
6	Lower left baffle	-	25	Adjusting bolt	YW69122500000
7	Smooth screw nut	-	26	Lower right baffle	-
8	External hexagon bolt	YW60082500300	27	Upper right baffle	-
9	Hexagon screw	-	28	Speed governor	YE80200000100
10	External hexagon bolt	YW60082000300	29	Speed governor cover	-
11	Lower left cover	-	30	Speed governor shell	-
12	Rubber roller	YW08012602600	31	External hexagon bolt	-
13	Common flat key	BH10668000010	32	Flat washer	YW66061800000
14	Star screw nut	YW61000800200	33	Upper side plate cover	-
15	Flat gasket	YW66081600000	34	Conveying belt	YR00060100100
16	Bearing pedestal	YW11205100100	35	Iron stick	YW08013203200
17	Gear motor shield	-	36	Iron stick pad	BH10000222210
18	Rivet nut	YW64080200000	37	Iron stick pad	BL56000222440
19	Motor holder	-			

\* means possible broken parts.

\*\* means easy broken part. and spare backup is suggested.

Please confirm the version of manual before placing the purchase order to guarantee that the item number of the spare part is in accordance with the real object.

Chart 2-2: Parts List (SV-2)

No.	Name	Part No.	No.	Name	Part No.
1	Top side plate cover	-	20	Gear motor	YM50102000000
2	Iron stick	YW08021001000	21	Flexible block ring for holes	YW69002200100
3	Butterfly screw	BH10000103040	22	Pedestal	-
4	Conveyor assembly map	-	23	Screw nut	-
5	Upper left baffle	-	24	Washer	-
6	Lower left baffle	-	25	Adjusting bolt	YW69122500000
7	Smooth screw nut	-	26	Lower right baffle	-
8	External hexagon bolt	YW60082500300	27	Upper right baffle	-
9	Hexagon screw	-	28	Speed governor	YE80200000100
10	External hexagon bolt	YW60082000300	29	Speed governor cover	-
11	Lower left cover	-	30	Speed governor shell	-
12	Rubber roller	YW08012602600	31	External hexagon bolt	-
13	Common flat key	BH10668000010	32	Flat washer	YW66061800000
14	Star screw nut	YW61000800200	33	Upper side plate cover	-
15	Flat gasket	YW66081600000	34	Conveying belt	YR00060100100
16	Bearing pedestal	YW11205100100	35	Iron stick	YW08021101100
17	Gear motor shield	-	36	Iron stick pad	BH10000222210
18	Rivet nut	YW64080200000	37	Iron stick pad	BL56000222440
19	Motor holder	-			

\* means possible broken parts.

\*\* means easy broken part. and spare backup is suggested.

Please confirm the version of manual before placing the purchase order to guarantee that the item number of the spare part is in accordance with the real object.

Chart 2-3: Parts List (SV-3)

No.	Name	Part No.	No.	Name	Part No.
1	Top side plate cover	-	20	Gear motor	YM50102000000
2	Iron stick	YW08031001000	21	Flexible block ring for holes	YW69002200100
3	Butterfly screw	BH10000103040	22	Pedestal	-
4	Conveyor assembly map	-	23	Screw nut	-
5	Upper left baffle	-	24	Washer	-
6	Lower left baffle	-	25	Adjusting bolt	YW69122500000
7	Smooth screw nut	-	26	Lower right baffle	-
8	External hexagon bolt	YW60082500300	27	Upper right baffle	-
9	Hexagon screw	-	28	Speed governor	YE80200000100
10	External hexagon bolt	YW60082000300	29	Speed governor cover	-
11	Lower left cover	-	30	Speed governor shell	-
12	Rubber roller	YW08012602600	31	External hexagon bolt	-
13	Common flat key	BH10668000010	32	Flat washer	YW66061800000
14	Star screw nut	YW61000800200	33	Upper side plate cover	-
15	Flat gasket	YW66081600000	34	Conveying belt	YR00060100100
16	Bearing pedestal	YW11205100100	35	Iron stick	YW08031101100
17	Gear motor shield	-	36	Iron stick pad	BH10000222210
18	Rivet nut	YW64080200000	37	Iron stick pad	BL56000222440
19	Motor holder	-			

\* means possible broken parts.

\*\* means easy broken part. and spare backup is suggested.

Please confirm the version of manual before placing the purchase order to guarantee that the item number of the spare part is in accordance with the real object.

Chart 2-4: Parts List (SV-4)

No.	Name	Part No.	No.	Name	Part No.
1	Top side plate cover	-	20	Gear motor	YM50102000000
2	Iron stick	YW08013103100	21	Flexible block ring for holes	YW69002200100
3	Butterfly screw	BH10000103040	22	Pedestal	-
4	Conveyor assembly map	-	23	Screw nut	-
5	Upper left baffle	-	24	Washer	-
6	Lower left baffle	-	25	Adjusting bolt	YW69122500000
7	Smooth screw nut	-	26	Lower right baffle	-
8	External hexagon bolt	YW60082500300	27	Upper right baffle	-
9	Hexagon screw	-	28	Speed governor	YE80200000100
10	External hexagon bolt	YW60082000300	29	Speed governor cover	-
11	Lower left cover	-	30	Speed governor shell	-
12	Rubber roller	YW08012602600	31	External hexagon bolt	-
13	Common flat key	BH10668000010	32	Flat washer	YW66061800000
14	Star screw nut	YW61000800200	33	Upper side plate cover	-
15	Flat gasket	YW66081600000	34	Conveying belt	YR00060100100
16	Bearing pedestal	YW11205100100	35	Iron stick	YW08013203200
17	Gear motor shield	-	36	Iron stick pad	BH10000222210
18	Rivet nut	YW64080200000	37	Iron stick pad	BL56000222440
19	Motor holder	-			

\* means possible broken parts.

\*\* means easy broken part. and spare backup is suggested.

Please confirm the version of manual before placing the purchase order to guarantee that the item number of the spare part is in accordance with the real object.

Chart 2-5: Parts List (SV-5)

No.	Name	Part No.	No.	Name	Part No.
1	Top side plate cover	-	20	Gear motor	YM50102000000
2	Iron stick	YW08021001000	21	Flexible block ring for holes	YW69002200100
3	Butterfly screw	BH10000103040	22	Pedestal	-
4	Conveyor assembly map	-	23	Screw nut	-
5	Upper left baffle	-	24	Washer	-
6	Lower left baffle	-	25	Adjusting bolt	YW69122500000
7	Smooth screw nut	-	26	Lower right baffle	-
8	External hexagon bolt	YW60082500300	27	Upper right baffle	-
9	Hexagon screw	-	28	Speed governor	YE80200000100
10	External hexagon bolt	YW60082000300	29	Speed governor cover	-
11	Lower left cover	-	30	Speed governor shell	-
12	Rubber roller	YW08012602600	31	External hexagon bolt	-
13	Common flat key	BH10668000010	32	Flat washer	YW66061800000
14	Star screw nut	YW61000800200	33	Upper side plate cover	-
15	Flat gasket	YW66081600000	34	Conveying belt	YR00060100100
16	Bearing pedestal	YW11205100100	35	Iron stick	YW08021101100
17	Gear motor shield	-	36	Iron stick pad	BH10000222210
18	Rivet nut	YW64080200000	37	Iron stick pad	BL56000222440
19	Motor holder	-			

\* means possible broken parts.

\*\* means easy broken part. and spare backup is suggested.

Please confirm the version of manual before placing the purchase order to guarantee that the item number of the spare part is in accordance with the real object.

Chart 2-6: Parts List (SV-6)

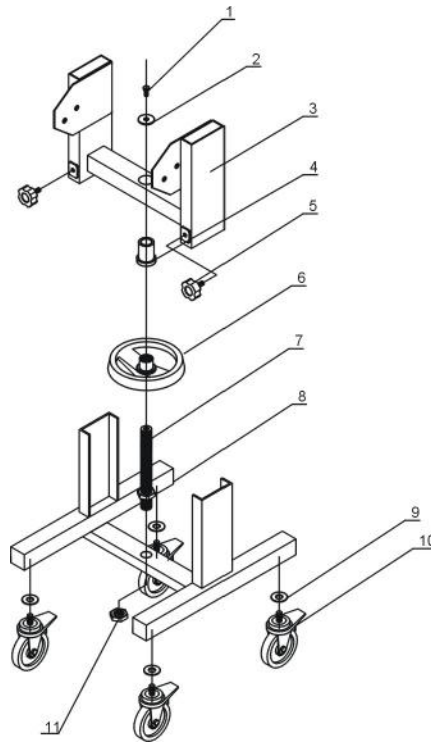
No.	Name	Part No.	No.	Name	Part No.
1	Top side plate cover	-	20	Gear motor	YM50102000000
2	Iron stick	YW08031001000	21	Flexible block ring for holes	YW69002200100
3	Butterfly screw	BH10000103040	22	Pedestal	-
4	Conveyor assembly map	-	23	Screw nut	-
5	Upper left baffle	-	24	Washer	-
6	Lower left baffle	-	25	Adjusting bolt	YW69122500000
7	Smooth screw nut	-	26	Lower right baffle	-
8	External hexagon bolt	YW60082500300	27	Upper right baffle	-
9	Hexagon screw	-	28	Speed governor	YE80200000100
10	External hexagon bolt	YW60082000300	29	Speed governor cover	-
11	Lower left cover	-	30	Speed governor shell	-
12	Rubber roller	YW08012602600	31	External hexagon bolt	-
13	Common flat key	BH10668000010	32	Flat washer	YW66061800000
14	Star screw nut	YW61000800200	33	Upper side plate cover	-
15	Flat gasket	YW66081600000	34	Conveying belt	YR00060100100
16	Bearing pedestal	YW11205100100	35	Iron stick	YW08031101100
17	Gear motor shield	-	36	Iron stick pad	BH10000222210
18	Rivet nut	YW64080200000	37	Iron stick pad	BL56000222440
19	Motor holder	-			

\* means possible broken parts.

\*\* means easy broken part. and spare backup is suggested.

Please confirm the version of manual before placing the purchase order to guarantee that the item number of the spare part is in accordance with the real object.

### 2.2.3 Pedestal Parts



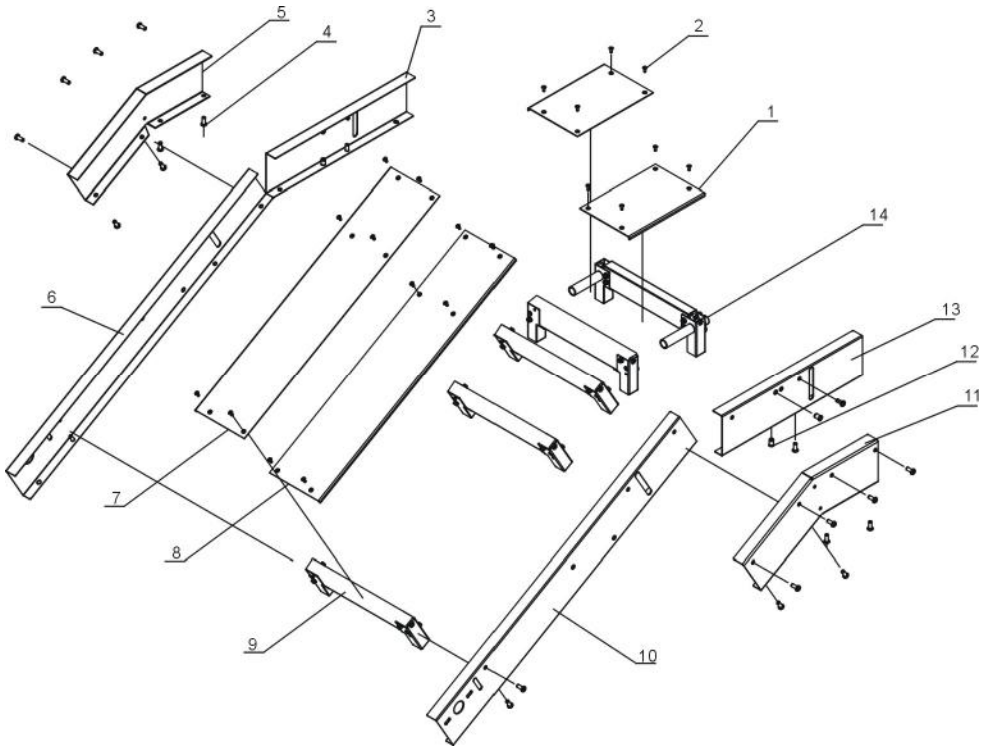
Parts name:

- |                   |                  |               |                            |
|-------------------|------------------|---------------|----------------------------|
| 1. Adjusting bolt | 2. Flat washer   | 3. Lifter     | 4. Adjusting rubber sleeve |
| 5. Star screw     | 6. Driving wheel | 7. Screw      | 8. Pedestal                |
| 9. Flat washer    | 10. Castor       | 11. Screw nut |                            |

Picture 2-3: Pedestal Parts



## 2.2.4 Main Frame Components



Parts name:

- |                             |                             |                          |
|-----------------------------|-----------------------------|--------------------------|
| 1. Top plate                | 2. Cross self-tapping screw | 3. Upper left side plate |
| 4. Screw with flat gasket   | 5. Left connecting plate    | 6. Lower left side plate |
| 7. Bottom left side plate   | 8. Bottom right plate       | 9. Beam 1 assembly map   |
| 10. Bottom right side plate | 11. Right connecting plate  | 12. Rivet nut            |
| 13. Upper right side plate  | 14. Beam 2 assembly map     |                          |

Picture 2-3: Main Frame Components