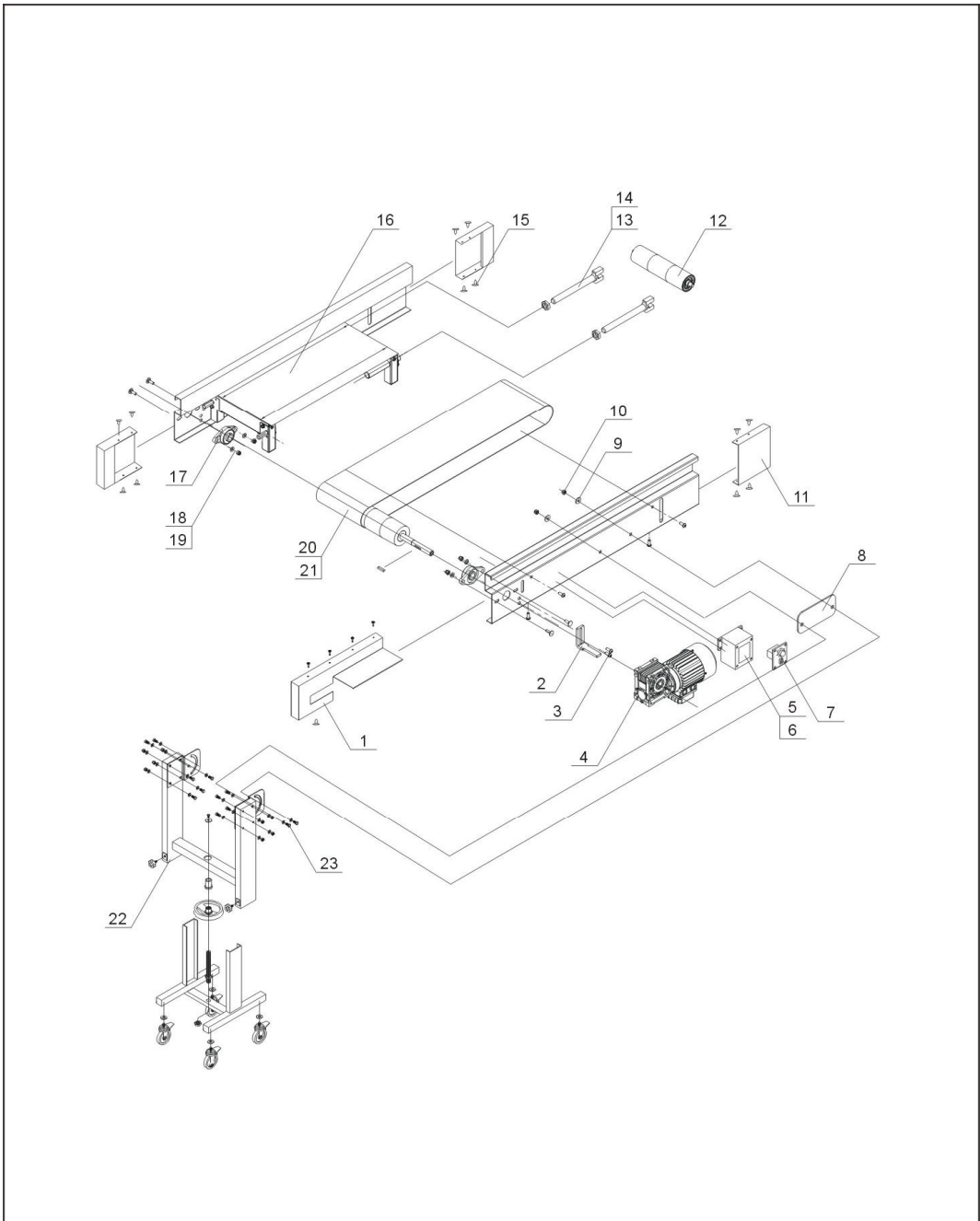


## 2.2 Assembly Drawing

### 2.2.1 Assembly Drawing



Note: Please refer to 2.2.2 material list about the parts code.

Picture 2-3: Assembly Drawing

## 2.2.2 Parts list

Table 2-1: Parts List (PNL-1)

No.	Name	Part No.	No.	Name	Part No.
1	End cover 2	BL56000042020	13	Butterfly screw	BH10401101140
2	Motor holder	BL56000000420	14	Hexagon thin nut	YW64200100000
3	Hexagon screw bolt	YW60082500300	15	Hexagon self-tapping screw	YW66061210000
4	Gear motor	YM50102000000	16	Conveying belt assembly map	-
5	Speed governor shell	BL56000240020	17	Bearing block parts	YW11205100100
6	Speed governor cover	BL56000140020	18	Flat gasket	YW66122400000
7	Speed governor	YE80200000100	19	Star screw nut	YW64012100000
8	Holder pad	BL56004300020	20	Conveying belt	YR00120000200
9	Gasket	YW66122400000	21	Conveying wheel	YW08041200000
10	Star screw nut	YW64012100000	22	Exploded view of pedestal	BL56110020021
11	End cover 1	BL56000041020	23	Hexagon screw bolt	YW60122500100
12	Iron stick	YW08010600600			

Table 2-2: Parts List (PNL-2)

No.	Name	Part No.	No.	Name	Part No.
1	End cover 2	BL56000042020	13	Butterfly screw	BH10401101140
2	Motor holder	BL56000000420	14	Hexagon thin nut	YW64200100000
3	Hexagon screw bolt	YW60082500300	15	Hexagon self-tapping screw	YW66061210000
4	Gear motor	YM50102000000	16	Conveying belt assembly map	-
5	Speed governor shell	BL56000240020	17	Bearing block parts	YW11205100100
6	Speed governor cover	BL56000140020	18	Flat gasket	YW66122400000
7	Speed governor	YE80200000100	19	Star screw nut	YW64012100000
8	Holder pad	BL56004300020	20	Conveying belt	YR00220000200
9	Gasket	YW66122400000	21	Conveying wheel	YW08020500500
10	Star screw nut	YW64012100000	22	Exploded view of pedestal	-
11	End cover 1	BL56000041020	23	Hexagon screw bolt	YW60122500100
12	Iron stick	YW08020600600			

\* means possible broken parts.

\*\* means easy broken part. and spare backup is suggested.

Please confirm the version of manual before placing the purchase order to guarantee that the item number of the spare part is in accordance with the real object.

Table 2-3: Parts List (PNL-3)

No.	Name	Part No.	No.	Name	Part No.
1	End cover 2	BL56000042020	13	Butterfly screw	BH10401101140
2	Motor holder	BL56000000420	14	Hexagon thin nut	YW64200100000
3	Hexagon screw bolt	YW60082500300	15	Hexagon self-tapping screw	YW66061210000
4	Gear motor	YM50102000000	16	Conveying belt assembly map	-
5	Speed governor shell	BL56000240020	17	Bearing block parts	YW11205100100
6	Speed governor cover	BL56000140020	18	Flat gasket	YW66122400000
7	Speed governor	YE80200000100	19	Star screw nut	YW64012100000
8	Holder pad	BL56004300020	20	Conveying belt	YR00320000200
9	Gasket	YW66122400000	21	Conveying wheel	YW08030500500
10	Star screw nut	YW64012100000	22	Exploded view of pedestal	-
11	End cover 1	BL56000041020	23	Hexagon screw bolt	YW60122500100
12	Iron stick	YW08030600600			

Table 2-4: Parts List (PNL-4)

No.	Name	Part No.	No.	Name	Part No.
1	End cover 2	BL56000042020	13	Butterfly screw	BH10401101140
2	Motor holder	BL56000000420	14	Hexagon thin nut	YW64200100000
3	Hexagon screw bolt	YW60082500300	15	Hexagon self-tapping screw	YW66061210000
4	Gear motor	YM50102000000	16	Conveying belt assembly map	-
5	Speed governor shell	BL56000240020	17	Bearing block parts	YW11205100100
6	Speed governor cover	BL56000140020	18	Flat gasket	YW66122400000
7	Speed governor	YE80200000100	19	Star screw nut	YW64012100000
8	Holder pad	BL56004300020	20	Conveying belt	YR00420000400
9	Gasket	YW66122400000	21	Conveying wheel	YW08041701700
10	Star screw nut	YW64012100000	22	Exploded view of pedestal	-
11	End cover 1	BL56000041020	23	Hexagon screw bolt	YW60122500100
12	Iron stick	YW08041801800			

\* means possible broken parts.

\*\* means easy broken part. and spare backup is suggested.

Please confirm the version of manual before placing the purchase order to guarantee that the item number of the spare part is in accordance with the real object.

Table 2-5: Parts List (PNL-5)

No.	Name	Part No.	No.	Name	Part No.
1	End cover 2	BL56000042020	13	Butterfly screw	BH10401101140
2	Motor holder	BL56000000420	14	Hexagon thin nut	YW64200100000
3	Hexagon screw bolt	YW60082500300	15	Hexagon self-tapping screw	YW66061210000
4	Gear motor	YM50102000000	16	Conveying belt assembly map	-
5	Speed governor shell	BL56000240020	17	Bearing block parts	YW11205100100
6	Speed governor cover	BL56000140020	18	Flat gasket	YW66122400000
7	Speed governor	YE80200000100	19	Star screw nut	YW64012100000
8	Holder pad	BL56004300020	20	Conveying belt	YR00520000200
9	Gasket	YW66122400000	21	Conveying wheel	YW08044501700
10	Star screw nut	YW64012100000	22	Exploded view of pedestal	-
11	End cover 1	BL56000041020	23	Hexagon screw bolt	YW60122500100
12	Iron stick	YW08050600600			

Table 2-6: Parts List (PNL-6)

No.	Name	Part No.	No.	Name	Part No.
1	End cover 2	BL56000042020	13	Butterfly screw	BH10401101140
2	Motor holder	BL56000000420	14	Hexagon thin nut	YW64200100000
3	Hexagon screw bolt	YW60082500300	15	Hexagon self-tapping screw	YW66061210000
4	Gear motor	YM50102000000	16	Conveying belt assembly map	-
5	Speed governor shell	BL56000240020	17	Bearing block parts	YW11205100100
6	Speed governor cover	BL56000140020	18	Flat gasket	YW66122400000
7	Speed governor	YE80200000100	19	Star screw nut	YW64012100000
8	Holder pad	BL56004300020	20	Conveying belt	YR00620000200
9	Gasket	YW66122400000	21	Conveying wheel	YW08046004500
10	Star screw nut	YW64012100000	22	Exploded view of pedestal	-
11	End cover 1	BL56000041020	23	Hexagon screw bolt	YW60122500100
12	Iron stick	YW09502800000			

\* means possible broken parts.

\*\* means easy broken part. and spare backup is suggested.

Please confirm the version of manual before placing the purchase order to guarantee that the item number of the spare part is in accordance with the real object.

Table 2-7: Parts List (PNL-7)

No.	Name	Part No.	No.	Name	Part No.
1	End cover 2	BL56000042020	13	Butterfly screw	BH10401101140
2	Motor holder	BL56000000420	14	Hexagon thin nut	YW64200100000
3	Hexagon screw bolt	YW60082500300	15	Hexagon self-tapping screw	YW66061210000
4	Gear motor	YM50102000000	16	Conveying belt assembly map	-
5	Speed governor shell	BL56000240020	17	Bearing block parts	YW11205100100
6	Speed governor cover	BL56000140020	18	Flat gasket	YW66122400000
7	Speed governor	YE80200000100	19	Star screw nut	YW64012100000
8	Holder pad	BL56004300020	20	Conveying belt	YR00420007500
9	Gasket	YW66122400000	21	Conveying wheel	YW08047004500
10	Star screw nut	YW64012100000	22	Exploded view of pedestal	-
11	End cover 1	BL56000041020	23	Hexagon screw bolt	YW60122500100
12	Iron stick	YW08047007800			

Table 2-8: Parts List (PNL-8)

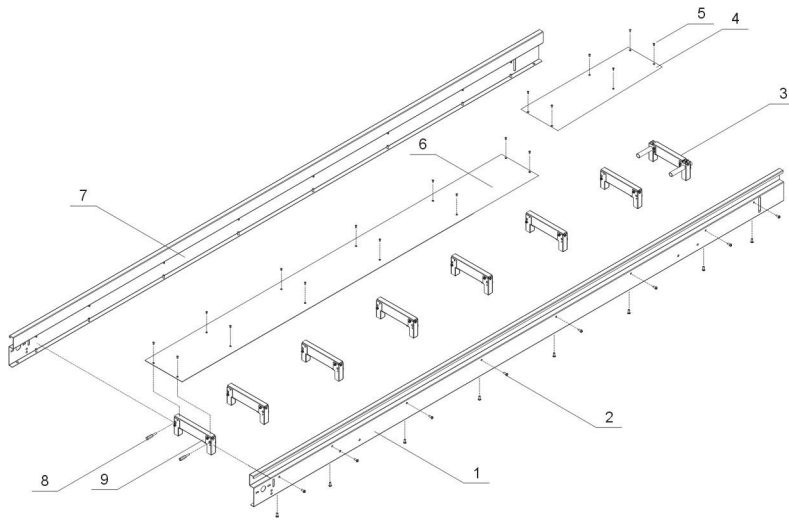
No.	Name	Part No.	No.	Name	Part No.
1	End cover 2	BL56000042020	13	Butterfly screw	BH10401101140
2	Motor holder	BL56000000420	14	Hexagon thin nut	YW64200100000
3	Hexagon screw bolt	YW60082500300	15	Hexagon self-tapping screw	YW66061210000
4	Gear motor	YM50102000000	16	Conveying belt assembly map	-
5	Speed governor shell	BL56000240020	17	Bearing block parts	YW11205100100
6	Speed governor cover	BL56000140020	18	Flat gasket	YW66122400000
7	Speed governor	YE80200000100	19	Star screw nut	YW64012100000
8	Holder pad	BL56004300020	20	Conveying belt	YR00420008500
9	Gasket	YW66122400000	21	Conveying wheel	YW08048004500
10	Star screw nut	YW64012100000	22	Exploded view of pedestal	-
11	End cover 1	BL56000041020	23	Hexagon screw bolt	YW60122500100
12	Iron stick	YW08047008800			

\* means possible broken parts.

\*\* means easy broken part. and spare backup is suggested.

Please confirm the version of manual before placing the purchase order to guarantee that the item number of the spare part is in accordance with the real object.

### 2.2.3 Holder Parts

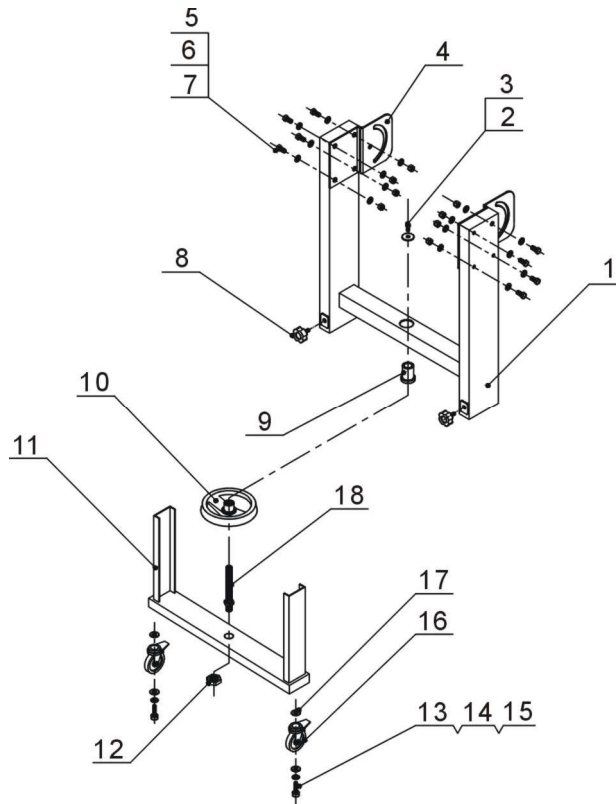


Parts name:

- |                 |                            |                        |
|-----------------|----------------------------|------------------------|
| 1. Side plate   | 2. Hexagon screw bolt      | 3. Beam 2 assembly map |
| 4. Panel 2      | 5. Cross socket sunk screw | 6. Panel 1             |
| 7. Side plate 2 | 8. Hexagon screw           | 9. Beam 1 assembly map |

Picture 2-3: Holder Parts

## 2.2.4 Pedestal Parts



Parts name:

- |                                     |                          |                     |
|-------------------------------------|--------------------------|---------------------|
| 1. Lifter assembly map              | 2. Adjusting bolt        | 3. Flat gasket      |
| 4. Adjusting plate                  | 5. Hexagon screw bolt    | 6. Flat gasket      |
| 7. Lock nut                         | 8. Star screw            | 9. Adjusting sleeve |
| 10. Driving wheel                   | 11. Pedestal welding map | 12. Star screw nut  |
| 13. Inner hexagon cylindrical screw | 14. Spring gasket        | 15. Flat gasket     |
| 16. Castor                          | 17. Flat gasket          | 18. Main screw      |

Picture 2-3: Pedestal Parts