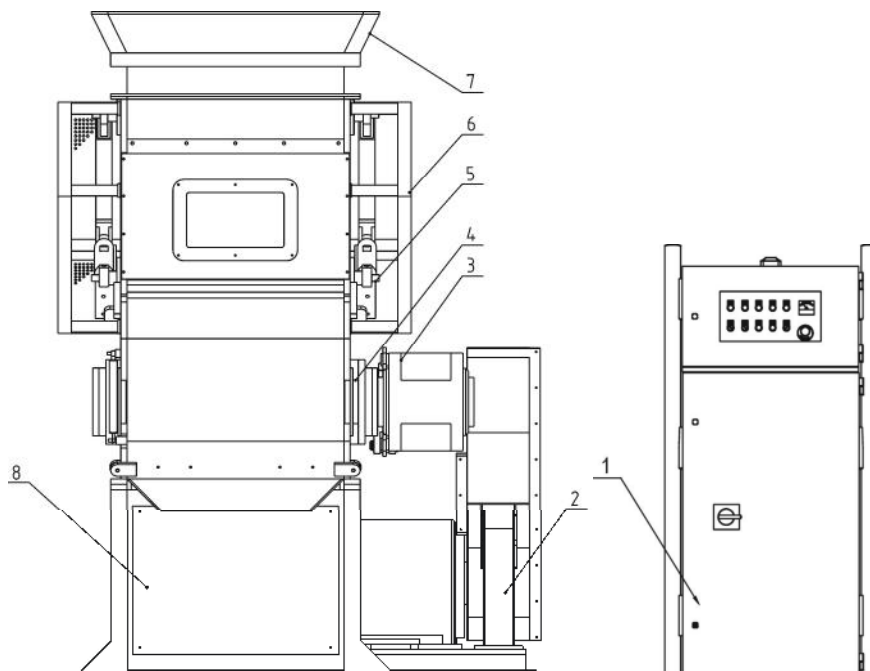


## 2.3 Assembly Drawing

### 2.3.1 Assembly Drawing



Note: Please refer to 2.3.2 material list about the parts code.

Picture 2-7: Assembly Drawing

### 2.3.2 Parts List

Table 2-1: Parts List

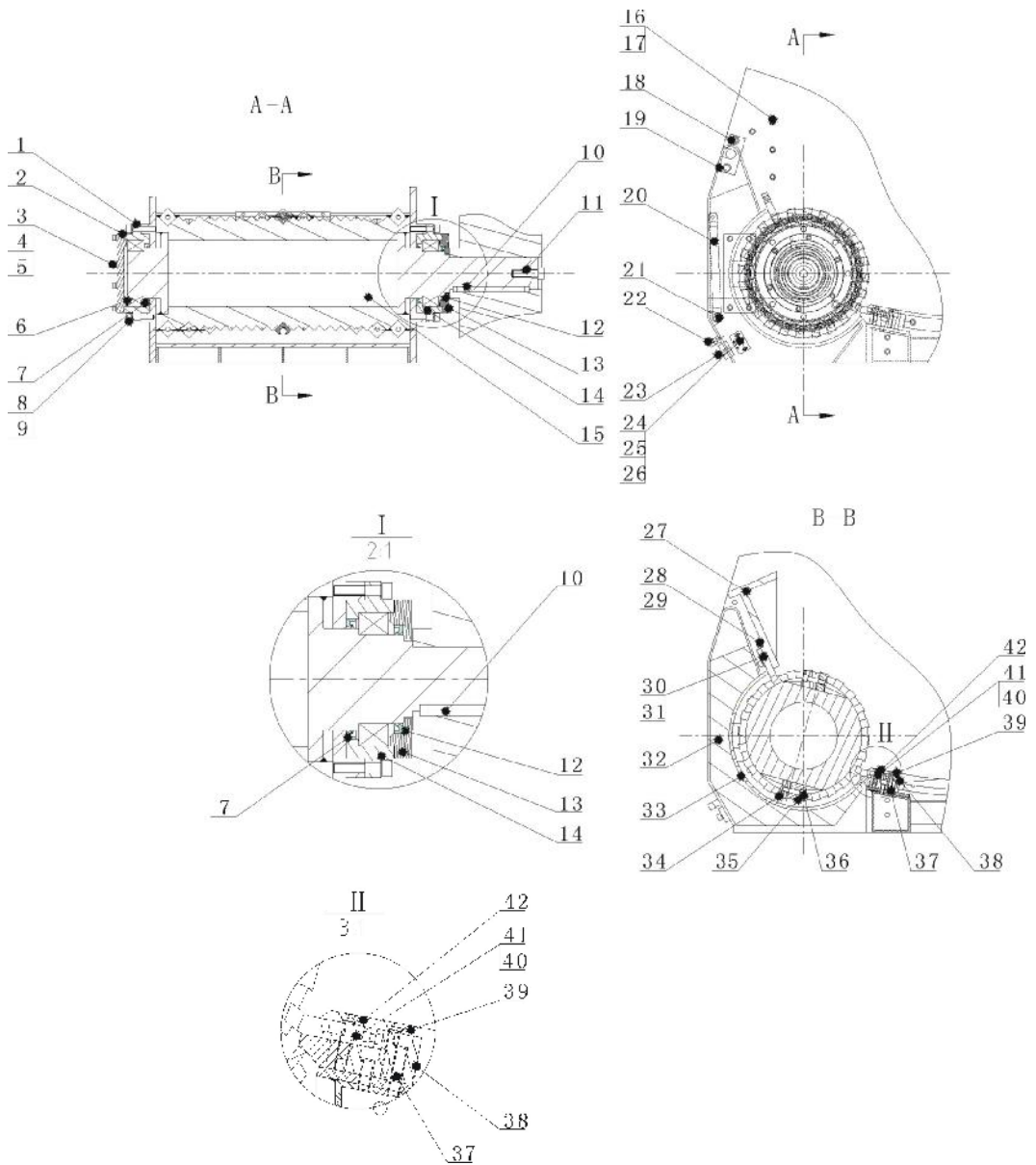
No.	Name	Part No.	
		SGS-6080S	SGS-75120S
1	Electric control cabinet assembly drawing	-	
2	Base dynamic drawing	-	
3	Support arm buffer assembly drawing	-	
4	Cutting chamber assembly drawing	-	
5	Pushing mechanism	-	
6	Pushing block shield	-	
7	Right connecting rod	-	
8	Connecting rod fixed flange	BH11080450040	BH11080450040

\* means possible broken parts.

\*\* means easy broken part. and spare backup is suggested.

Please confirm the version of manual before placing the purchase order to guarantee that the item number of the spare part is in accordance with the real object.

### 2.3.3 Cutting Chamber Structure



Picture 2-8: Cutting Chamber Structure

### 2.3.4 Cutting Mechanism Parts List

Table 2-2: Cutting Mechanism Parts List

No.	Name	Parts No.	
		SGS-6080S	SGS-75120S
1	Left bearing erection loop	BH11801242010	BW31751201710
2	Bearing left end cap	BH10801020010	BH10751201310
3	Inner hex screw M10x40*	YW61104000000	YW61104000000
4	Spring washer Ø10*	YW65012000000	YW65012000000
5	Flat washer Ø12x24*	YW66122400000	YW66122400000
6	Roller bearing 23028CDE4	YW11230280000	YW11231300000
7	Rotation axis ip-type oacking FB160190	YR20160190000	YR20182100000
8	Inner hex screw M16x70*	YW61167000000	YW61167000000
9	Spring washer Ø16*	YW65016000000	YW65016000000
10	Main shaft key	BH11801070010	BH11801070010
11	Inner hex screw M24x70*	YW61247000000	YW61247000000
12	Rotation axis lip-typepacking FB140170	YR20140170000	YR20160190000
13	Bearing right end cap	BH10801050010	BH10751200310
14	Right bearing rection loop	BH10801320010	BW31751201810
15	Tool rest	BH10801200210	BH10751200110
16	Inner hex screw M12x45*	YW61124500000	YW61166000000
17	Flat washer Ø12x24*	YW66122400000	YW65016000000
18	Inner hex screw M14x30*	YW61143000000	YW61143000000
19	Screen frame fixed block	BH10801560010	BH10801560010
20	Air spring 525x200 90kg	YW01060000100	YW01170010000
21	Cotter pin GB9586 4x30	YW09254000000	YW09254000000
22	Alumimum square handle	BW20012000040	BW20012000040
23	Inner hex screw M12x45*	YW61123500000	YW61123500000
24	Switch fixed plate	-	-
25	Innerhex screw M6x25*	YW61062500100	YW61062500100
26	Flat washer Ø6x13*	YW66061300000	YW66061300000
27	Fixed mount manuscript	BH10801060010	BH10751200410
28	Inner hex screw M8x40*	YW61084000000	YW61085000000
29	Hexnut M8*	YW64080600000	YW64080600000
30	Upper left fixed blade	YW43801200000	BW31751201110
31	Upper right fixed blade	YW43801070000	BW31751201210
32	Frame welding drawing	-	-
33	Screen	BL53801210020	BL53751200320
34	Rotate blade*	YW43801290000	YW43801290000
35	Rotate fixed plate	BH11801290010	BH11751200410

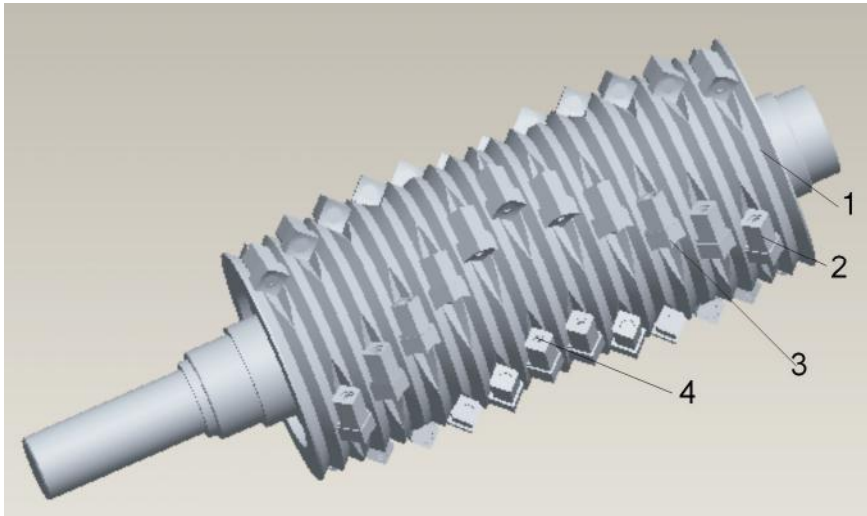
No.	Name	Parts No.	
		SGS-6080S	SGS-75120S
36	Inner hex screw M14x55*	YW61145500000	YW61145500000
37	Inner hex screw M12x60*	YW61260000000	YW61124500000
38	Lower fixed blade assembly block	BH11801040010	BH11751207110 BH11751207210
39	Inner hex sunk screw M12x50*	YW61250000000	YW61250000000
40	Upper left fixed blade*	YW43801210000	BW31751201310
41	Upper right fixed blade*	YW43801010000	BW31751201410
42	Lower fixed blade pressing block	BH11801210010	BL53751200420 BL53751200520

\* means possible broken parts.

\*\* means easy broken part. and spare backup is suggested.

Please confirm the version of manual before placing the purchase order to guarantee that the item number of the spare part is in accordance with the real object.

### 2.3.5 Blades Assembly



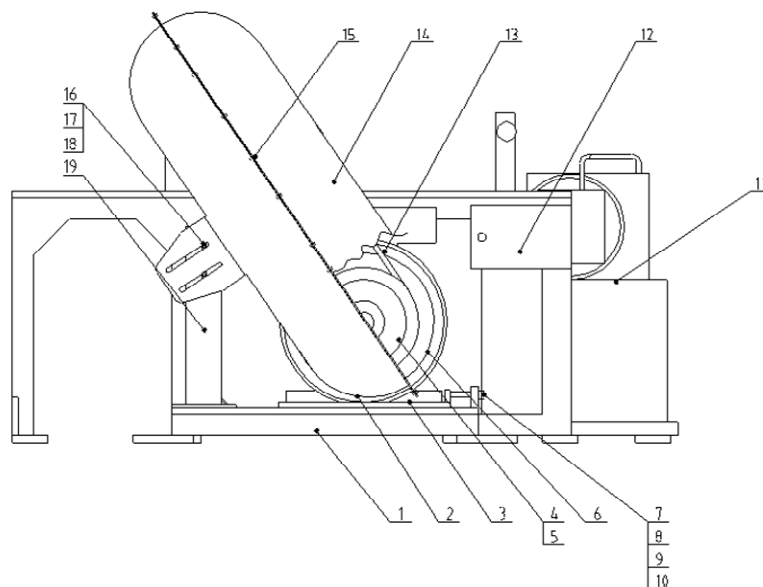
Picture 2-9: Blades Assembly

### 2.3.6 Blades Assembly Parts List

Table 2-3: Blades Assembly Parts List

No.	Name	Number	
		SGS-6080S	SGS-75120S
1	Main shaft	BH10801200210	BH10751200110
2	Rotate blade fixed block	BH11801290010	BH11751200410
3	Rotate blade	YW43801290000	YW43801290000
4	Inner hex screw M14x55	YW61145500000	YW61145500000

## 2.3.7 Driving Medium



Picture 2-10: Driving Medium

## 2.3.8 Driving Medium Parts List

Table 2-4: Driving Medium Parts List

No.	Name	Part No.	
		SGS-6080S	SGS-75120S
1	Base welding drawing	-	-
2	Pulley lower lid	-	-
3	Motor bottom plate	BH10080120010	BH10751201810
4	Pulley SPC300x4	YW61330040000	YW30280800000
5	Taper sleeve 3535 ( Ø60 )	YW30353506000	YW30353500000
6	Motor 37kW, 225S, 1LG4220-4AA60	YM10422000100	YM10253400000
7	Inner hex screw M12x100	YW61121000000	YW61121000000
8	Flat washer Ø12x24	YW66122400000	YW66122400000
9	Inner hex screw M16x100	YW61161000000	YW61161000000
10	Flat washer 16x30	YW6613000100	YW6613000100
11	Hydraulic pump	YM90700000100	YM90343100000
12	Wiring box	-	-
13	V-belt SPC2550	YR00257000000	YR00280000000
14	Pulley upper lid	-	-
15	Inner hex screw M5x12	YW61051200000	YW61051200000
16	Inner hex screw M10x25	YW61102500000	YW61102500000

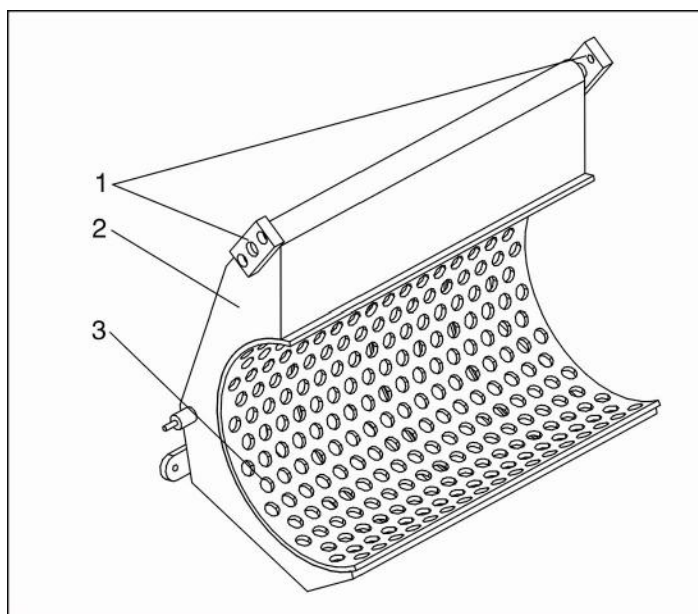
No.	Name	Part No.	
		SGS-6080S	SGS-75120S
17	Hexnut M10	YW64001000100	YW64001000100
18	Flat washer Ø10x24	YW66102500000	YW66102500000
19	Pulley cover support seat	-	-

### 2.3.9 Screen

Table 2-5: Screen Parts List

Model	Diameter (mm)			
	Φ20	Φ25	Φ30	Φ35
SGS-6080S	Φ20	Φ25	Φ30	Φ35
SGS-75120S	Φ20	Φ25	Φ30	Φ35

### 2.3.10 Screen Frame



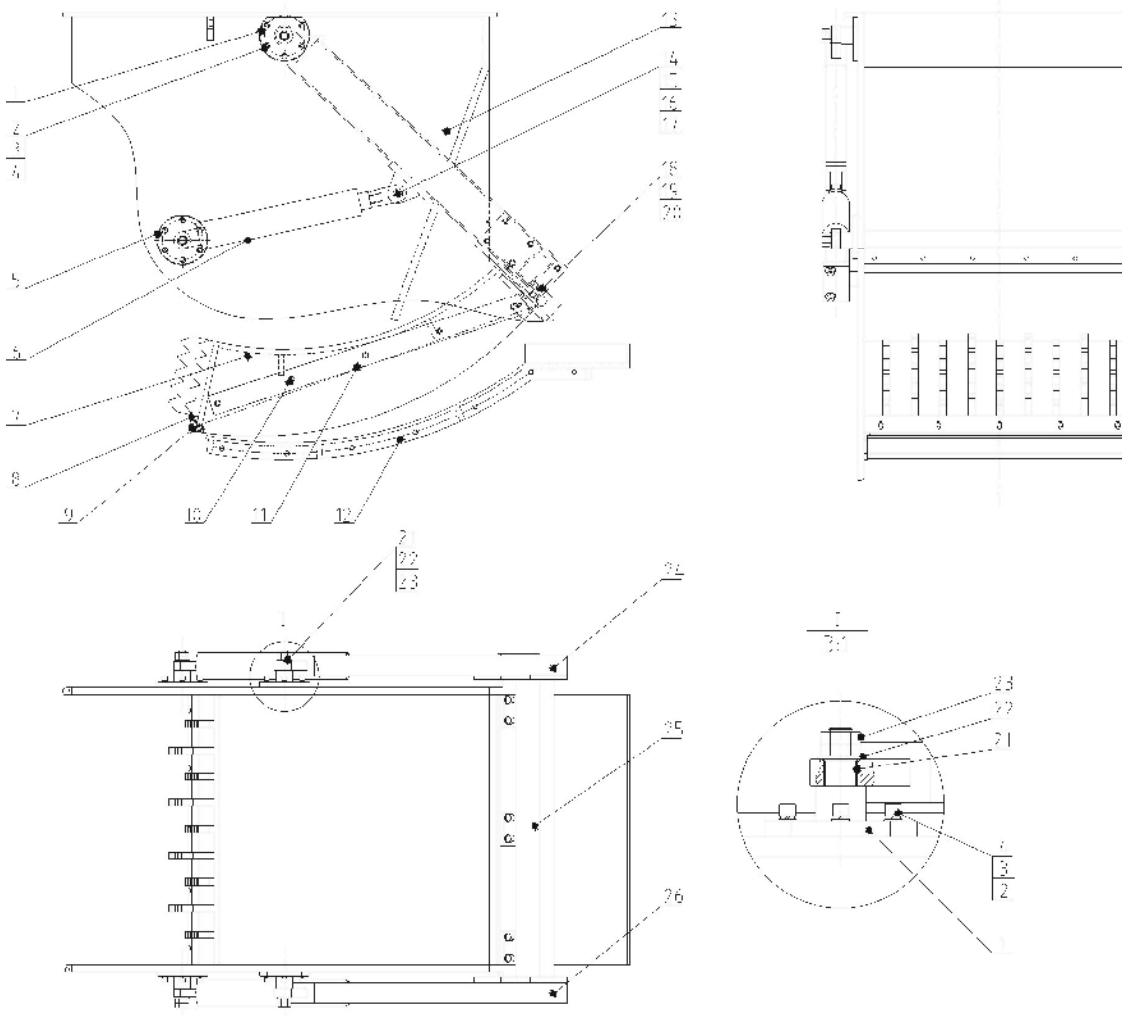
Picture 2-11: Screen Frame

### 2.3.11 Screen Frame Parts List

Table 2-6: Screen Frame Parts List

No.	Name	Number	
		SGS-6080S	SGS-75120S
1	Screen frame fixed block	BH10801560010	BH10801560010
2	Screen frame	-	-
3	Screen	BL53801210020	BL53751200320

### 2.3.12 Pushing Device Assembly



Picture 2-12: Pushing Device Assembly



### 2.3.13 Pushing Device Parts List

Table 2-7: Pushing Device Parts List

No.	Name	Part No.	
		SGS-6080S	SGS-75120S
1	Connecting rod fixed flange	BH11080450040	BH11080450040
2	Inner hex round screw M12x40*	YW61124000000	YW61124000000
3	Flat washer Ø12x24*	YW66122400000	YW66122400000
4	Spring washer Ø12*	YW65012000000	YW65012000000
5	Hydro-cylinder fixed flange	BH11080020040	BH11080020040
6	Hydro-cylinder* MOB63x420-CA-I	YM90700000100	YM90343100000
7	Pushing block welding drawing	-	-
8	Pushing bar*	BH10080050010	BR90751200010
9	Locknut M12*	YW64101100000	YW64101100000
10	Inner hex round screw M10x35*	YW61103500000	YW61103500000
11	Gibblock*	BH10080060010	BH10080060010
12	Cutting chamber base plate	-	-
13	Cutting chamber welding drawing	-	-
14	Connecting hinge pin	BH11080080040	BH11080080040
15	Bolt lock check ring	BH11080090040	BH11080090040
16	Flat washer Ø30x56*	YW66305400000	YW66305400000
17	Tacking bolt M8x12*	-	-
18	Sensor fixed plate	-	-
19	Inner hex round screw M5x25*	YW61052500200	YW61052500200
20	Flat washer Ø5x56*	YW66051000000	YW66051000000
21	Connecting rod bearing*	YW33801200000	YW33801200000
22	Flat washer Ø24x44*	YW66024400000	YW66024400000
23	Hexnut M24*	YW64002400100	YW64002400100
24	Left connecting rod	-	-
25	Connecting rod erection fixture welding drawing	-	-
26	Right connecting rod	-	-

\* means possible broken parts.

\*\* means easy broken part. and spare backup is suggested.

Please confirm the version of manual before placing the purchase order to guarantee that the item number of the spare part is in accordance with the real object.