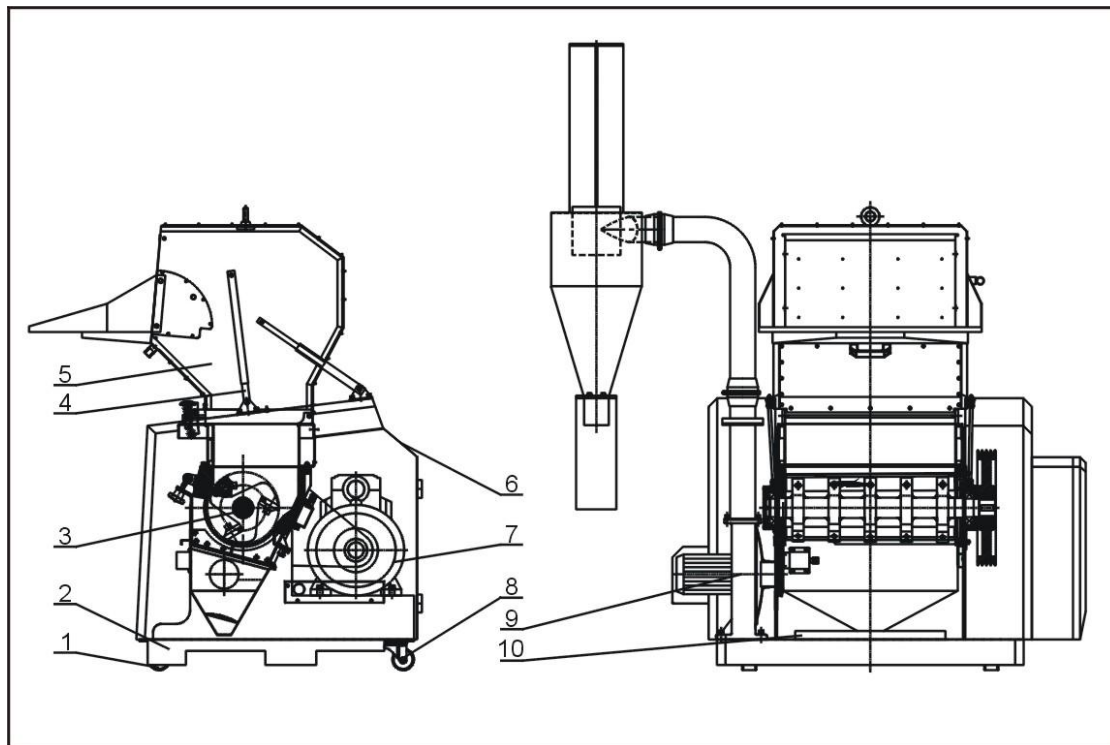


2.3 Assembly Drawing

2.3.1 Assembly Drawing (SG-23/30)



Note: Please refer to 2.3.2 material list about the parts code.

Picture 2-5: Assembly Drawing (SG-23/30)

2.3.2 Parts List (SG-23/30)

Chart 2-1: Parts List (SG-23)

No.	Name	SG-2324		SG-2336		SG-2348	
		Part No.	Quantity	Part No.	Quantity	Part No.	Quantity
1	Fixed castor 3"	YW03000300500	2	YW03000300500	2	YW03000300500	2
2	Machine rack	-	1	-	1	-	1
3	Cutting chamber	-	1	BH85433600010	1	BH85234800610	1
4	Elastic gasket	YW01050000100	1	YW01060000100	1	YW01060000100	1
5	Feed box	-	1	-	1	-	1
6	Shield parts	-	1	-	1	-	1
7	Main gear	-	1	-	1	-	1
8	Movable castor 3"	YW03000300600	2	YW03000300600	2	YW03000300600	2
9	Automatic feed	-	1	-	1	-	1
10	Presetting knife jig	-	-	-	-	-	-

* means possible broken parts;

** means easy broken part, and spare backup is suggested.

Please confirm the version of manual before placing the purchase order to guarantee that the item number of the spare part is in accordance with the real object.

Chart 2-2: Parts List (SG-30)

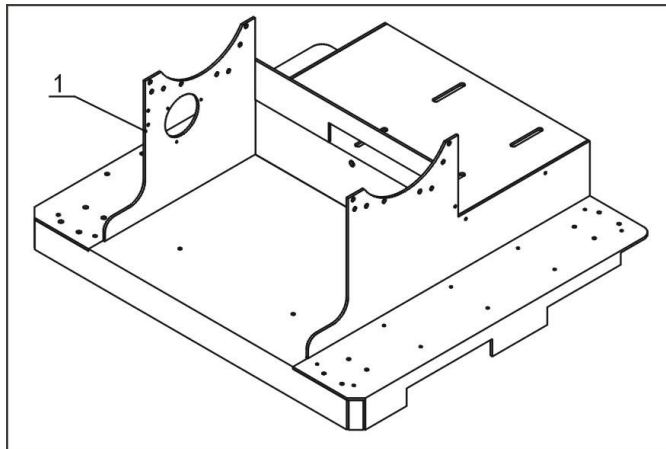
No.	Name	SG-3048		SG-3060	
		Part No.	Quantity	Part No.	Quantity
1	Fixed castor 3"	YW03000300500	2	YW03000300500	2
2	Machine rack	-	1	-	1
3	Cutting chamber	BH85304800810	1	BH85306000610	1
4	Elastic gasket 900N	YW01090000000	1	YW01090000000	1
5	Feed box	-	1	-	1
6	Shield parts	-	1	-	1
7	Main gear	-	1	-	1
8	Movable castor 3"	YW03000300600	2	YW03000300600	2
9	Automatic feed	-	1	-	1
10	Presetting knife jig	BH11304800410	1	BH10300100110	1

* means possible broken parts.

** means easy broken part. and spare backup is suggested.

Please confirm the version of manual before placing the purchase order to guarantee that the item number of the spare part is in accordance with the real object.

2.3.3 Machine Rack



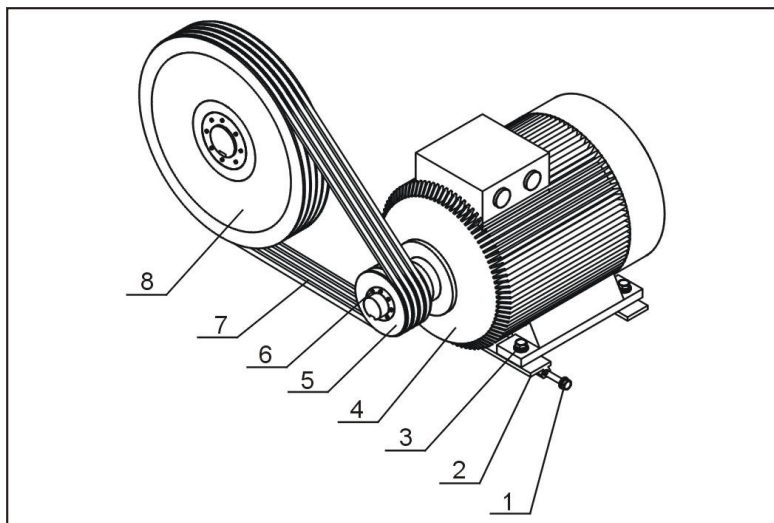
Picture 2-6: Machine Rack

2.3.4 Parts List of Machine Rack

Chart 2-3: Parts List of Machine Rack

No.	Name	SG-23/30	
		Part No.	Quantity
1	Machine Rack	-	1

2.3.5 Main gear



Picture 2-7: Main gear

2.3.5.1 Parts List of Main Gear

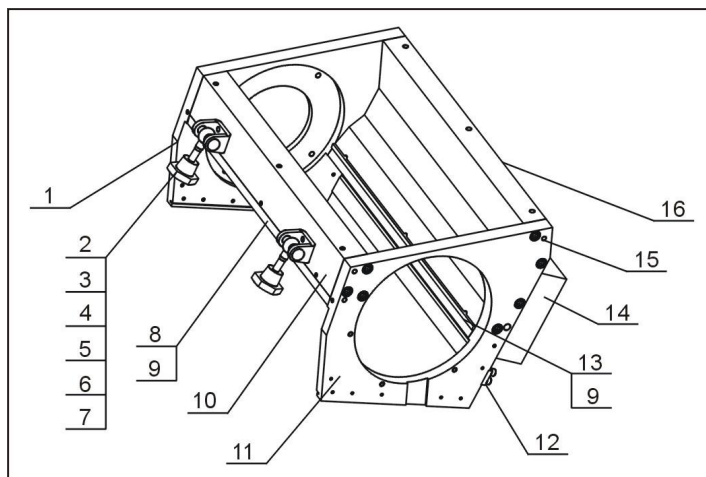
Chart 2-4: Parts List of Main Gear

No.	Name	SG-2324		SG-2336		SG-2348	
		Part No.	Quantity	Part No.	Quantity	Part No.	Quantity
1	Hexagon head screw M10×80	YW60108000000	2	YW60108000000	2	YW60108000000	2
2	Motor control board	BH10236100010	2	BH10236100010	2	BH10306500110	2
3	Hexagon head screw	YW60104000100	4	YW60104000100	4	YW60124500000	4
4	Motor	YM10713000500	1	YM10137500000	1	YM10716300300	1
5	Motor belt pulley	YW30118400000	1	YW30118400000	1	YW30118400000	1
6	Belt pulley taper sleeve	YW30204200500	1	YW30204200500	1	YW30204200500	1
7	Triangle belt	YR00160000100	4	YR00160000100	4	YR00160000100	4
8	Big Belt pulley taper sleeve	YW30400400000	1	YW30400400000	1	YW30400400000	1

Chart 2-5: Parts List of Main Gear

No.	Name	SG-3048		SG-3060	
		Part No.	Quantity	Part No.	Quantity
1	Hexagon head screw M10×80	YW60108000000	2	YW60108000000	2
2	Motor control board	BH10306500110	2	BH10306500110	2
3	Hexagon head screw M12×45	YW60124500000	4	YW60124500000	4
4	Motor	YM10716300300	1	YM10716600300	1
5	Motor belt pulley	YW30118400000	1	YW30118400000	1
6	Belt pulley taper sleeve	YW30204200500	1	YW30204200500	1
7	Triangle belt	YR00170040000	4	YR00170040000	4
8	Big Belt pulley taper sleeve	YW30400400100	1	YW30400400100	1

2.3.6 Cutting Chamber



Picture 2-8: Cutting Chamber

2.3.7 Parts List of Cutting Chamber

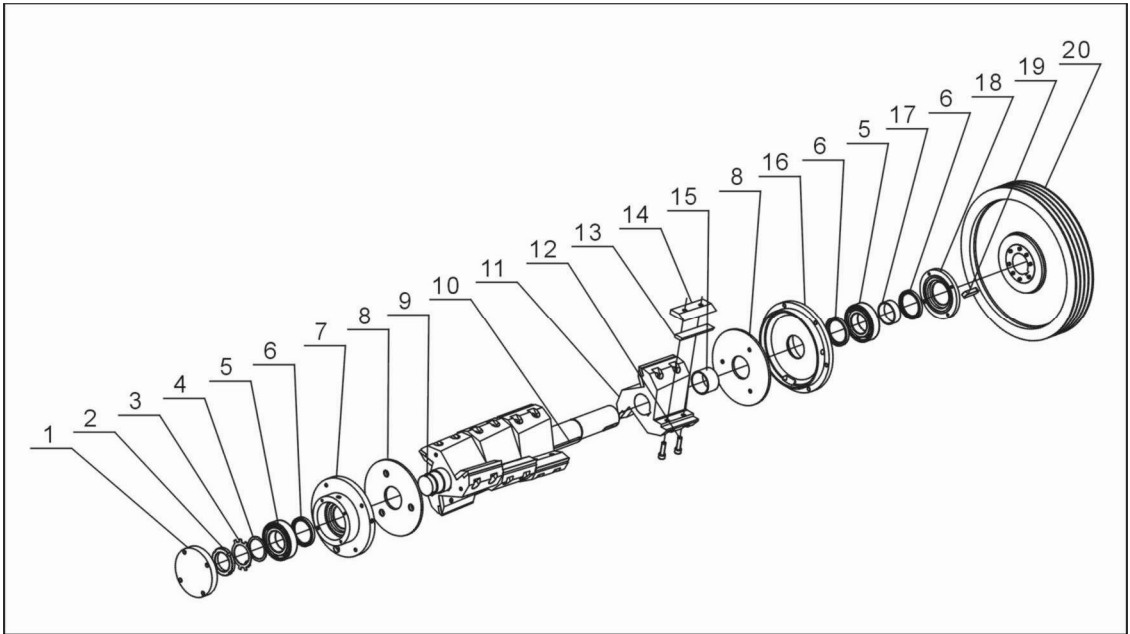
Chart 2-6: Parts List of Cutting Chamber One

No.	Name	SG-2324		SG-2336		SG-2348	
		Part No.	Quantity	Part No.	Quantity	Part No.	Quantity
1	Left side plate	BH10232500010	1	BH10232500010	1	BH10232500010	1
2	Hinge base	-	1	-	2	-	2
3	Shaft pin	YW09301400000	1	YW09301400000	2	YW09301400000	2
4	A type circlip for shaft 16	YW69001600000	1	YW69001600000	2	YW69001600000	2
5	Star screw	YW09003010500	1	YW09003010500	2	YW09003010500	2
6	Flat gasket	YW66123200100	1	YW66123200100	2	YW66123200100	2
7	Star nut (M12)	YW09001200500	1	YW09001200500	2	YW09001200500	2
8	Front pressing block	BW30232400110	1	BW30233600110	1	BW30234800110	1
9	Fixed blades	BW40232400040	1	YW42233600100	2	YW42234800100	2
10	Front block	-	1	BW30233600010	1	BW30234800010	1
11	Right side plate	BH10231100010	1	BH10231100010	1	BH10231100010	1
12	Screen bracket fixing plate	-	1	-	1	-	1
13	Back pressing block	BW30232400410	1	BW30233600410	1	BW30234800410	1
14	Water tank	-	-	-	-	-	-
15	Elastic fixing pin 8×35	YW69083500000	8	YW69083500000	8	YW69083500000	8
16	Rear box block		1	BH10236500010	1	BH10230800010	1

Chart 2-7: Parts List of Cutting Chamber One

No.	Name	SG-3048		SG-3060	
		Part No.	Quantity	Part No.	Quantity
1	Left side plate	BH10306501110	1	BH10306501110	1
2	Hinge base	-	2	-	2
3	Shaft pin	YW09301400000	2	YW09301400000	2
4	A type circlip for shaft 16	YW69001600000	2	YW69001600000	2
5	Star screw	YW09003010500	2	YW09003010500	2
6	Flat gasket	YW66123200100	2	YW66123200100	2
7	Star nut (M12)	YW09001200500	2	YW09001200500	2
8	Front pressing block	BW30304801310	1	BW30306101310	1
9	Fixed blades	YW42234800100	2	YW42325800000	2
10	Front block	BW30304800510	1	BW30306500010	1
11	Right side plate	BH10306101210	1	BH10306101210	1
12	Screen bracket fixing plate	-	1	-	1
13	Back pressing block	BW30304800910	1	BW30306901310	1
14	Water tank	-	1	-	1
15	Elastic fixing pin 8×40	YW69084000000	8	YW69084000000	8
16	Back block	BW30304800810	1	BW30306800310	1

2.3.8 Cutting Chamber Two

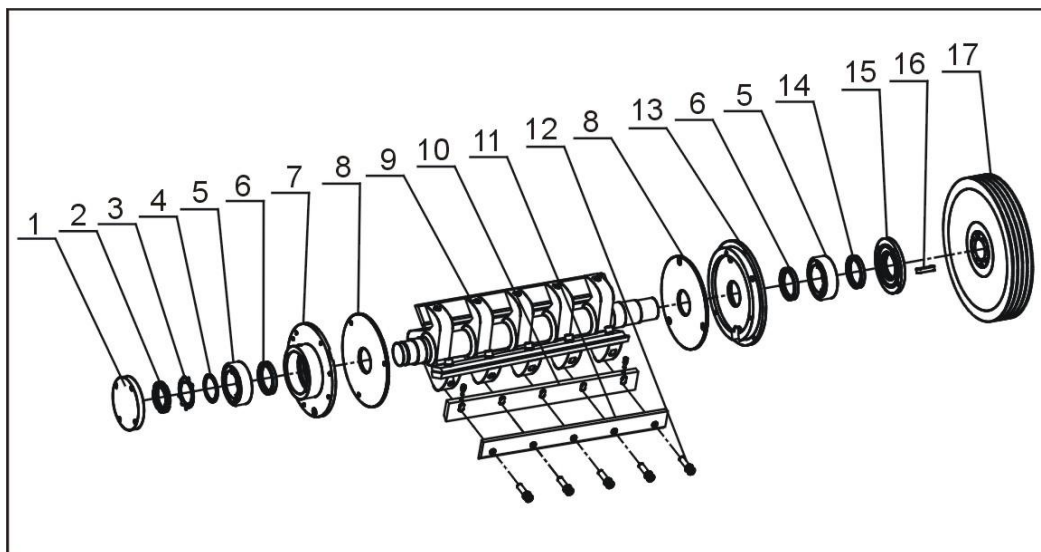


Picture 2-9: Cutting Chamber Two (SG-23)

2.3.9 Parts List of Cutting Chamber Two (SG-23)

Chart 2-8: Parts List of Cutting Chamber Two (SG-23)

No.	Name	SG-2324		SG-2336		SG-2348	
		Part No.	Quantity	Part No.	Quantity	Part No.	Quantity
1	Left bearing block cover plate	BH10232700010	1	BH10232700010	1	BH10232700010	1
2	Round nut M52×1.5	YW65215000000	1	YW65215000000	1	YW65215000000	1
3	Lock gasket 52	YW09521600000	1	YW09521600000	1	YW09521600000	1
4	Bearing gasket	-	1	-	1	-	1
5	Self-aligning roller bearing 22211C	YW11222100600	2	YW11222100600	2	YW11222100600	2
6	Oil seal 75×60×8	YR80756000000	3	YR80756000000	3	YR80756000000	3
7	Left bearing block	BH10232600010	1	BH10232600010	1	BH10232600010	1
8	Material fender	YW45230000000	2	YW45230000000	2	YW45230000000	2
9	Shaft	-	1	BH10236600010	1	BH11236200010	1
10	Flat key 16×10×L	BH10232410010	1	BH10233610010	1	BH10234810010	1
11	Blade rest	-	2	-	3	-	4
12	Inner hexagon cylindrical screw M10×40	YW61104000200	12	YW61104000200	18	YW61104000200	24
13	Rotary blades	YW42023001000	6	YW42023001000	9	YW42023001000	12
14	Rotary blades pressing plate	BH10125000010	6	BH10125000010	9	BH10125000010	12
15	Shaft sleeve 1	BH10231900010	1	BH10231900010	1	BH10231900010	1
16	Right bearing block	BH10231200010	1	BH10231200010	1	BH10231200010	1
17	Shaft sleeve 2	BH10231400010	1	BH10231400010	1	BH10231400010	1
18	Right bearing block cover plate	BH10232300010	1	BH10232300010	1	BH10232300010	1
19	Flat key 16×10×50	BH10231500010	1	BH10231500010	1	BH10231500010	1
20	Big belt pulley SPA400-4-3020-55 with taper sleeve	YW30400400000	1	YW30400400000	1	YW30400400000	1



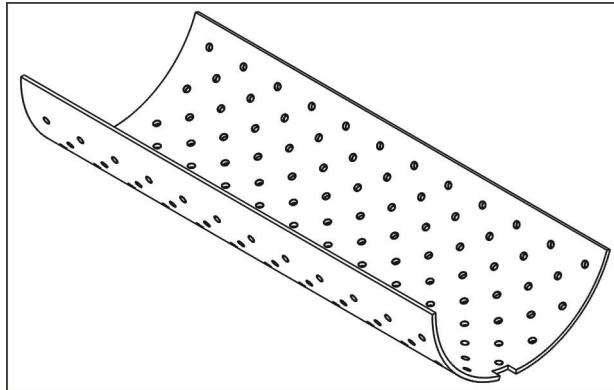
Picture 2-10: Cutting Chamber Two (SG-30)

2.3.10 Parts List of Cutting Chamber Two (SG-30)

Chart 2-9: Parts List of Cutting Chamber Two (SG-30)

No.	Name	SG-3048		SG-3060	
		Part No.	Quantity	Part No.	Quantity
1	Left bearing block cover plate	BW30301300010	1	BW30301300010	1
2	Round nut M64×2	YW64642000000	1	YW64642000000	1
3	Lock gasket 64	YW09640000000	1	YW09640000000	1
4	Bearing gasket	BL54301110020	1	BL54301110020	1
5	Self-aligning roller bearing 22213	YW11222100300	2	YW11222100300	2
6	Oil seal 90×70×10	YR80971000000	2	YR80971000000	2
7	Left bearing block	BW30301200010	1	BW30301200010	1
8	Material fender	BH11300820010	2	BH11300820010	2
9	Blade shaft	BH11306006110	1	BH11306006110	1
10	Rotary blades	BW30301300010	3	BW30301300010	3
11	Rotary blades pressing plate	BH11304803810	3	BH10306000910	3
12	Inner hexagon cylindrical screw	YW61145000000	15	YW61145000000	15
13	Right bearing block	BW30300202110	1	BW30300202110	1
14	Oil seal 80×65×8	YR80806500000	1	YR80806500000	1
15	Oil seal 80×65×8	YR80806500000	1	YR80806500000	1
16	Flat key 18×11×55	BH10301300310	1	BH10301300310	1
17	Big belt pulley with taper sleeve	YW30400400100	1	YW30400400100	1

2.3.11 Screen



Picture 2-11: Screen

2.3.12 Parts List of Screen

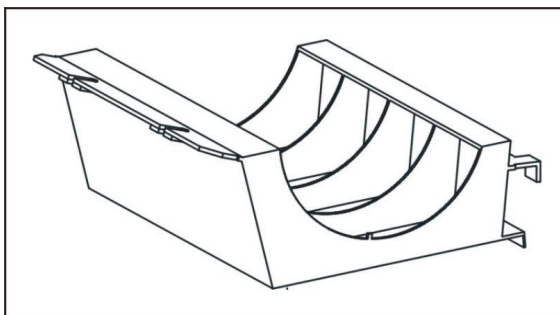
Chart 2-10: Parts List of Screen

No.	Name	SG-2324		SG-2336		SG-2348	
		Part No.	Quantity	Part No.	Quantity	Part No.	Quantity
1	Screen 8mm	BL54232400820	1	BL54233600820	1	BL54234800820	1

Chart 2-11: Parts List of Screen

No.	Name	SG-3048		SG-3060	
		Part No.	Quantity	Part No.	Quantity
1	Screen 8mm	BL54304806020	1	BL54306006020	1

2.3.13 Screen Bracket



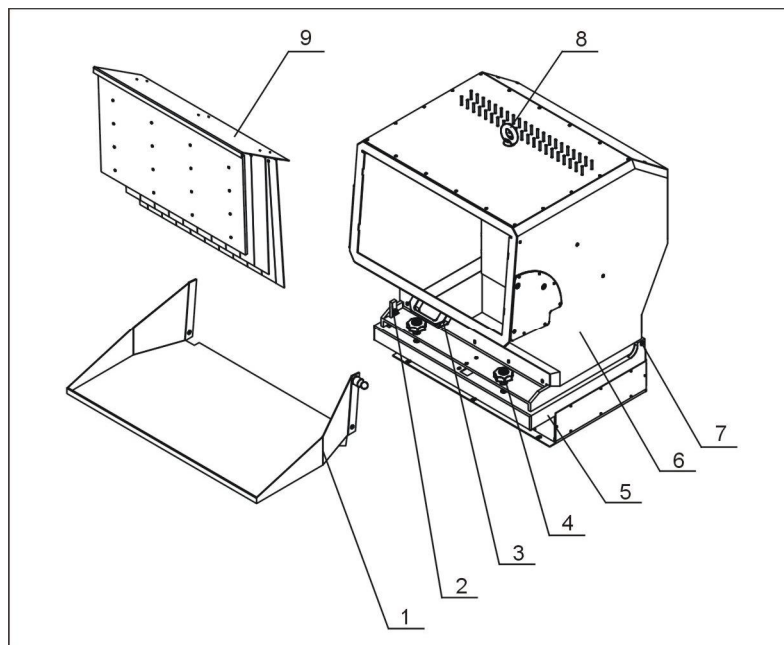
Picture 2-12: Screen Bracket

2.3.14 Parts List of Screen Bracket

Chart 2-12: Parts List of Screen Bracket

No.	Name	SG-23/30	
		Part No.	Quantity
1	Screen Bracket	-	1

2.3.15 Feed Box



Picture 2-13: Feed Box

2.3.16 Parts List of Feed Box

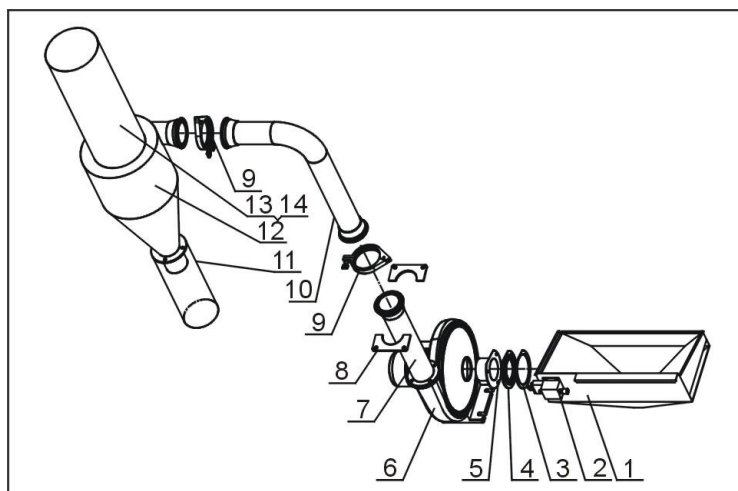
Chart 2-13: Parts List of Feed Box

No.	Name	SG-2324		SG-2336		SG-2348	
		Part No.	Quantity	Part No.	Quantity	Part No.	Quantity
1	Feed port	-	1	-	1	-	1
2	Pothook	-	1	-	1	-	1
3	Aluminum square handle L120	BW20012000140	2	BW20012000140	2	BW20012000140	2
4	Star screw combination	BH11300200010	2	BH11300200010	2	BH11300200010	2
5	Cutting chamber	-	1	-	1	-	1
6	Feed box	-	1	-	1	-	1
7	Feed box shaft	-	2	-	2	-	2
8	Lifting screw M16	YW09001600000	1	YW09001600000	1	YW09001600000	1
9	Material fender assembly	-	1	-	1	-	1

Chart 2-14: Parts List of Feed box

No.	Name	SG-3048		SG-3060	
		Part No.	Quantity	Part No.	Quantity
1	Feed port	-	1	-	1
2	Pothook	-	1	-	1
3	Aluminum square handle L120	BW20012000140	2	BW20012000140	2
4	Star screw combination	BH11300200010	2	BH11300200010	2
5	Cutting chamber	-	1	-	1
6	Feed box	-	1	-	1
7	Feed box shaft	BH10304801810	1	BH10306181310	1
8	Lifting screw M16	YW09001600000	1	YW09001600000	1
9	Material fender assembly	BR90304800020	1	BR90306000020	1

2.3.17 Automatic feeding assembly



Picture 2-14: Automatic feeding assembly

2.3.18 Parts List of Automatic feeding assembly

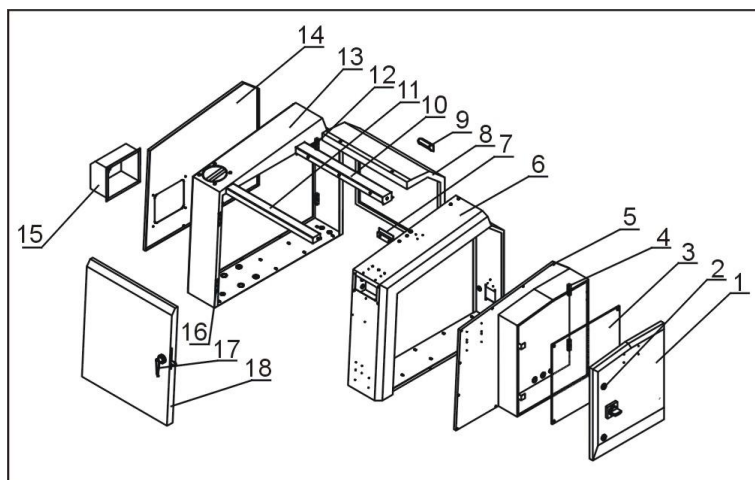
Chart 2-15: Parts List of Automatic feeding assembly

No.	Name	SG-2324		SG-2336		SG-2348	
		Part No.	Quantity	Part No.	Quantity	Part No.	Quantity
1	Storage box	-	1	-	1	-	1
2	Spiral switch	-	1	-	1	-	1
3	Pressing plate	-	1	-	1	-	1
4	Material inlet fastener	YR10002300000	1	YR10002300000	1	YR10002300000	1
5	Blower suction port connecting pipe	-	1	-	1	-	1
6	Feeding blower (0.55kW)	BM30055000250	1	BM30055000250	1	BM30055000250	1
7	Material outlet pipe	-	1	-	1	-	1
8	Material outlet pipe fixing flange	-	2	-	2	-	2
9	Stainless steel pipe clamp 4"	YW07000400000	2	YW07000400000	2	YW07000400000	2
10	Material outlet pipe bending	-	1	-	1	-	1
11	Filter cloth bag 2	BP82181800044	1	BP82181800044	1	BP82181800044	1
12	Cyclone separator	BY50002300150	1	BY50002300150	1	BY50002300150	1
13	Filter cloth bag 1	BP82321900144	1	BP82321900144	1	BP82321900144	1
14	Dust collecting cloth bag stand	BL59230001521	1	BL59230001521	1	BL59230001521	1

Chart 2-16: Parts List of Automatic feeding assembly

No.	Name	SG-3048		SG-3060	
		Part No.	Quantity	Part No.	Quantity
1	Storage box	-	1	-	1
2	Spiral switch	-	1	-	1
3	Pressing plate	-	1	-	1
4	Material inlet fastener	YR10002300000	1	YR10002300000	1
5	Blower suction port connecting pipe	-	1	-	1
6	Feeding blower (0.55kW)	BM30055000250	1	BM30055000250	1
7	Material outlet pipe	-	1	-	1
8	Material outlet pipe fixing flange	-	2	-	2
9	Stainless steel pipe clamp 4"	YW07000400000	2	YW07000400000	2
10	Material outlet pipe bending	-	1	-	1
11	Filter cloth bag 2	BP82181800044	1	BP82181800044	1
12	Cyclone separator	BY50002300150	1	BY50002300150	1
13	Filter cloth bag 1	BP82321900144	1	BP82321900144	1
14	Dust collecting cloth bag stand	BL59230001521	1	BL59230001521	1

2.3.19 Shield Parts



Picture 2-15: Shield Parts

2.3.20 Parts List of Shield Parts

Chart 2-17: Parts List of Shield Parts

No.	Name	SG-2324		SG-2336		SG-2348	
		Part No.	Quantity	Part No.	Quantity	Part No.	Quantity
1	Electric components box door plate	-	1	-	1	-	1
2	Long gear lock	YW00000000100	2	YW00000000100	2	YW00000000100	2
3	Wiring board	-	1	-	1	-	1
4	Big hinge CL203-1 (right)	YW06203100200	2	YW06203100200	2	YW06203100200	2
5	Electric components box base plate	-	1	-	1	-	1
6	Right outshell	-	1	-	1	-	1
7	Motor cover plate	-	1	-	1	-	1
8	Motor cover	-	1	-	1	-	1
9	Plastic ladder type handle 91*40	YR40914040000	1	YR40914040000	1	YR40914040000	1
10	Rear top cover	-	1	-	1	-	1
11	Front top cover	-	1	-	1	-	1
12	Big hinge CL203-1 (left)	YW06203100400	2	YW06203100400	2	YW06203100400	2
13	Left outshell	-	1	-	1	-	1
14	Left outshell cover	-	1	-	1	-	1
15	Blower motor cover shell	-	1	-	1	-	1
16	Hinge CL253-2	YW06253200000	2	YW06253200000	2	YW06253200000	2
17	Door lock M-45-B	YW00004500000	1	YW00004500000	1	YW00004500000	1
18	Front door	-	1	-	1	-	1

Chart 2-18: Parts List of Shield Parts

No.	Name	SG-3048		SG-3060	
		Part No.	Quantity	Part No.	Quantity
1	Electric components box door plate	-	1	-	1
2	Long gear lock	YW00000000100	2	YW00000000100	2
3	Wiring board	-	1	-	1
4	Big hinge CL203-1 (right)	YW06203100200	2	YW06203100200	2
5	Electric components box base plate	-	1	-	1
6	Right outshell	-	1	-	1
7	Motor cover plate	-	1	-	1
8	Motor cover	-	1	-	1
9	Plastic ladder type handle 91×40	YR40914040000	1	YR40914040000	1
10	Rear top cover	-	1	-	1
11	Front top cover	-	1	-	1
12	Big hinge CL203-1(left)	YW06203100400	2	YW06203100400	2
13	Left outshell	-	1	-	1
14	Left outshell cover	-	1	-	1
15	Blower motor cover shell	-	1	-	1
16	Stainless steel hinge 3"	YW06000300000	2	YW06000300000	2
17	Door lock M-45-B	YW00004500000	1	YW00004500000	1
18	Front door	-	1	-	1