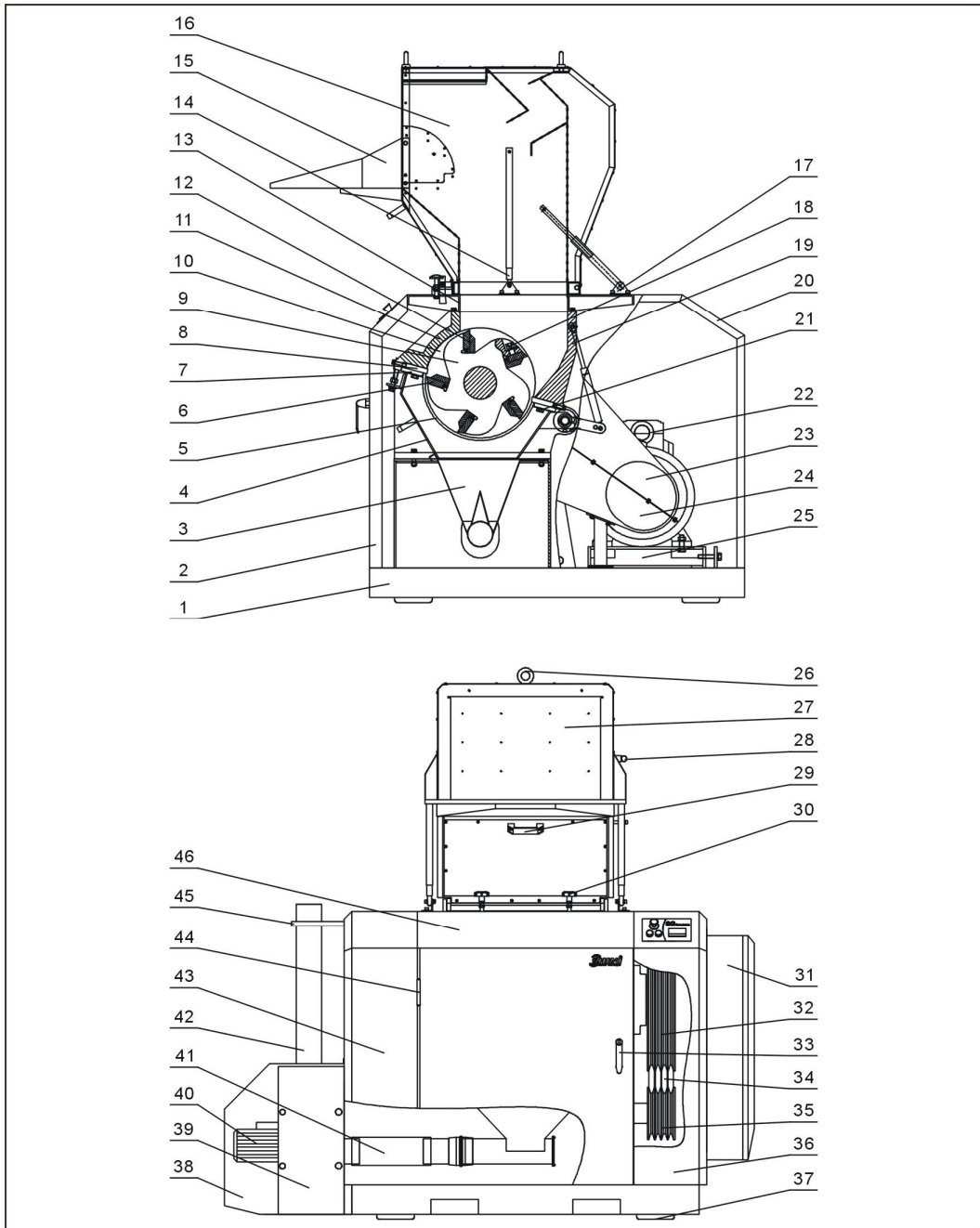


## 2.3 Assembly Drawing

### 2.3.1 Assembly Drawing



Note: Please refer to 2.3.2 material list about the parts code.

Picture 2-5: Assembly Drawing

## 2.3.2 Parts List

Table 2-1: Parts List

| No. | Name                                | Part No.      |               |
|-----|-------------------------------------|---------------|---------------|
|     |                                     | SG-4360(H)    | SG-4390(H)    |
| 1   | Base                                | -             | -             |
| 2   | Door plank                          | -             | -             |
| 3   | Regrind storage bin                 | -             | -             |
| 4   | Screen bracket                      | -             | -             |
| 5   | Screen (Φ8)**                       | BL55436000820 | -             |
|     | Screen (Φ10)**                      | BL55436000220 | -             |
|     | Screen (Φ12)**                      | BL55436200220 | BL55439001320 |
|     | Screen (Φ17)**                      | -             | -             |
|     | Screen (Φ25)**                      | -             | -             |
| 6   | Rotating blade**                    | BH10436300110 | BW40439001410 |
| 7   | Fixed knife briquetting             | BH11436000310 | BH11439000310 |
| 8   | Fixed blade**                       | YW42436000400 | BW40439000410 |
| 9   | Blade rest                          | BH11436001010 | BH11439000710 |
| 10  | Material fender                     | YW42436001600 | YW42436001600 |
| 11  | Front box block                     | BW30436000510 | BW30439000510 |
| 12  | Pressure block                      | BH11506000610 | BH11439001310 |
| 13  | Cutting chamber                     | -             | -             |
| 14  | Pneumatic spring 600N               | YW01060000000 | YW01060000000 |
| 15  | Feeding inlet                       | -             | -             |
| 16  | Feeding hopper                      | -             | -             |
| 17  | Support base                        | -             | -             |
| 18  | Inner hexagonal screw column M20X65 | YW61206500000 | YW61206500000 |
| 19  | Back box block                      | BW30436000710 | BW30439001410 |
| 20  | Back cover board                    | -             | -             |
| 21  | Fixed blade press block             | YW61167500000 | YW61167500000 |
| 22  | Electromotor                        | YM10420700200 | YM10422000100 |
|     |                                     | YM10422000100 | YM10422300000 |
| 23  | Protective hood                     | -             | -             |
| 24  | Protective hood                     | -             | -             |
| 25  | Installation base                   | -             | -             |
| 26  | Screw M16                           | YW09001600000 | YW09001600000 |
| 27  | Material fender                     | -             | -             |
| 28  | Protective hood                     | YW30003600100 | YW30003600100 |
| 29  | Knob *                              | BW20012000140 | BW20012000140 |
| 30  | Screw shaft                         | BH56240200010 | BH56240200010 |

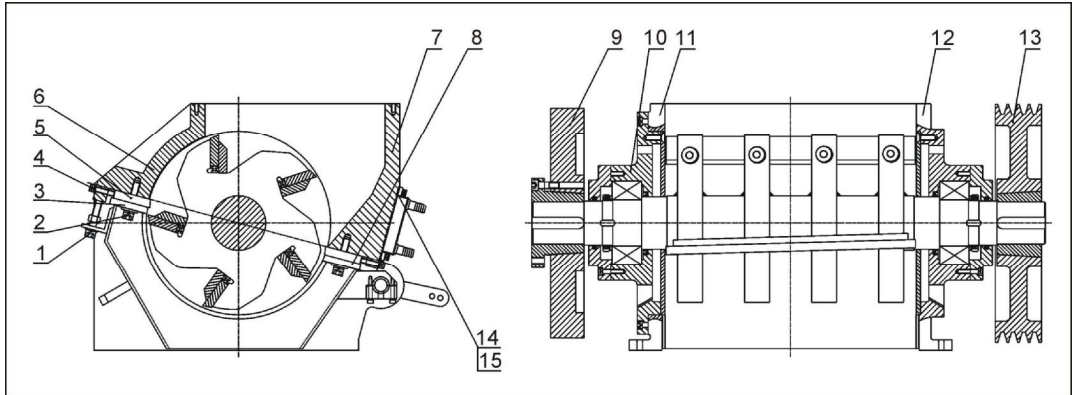
| No. | Name                       | Part No.      |               |
|-----|----------------------------|---------------|---------------|
|     |                            | SG-4360(H)    | SG-4390(H)    |
| 31  | Electrical control box *   | BH59436000050 | BH59436800150 |
| 32  | Big belt pulley            | YW30560400000 | YW30205600000 |
| 33  | Door lock                  | YW00004500000 | YW00307200000 |
| 34  | V belt SPC-2800*           | YR00280000000 | YR00280000000 |
| 35  | Belt pulley                | YW30200400000 | YW30200600000 |
| 36  | Right cover board          | -             | -             |
| 37  | Anti vibration pad M16X147 | YW03162000000 | YW03162000000 |
| 38  | Cover                      | -             | -             |
| 39  | Blower supporter           | -             | -             |
| 40  | Blower *                   | BM30224000050 | BM30224000050 |
| 41  | Feeding pipe               | YR60000400100 | YR60000400100 |
| 42  | Blower flange              | BH10436002110 | BH10436002110 |
| 43  | Left cover board           | -             | -             |
| 44  | Hinge                      | YW06000400000 | YW06000400000 |
| 45  | Fixed block                | BH10436002010 | BH10436002010 |
| 46  | Front top board            | -             | -             |

\* means possible broken parts.

\*\* means easy broken part. and spare backup is suggested.

Please confirm the version of manual before placing the purchase order to guarantee that the item number of the spare part is in accordance with the real object.

### 2.3.3 Cutting Chamber



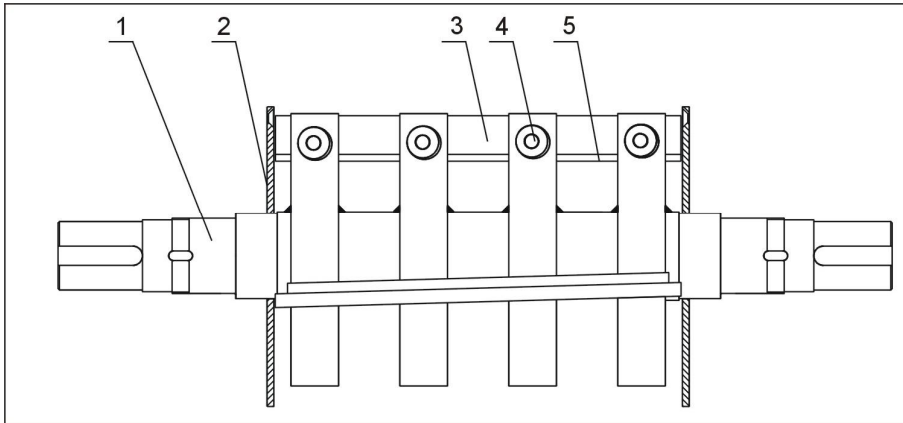
Picture 2-6: Cutting Chamber

### 2.3.4 Cutting Chamber Parts List

Table 2-2: Cutting Chamber Parts List

| No. | Name                               | Quantity |
|-----|------------------------------------|----------|
| 1   | Hexagon socket cap screw M16 × 100 | 3        |
| 2   | Hexagon socket cap screw M16 × 75  | 10       |
| 3   | Front pressing block               | 1        |
| 4   | Hexagon socket cap screw M10 × 70  | 4        |
| 5   | Fixed blade                        | 2        |
| 6   | Front box block                    | 1        |
| 7   | Back box block                     | 1        |
| 8   | Back pressing block                | 1        |
| 9   | Taper sleeve                       | 1        |
| 10  | Bearing block                      | 1        |
| 11  | Left insert block                  | 1        |
| 12  | Right insert block                 | 1        |
| 13  | Big belt pulley                    | 1        |
| 14  | Water tank                         | 1        |
| 15  | Water tank washer                  | 1        |

### 2.3.5 Blade Rest



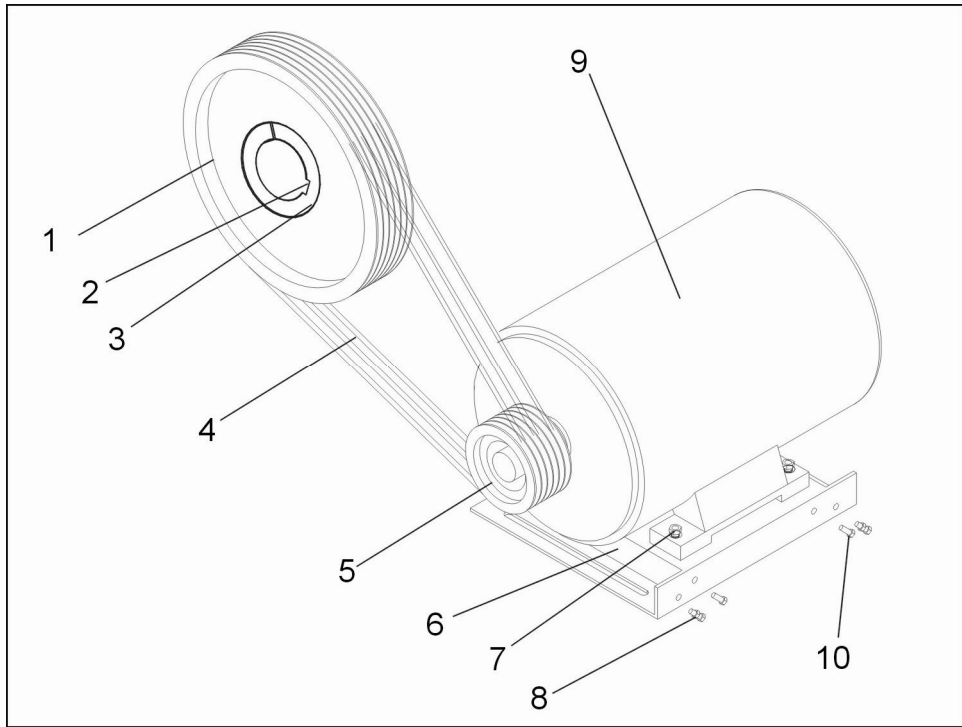
Picture 2-7: Blade Rest

#### 2.3.5.1 Blade Rest Parts List

Table 2-3: Blade Rest Parts List

| No. | Name                            | Quantity |
|-----|---------------------------------|----------|
| 1   | Cutter shaft                    | 1        |
| 2   | Material fender                 | 2        |
| 3   | Blade rest                      | 5/10     |
| 4   | Inner hexagon cylindrical screw | 20/40    |
| 5   | Blade rest press plate          | 510      |

### 2.3.6 Transmission Parts



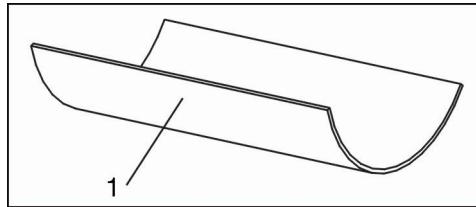
Picture 2-8: Transmission Parts

### 2.3.7 Transmission Parts Parts List

Table 2-4: Transmission Parts Parts List

| No. | Name               | Quantity |
|-----|--------------------|----------|
| 1   | Driven wheel       | 1        |
| 2   | Key                | 1        |
| 3   | Lockup cover       | 1        |
| 4   | V belt (SPC)       | 4        |
| 5   | Driving wheel      | 1        |
| 6   | Electromotor base  | 1        |
| 7   | Electromotor screw | 4        |
| 8   | Nut                | 2        |
| 9   | Electromotor       | 1        |
| 10  | Adjusting screw    | 2        |

### 2.3.8 Screen



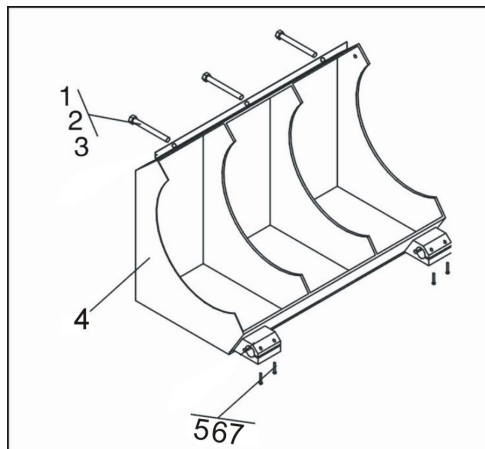
Picture 2-9: Screen

### 2.3.9 Screen Parts List

Table 2-5: Screen Parts List

| No. | Name   | Quantity |
|-----|--------|----------|
| 1   | Screen | 1        |

### 2.3.10 Screen Bracket



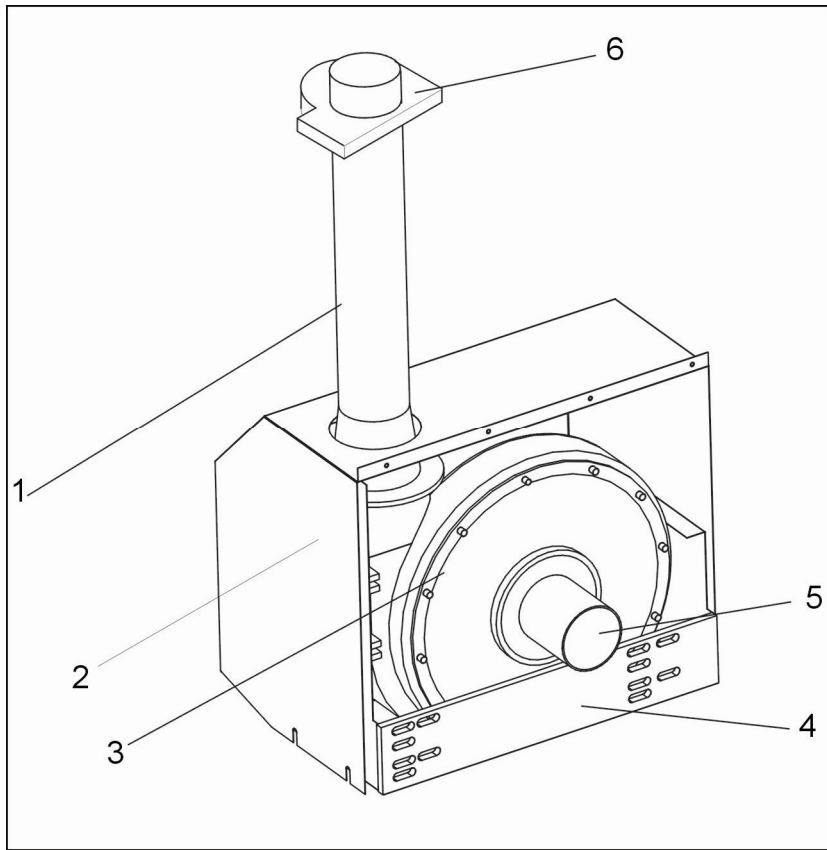
Picture 2-10: Screen Bracket

### 2.3.11 Screen Bracket Parts List

Table 2-6: Screen Bracket Parts List

| No. | Name           | Quantity | No. | Name          | Quantity |
|-----|----------------|----------|-----|---------------|----------|
| 1   | Bolt           | 3        | 5   | Bolt          | 4        |
| 2   | Spring gasket  | 3        | 6   | Spring gasket | 4        |
| 3   | Flat gasket    | 3        | 7   | Flat gasket   | 4        |
| 4   | Screen bracket | 1        |     |               |          |

### 2.3.12 Blower



Picture 2-11: Blower

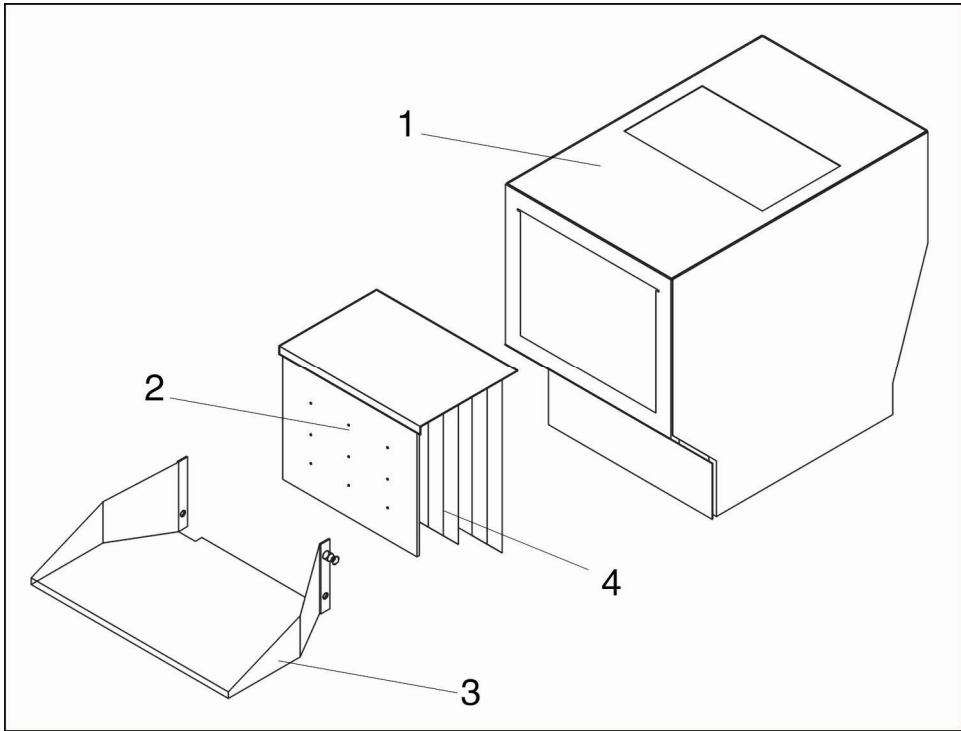
### 2.3.13 Blower Parts List

Table 2-7: Blower Parts List

| No. | Name          | Quantity |
|-----|---------------|----------|
| 1   | Outlet pipe   | 1        |
| 2   | Cover         | 1        |
| 3   | Blower        | 1        |
| 4   | Bottom plate  | 1        |
| 5   | Air inlet     | 1        |
| 6   | Coupling clip | 1        |



### 2.3.14 Feed Box, Insulative Box and Shutter



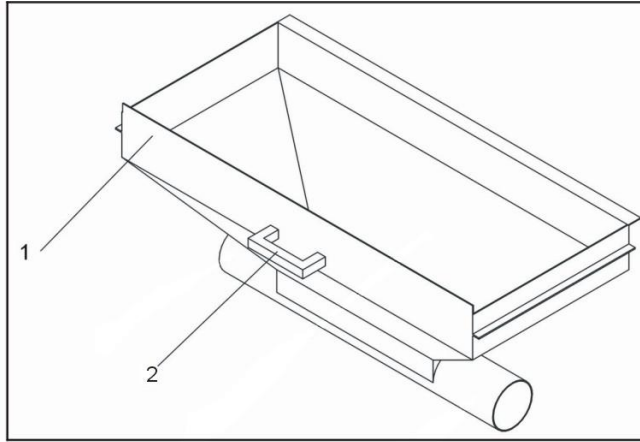
Picture 2-12: Feed Box, Insulative Box and Shutter

### 2.3.15 Feed Box, Insulative Box and Shutter Parts List

Table 2-8: Feed Box, Insulative Box and Shutter Parts List

| No. | Name                      | Quantity |
|-----|---------------------------|----------|
| 1   | Feed box                  | 1        |
| 2   | Materials shutter         | 1        |
| 3   | Feeding inlet             | 1        |
| 4   | Materials keeping leather | 2        |

### 2.3.16 Re grind Storage Bin



Picture 2-13: Re grind Storage Bin

### 2.3.17 Re grind Storage Bin Parts List

Table 2-9: Re grind Storage Bin Parts List

| No. | Name        | Quantity |
|-----|-------------|----------|
| 1   | Storage box | 2        |
| 2   | Knob        | 1        |