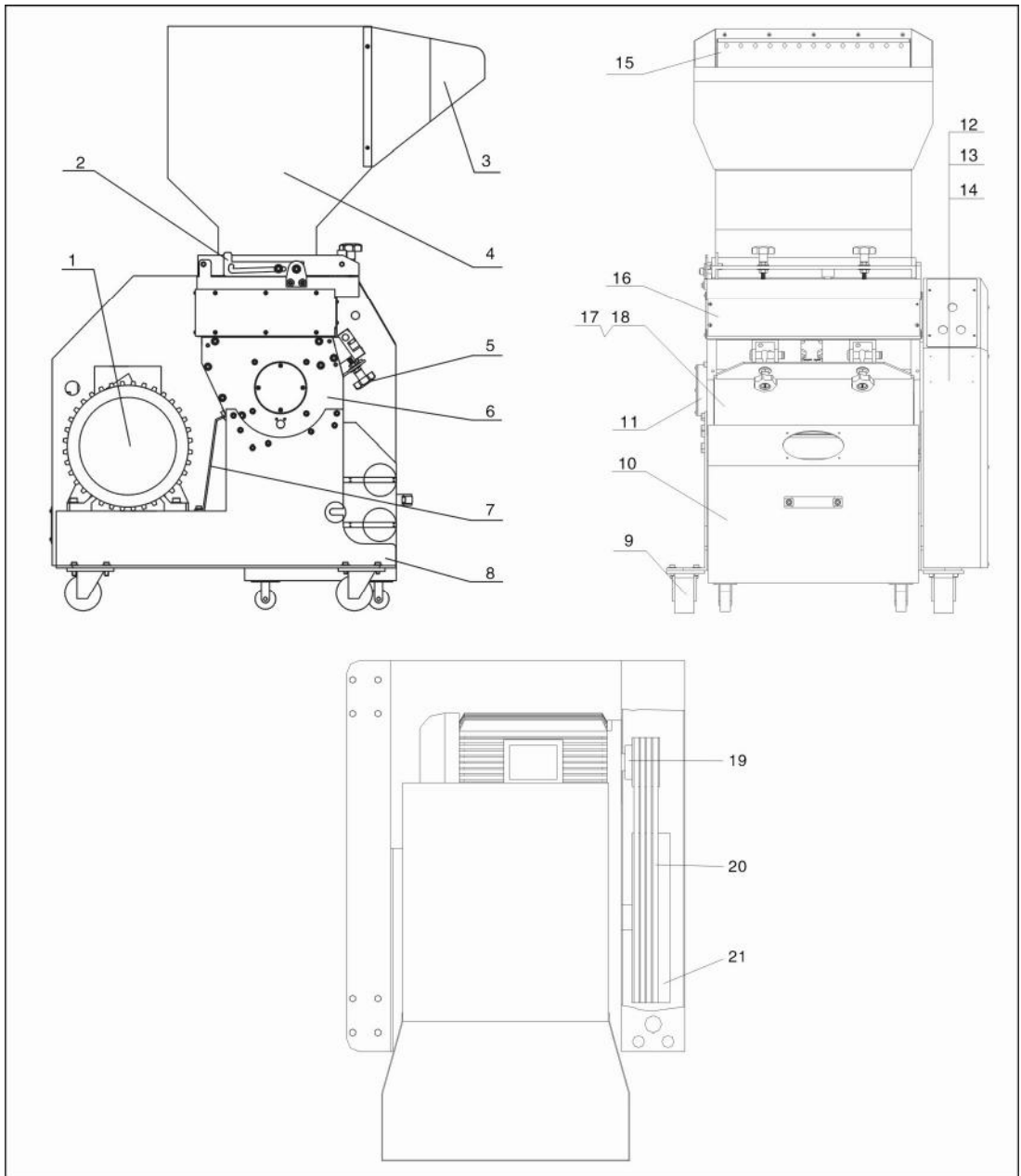


2.3 Assembly Drawing

2.3.1 Assembly Drawing



Note: Please refer to 2.3.2 material list about the parts code.

Picture 2-5: Assembly Drawing

2.3.2 Parts List

Chart 2-1: Parts List (SG-23E)

No.	Name	Part No.		
		SG-2324E(S)	SG-2336E(S)	SG-2348E(S)
1	Motor	YM10713000200	YM10713300000	YM10110400000
2	Sustain brace	BH10230500510	BH10230500510	BH10230500510
3	Feed port	BH10230005710	-	BL54234833020
4	Feed box	BL54232401720	BL54233602020	-
5	Star knob	BH11127000010	BH11127000010	BH11127000010
6	Cutting chamber	BH85232400210	BH85233600210	BH85234800210
7	Sustain board	BH10230600610	BH10230600610	BH10230600610
8	Base	-	-	-
9	Castor	YW03000200000	YW03000200000	YW03000200000
10	Material collecting box	BL54232402821	-	-
11	Cover of the bearing	BL50230001020 BL50023000920	BL50230001020 BL50023000920-	BL50230001020 BL50023000920-
12	Case body	-	-	-
13	Top cover of the case	BL54230000221	BL54230000221	BL54230000221
14	Base cover of the case	BL54230000321	BL54230000321	BL54230000321
15	Material block piece	-	-	-
16	Cutting case	BH85232400210	BH85233600010	BH85234800010
17	Screen(Φ8)**	BL54232400820	BL54232444320	BL54234800820
18	Screen frame	BL54232400721	BL54232402721-	BL54234800421
19	Small belt pulley	YW30118400000	YW30118400000	YW30118400000
20	V shape belt*	YR00160000100	YR00160000100	YR00160000100
21	Big belt pulley	YW30400400000	YW30400400000	YW30400400000

* means possible broken parts.

** means easy broken part. and spare backup is suggested.

Please confirm the version of manual before placing the purchase order to guarantee that the item number of the spare part is in accordance with the real object.

Chart 2-2: Parts List (SG-30E)

No.	Name	Part No.	
		SG-3048E(H)	SG-3060E(H)
1	Motor	YM10716300200	YM10716600100
2	Sustain brace	BL54300000020	BL54300000020
3	Feed port	BL51240001521	BL54306000321
4	Feed box	BL54232400020	BL54306001720
5	Star knob	BH11127000010	BH11127000010
6	Cutting chamber	BH85304800210	BH85306000210-
7	Sustain board	BL54300000120	BL54300000120
8	Base	-	-
9	Castor	YW03000200000	YW03000200000
10	Material collecting box	BL51240001421	BL54306000221
11	Cover of the bearing	BL54003000020	BL54003000020
12	Case body	-	-
13	Top cover of the case	BL54300001320	BL54300001320
14	Base cover of the case	BL54300001420	BL54300001420
15	Material block piece	-	-
16	Cutting case	BH85304800010	BH85306000010
17	Screen(Φ8)**	BL54304800820	BL54306000820
18	Screen frame	BL54234831920	BL54003043020
19	Small belt pulley	YW30118400000	YW30118400000
20	V shape belt*	YR00167600000	YR00167600000
21	Big belt pulley	YW30400400100	YW30400400100

* means possible broken parts.

** means easy broken part. and spare backup is suggested.

Please confirm the version of manual before placing the purchase order to guarantee that the item number of the spare part is in accordance with the real object.