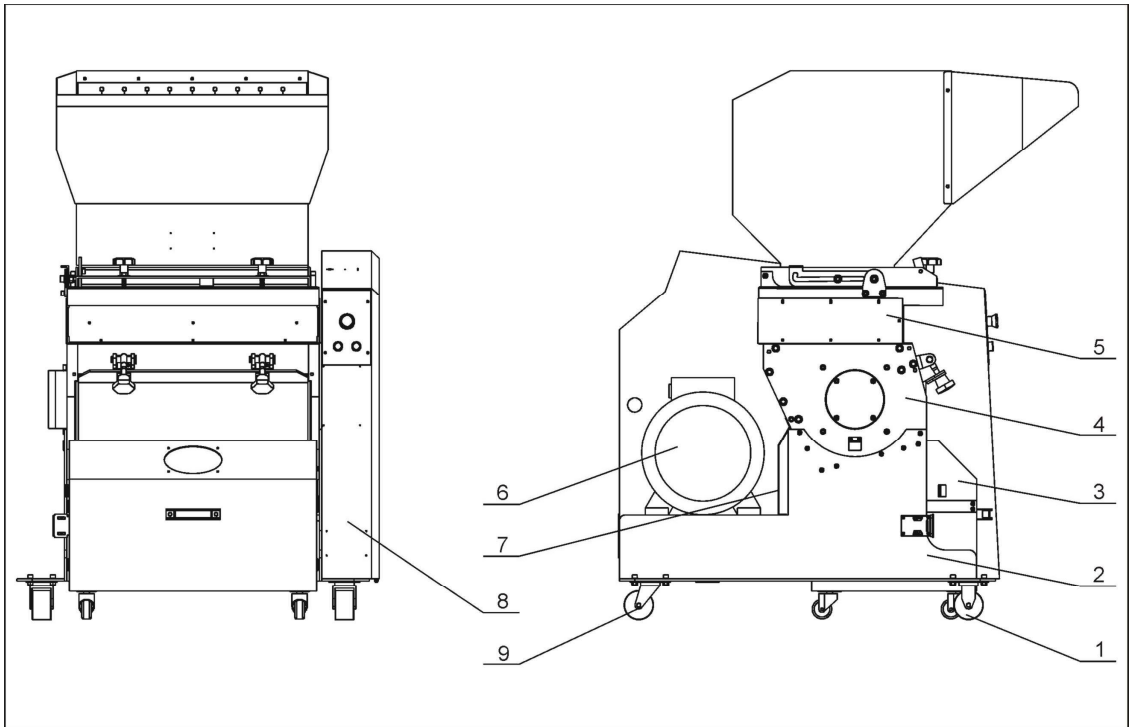


2.3 Assembly Drawing

2.3.1 Assembly Drawing (SG-23E / 30E)



Note: Please refer to 2.3.2 material list about the parts code.

Picture 2-5: Assembly Drawing (SG-23E / 30E)

2.3.2 Parts List (SG-23E / 30E)

Chart 2-1: Parts List (SG-23E)

No.	Name	SG-2324E		SG-2336E		SG-2348E	
		Part No.	Quantity	Part No.	Quantity	Part No.	Quantity
1	Fixed castor 3"	YW03000300500	2	YW03000300500	2	YW03000300500	2
2	Rack assembly	-	1	-	1	-	1
3	Storage box assembly	-	1	-	1	-	1
4	Cutting chamber assembly	Rack assembly	1	BH85433600010	1	BH85234800610	1
5	Feeding box assembly	-	1	-	1	-	1
6	Main driving device	-	1	-	1	-	1
7	Support plate	-	1	-	1	-	1
8	Cover parts	-	1	-	1	-	1
9	Rotary castor 3"	YW03000300600	2	YW03000300600	2	YW03000300600	2

* means possible broken parts.

** means easy broken part and spare backup is suggested.

Please confirm the version of manual before placing the purchase order to guarantee that the item number of the spare part is in accordance with the real object.

Chart 2-2: Parts List (SG-30E)

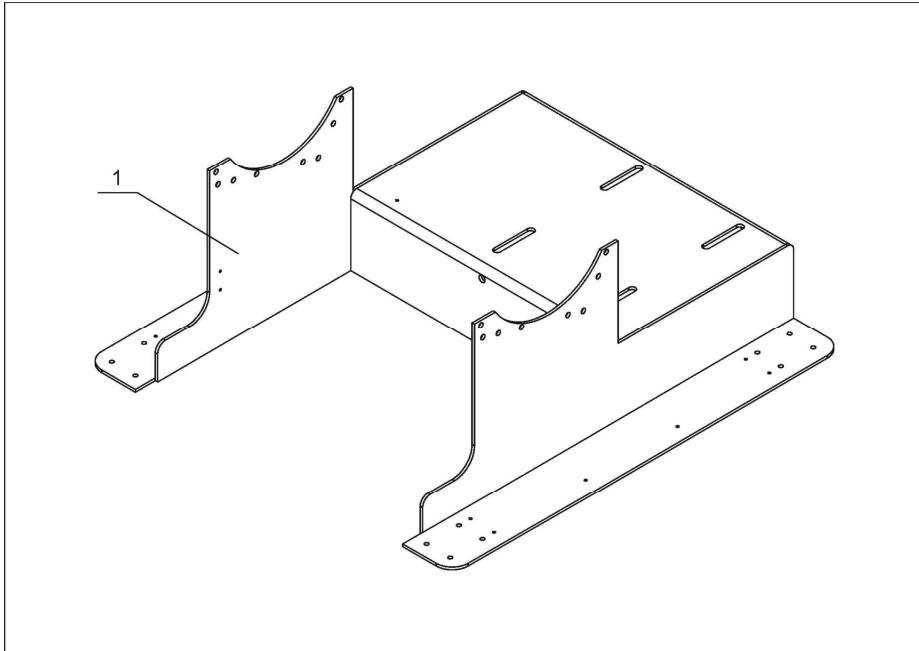
No.	Name	SG-3048E		SG-3060E	
		Part No.	Quantity	Part No.	Quantity
1	Fixed castor 3"	YW03000300500	2	YW03000300500	2
2	Rack assembly	-	1	-	1
3	Storage box assembly	-	1	-	1
4	Cutting chamber assembly	BH85304800810	1	BH85306000610	1
5	Feeding box assembly	-	1	-	1
6	Main driving device	-	1	-	1
7	Support plate	-	1	-	1
8	Cover parts	-	1	-	1
9	Rotary castor 3"	YW03000300600	2	YW03000300600	2

* means possible broken parts.

** means easy broken part. and spare backup is suggested.

Please confirm the version of manual before placing the purchase order to guarantee that the item number of the spare part is in accordance with the real object.

2.3.3 Rack Assembly



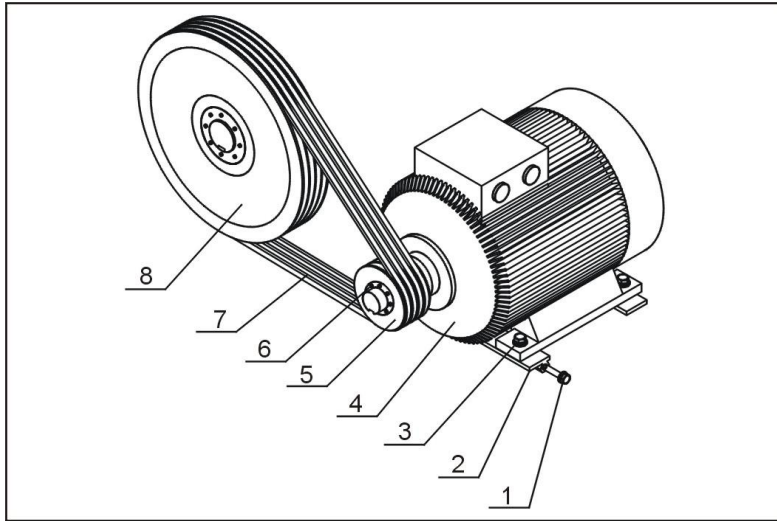
Picture 2-6: Rack Assembly

2.3.4 Parts List of Rack Assembly

Chart 2-3: Parts List of Rack Assembly (SG-23E/30E)

No.	Name	SG-23E/30E	
		Part No.	Quantity
1	Rack assembly	-	1

2.3.5 Main Driving Device



Picture 2-7: Main Driving Device

2.3.6 Parts List of Main Driving Device

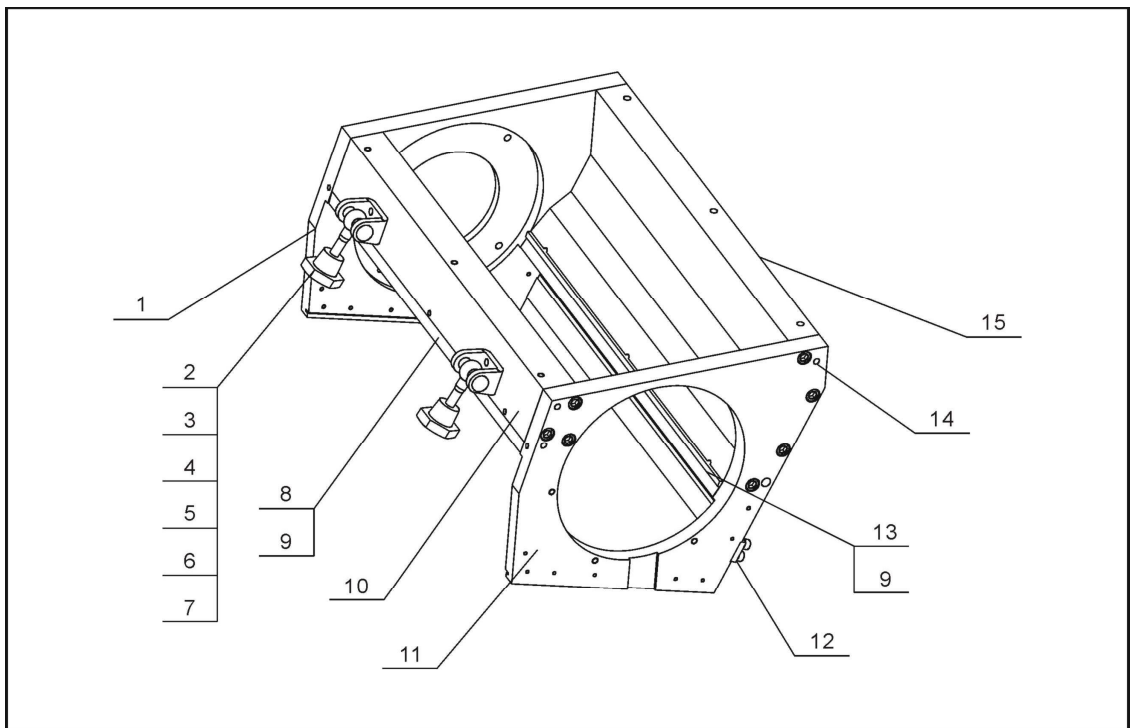
Chart 2-4: Parts List of Main Driving Device (SG-23E)

No.	Name	SG-2324E		SG-2336E		SG-2348E	
		Part No.	Quantity	Part No.	Quantity	Part No.	Quantity
1	Hexagonal head bolt M10×80	YW60108000000	2	YW60108000000	2	YW60108000000	2
2	Motor adjusting plate	BH10236100010	2	BH10236100010	2	BH10306500110	2
3	Hexagonal head bolt	YW60104000100	4	YW60104000100	4	YW60124500000	4
4	Motor	YM10135500000	1	YM10137500000	1	YM10716300300	1
5	Motor belt pulley	YW30118400000	1	YW30118400000	1	YW30118400000	1
6	Taper sleeve of belt pulley	YW30204200500	1	YW30204200500	1	YW30204200500	1
7	Triangle belt	YR00160000100	4	YR00160000100	4	YR00160000100	4
8	Big belt pulley with taper sleeve	YW30400400000	1	YW30400400000	1	YW30400400000	1

Chart 2-5: Parts List of Main Driving Device (SG-30E)

No.	Name	SG-3048E		SG-3060E	
		Part No.	Quantity	Part No.	Quantity
1	Hexagonal head bolt M10×80	YW60108000000	2	YW60108000000	2
2	Motor adjusting plate	BH10306500110	2	BH10306500110	2
3	Hexagonal head bolt M12×45	YW60124500000	4	YW60124500000	4
4	Motor	YM10716300300	1	YM10716600300	1
5	Motor belt pulley	YW30118400000	1	YW30118400000	1
6	Taper sleeve of belt pulley	YW30204200500	1	YW30204200500	1
7	Triangle belt	YR00170040000	4	YR00170040000	4
8	Big belt pulley with taper sleeve	YW30400400100	1	YW30400400100	1

2.3.7 Cutting Chamber Assembly One



Picture 2-8: Cutting Chamber Assembly One

2.3.8 Parts List of Cutting Chamber Assembly One

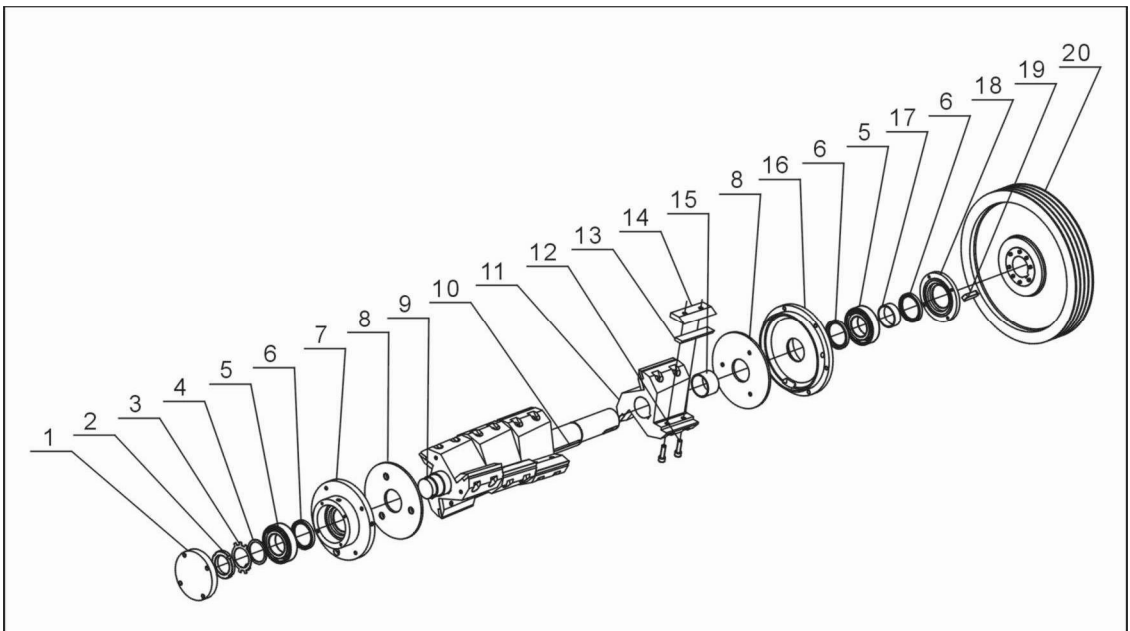
Chart 2-6: Parts List of Cutting Chamber Assembly One (SG-23E)

No.	Name	SG-2324E		SG-2336E		SG-2348E	
		Part No.	Quantity	Part No.	Quantity	Part No.	Quantity
1	Left side plate	BH10232500010	1	BH10232500010	1	BH10232500010	1
2	Hinge base	-	1	-	2	-	2
3	Hinge pin	YW09301400000	1	YW09301400000	2	YW09301400000	2
4	A type elastic ring for axis use 16	YW69001600000	1	YW69001600000	2	YW69001600000	2
5	Star knob	YW09003010500	1	YW09003010500	2	YW09003010500	2
6	Flat gasket	YW66123200100	1	YW66123200100	2	YW66123200100	2
7	Hexagon nut (M12)	YW09001200500	1	YW09001200500	2	YW09001200500	2
8	Front pressing block	BW30232400110	1	BW30233600110	1	BW30234800110	1
9	Fixed blades	BW40232400040	1	YW42233600100	2	YW42234800100	2
10	Front block	-	1	BW30233600010	1	BW30234800010	1
11	Right side plate	BH10231100010	1	BH10231100010	1	BH10231100010	1
12	Plate for hanging screen bracket	-	1	-	1	-	1
13	Rear pressing block	BW30232400410	1	BW30233600410	1	BW30234800410	1
14	Spring pin 8×35	YW69083500000	8	YW69083500000	8	YW69083500000	8
15	Rear block		1	BH10236500010	1	BH10230800010	1

Chart 2-7: Parts List of Cutting Chamber Assembly One (SG-30E)

No.	Name	SG-3048E		SG-3060E	
		Part No.	Quantity	Part No.	Quantity
1	Left side plate	BH10306501110	1	BH10306501110	1
2	Hinge base	-	2	-	2
3	Hinge pin	YW09301400000	2	YW09301400000	2
4	A type elastic ring for axis use 16	YW69001600000	2	YW69001600000	2
5	Star knob	YW09003010500	2	YW09003010500	2
6	Flat gasket	YW66123200100	2	YW66123200100	2
7	Star nut (M12)	YW09001200500	2	YW09001200500	2
8	Front pressing block	BW30304801310	1	BW30306101310	1
9	Fixed blades	YW42234800100	2	YW42325800000	2
10	Front block	BW30304800510	1	BW30306500010	1
11	Right side plate	BH10306101210	1	BH10306101210	1
12	Plate for hanging screen bracket	-	1	-	1
13	Rear pressing block	BW30304800910	1	BW30306901310	1
14	Spring pin 8×40	YW69084000000	8	YW69084000000	8
15	Rear block	BW30304800810	1	BW30306800310	1

2.3.9 Cutting Chamber Assembly Two (SG-23E)



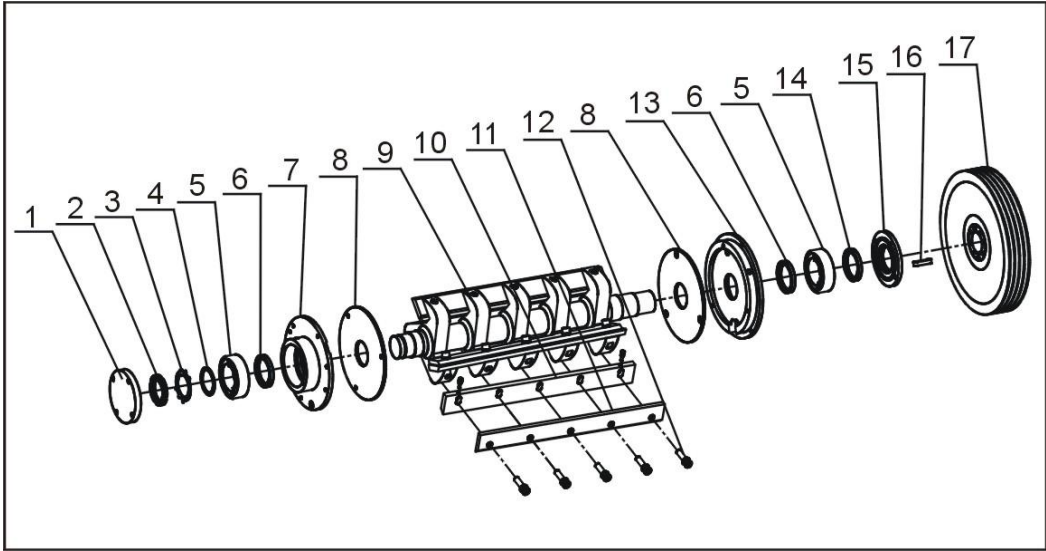
Picture 2-9: Cutting Chamber Assembly Two (SG-23E)

2.3.10 Parts List of Cutting Chamber Assembly Two (SG-23E)

Chart 2-7: Parts List of Cutting Chamber Assembly Two (SG-23E)

No.	Name	SG-2324E		SG-2336E		SG-2348E	
		Part No.	Quantity	Part No.	Quantity	Part No.	Quantity
1	Left bearing block cover plate	BH10232700010	1	BH10232700010	1	BH10232700010	1
2	Small round nut M52×1.5	YW65215000000	1	YW65215000000	1	YW65215000000	1
3	Stop washer 52	YW09521600000	1	YW09521600000	1	YW09521600000	1
4	Bearing washer	-	1	-	1	-	1
5	Self-aligning roller bearing 22211C	YW11222100600	2	YW11222100600	2	YW11222100600	2
6	Oil seal 75×60×8	YR80756000000	3	YR80756000000	3	YR80756000000	3
7	Left bearing block	BH10232600010	1	BH10232600010	1	BH10232600010	1
8	Material baffle plate	YW45230000000	2	YW45230000000	2	YW45230000000	2
9	Shaft	-	1	BH10236600010	1	BH11236200010	1
10	Flat key 16×10×L	BH10232410010	1	BH10233610010	1	BH10234810010	1
11	Blade rest	-	2	-	3	-	4
12	Inner hexagon column screw M10×40	YW61104000200	12	YW61104000200	18	YW61104000200	24
13	Rotary blades	YW42023001000	6	YW42023001000	9	YW42023001000	12
14	Pressing plate for rotary blades	BH10125000010	6	BH10125000010	9	BH10125000010	12
15	Shaft sleeve 1	BH10231900010	1	BH10231900010	1	BH10231900010	1
16	Right bearing block	BH10231200010	1	BH10231200010	1	BH10231200010	1
17	Shaft sleeve 2	BH10231400010	1	BH10231400010	1	BH10231400010	1
18	Right bearing block cover plate	BH10232300010	1	BH10232300010	1	BH10232300010	1
19	Flat key 16×10×50	BH10231500010	1	BH10231500010	1	BH10231500010	1
20	Big belt pulley with taper sleeve SPA400-4-3020-55	YW30400400000	1	YW30400400000	1	YW30400400000	1

2.3.11 Cutting Chamber Assembly Two (SG-30E)



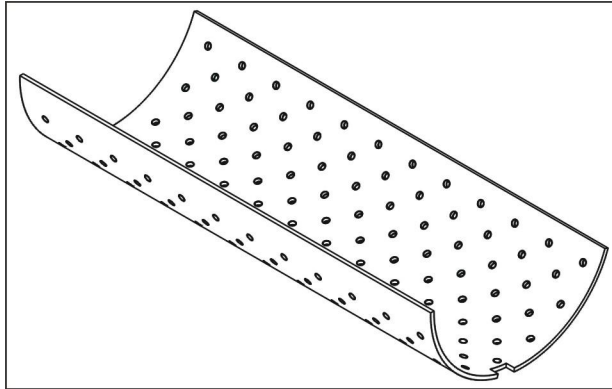
Picture 2-10: Cutting Chamber Assembly Two (SG-30E)

2.3.12 Parts List of Cutting Chamber Assembly Two (SG-30E)

Chart 2-8: Parts List of Cutting Chamber Assembly Two (SG-30E)

No.	Name	SG-3048E		SG-3060E	
		Part No.	Quantity	Part No.	Quantity
1	Left bearing block cover plate	BW30301300010	1	BW30301300010	1
2	Small round nut M64×2	YW64642000000	1	YW64642000000	1
3	Stop washer 64	YW09640000000	1	YW09640000000	1
4	Bearing washer	BL54301110020	1	BL54301110020	1
5	Self-aligning roller bearing 22213	YW11222100300	2	YW11222100300	2
6	Oil seal 90×70×10	YR80971000000	2	YR80971000000	2
7	Left bearing block	BW30301200010	1	BW30301200010	1
8	Material baffle plate	BH11300820010	2	BH11300820010	2
9	Blade shaft	BH11306006110	1	BH11306006110	1
10	Rotary blades	BW30301300010	3	BW30301300010	3
11	Pressing plate for rotary blades	BH11304803810	3	BH10306000910	3
12	Inner hexagon column screw	YW61145000000	15	YW61145000000	15
13	Right bearing block	BW30300202110	1	BW30300202110	1
14	Oil seal 80×65×8	YR80806500000	1	YR80806500000	1
15	Oil seal 80×65×8	YR80806500000	1	YR80806500000	1
16	Flat key 18×11×55	-	1	-	1
17	Big belt pulley with taper sleeve	YW30400400100	1	YW30400400100	1

2.3.13 Screen



Picture 2-11: Screen

2.3.14 Parts List of Screen

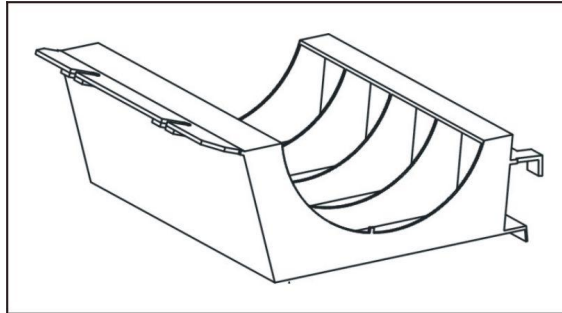
Chart 2-9: Parts List of Screen (SG-23E)

No.	Name	SG-2324E		SG-2336E		SG-2348E	
		Part No.	Quantity	Part No.	Quantity	Part No.	Quantity
1	Screen 8mm	BL54232400820	1	BL54233600820	1	BL54234800820	1

Chart 2-10: Parts List of Screen (SG-30E)

No.	Name	SG-3048E		SG-3060E	
		Part No.	Quantity	Part No.	Quantity
1	Screen 8mm	BL54304806020	1	BL54306006020	1

2.3.15 Screen Bracket Assembly



Picture 2-12: Screen Bracket Assembly

2.3.16 Parts List of Screen Bracket Assembly

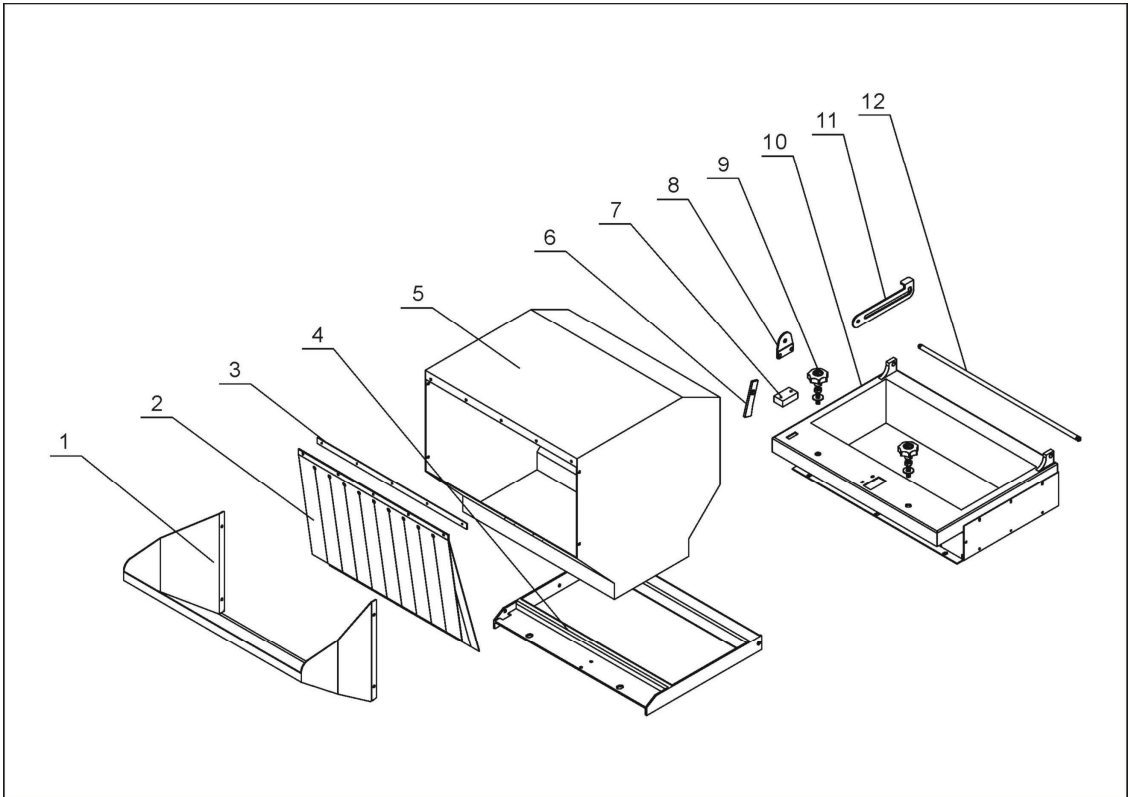
Chart 2-10: Parts List of Screen Bracket Assembly (SG-23E)

No.	Name	SG-2324E		SG-2336E		SG-2348E	
		Part No.	Quantity	Part No.	Quantity	Part No.	Quantity
1	Screen Bracket Assembly	-	1	-	1	-	1

Chart 2-11: Parts List of Screen Bracket Assembly (SG-30E)

No.	Name	SG-3048E		SG-3060E	
		Part No.	Quantity	Part No.	Quantity
1	Screen Bracket Assembly	-	1	-	1

2.3.17 Parts List of Feeding Box Assembly



Picture 2-13: Feeding Box Assembly

2.3.18 Parts List of Feeding Box Assembly

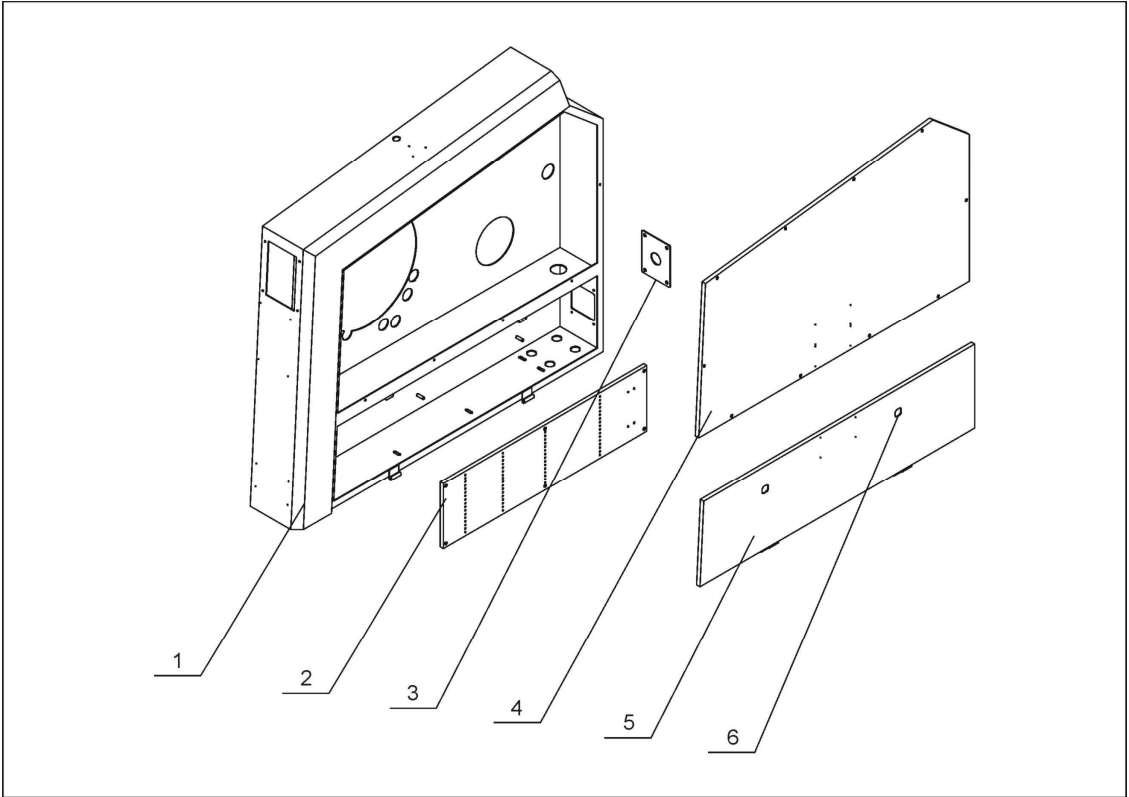
Chart 2-12: Parts List of Feeding Box Assembly (SG-23E)

No.	Name	SG-2324E		SG-2336E		SG-2348E	
		Part No.	Quantity	Part No.	Quantity	Part No.	Quantity
1	Feeding port	-	1	-	1	-	1
2	Material baffle plate	-	1	-	1	-	1
3	Press plate for material baffle plate	-	1	-	1	-	1
4	Square pipe rack	-	1	-	1	-	1
5	Feeding box	-	1	-	1	-	1
6	Pothook	-	1	-	1	-	1
7	Switch fixing block	-	1	-	1	-	1
8	Mounting base	-	1	-	1	-	1
9	Star knob assembly of feeding box	BH11300200010	1	BH11300200010	2	BH11300200010	2
10	Granulating box	-	1	-	1	-	1
11	Support frame	-	1	-	1	-	1
12	Feeding box shaft	BH10300800040	2	BH10300800040	2	BH10300800040	2

Chart 2-13: Parts List of Feeding Box Assembly (SG-30E)

No.	Name	SG-3048E		SG-3060E	
		Part No.	Quantity	Part No.	Quantity
1	Feeding port	-	1	-	1
2	Material baffle plate	-	1	-	1
3	Press plate for material baffle plate	-	1	-	1
4	Square pipe rack	-	1	-	1
5	Feeding box	-	1	-	1
6	Pothook	-	1	-	1
7	Switch fixing block	-	1	-	1
8	Mounting base	-	1	-	1
9	Star knob assembly of feeding box	BH11300200010	2	BH11300200010	2
10	Granulating box	-	1	-	1
11	Support frame	-	1	-	1
12	Feeding box shaft	BH10300800040	2	BH10300800040	2

2.3.19 Cover Parts



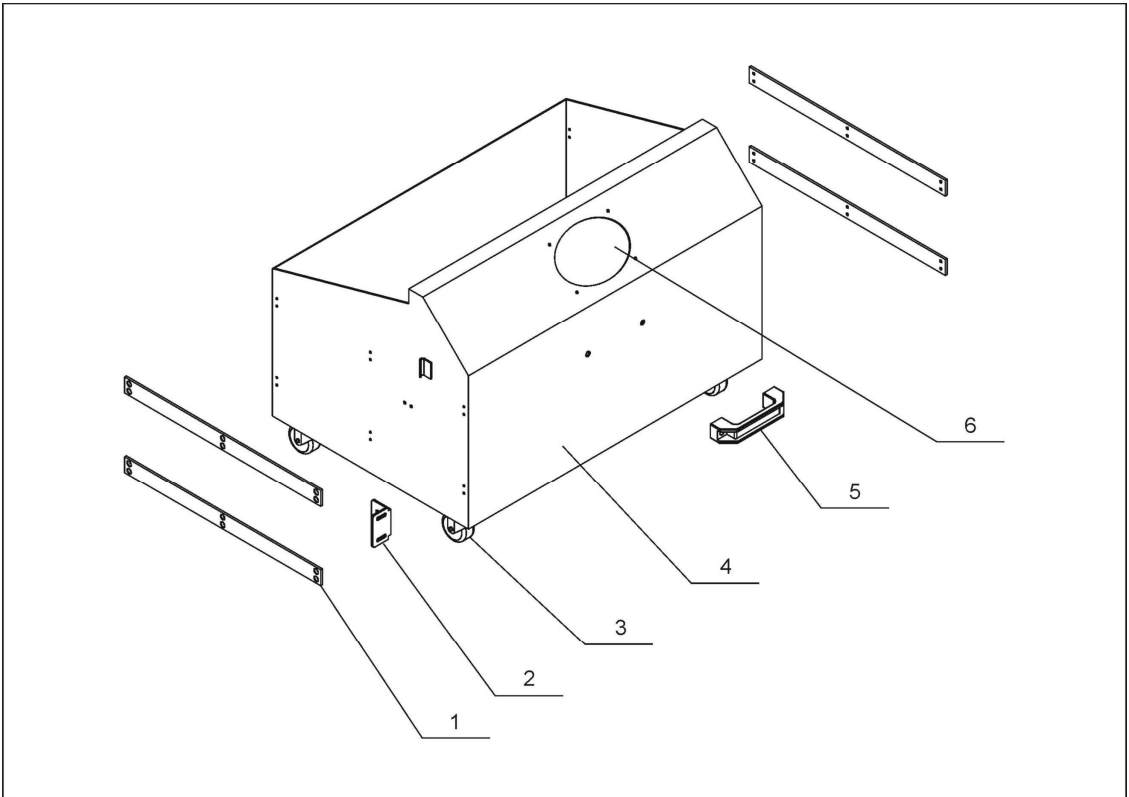
Picture 2-14: Cover Parts

2.3.20 Parts List of Cover Parts (SG-23E/30E)

Chart 2-14: Parts List of Cover Parts (SG-23E/30E)

No.	Name	SG-23E/30E	
		Part No.	Quantity
1	Shell	-	1
2	Wiring board	-	1
3	Clamp fixing plate	BL50210000020	1
4	Upper cover plate of shell	-	1
5	Under cover plate of shell	-	1
6	Door lock	YW00000000100	2

2.3.21 Storage Box Assembly



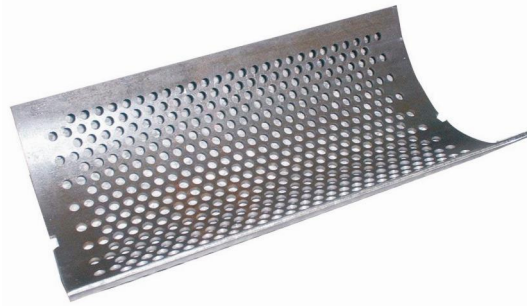
Picture 2-15: Storage Box Assembly

2.3.22 Parts List of Storage Box Assembly

Chart 2-15: Parts List of Storage Box Assembly (SG-23E/30E)

No.	Name	SG-23E/30E	
		Part No.	Quantity
1	Baffle plate	-	4
2	Fixing plate of safety switch	-	1
3	Rotary castor 2"	YW03000200000	4
4	Storage box	-	1
5	Aluminum square handle	BW20012000140	1
6	Sight glass	-	1

2.3.23 Screen



Picture 2-16: Screen

Diameter (mm)	Part No.				
	SG-2324E	SG-2336E	SG-2348E	SG-3048E	SG-3060E
Φ4	BL54232400420	BL54233600420	BL54234800420	BL54304806120	BL54306006120
Φ6	BL54232400620	BL54233600620	BL54234800620	BL54304806220	BL54306006220
Φ10	BL54232401020	BL54233601020	BL54234801020	BL54304806320	BL54306006320
Φ12	BL54232401220	BL54233601220	BL54234801220	BL54304806420	BL54306006420

2.3.24 Blades

Material	International Code		
	China	America	Japan
SKD11	Cr12MoV	D2	SKD11