



Honeycomb Dehumidifier

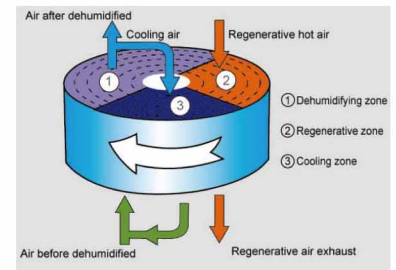
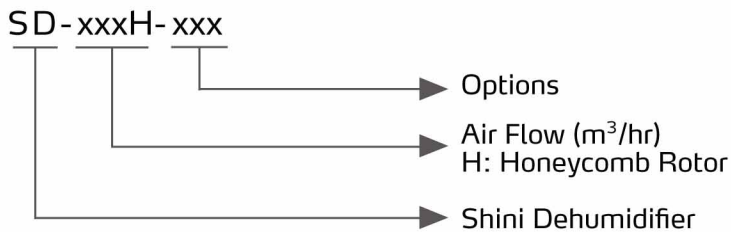
SD-40H



Refer carefully to the manual before operation.

SD-H Series

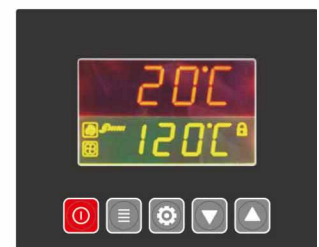
■ Coding Principle



Honeycomb Rotor Working Principle

■ Features

- Adopts P.I.D. temperature controller to accurately control regenerative temperature.
- The dehumidifying system of the SD-H series features coolers to ensure a low return air temperature and low dew-point.
- Inbuilt return air filter avoids of honeycomb contamination and ensures long service life.
- Adopt molecular sieve structure honeycomb, which provides low dew-point dry air and is superior to double-barrel dehumidifier that will contaminate raw material due to damaged molecular sieve.



Touch Control Panel

■ Application

SD-H honeycomb dehumidifier is mainly used to provide low dew point dry air, which can collocate with hopper dryer to process highly hygroscopic engineering plastics. This series of machines can reach an average dew point temperature of -40°C (The dew-point varies with ambient air and temperature changes) with right setup and maximum drying air volume can reach $4,000\text{m}^3/\text{hr}$. If some dry materials are volatile, they must use EOF filter.

■ Working Principle

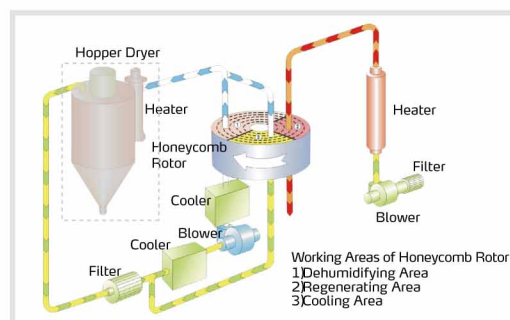


3D animation
(Tencent)



3D animation
(Youtube)

System Flow Chart

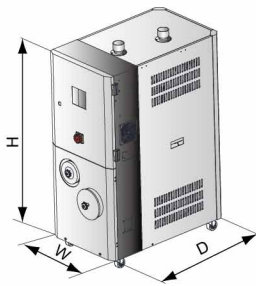


■ Options

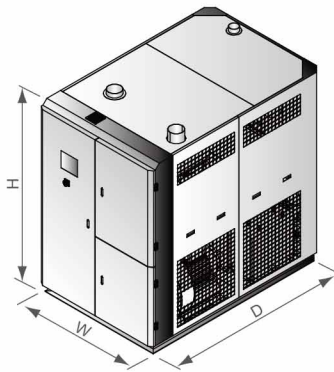
- Controllable drying heater is optional, add "C" at the end of the model code. (Only Applicable for SD-1000H~4000H, it has to work with the DH-U-PH)
- Inbuilt drying heater is optional, add "PHC" at the end of the model code. (Only applicable for SD-40H~700H)
- Intelligent airflow regulating function is optional, add "SM4", "SM8" at the end of the model code, in which the number behind SM depends on the quantity of collocated Modular Dryer. For example, if the quantity of Dryer is less than 4, select SM4 and so on. A touch panel is indispensable if this function is selected. This optional function should work with MHD-U Modular Hopper Dryer, please refer to the dehumidifying and drying modularization.

- For models optional with energy-saving drying function, add "ES" at the end of the model code. Standard equipped with touch panel human-machine interface, it can automatically adjust the energy consumption as per material dosage. Collocated with regenerative heat recycler, total power consumption can be saved up to 41%.
- Optional air cooler instead of conventional water cooler method, it is suitable for a cool and dry ambient, Add "A" at the end of the model code.
- Upgraded to PLC & touch panel, add "LC" at the end of the model code.
- The optional built-in dew point monitor is available, which is used to monitor real-time dew point. Add "D" at the end of the model code.

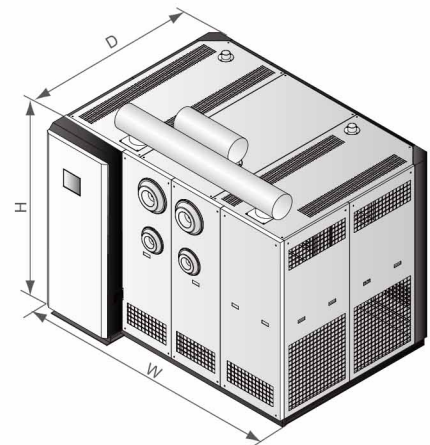
Outline Drawings



SD-40H~700H



SD-1000H~2000H



SD-3000H~4000H

Specifications

Model	SD-	40H	80H	120H	200H	400H	700H	1000H	1500H	2000H	3000H	4000H	
Rege.Heater (50/60Hz) (kW)		3/3	3/4	4/4	4/6	7.2/7.2	10/10	15/15	30/30	28/28	32/32	56/56	
Rege. Blower (kW, 50/60Hz)		0.12/0.12	0.18/0.23	0.18/0.23	0.4/0.5	0.75/0.9	1.5/0.8	3.75/4.7	7.5/8.6	7.5/8.6	9/11	5.5×2/6.3×2	
Process Heater* (kW)		4	4	6	12	18	24	32	58	80	96	128	
Process Blower (kW, 50/60Hz)		0.18/0.2	0.75/0.9	0.75/0.9	1.5/1.8	3.75/4.5	7.5/8.6	12.5/15.4	11/11	12.5×2/14.5×2	13×3/15×3	13×4/15×4	
Drying Air Quantity (m ³ /hr, 50/60Hz)		40/47	80/95	120/130	200/220	400/450	700/780	1000/1150	1500/1750	2000/2300	3000/3400	4000/4500	
Pipe Dia. (inch)		2	2	2	2.5	3	4	5	8	8	8	12	
Cooling Water Flow Rate	L/min	5	10	15	30	50	80	120	180	240	360	480	
	gal/min	1.32	2.6	4	8	13.2	21	31.7	47.6	63.4	95	126.8	
Dimension	H	mm	1260	1360	1360	1560	1745	1935	2145	2060	2060	2240	2060
		inch	49.6	53.5	53.5	61.4	68.7	76.2	84.4	81.1	81.1	88.2	81.1
	W	mm	510	530	530	660	700	900	1300	1410	1410	2035	2750
		inch	20	20.9	20.9	26	27.6	35.4	51.2	55.5	55.5	80.1	108.3
D	mm	860	820	820	1050	1255	1380	1550	2150	2150	2160	2250	
	inch	33.9	32.3	32.3	41.3	49.4	54.3	61	84.6	84.6	85	88.6	
Weight	kg	145	170	170	265	330	480	700	1010	1300	1600	2200	
	lb	320	375	375	584	728	1058	1543	2227	2866	3527	4850	

Notes: 1) Plastic materials can be fully dried by drying air with dew-point temperature $\leq -20^{\circ}\text{C}$. We reserve the right to change specifications without prior notice.
 2) "*" Stands for optional drying heater, and add "PH" at the end of the model code.
 3) Power: 3 ϕ , 230/400/460/575VAC, 50/60Hz.

Shini Group

Addr: No. 23, Minhe St., Shulin Dist.,
New Taipei, Taiwan

Tel: +886 2 2680 9119

Fax: +886 2 2680 9229

Email: shini@shini.com

Factories:

- Taiwan
- Dongguan
- Pinghu
- Ningbo
- Chongqing
- Pune

2025-09-15-04 Copyrights Reserved.

www.shini.com