



"Regular" Series SG-B

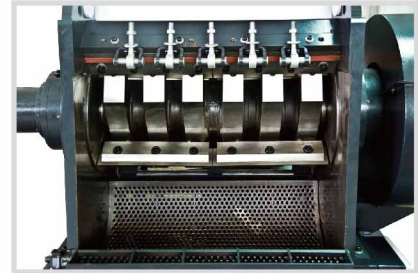
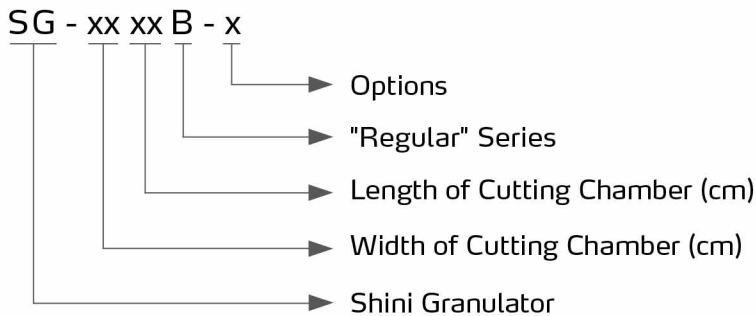
SG-4390B



Refer carefully to this manual before operation.

SG-B Series

■ Coding Principle



V-Type Cutting Blades

■ Features

- Rotating cutters adopt V-type cutting technology which can send the feeding material into the center of rotating cutters so to prevent the material from adhering onto the inner side of the cutting chamber while enhancing its wearability.
- The cutters are made of high quality steel featuring wearability, high rigidity, long service life and reusable after re-sharpening.
- Cutting chamber made of high rigidity material, after processing by CNC machine, has the features like high intensity, super wearability, no contamination, long service life and easy for maintenance and repairing.
- Sound-proof feeding box reduces the noise level in operation, also equips a safety material checking curtain which ensures no material sprinkling during granulating.
- V-type transmission belts help maintain a balanced operation mode, close contact, and also easy to disassemble and repair.
- Both feeding hopper and screen cradle can be opened and closed by the electronic handspike system which ensures safe operation.
- Cooling water device at the rear plate of cutting chamber can effectively cool down the cutting chamber and prevent the inside material from melting up.
- The presetting knife jig, which enables to reshape of the blades and installation without too much cost and time.



Screen and screen bracket



Heavy duty transmission design



High quality crushing chamber



Presetting Knife Jig

■ Application

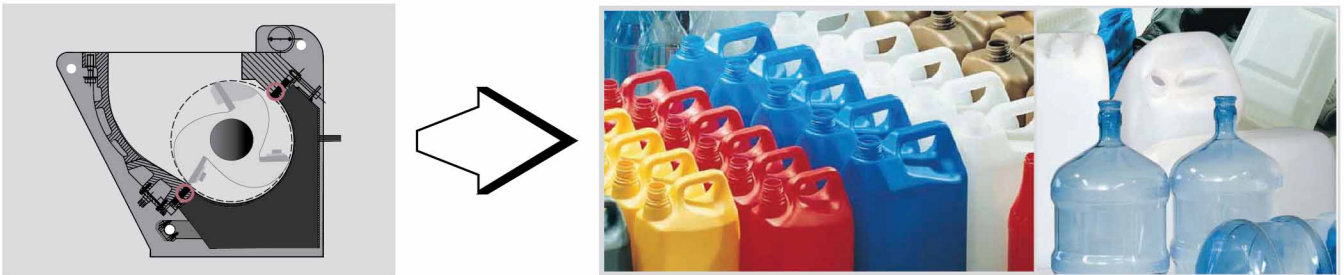
SG-B series granulators are applicable to granulate various kinds of plastic materials from injection molding, blow molding or extrusion molding.

Different Cutting Angles for Different Materials

When granulating different kinds of plastic wastes, such as plates, frames, die head from injection molding, sprues and pipes, etc, SG-50B series have two kinds of cutting angles for different materials.

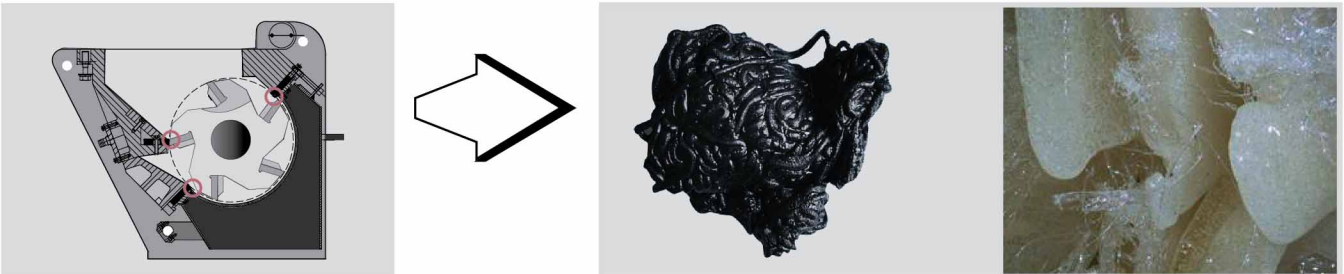
3 Rotating Blades and 2 Fixed Blades (Standard Type)

Two rows of fixed blades model has big inlet space and initially low cutting point. Material can be easily grabbed and cut thus making this rotor/housing combination ideal for the granulation of hollow objects such as bottles, crates and drums as well as large bulky materials.



5 Rotating Blades and 3 Fixed Blades

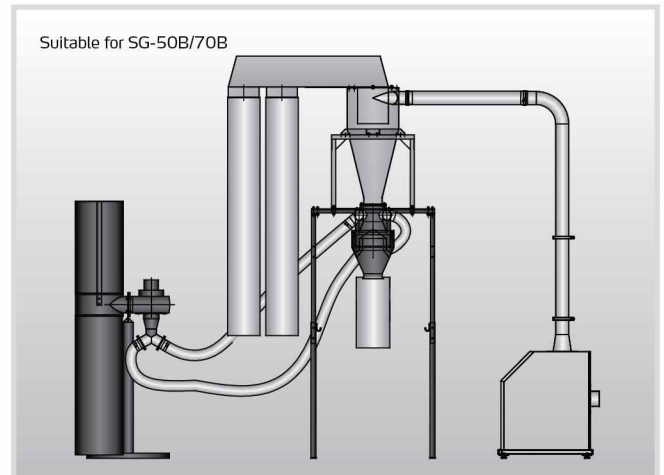
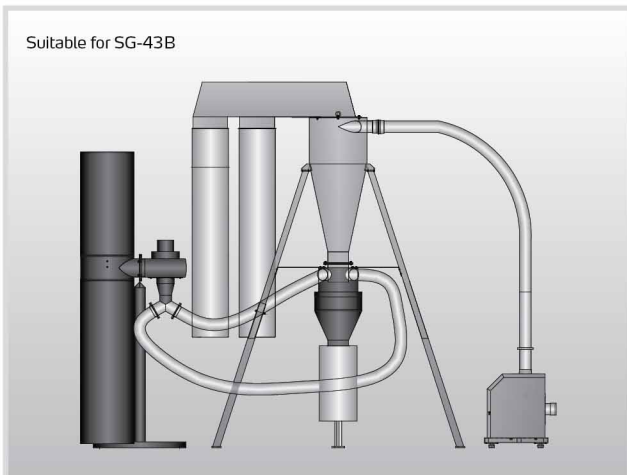
This semi-closed rotor has much smaller spaces between the blade rows thus preventing material from falling into the rotor and 3 fixed blades design which restricts the inlet opening and moves the initial cutting point higher in the machine, there is consequently a less aggressive cutting action meaning no blockage or rotor stall even under the most extreme conditions. These massive, extremely robust rotors are ideally suited for difficult, heavy duty applications such as start-up lumps and head waste, thick walled pipes, heavy sheets etc.



Options

Dust-separating system

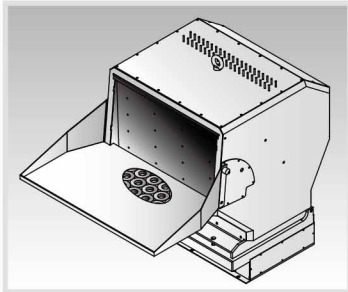
Optional dust-separating system to remove the dusts in the material, and add "DS" at the end of the model code.



SG-B Series

Options

Feed Hopper with Magnet



Feed hopper with magnet is used to take out metal scraps and impurities in the material. (Suitable for SG-43B)
Add "FHM" at the end of the model code;

Special Screen



Φ8, Φ10, Φ17, Φ25(mm) are optional for SG-43B;
Φ8, Φ10, Φ14, Φ17, Φ25(mm) are optional for SG-50B;
Φ10, Φ14, (mm) are optional for SG-70B.
add "SS + screen diameter" at the end of the model code, e.g.: Φ8mm, add "SS08".

Flywheel



Increase inertia, thereby increasing the cutting ability, at the same time it can offer a more balanced force and longer service life.
Add "FW" at the end of the model code.

Separate Conveying Blower

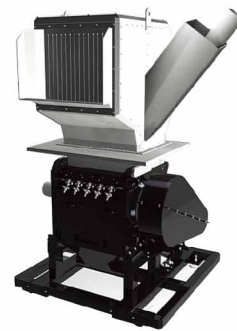


SG-43B



SG-50B/70B

Material Side Feed Pipe



The design of feeding hopper of traditional granulators is not suitable for longer pipes and section bars. We have designed material side feed pipe for convenient feeding of long materials.
Add "SF" at the end of the model code.

The blower stands outside the machine. Without restriction of the inner space of the machine, customer can choose different kinds of blowers. Add "SC" at the end of the model code.

Feeding Hopper for Conveyor

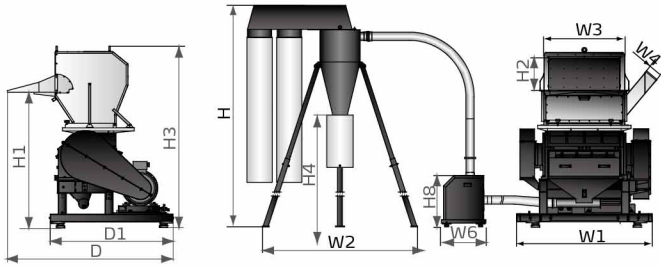


Material feeding for traditional large granulators is quite a difficult matter. They are generally installed at a lower place or a platform must be built for material feeding. Shini has particularly designed the belt conveyor to easily convey the material into the cutting chamber of SG-43 series.

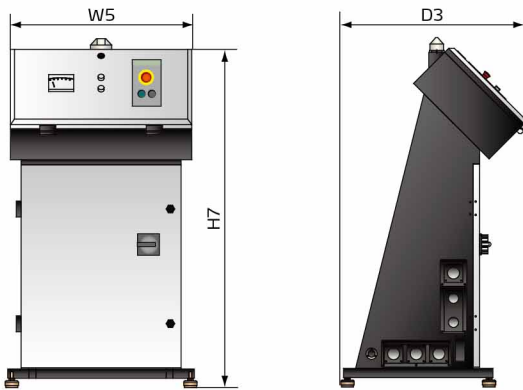
Add "BCF" at the end of the model code.

- The function of fiber reinforced material granulating is optional. Adopt surface-hardening treatment on the material contacting component. Blade material is V-4E joint with S50C, and add "F" at the end of the model code.
- Full-receive alarm device helps to realize unmanned operation and no materials will be wasted, and add "FAD" at end of the model code.
- For stainless steel made feed hopper cover plate and storage tank, Add "R" at end of the model code.
- Higher-power conveying blower is optional, add "EC" at the end of model code.
- Higher-power motor is optional, add "H" at the end of model code.
- For models optional with three fixed plus five rotating blades (refer to the specifications), add "FT" at the end of the model code.

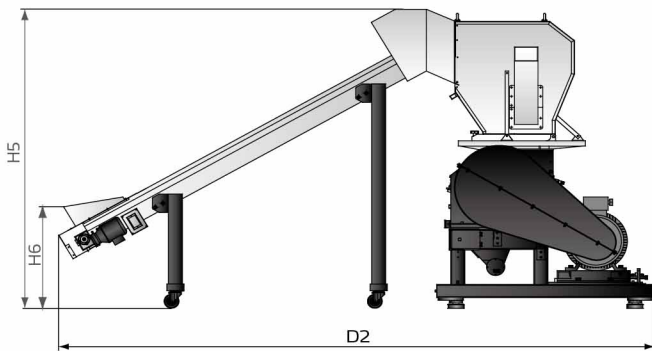
Outline Drawings(SG-43B)



Separated blower is optional



Control box



Conveyor belt is optional

Specifications(SG-43B)

Model	SG-4360(H)B	SG-4390(H)B		
Motor Power (kW, 50/60Hz)	30/34(37/41.5)	37(41.5)/45(51)		
Conveying Blower (kW, 50/60Hz)	○(2.2/2.55)	○(2.2/2.55)		
Rotating Speed (rpm, 50/60Hz)	525/630	525/630		
Quantity of Fixed Blades	2 x 1	2 x 2		
Quantity of Rotating Blades(Optional)	3 x 1(5 x 1)	3 x 2(5 x 2)		
Cutting Chamber	mm	430 x 600		
	inch	16.9 x 23.6		
Max. Output	kg/hr	800		
	lb/hr	1764		
Noise Level dB(A)	105~110	105~110		
Material of Blades	SKD11	SKD11		
Screen Dia.	φ12 mm/0.47"	φ12 mm/0.47"		
Increased Material Conveying Blower Power (kW)	○(7.5)	○(7.5)		
Dimensions	H	mm	2710-3155	2710-3155
		inch	106.7-124.2	106.7-124.2
	H1	mm	1708	1708
		inch	67.2	67.2
	H2	mm	430	430
		inch	16.9	16.9
	H3	mm	2260	2260
		inch	89	89
	H4	mm	1240-1690	1240-1690
		inch	48.8-66.5	48.8-66.5
	H5	mm	2277	2277
		inch	89.6	89.6
	H6	mm	750	750
		inch	29.5	29.5
	H7	mm	1268	1268
		inch	49.9	49.9
	H8	mm	636(970)	636(970)
		inch	25(38.2)	25(38.2)
	W1	mm	1390	1690
		inch	54.7	54.7
	W2	mm	1900-2310	1900-2310
		inch	74.8-90.9	74.8-90.9
	W3	mm	600	900
		inch	23.6	35.4
W4	mm	160x160	160x160	
	inch	6.3x6.3	6.3x6.3	
W5	mm	720	720	
	inch	28.3	28.3	
W6	mm	552(630)	552(630)	
	inch	21.7(24.8)	21.7(24.8)	
D	mm	1978	1978	
	inch	77.9	77.9	
D1	mm	1553	1553	
	inch	61.1	61.1	
D2	mm	4300	4300	
	inch	169.3	169.3	
D3	mm	690	690	
	inch	27.2	27.2	
Weight	kg	2300(2350)	2630(2680)	
	lb	5071(5181)	5798(5908)	

Notes: 1) "○" stands for optional.

2) SKD11 is steel grade of Japanese JIS standard.

3) Max. capacity of the machine is subject to diameter of screen mesh and composition of the material.

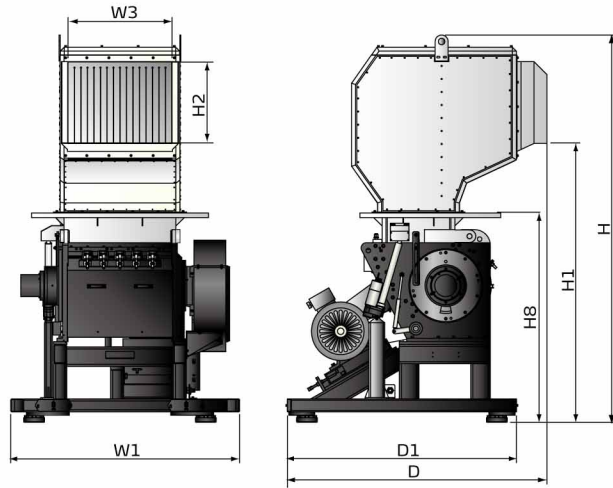
4) Noise level varies with different materials and motor types.

5) Noise level is tested under conditions of 1m around the machine and 1.6m from the ground.

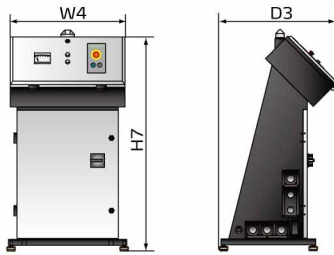
6) Power supply : 3Φ, 230/400/460, 50/60Hz.

SG-B Series

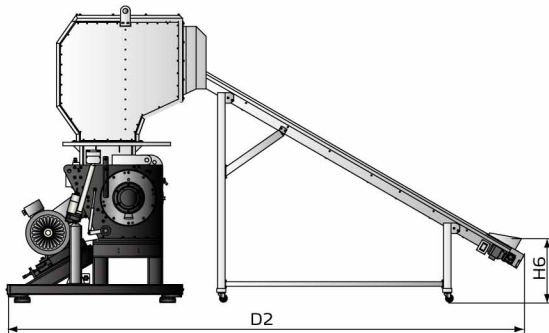
Outline Drawings(SG-50B)



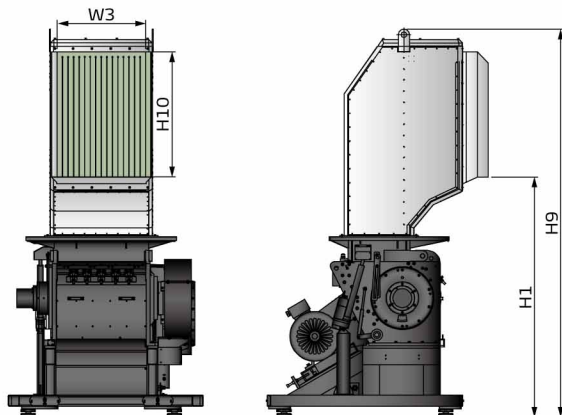
SG-50B



Control box



Conveyor belt is optional



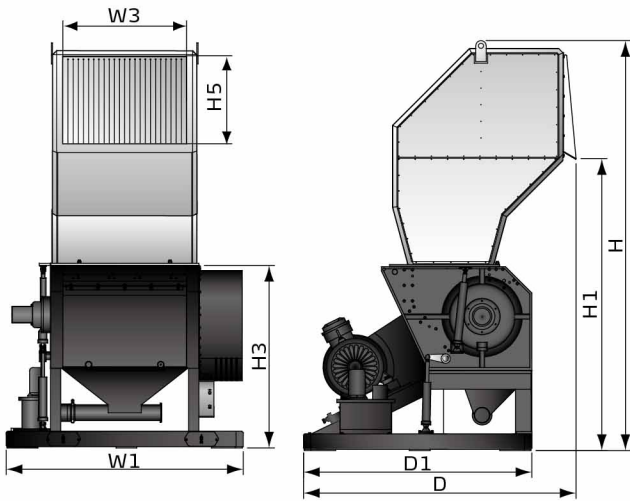
Optional height-increasing storage bin

Specifications(SG-50B)

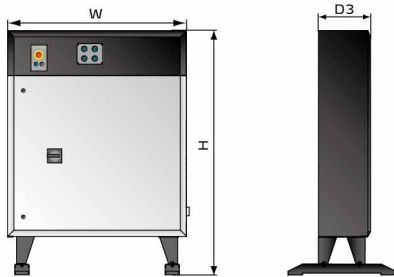
Model	SG-5080B	SG-50110B		
Motor Power	37	45		
Rotating Speed (rpm, 50/60Hz)	525/630	525/630		
Feeding blower (50/60Hz)	3/3.4	4/4.6		
Handspike motor (50/60Hz)	0.32/0.37	0.32/0.37		
Material of Blades	SKD11	SKD11		
Quantity of Fixed Blades (Optional)	2 (3)	2 (3)		
Quantity of Rotating Blades (Optional)	3 (5)	3 (5)		
Cutting Chamber	mm	500 x 800		
	inch	19.6 x 31.5		
Max. Output (kg/hr)	1100	1500		
Noise Level dB(A)	110~115	110~115		
Cooling Water Device	●	●		
Height-increasing storage bin	○	○		
Screen Dia.	mm	Φ12		
	inch	Φ0.47		
Dimension	H	mm 2980	2980	
		inch	117.3	117.3
	H1	mm 2170	2150	
		inch	85.4	85.4
	H2	mm 620	620	
		inch	24.4	24.4
	H6	mm 690	690	
		inch	27	27
	H7	mm 1260	1260	
		inch	49.6	49.6
	H8	mm 1630	1610	
		inch	64.2	64.2
	H9	mm 3500	3500	
		inch	137.8	137.8
	H10	mm 1190	1190	
		inch	46.9	46.9
	W1	mm 1740	2040	
		inch	68.5	80.3
	W3	mm 800	1100	
	inch	31.5	43.3	
W4	mm 700	700		
	inch	27.6	27.6	
D	mm 2000	2000		
	inch	78.7	78.7	
D1	mm 1740	1740		
	inch	68.5	68.5	
D2	mm 5470	5470		
	inch	215.4	215.4	
D3	mm 690	690		
	inch	27.2	27.2	
Weight	kg	3130	3780	
	lb	6900	8333	

- Notes: 1) "●" stands for standard, "○" stands for options, "-" stands for none.
 2) SKD11 is steel grade of Japanese JIS standard.
 3) Maximum output is subject to the diameter and material of screen mesh. For granulating frame and shell material, maximum output will be reduced about 50%.
 4) Noise level varies with different materials and motor type.
 5) Noise level is tested under conditions of 1m/3.3feet around the machine and 1.6m/5.2feet from the ground.
 6) To avoid plastics from sticking to the blades, all materials should be crushed at normal temperature.
 7) Power supply: 3Φ, 230/400/460/575VAC, 50/60Hz.

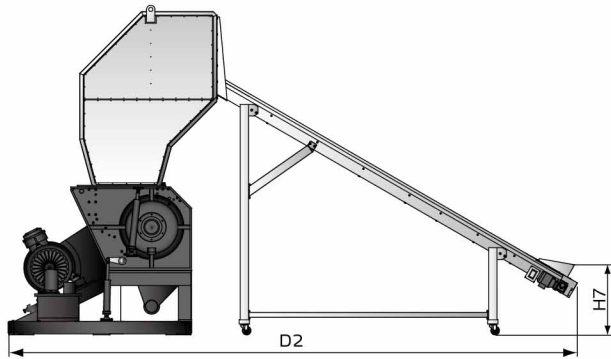
Outline Drawings(SG-70B)



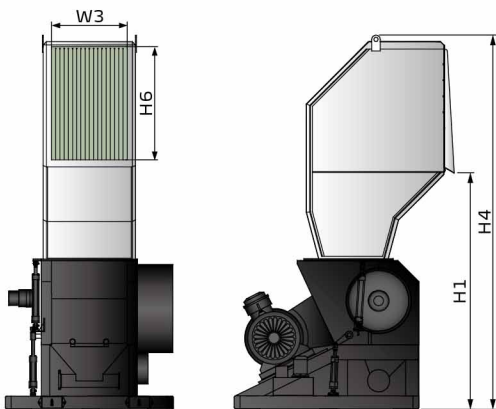
SG-70B



Control box



Conveyor belt is optional



Optional height-increasing storage bin

Specifications(SG-70B)

Model	SG-7090B	SG-70120B
Motor Power	75	90
Rotating Speed (rpm, 50/60Hz)	525	525
Conveying Blower (kW, 50/60Hz)	7.5/8.6	7.5/8.6
Motor power hydraulic system(kW)	1.5	1.5
Material of Blades	SKD11	SKD11
Quantity of Fixed Blades(option)	2 × 2(3 × 2)	2 × 2(3 × 2)
Quantity of Rotating Blades(option)	3 × 2(5 × 2)	3 × 2(5 × 2)
Cutting Chamber	mm	700 x 900
	inch	27.5 x 35.4
Max. Output	kg/hr	1300
	lb/hr	2866
Height-increasing storage bin	○	○
Screen Dia.	mm	Φ12
	inch	Φ0.47
H (mm)	mm	3950
	inch	155.5
H1 (mm)	mm	2815
	inch	110.8
H3 (mm)	mm	1770
	inch	69.7
H4 (mm)	mm	4450
	inch	175.2
H5 (mm)	mm	900
	inch	35.4
H6 (mm)	mm	1400
	inch	55.1
H7 (mm)	mm	846
	inch	33.3
D(mm)	mm	2625
	inch	103.3
D1(mm)	mm	2200
	inch	86.6
D2(mm)	mm	6840
	inch	269.3
D3(mm)	mm	290
	inch	11.4
W1(mm)	mm	2000
	inch	78.7
W3(mm)	mm	900
	inch	35.4
Weight	kg	4000
	lb	8818
Control box size (W×H×D)	mm	1000×1365×290
	inch	39.4×53.7×11.4

- Notes: 1) "●" stands for standard, "○" stands for options, "-" stands for none.
 2) SKD11 is steel grade of Japanese JIS standard.
 3) Maximum output is subject to the diameter and material of screen mesh. For granulating frame and shell material, maximum output will be reduced about 50%.
 4) Noise level varies with different materials and motor type.
 5) Noise level is tested under conditions of 1m/3.3feet around the machine and 1.6m/5.2feet from the ground.
 6) To avoid plastics from sticking to the blades, all materials should be crushed at normal temperature.
 7) Power supply: 3Φ, 230/400/460/575VAC, 50/60Hz.

Shini Group

Addr: No. 23, Minhe St., Shulin Dist.,
New Taipei, Taiwan

Tel: +886 2 2680 9119

Fax: +886 2 2680 9229

Email: shini@shini.com

Factories:

- Taiwan
- Dongguan
- Pinghu
- Ningbo
- Chongqing
- Pune