

## Options



# Options



## Air Filter

Effectively filter 99% of dust-contain air discharged from dryer to avoid air pollution.

Model	Applied to
ADC-1	SHD-12SL
ADC-2	SHD-25~150SL
ADC-3	SHD-200~1000SL

## Blower Inlet Filter



Model	Applied to
AIF-12	SHD-12SL
AIF-25	SHD-25SL
AIF-50	SHD-50SL/75SL
AIF-100	SHD-100SL/150SL
AIF-200	SHD-200~500SL
AIF-600	SHD-600SL
AIF-800	SHD-800~1000SL

Notes: refill air input of the blower is adjustable.

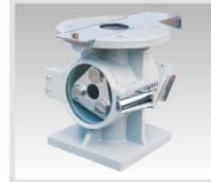
## Hopper Magnet

Absorb metal scraps in the material to avoid the damage of molding screw.



Model	Applied to	Aluminum Holder x2 (mm/inch)
MR-5	SHD-12SL	(148×80×2.3) mm (5.8×3.1×0.1) inch
	SHD-20U	
MR-7	SHD-25SL~75SL	(190×80×2.3) mm (7.5×3.1×0.1) inch
	SHD-40U~120U	
MR-9	SHD-100SL~400SL	(240×80×2.3) mm (9.4×3.1×0.1) inch
	SHD-160U~750U	
MR-11	SHD-600SL and above	(298×80×2.3) mm (11.7×3.1×0.1) inch
	SHD-900U and above	

## Magnetic Base



Made of aluminum with built-in hopper magnet, can effectively separate metal scraps out to avoid material contamination. (MB-400 is standard configuration)

Model	Applied to	Magnetic Frame	Aluminum Holder x2 (mm/inch)
MB-12	SHD-12SL SHD-20U	MR-3	(88.5×78×2.3) mm (3.5×3.0×0.09) inch
MB-20U	SHD-20U		
MB-50	SHD-25SL~75SL SHD-40U~120U		
MB-40U	SHD-40U~120U		
MB-100	SHD-100SL~300SL SHD-160U~450U		
MB-160U	SHD-160U~450U		
MB-400	SHD-400SL and models above		(119×105×2.3)mm (4.7×4.1×0.09) inch
MB-600U	SHD-600U~750U		(147×130×2.3)mm (5.8×5.1×0.09) inch

## Hot Air Recycler



Work with hopper dryer to make the hot air form a semi-closed circulated loop and has features as follows:

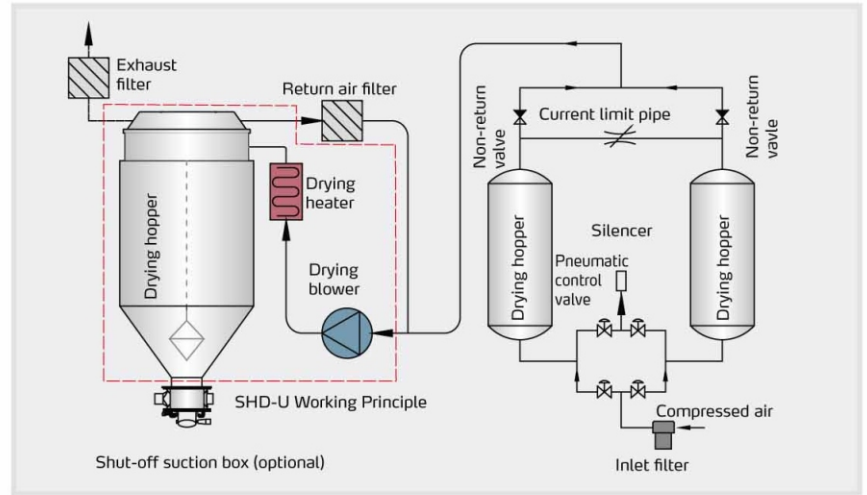
- 1) Hot air recycling and circulating avoids indoor temperature rising up.
- 2) Keep air in factory clean and ensure good product quality.
- 3) Heating by fast hot air circulation can lower energy consumption by 40%.

Model	HAR-12	HAR-25	HAR-50	HAR-100	HAR-200	HAR-600	HAR-800
Filtering Barrel Dia.	mm	157	175	219		245	
	Inch	6.2	6.9	8.6		9.6	
Inlet Air Pipe Dia. (inch)	2	2.5	3			4	
Flange of Air Outlet (inch)							
Applied to	SHD-12SL	SHD-25SL	SHD-50SL /75SL	SHD-100SL /150	SHD-200~ 500SL	SHD- 600SL	SHD-800- 1000SL

### Safety Ladder



For SHD-1500 and above models are available to option with safety ladder.  
Add "ML" at the end of the model code.



### SHD-U-HD Working Principle

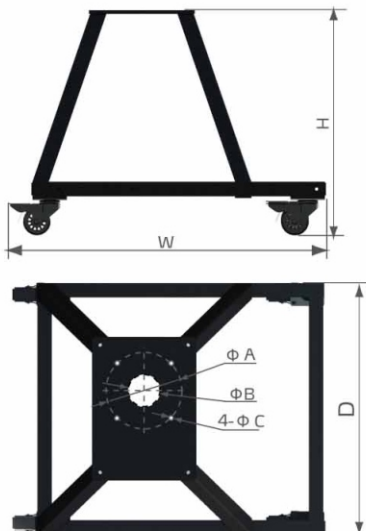
- Optionally equipped with heatless regenerative air dryer, which could offer low dewpoint dry air without heating and speed up the drying of material, Add "HD" at the end of the mode code.
- For models with hopper polished inside, add "P" at the end of the mode code.

### N-Type Floor Stand



With which machines can be easily moved out of workplace which is suitable for the factories with height limited workshops, also it can make operations more convenient.

Model	FSN-50	FSN-100	FSN-200	FSN-400	FSN-800	
Applied to	SHD-12~75SL	SHD-100SL/150SL	SHD-200SL/300SL	SHD-400~600SL	SHD-800SL/1000SL	
Dimension H×W×D	mm	600×700×640	615×800×710	680×1000×840	700×1200×1010	700×1600×1180
	Inch	23.6×27.6×25	24.2×31.5×28	26.8×39.4×33	27.6×47.2×39.8	27.6×63×46.5
A / B / C	mm	140/54/9	210/90/11	260/116/13		
	Inch	5.5/2.1/0.4	8.3/3.5/0.43	10.2/4.6/0.5		



### Floor Stand

Support dryer and hopper loader, easy for installation and transportation.



Applicable to SHD-20U-750U

Model	Applied to	Dimension					
		L		W		H	
		mm	inch	mm	inch	mm	inch
FSU-20	SHD-20U	550	21.7	450	17.7	790	31.1
FSU-40	SHD-40U	580	22.8	450	17.7	790	31.1
FSU-80	SHD-80U/120U	722	28.4	552	21.7	840	33
FSU-160	SHD-160U/230U	795	31.3	652	25.7	920	36.2
FSU-300	SHD-300U/450U	930	36.6	790	31.1	970	38.2
FSU-600	SHD-600U/750U	1200	47.2	1000	39.4	1130	44.5

# Options

## Blower Inlet Filter

Effectively filters 80% of the dust contained in the air to dryer to avoid pollution.



Model	Filter Barrel Dia.		Air Inlet Pipe Dia. (inch)	Air Outlet Pipe Dia. (inch)	Applied to	Fixed Plate	Blower Flange (with Air Quantity Adjustor)
	mm	Inch					
AIF-20U	127	5	1.5	2	SHD-20U	SHD-20U	for 0.12kW Blower
AIF-40U	127	5	1.5	2	SHD-40U	SHD-40U	for 0.12kW Blower
AIF-80U	225	8.9	2	3	SHD-80U/120U	SHD-80U/120U	for 0.12kW Blower
AIF-160U	225	8.9	2.5	3	SHD-160U/230U	SHD-160U/230U	for 0.12kW Blower
AIF-300U	225	8.9	2.5	4	SHD-300U/450U	SHD-300U/450U	for 0.18kW Blower
AIF-600U	225	8.9	3	4	SHD-600U/750U	SHD-600U/750U	for 0.55kW Blower
AIF-900U	225	8.9	4	4	SHD-900U	SHD-900U/1200U	for 0.55kW Blower
AIF-1200U	225	8.9	4	4	SHD-1200U	SHD-900U/1200U	for 1.1kW Blower
AIF-1500U	280	11	5	5	SHD-1500U/2000U	SHD-1500U/2000U	for 3kW Blower
AIF-2500U	340	13.4	6	6	SHD-2500U/3500U	SHD-2500U/3500U	for 5.5/7.5kW Blower
AIF-4000U	340	13.4	8	8	SHD-4000U/5000U	SHD-4000U/5000U	for 7.5/11kW Blower
AIF-6000U	420	16.5	8	8	SHD-6000U/7000U	SHD-6000U/7000U	for 15/18.5kW Blower
AIF-8000U	420	16.5	10	10	SHD-8000U	SHD-8000U	for 22kW Blower

## Hot Air Recycler

Work with hopper dryer to make hot air form a semi closed circulated loop, it has features as follows:

Hot air recycling and circulating to avoid indoor temp. rising up; Keep air in factory clean and ensure product quality; Save energy consumption up to 40% due to heat brought from hot air recycling; Economical and compact design make it suitable for all hopper dryers; Air supply is adjustable.



Model	Filter Barrel Dia.		Air Inlet Pipe Dia. (inch)	Air Outlet Pipe Dia. (inch)	Applied to	Fixed Plate	Blower Flange (with Air Quantity Adjustor)
	mm	Inch					
HAR-20U	127	5	1.5	2	SHD-20U	SHD-20U	for 0.12kW Blower
HAR-40U	127	5	1.5	2	SHD-40U	SHD-40U	for 0.12kW Blower
HAR-80U	225	8.9	2	3	SHD-80U / 120U	SHD-80U / 120U	for 0.12kW Blower
HAR-160U	225	8.9	2.5	3	SHD-160U / 230U	SHD-160U / 230U	for 0.12kW Blower
HAR-300U	225	8.9	2.5	4	SHD-300U / 450U	SHD-300U / 450U	for 0.18kW Blower
HAR-600U	225	8.9	3	4	SHD-600U / 750U	SHD-600U / 750U	for 0.55kW Blower
HAR-900U	225	8.9	4	4	SHD-900U	SHD-900U / 1200U	for 0.55kW Blower
HAR-1200U	225	8.9	4	4	SHD-1200U	SHD-900U / 1200U	for 1.1kW Blower
HAR-1500U	280	11	5	5	SHD-1500U/2000U	SHD-1500U/2000U	for 3kW Blower
HAR-2500U	340	13.4	6	6	SHD-2500U/3500U	SHD-2500U/3500U	for 5.5/7.5kW Blower
HAR-4000U	340	13.4	8	8	SHD-4000U/5000U	SHD-4000U/5000U	for 7.5/11kW Blower
HAR-6000U	420	16.5	8	8	SHD-6000U/7000U	SHD-6000U/7000U	for 15/18.5kW Blower
HAR-8000U	420	16.5	10	10	SHD-8000U	SHD-8000U	for 22kW Blower

### Exhaust Air Filter

Effectively filters 90% of the dust contained in the air from dryer to avoid pollution.



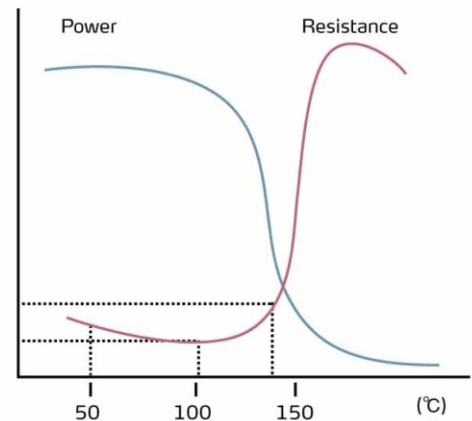
Model	Filter Barrel Dia.		Air Inlet Pipe Dia. (inch)	Air Outlet Pipe Dia. (inch)	Applied to	Fixed Plate
	mm	Inch				
ADC-20U	127	5	1.5	2	SHD-20U	SHD-20U
ADC-40U	127	5	1.5	2	SHD-40U	SHD-40U
ADC-80U	225	8.9	2	3	SHD-80U/120U	SHD-80U/120U
ADC-160U	225	8.9	2.5	3	SHD-160U/230U	SHD-160U/230U
ADC-300U	225	8.9	2.5	4	SHD-300U/450U	SHD-300U/450U
ADC-600U	225	8.9	3	4	SHD-600U/750U	SHD-600U/750U
ADC-900U	225	8.9	4	4	SHD-900U/1200U	SHD-900U/1200U
ADC-1500U	280	11	5	5	SHD-1500U/2000U	SHD-1500U/2000U
ADC-2500U	340	13.4	6	6	SHD-2500U/3500U	SHD-2500U/3500U
ADC-4000U	340	13.4	8	8	SHD-4000U/5000U	SHD-4000U/5000U
ADC-6000U	420	16.5	8	8	SHD-6000U/7000U	SHD-6000U/7000U
ADC-8000U	420	16.5	10	10	SHD-8000U	SHD-8000U

### Energy-saving Heater

The energy-saving heater uses a special made resistance to heat up. When the heating temperature reaches to a critical value, the resistance value will go up rapidly, sometimes even increase by several orders of magnitude. Consequently, the current going through the heater will rapidly decrease, which actually makes the power reduce to make its temperature not go up any more and keep it in a certain temperature. add "EH" at the end of the model code.



SHD-EH



- Adopt double-layer heat insulated hopper, add "I" at the end of the model code.
- Adopt European safety circuit, add "CE" at the end of the model code.
- Optional with high-temp. model reaching 180°C, add "H" at the end of the model code. (Only for SHD-12SL~SHD-200SL)

## Shini Group

Addr: No. 23, Minhe St., Shulin Dist.,  
New Taipei, Taiwan

Tel: +886 2 2680 9119

Fax: +886 2 2680 9229

Email: [shini@shini.com](mailto:shini@shini.com)

### Factories:

- Taiwan
- Dongguan
- Pinghu
- Ningbo
- Chongqing
- Pune

2016-12-15-04 Copyrights Reserved.

[www.shini.com](http://www.shini.com)